



US00D871306S

(12) **United States Design Patent** (10) **Patent No.:** **US D871,306 S**
Ward (45) **Date of Patent:** **** Dec. 31, 2019**

(54) **BUMPER TAB REPAIR BRACKET**
(71) Applicant: **Chris Ward**, Bothell, WA (US)
(72) Inventor: **Chris Ward**, Bothell, WA (US)
(**) Term: **15 Years**
(21) Appl. No.: **29/633,289**
(22) Filed: **Jan. 12, 2018**
(51) **LOC (12) Cl.** **12-16**
(52) **U.S. Cl.**
USPC **D12/223**
(58) **Field of Classification Search**
USPC D12/16, 17, 18, 19, 20, 105, 349, 354,
D12/363, 366, 367, 370-377, 380-382;
D23/223, 420
CPC B60R 19/24; B60R 2019/245
See application file for complete search history.

D585,356 S * 1/2009 Gillan D12/223
D702,596 S * 4/2014 Ciloglu D12/51
D712,816 S * 9/2014 Maholick D12/223
D729,133 S * 5/2015 McGaughy D12/159
D772,774 S * 11/2016 Yuan D12/223
D816,548 S * 5/2018 Soylemez D12/51
D823,195 S * 7/2018 Dagrossa D12/171
2018/0244224 A1* 8/2018 Job B60R 19/24
2019/0039542 A1* 2/2019 Du B60R 19/24

* cited by examiner

Primary Examiner — Darlington Ly
(74) *Attorney, Agent, or Firm* — Seattle Patent Group LLC

(56) **References Cited**

U.S. PATENT DOCUMENTS

D297,411 S * 8/1988 Angel D12/223
4,934,546 A * 6/1990 Markley B65D 41/485
215/256
D401,211 S * 11/1998 Simpson D12/223
6,119,306 A * 9/2000 Antonucci E05F 5/022
16/86 A
D521,439 S * 5/2006 Chapman D12/223
D564,419 S * 3/2008 Clontz D12/114

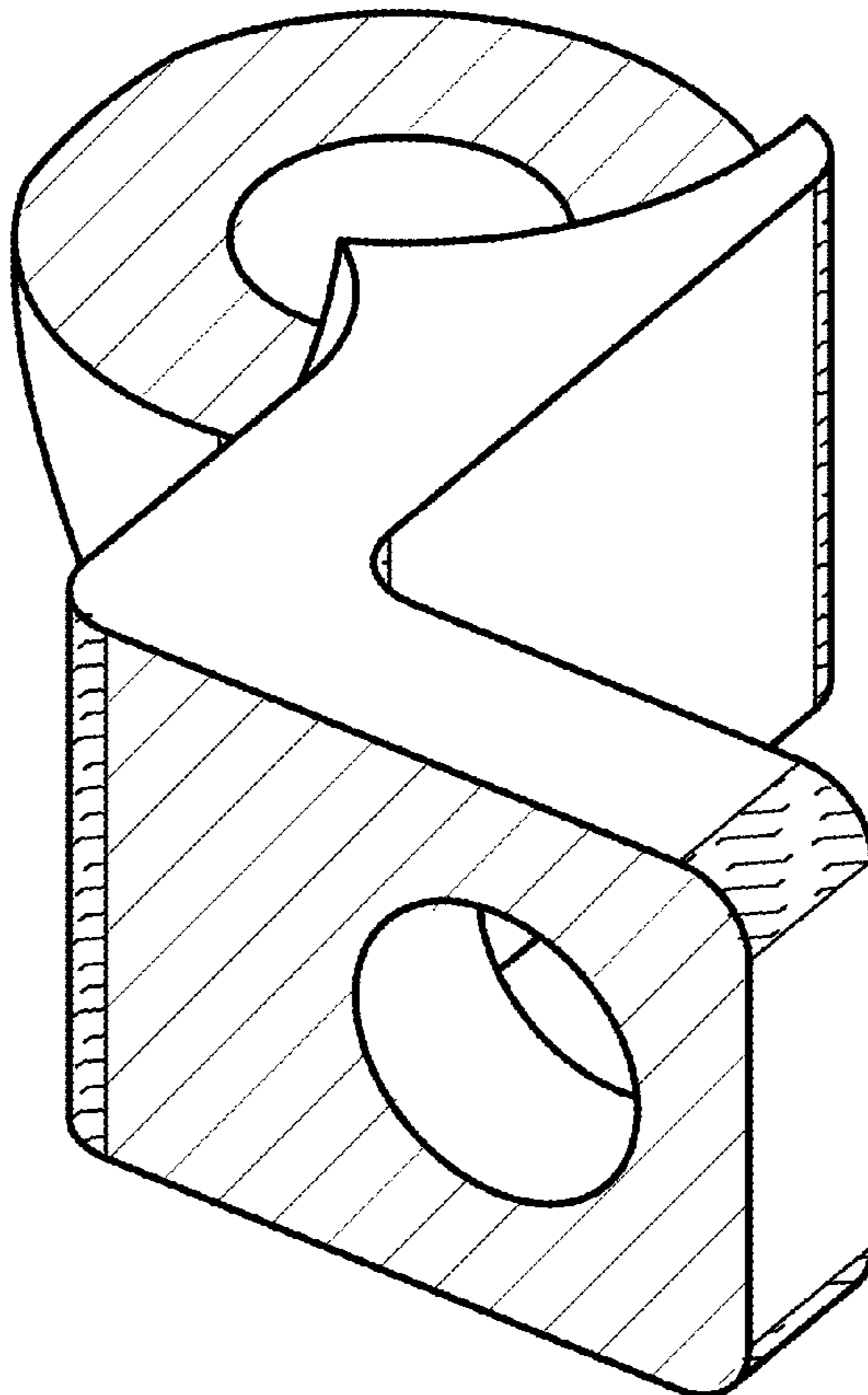
(57) **CLAIM**

I claim the ornamental design for a bumper tab repair bracket, as shown and described.

DESCRIPTION

FIG. 1 is a left side elevation view of a bumper tab repair bracket showing my new design;
FIG. 2 is a top plan view thereof;
FIG. 3 is a rear elevation view thereof;
FIG. 4 is a front elevation view thereof; and,
FIG. 5 is a perspective view thereof.

1 Claim, 5 Drawing Sheets



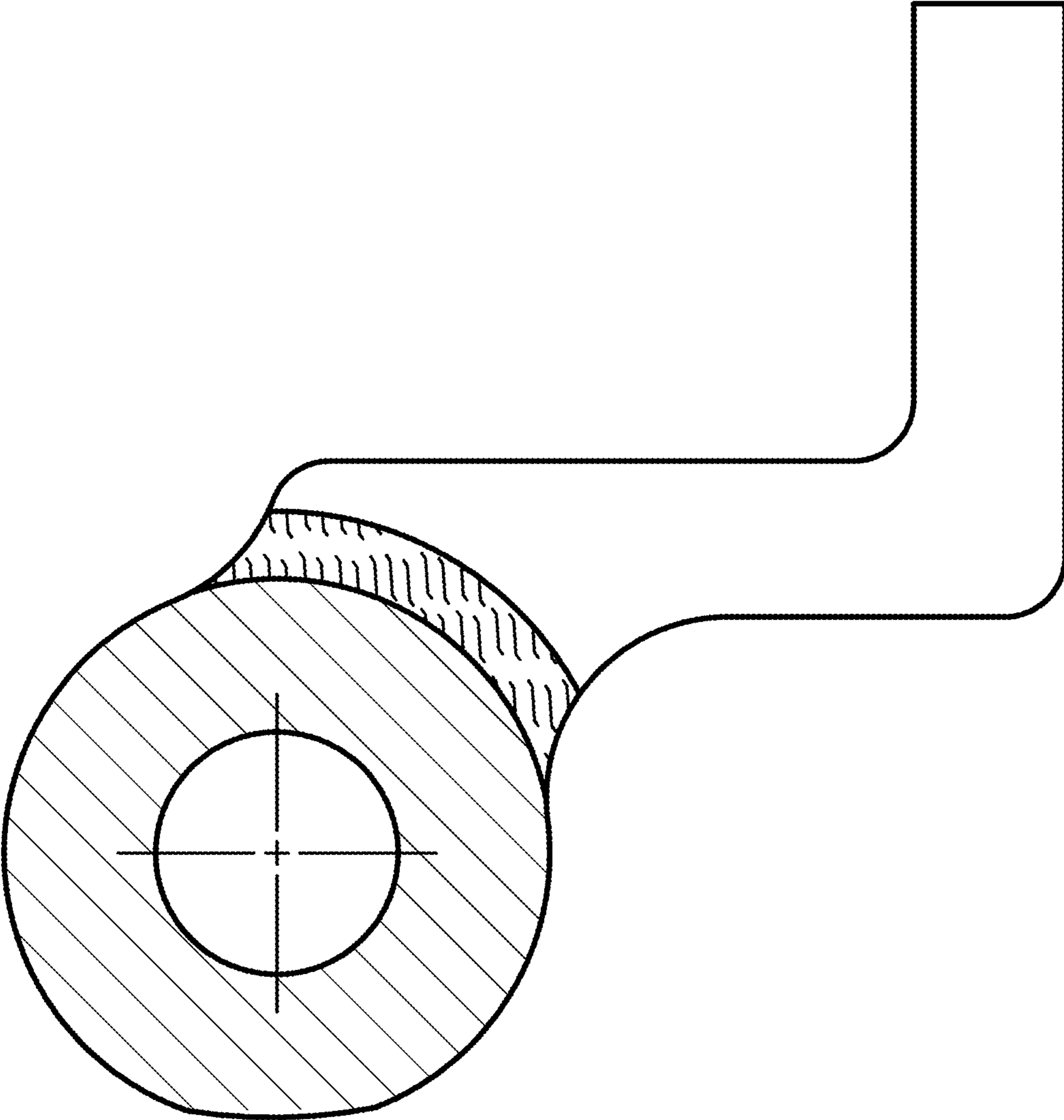


Figure 1

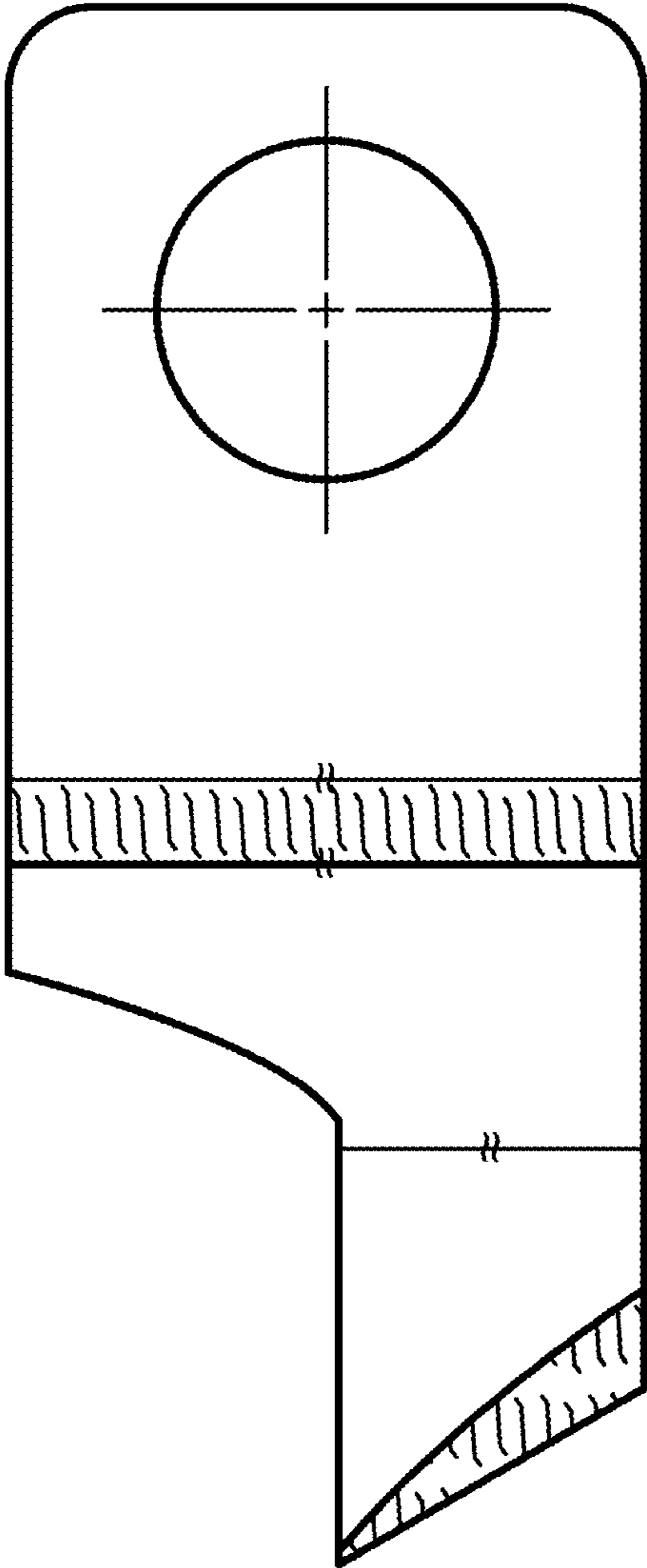


Figure 2

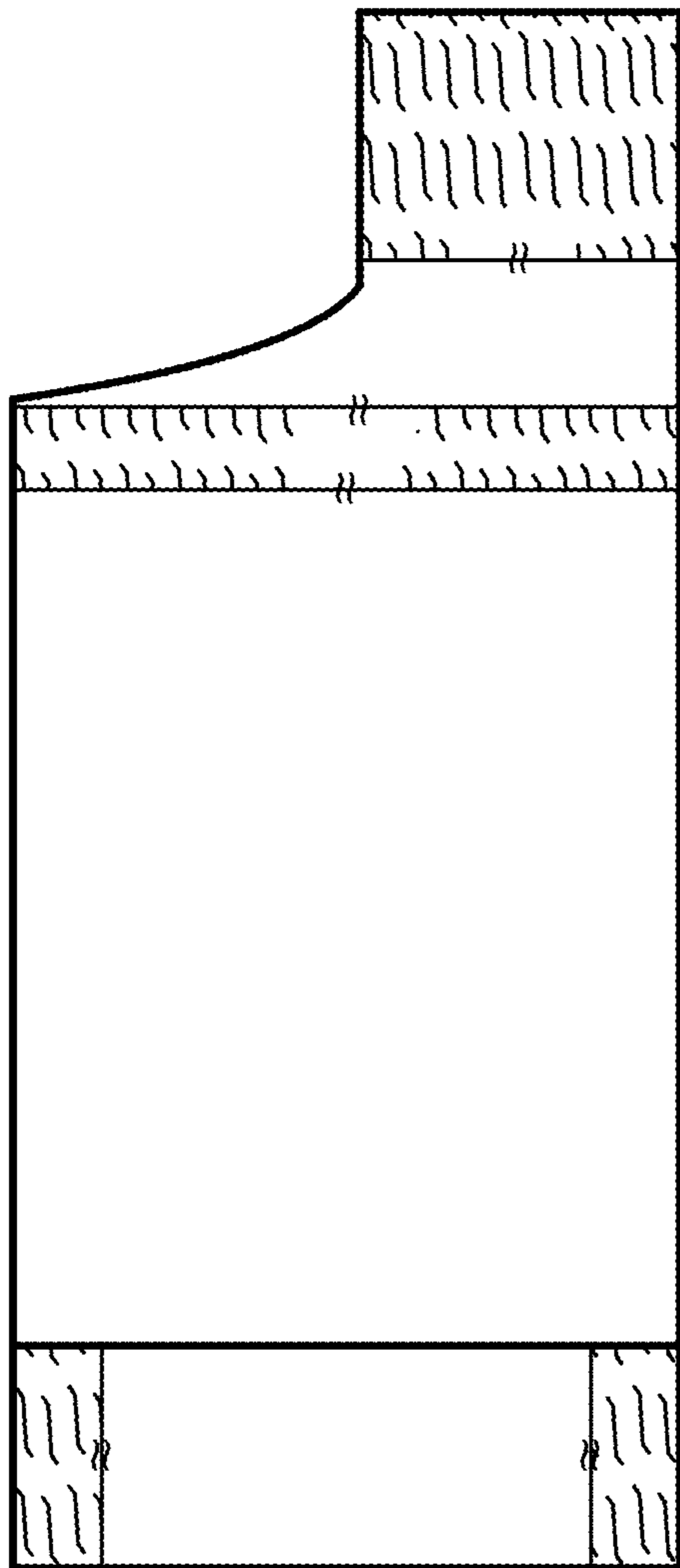


Figure 3

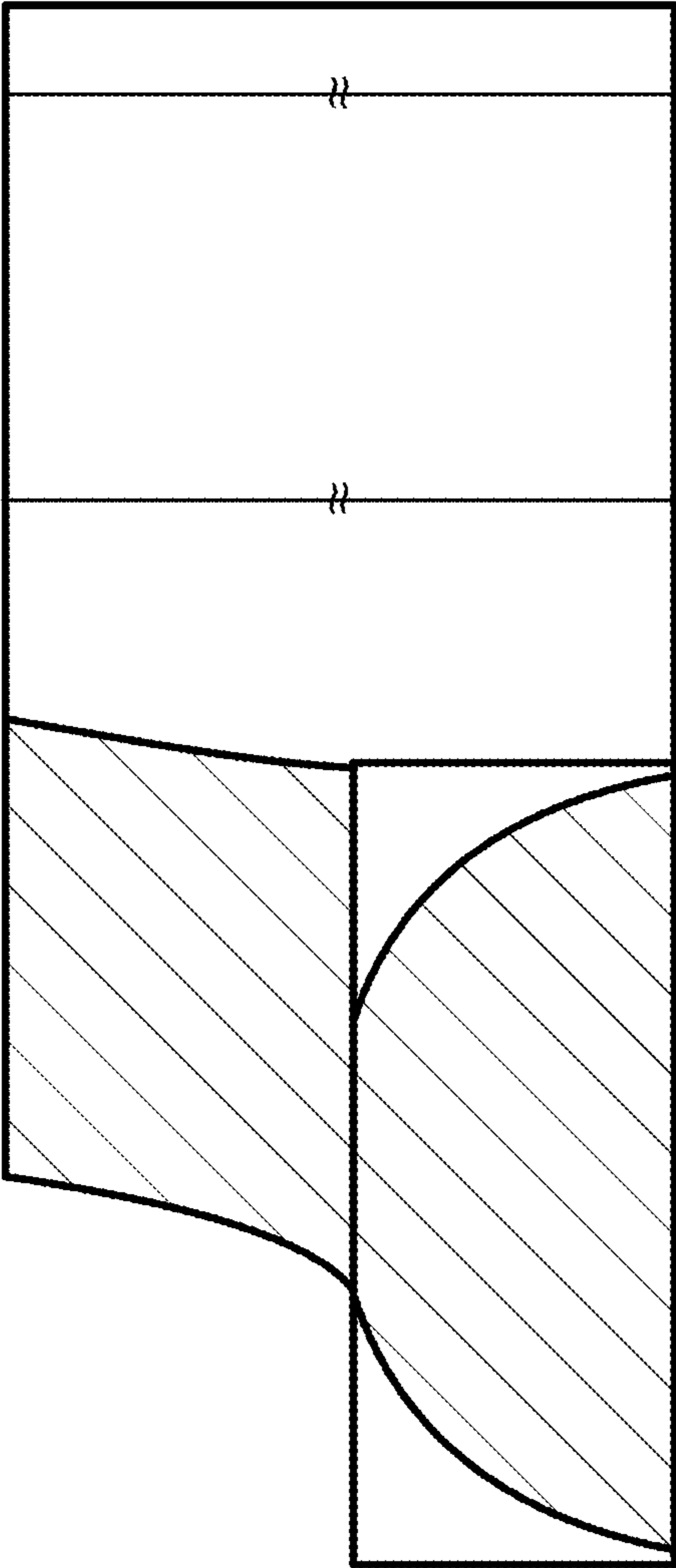


Figure 4

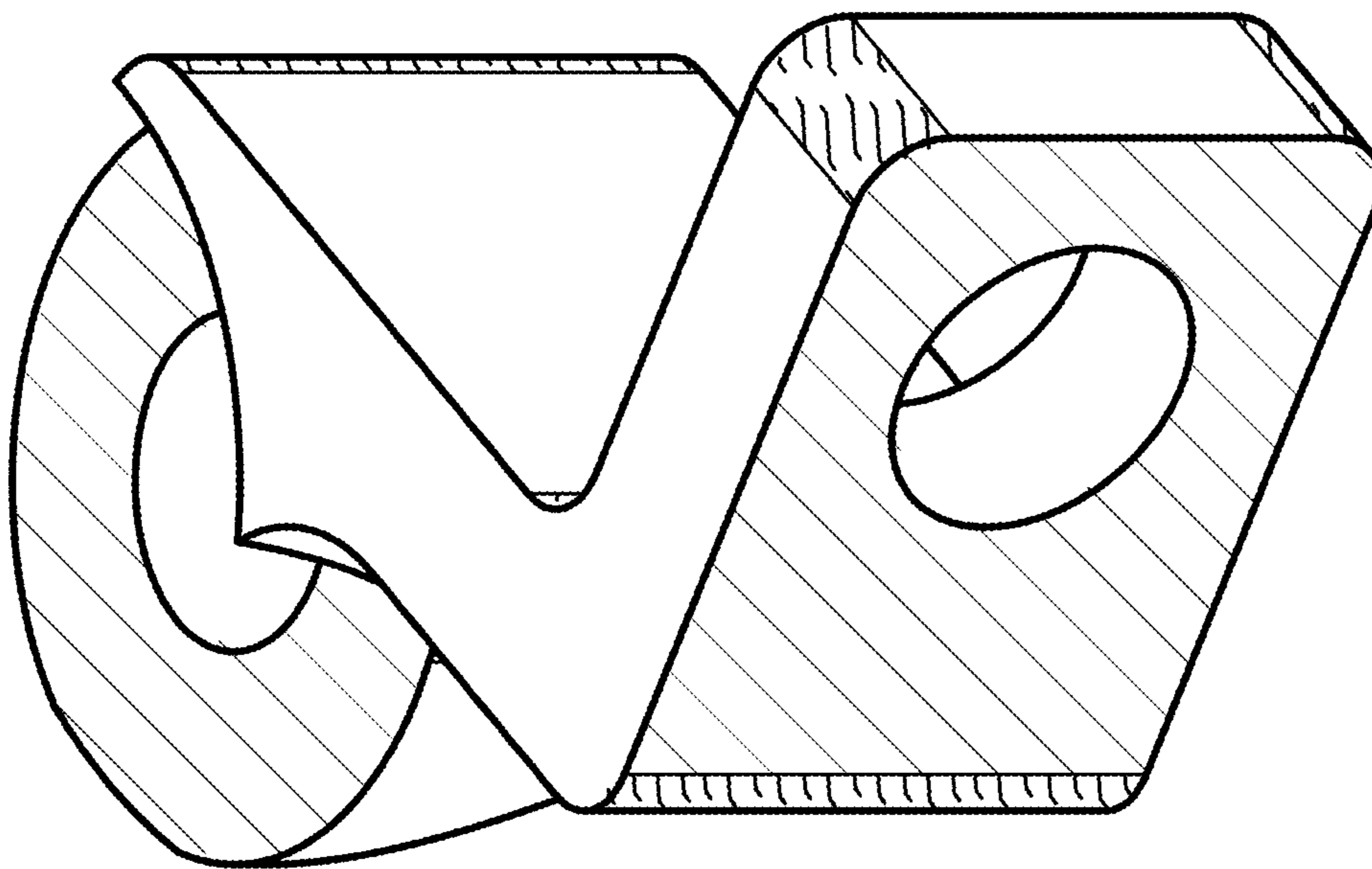


Figure 5