



US00D871304S

(12) **United States Design Patent**
Pritchard

(10) **Patent No.:** **US D871,304 S**

(45) **Date of Patent:** **** Dec. 31, 2019**

(54) **PROTECTIVE WHEEL SPRAY SHIELD**

(71) Applicant: **Shawn Pritchard**, Templeton, MA (US)

(72) Inventor: **Shawn Pritchard**, Templeton, MA (US)

(**) Term: **15 Years**

(21) Appl. No.: **29/672,232**

(22) Filed: **Dec. 4, 2018**

(51) **LOC (12) Cl.** **12-16**

(52) **U.S. Cl.**
USPC **D12/213**

(58) **Field of Classification Search**
USPC D12/204-213
CPC B60B 7/00; B60B 7/02; B60B 7/04; B60B 7/01; B60B 7/06; B60B 3/02; B60B 3/04; B60B 3/06; B60B 3/10; B60B 1/00; B60B 1/08; B60B 1/10; B60B 1/12
See application file for complete search history.

(56) **References Cited**

U.S. PATENT DOCUMENTS

2,627,839	A	2/1953	Hudgins	
4,784,440	A	11/1988	Fair	
4,811,991	A	3/1989	Moreno	
D305,635	S *	1/1990	Pope	D12/213
5,423,599	A *	6/1995	Sherod	B60B 7/00 301/37.103
D377,332	S *	1/1997	Cruz, III	D12/213
D402,614	S *	12/1998	Martinez	D12/213
D418,102	S	12/1999	Schehr	
D463,351	S *	9/2002	Lewis	D12/213
D477,802	S	7/2003	Williams	
D479,179	S *	9/2003	Lian	D12/213
D486,438	S *	2/2004	Tuck	D12/213
D491,874	S *	6/2004	Cook	D12/213
D504,652	S *	5/2005	Woodberry	D12/213
D515,005	S *	2/2006	Oatis	D12/213

D524,221	S *	7/2006	Jones	D12/213
D528,963	S *	9/2006	Horn	D12/213
D534,853	S *	1/2007	Apodaca	D12/213
D537,401	S *	2/2007	Jones	D12/213
D540,242	S *	4/2007	Holguin	D12/213
D560,153	S *	1/2008	Zane	D12/213
D569,324	S *	5/2008	Gosnell	D12/213
7,448,694	B1 *	11/2008	Bentley	B60B 7/04 118/504
D632,628	S *	2/2011	Mitchell, Jr.	D12/213
D647,023	S *	10/2011	Warner	D12/213
D659,629	S *	5/2012	Williams	D12/213
D668,201	S *	10/2012	Zumhof	D12/213
D683,690	S *	6/2013	Zumhof	D12/213
8,496,300	B2 *	7/2013	Nebel	B60B 7/02 301/37.103

(Continued)

FOREIGN PATENT DOCUMENTS

WO 2013019802 2/2013

Primary Examiner — Stacia A Cadmus

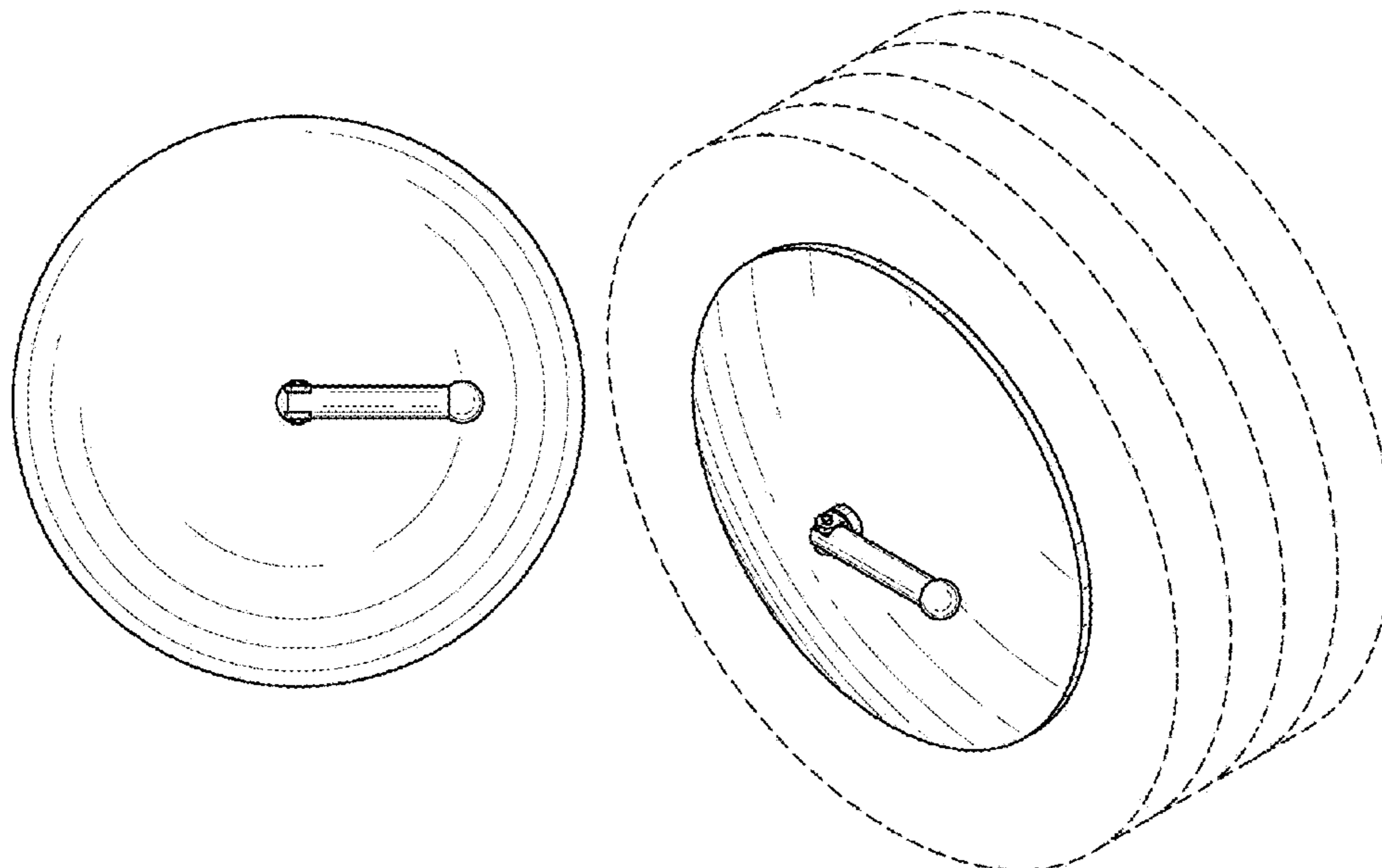
(57) **CLAIM**

I claim the ornamental design for a protective wheel spray shield, as shown and described.

DESCRIPTION

FIG. 1 is a front view of the protective wheel spray shield. FIG. 2 is a rear view thereof; FIG. 3 is a right side view thereof; FIG. 4 is a left side view thereof; FIG. 5 is a top view thereof; FIG. 6 is a bottom view thereof; FIG. 7 is a rear perspective view thereof; and, FIG. 8 is a front perspective view of the wheel spray shield in its position of use. In the drawings the broken lines depict environmental subject matter and form no part of the claimed design.

1 Claim, 4 Drawing Sheets



(56)

References Cited

U.S. PATENT DOCUMENTS

8,556,351	B1	10/2013	Uhlin	
D720,277	S *	12/2014	Dakin	D12/213
D796,412	S *	9/2017	Aker, Jr.	D12/213
D826,829	S *	8/2018	Floyd, Sr.	D12/213
D844,524	S *	4/2019	Fleck	D12/204
2007/0085412	A1	4/2007	Saulnier	
2008/0024002	A1	1/2008	Guthrie	
2015/0238990	A1	8/2015	Bartoli	

* cited by examiner

FIG. 1

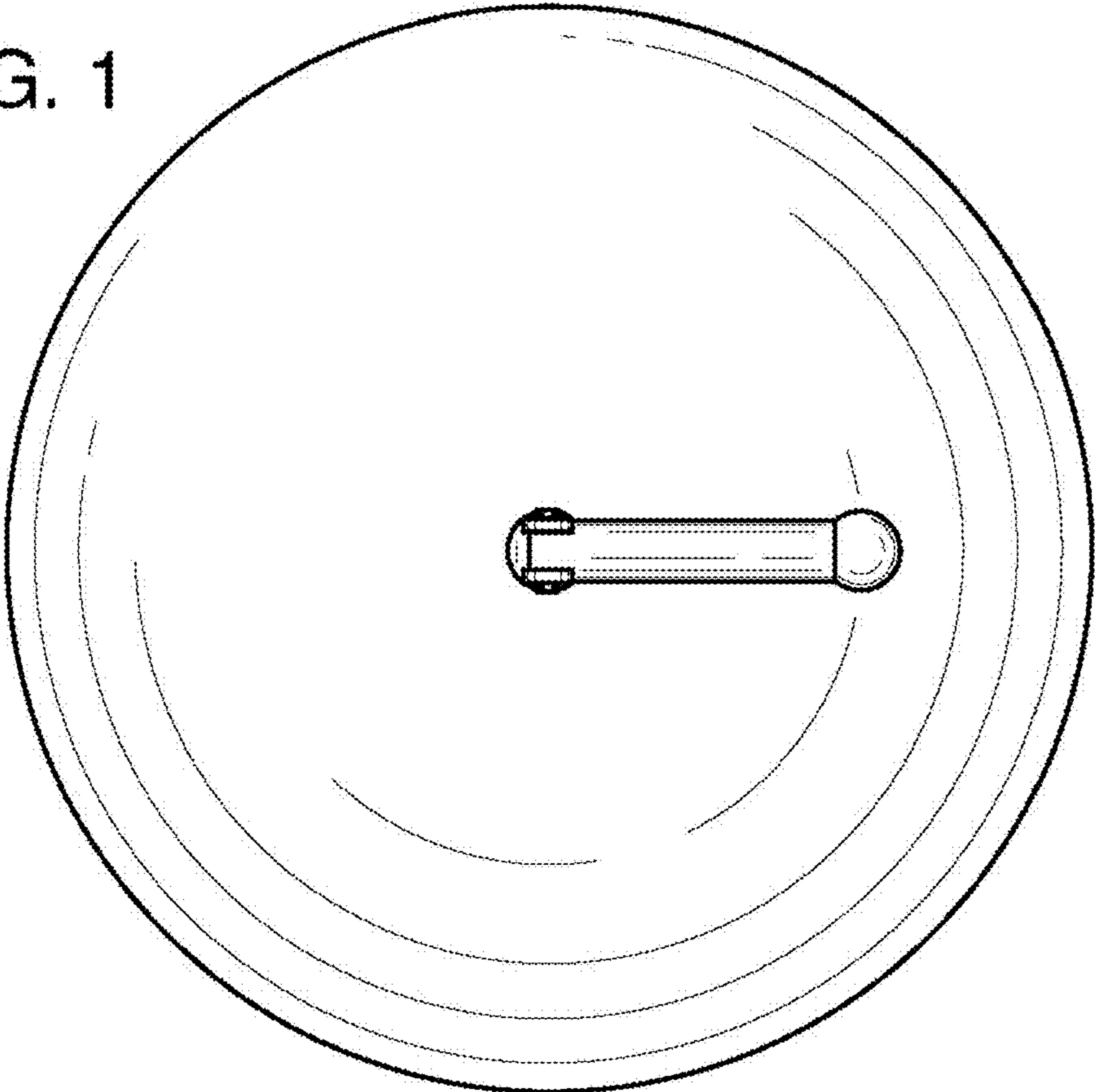


FIG. 2

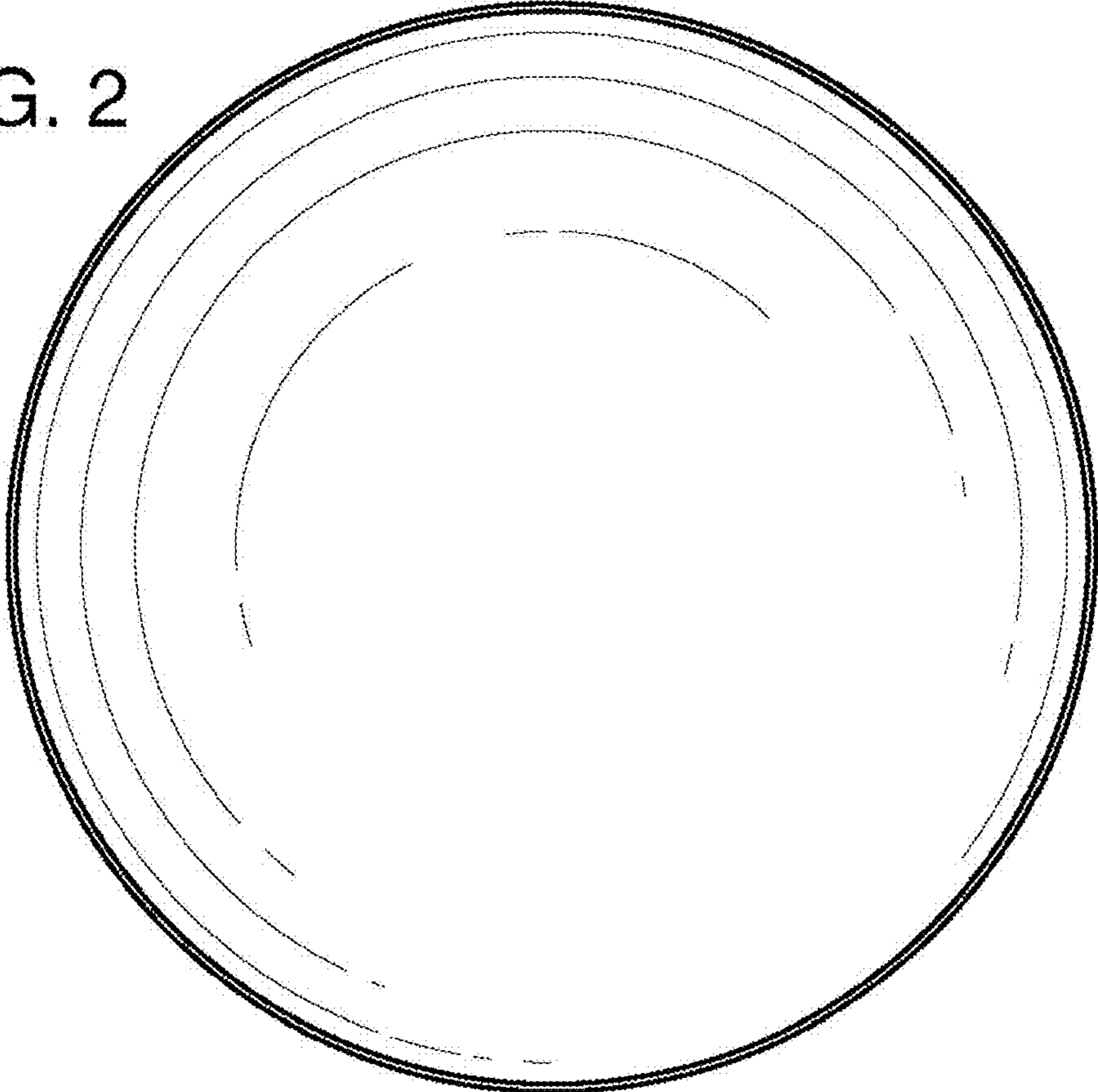


FIG. 3

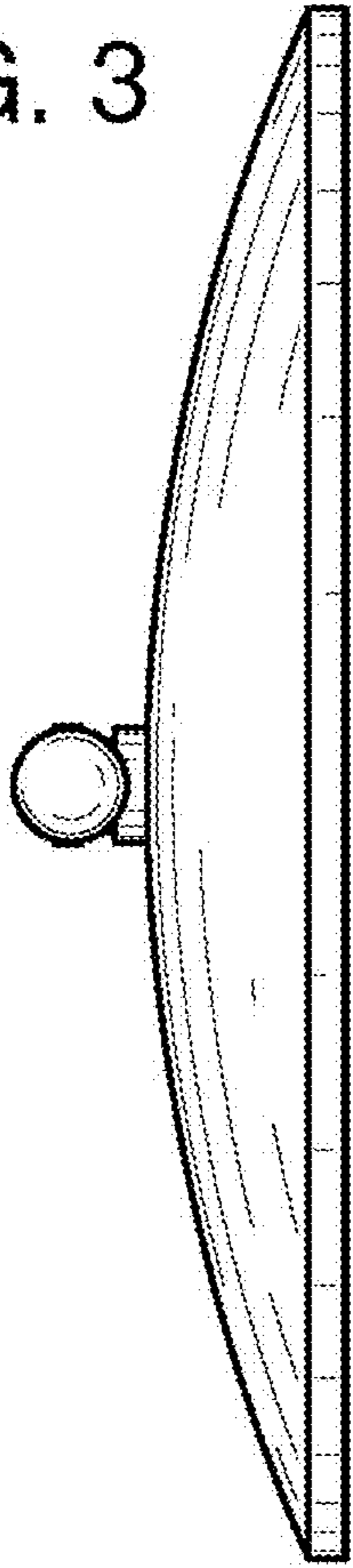


FIG. 4

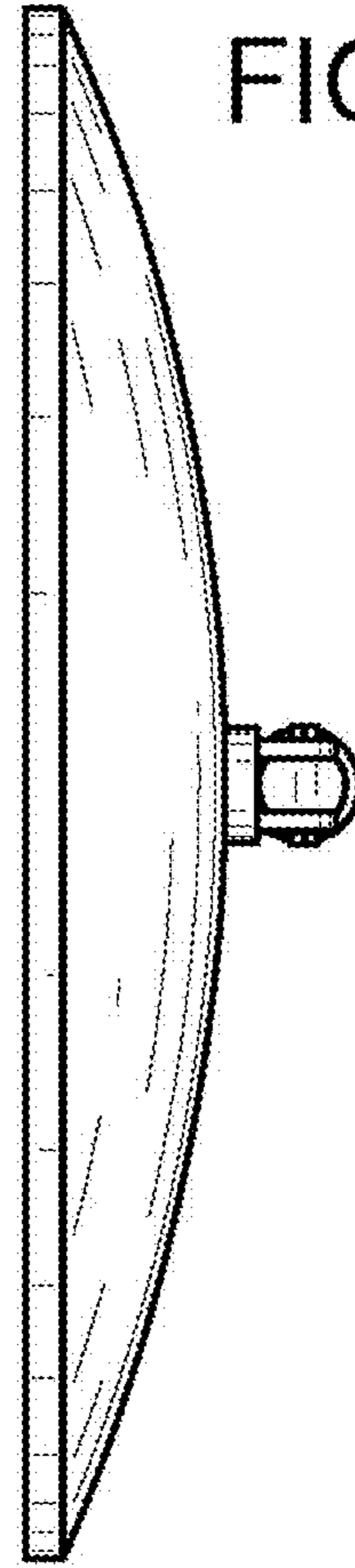


FIG. 5

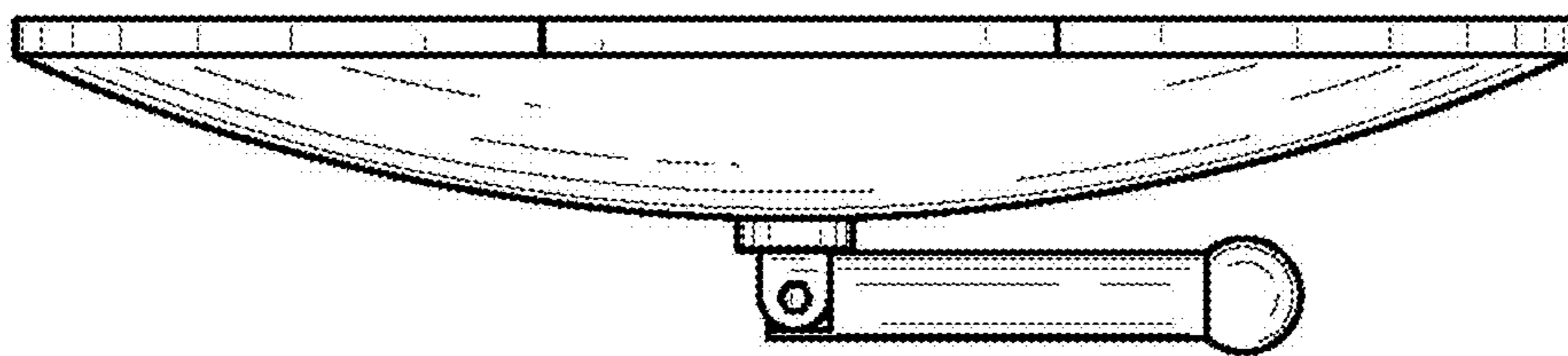


FIG. 6

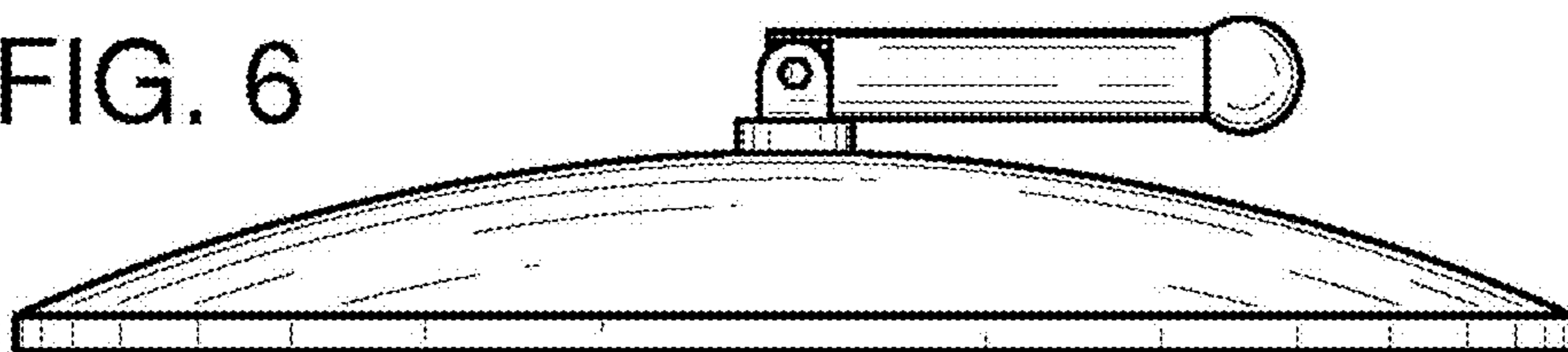


FIG. 7

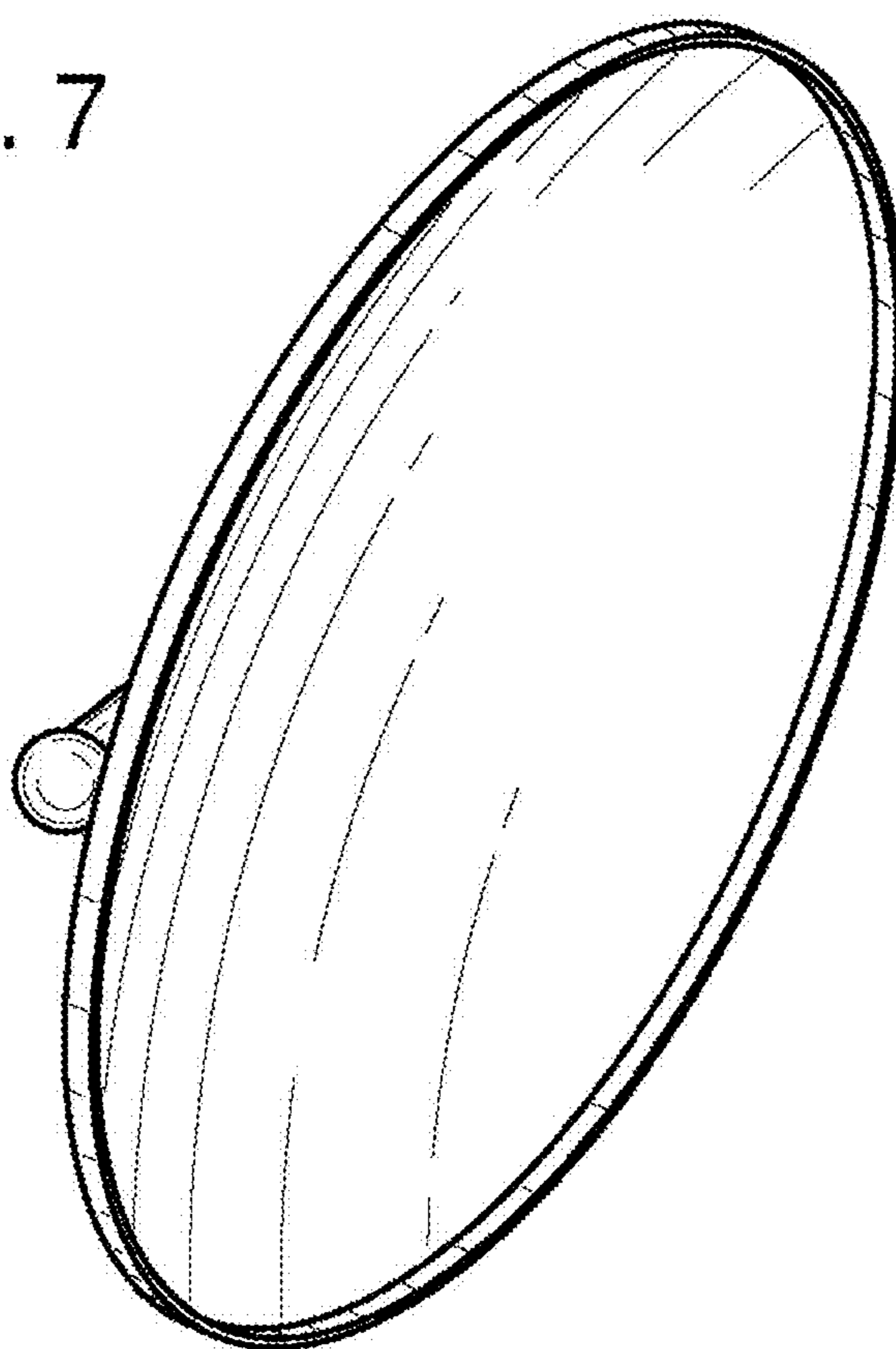


FIG. 8

