



US00D871302S

(12) **United States Design Patent**  
**Han**

(10) **Patent No.:** **US D871,302 S**

(45) **Date of Patent:** **\*\* Dec. 31, 2019**

(54) **AUTOMOTIVE WHEEL**

(71) Applicant: **Donnie Han**, Corona, CA (US)

(72) Inventor: **Donnie Han**, Corona, CA (US)

(\*\*) Term: **15 Years**

(21) Appl. No.: **29/667,487**

(22) Filed: **Oct. 22, 2018**

(51) **LOC (12) Cl.** ..... **12-16**

(52) **U.S. Cl.**

USPC ..... **D12/209**

(58) **Field of Classification Search**

USPC ..... D12/204–213

CPC .... B60B 7/00; B60B 7/02; B60B 7/04; B60B

7/01; B60B 7/06; B60B 3/02; B60B 3/04;

B60B 3/10; B60B 1/00; B60B 1/08;

B60B 1/10; B60B 1/12

See application file for complete search history.

(56) **References Cited**

**U.S. PATENT DOCUMENTS**

D430,842 S *	9/2000	Chinellato	.....	D12/209
D436,338 S *	1/2001	Hussaini	.....	D12/209
D568,227 S *	5/2008	Bogani	.....	D12/213
D673,493 S *	1/2013	Lemke	.....	D12/209
D695,195 S *	12/2013	Chung	.....	D12/211
D695,669 S *	12/2013	Pollmann	.....	D12/209
D695,670 S *	12/2013	De Bono	.....	D12/209
D702,173 S *	4/2014	Perini	.....	D12/211

D725,568 S *	3/2015	Hodges	.....	D12/209
D725,569 S *	3/2015	Komukai	.....	D12/209
D740,196 S *	10/2015	Valencia Pollex	.....	D12/209
D751,485 S *	3/2016	Chung	.....	D12/209
D753,045 S *	4/2016	Kawaguchi	.....	D12/209
D754,048 S *	4/2016	Starr, Jr.	.....	D12/209
D788,673 S *	6/2017	Krause	.....	D12/209
D830,938 S *	10/2018	Hodges	.....	D12/211
D838,650 S *	1/2019	Han	.....	D12/209
D842,191 S *	3/2019	Han	.....	D12/209
D842,198 S *	3/2019	Han	.....	D12/209
D842,797 S *	3/2019	Han	.....	D12/213
D845,855 S *	4/2019	Chung	.....	D12/209
D845,856 S *	4/2019	Hale, Jr.	.....	D12/209
D846,478 S *	4/2019	Kovacs	.....	D12/209
D847,063 S *	4/2019	Kikuchi	.....	D12/209
D848,344 S *	5/2019	Juergens	.....	D12/209
D850,348 S *	6/2019	Smith	.....	D12/209

\* cited by examiner

*Primary Examiner* — Stacia A Cadmus

(57) **CLAIM**

The ornamental design for an automotive wheel, as shown and described.

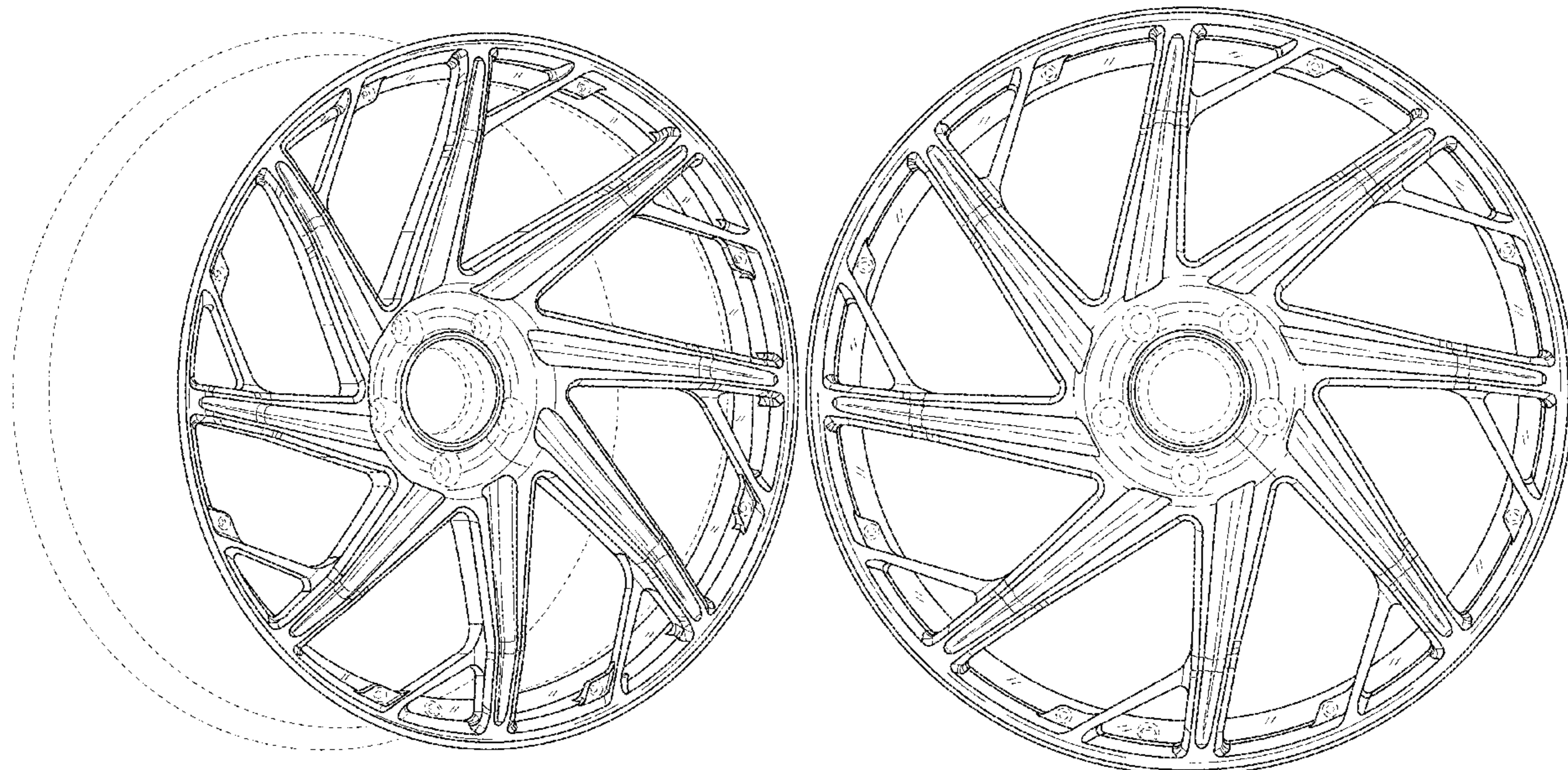
**DESCRIPTION**

FIG. 1 is a perspective view of an automotive wheel showing my new design; and,

FIG. 2 is a front view thereof.

In the drawings, the broken lines depict environmental subject matter and form no part of the claimed design.

**1 Claim, 2 Drawing Sheets**



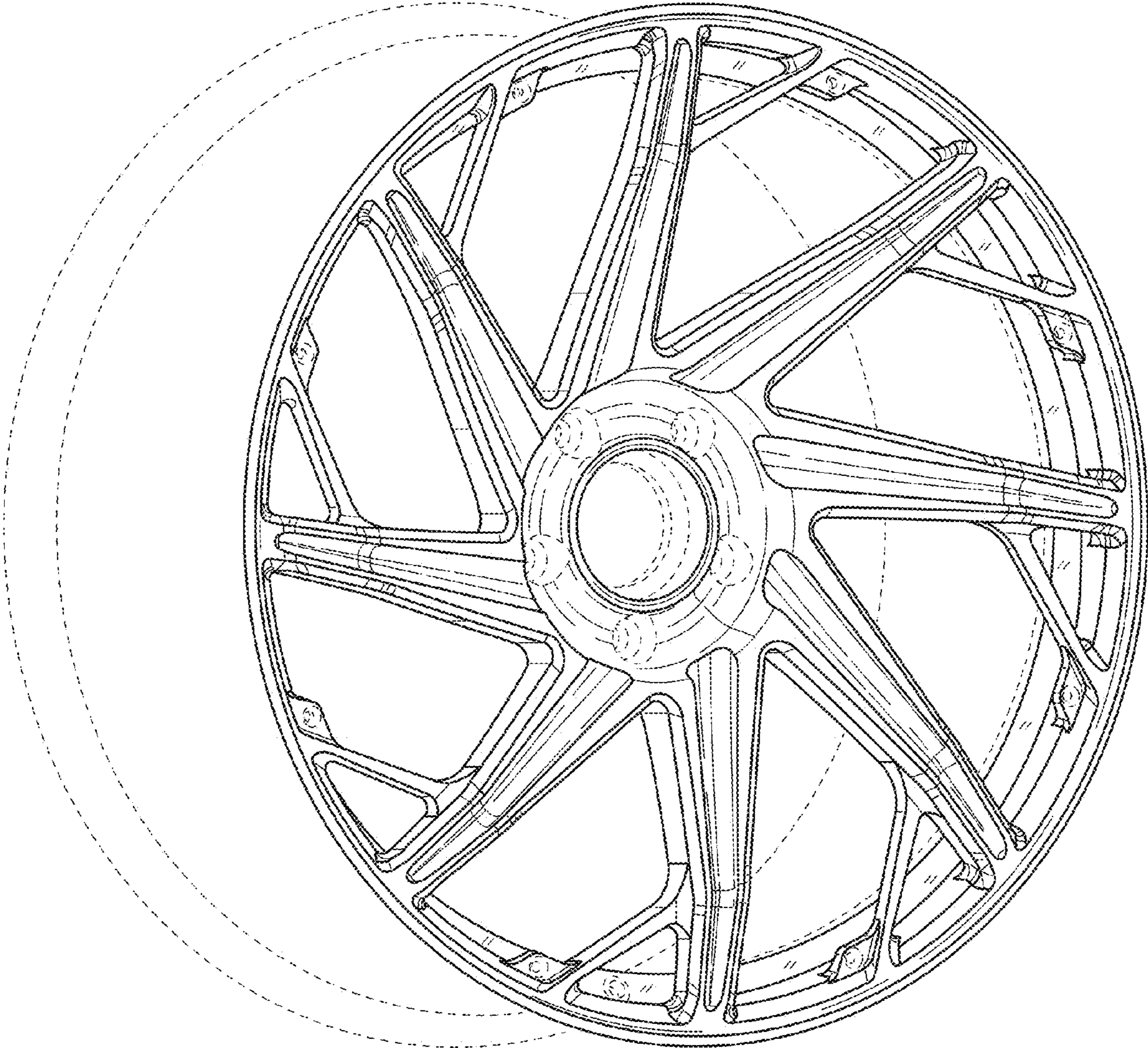


FIGURE 1

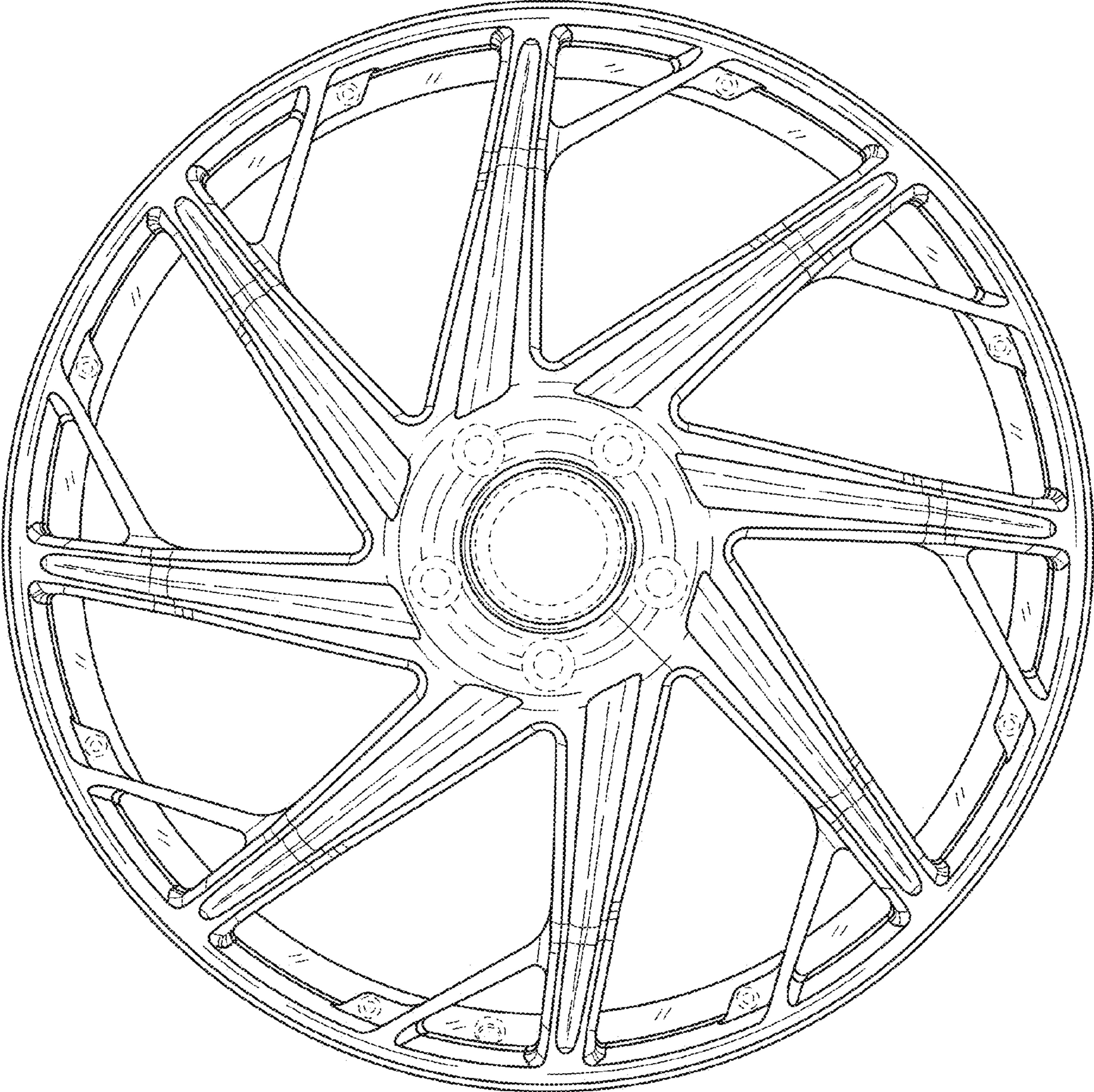


FIGURE 2