

US00D871298S

(12) **United States Design Patent** (10) **Patent No.:** **US D871,298 S**
Myrberg (45) **Date of Patent:** **** Dec. 31, 2019**

(54) **VEHICLE WHEEL**

CPC B60B 7/0013; B60B 7/04; B60B 2320/50;
B60B 25/00; B60B 2900/572; B60B 7/01;
B60B 7/063; B60B 7/066

(71) Applicant: **Volvo Car Corporation**, Gothenburg
(SE)

See application file for complete search history.

(72) Inventor: **Anders Myrberg**, Askim (SE)

(56) **References Cited**

(73) Assignee: **VOLVO CAR CORPORATION**,
Gothenburg (SE)

U.S. PATENT DOCUMENTS

(**) Term: **15 Years**

D783,492 S *	4/2017	Valencia Pollex	D12/209
D788,010 S *	5/2017	Koenigs	D12/211
D788,681 S *	6/2017	Juergens	D12/211
D793,319 S *	8/2017	Namba	D12/209
D834,489 S *	11/2018	Sempek	D12/211
D836,526 S *	12/2018	Skelley	D12/211
D843,909 S *	3/2019	Gregory	D12/209
D853,302 S *	7/2019	Khachatryan	D12/209
D854,485 S *	7/2019	Rueckheim	D12/211

(21) Appl. No.: **29/650,428**

(22) Filed: **Jun. 6, 2018**

Related U.S. Application Data

(63) Continuation of application No. 35/504,138, filed on
Oct. 17, 2017 (U.S. filing date under 35 U.S.C. 384),
and having an international filing date of Oct. 17,
2017, now Pat. No. Des. 833,362.

* cited by examiner

Primary Examiner — Michael A. Pratt

(74) *Attorney, Agent, or Firm* — Snyder, Clark, Lesch &
Chung, LLP

(30) **Foreign Application Priority Data**

May 11, 2017	(EM)	003994797-0001
May 11, 2017	(EM)	003994797-0002
May 11, 2017	(EM)	003994797-0003
May 11, 2017	(EM)	003994797-0004
May 11, 2017	(EM)	003994797-0005
May 11, 2017	(EM)	003994797-0006
May 11, 2017	(EM)	003994797-0007
May 11, 2017	(EM)	003994797-0008

(57) **CLAIM**

The ornamental design for a vehicle wheel, as shown and
described.

(51) **LOC (12) Cl.** **12-16**

(52) **U.S. Cl.**
USPC **D12/209**; D12/211

DESCRIPTION

FIG. 1 is a front elevation view of a vehicle wheel illustrat-
ing the design of the present invention;
FIG. 2 is a front and left side perspective view thereof;
FIG. 3 is a front and right side perspective view thereof;
FIG. 4 is a rear elevation view thereof;
FIG. 5 is a right side elevation view thereof;
FIG. 6 is a left side elevation view thereof;
FIG. 7 is a top plan view thereof; and,
FIG. 8 is a bottom plan view thereof.

(58) **Field of Classification Search**
USPC D12/204, 206, 208, 209, 211, 501

1 Claim, 8 Drawing Sheets

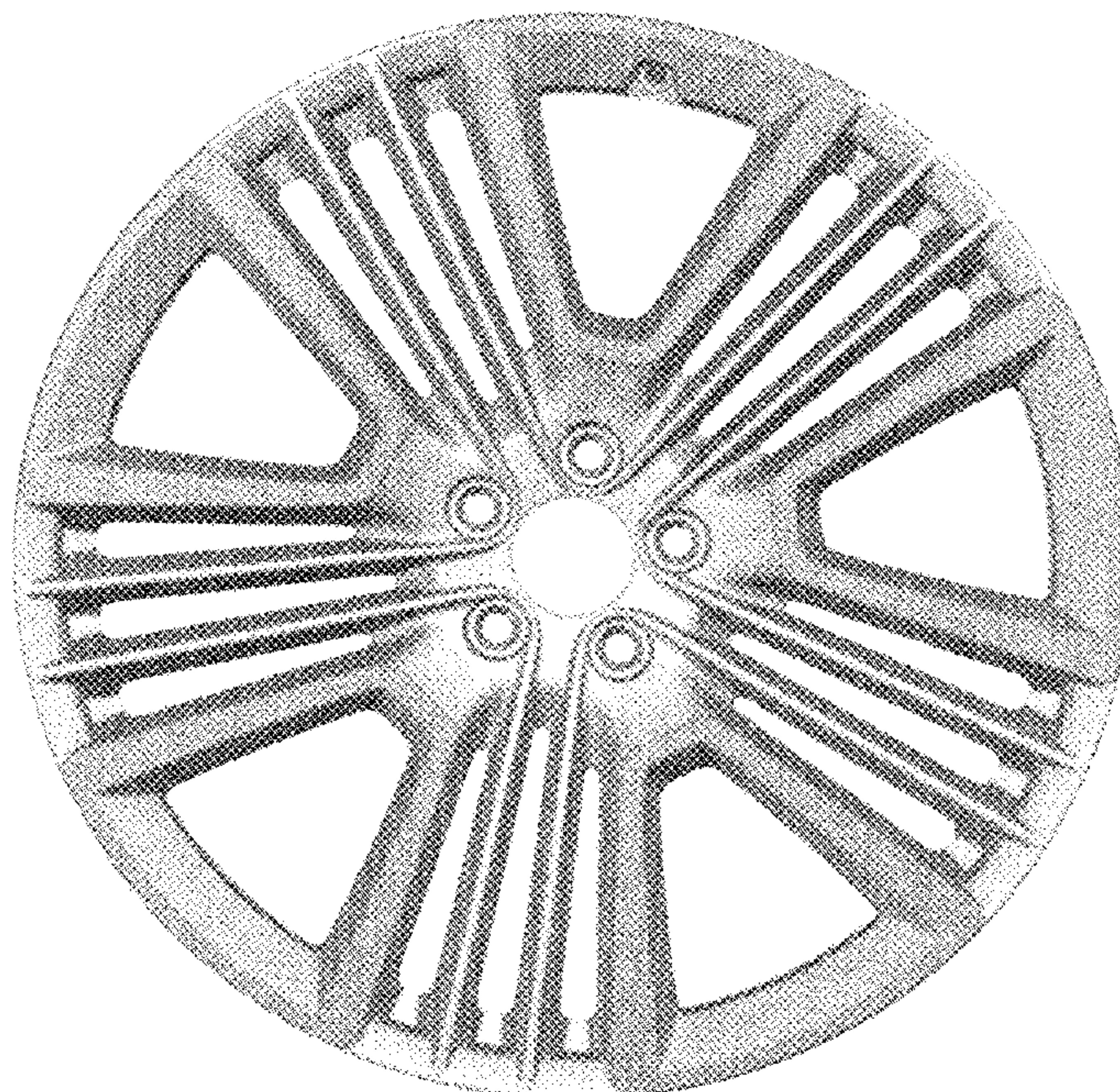


FIG. 1

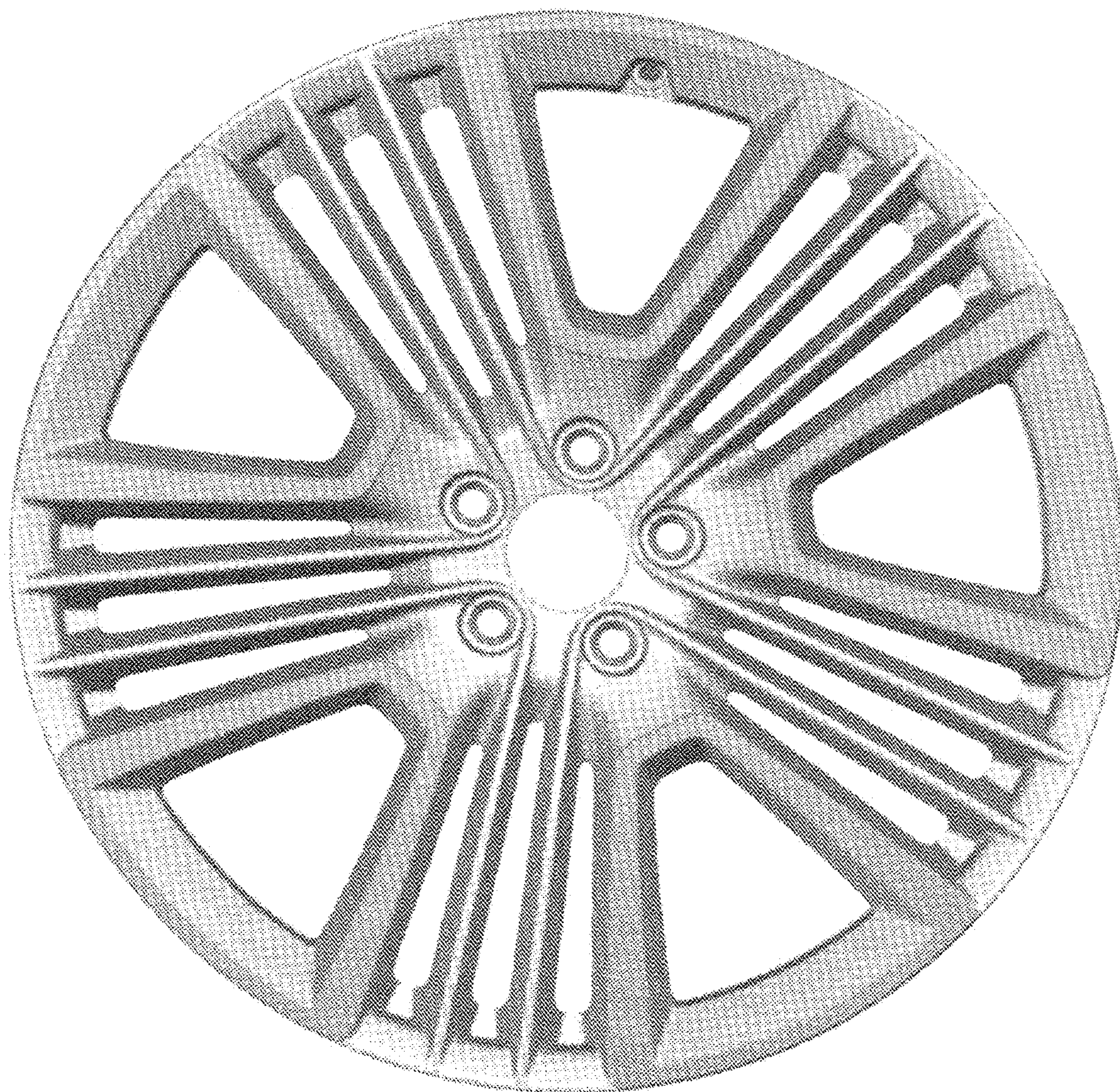


FIG. 2

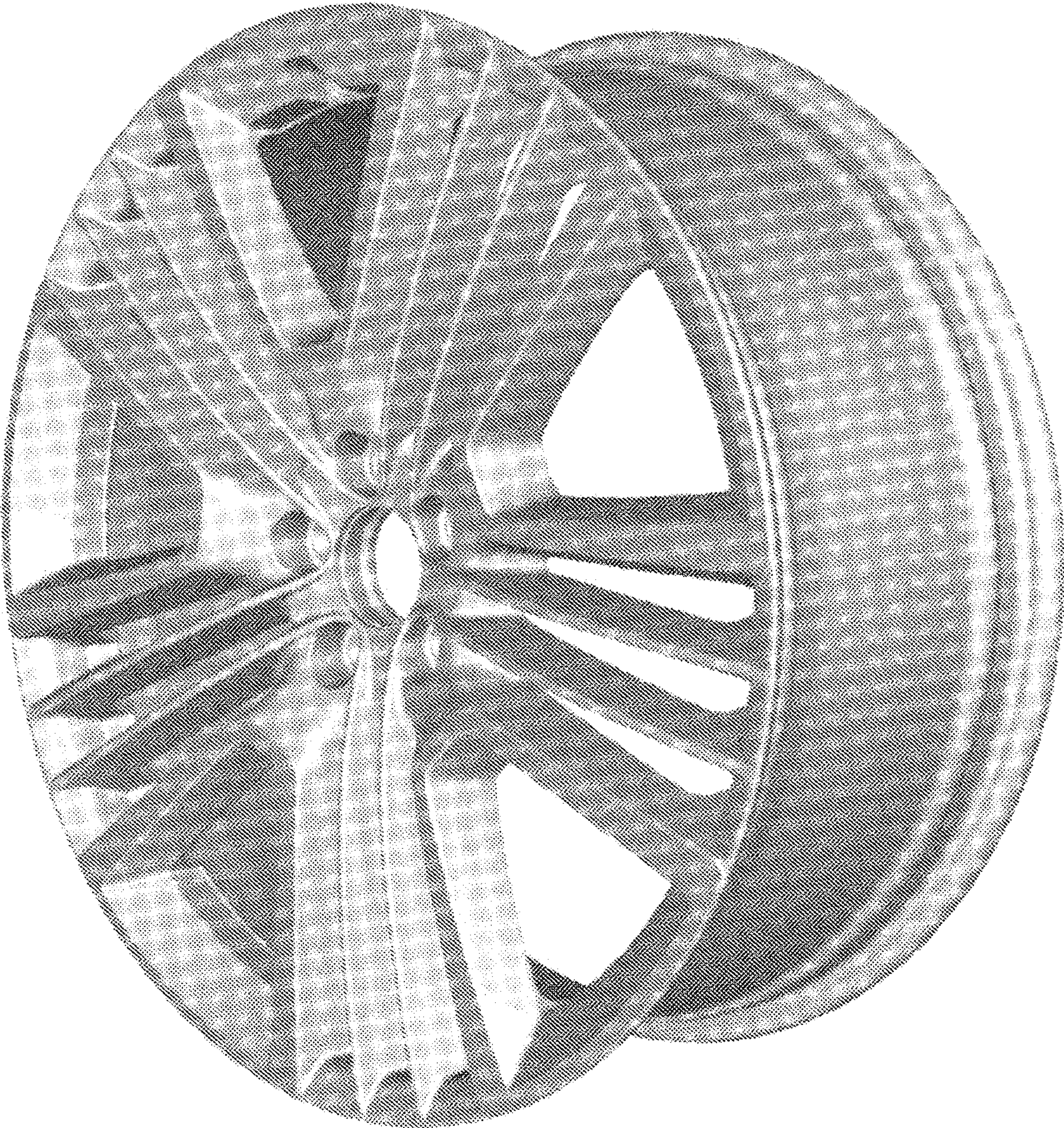


FIG. 3

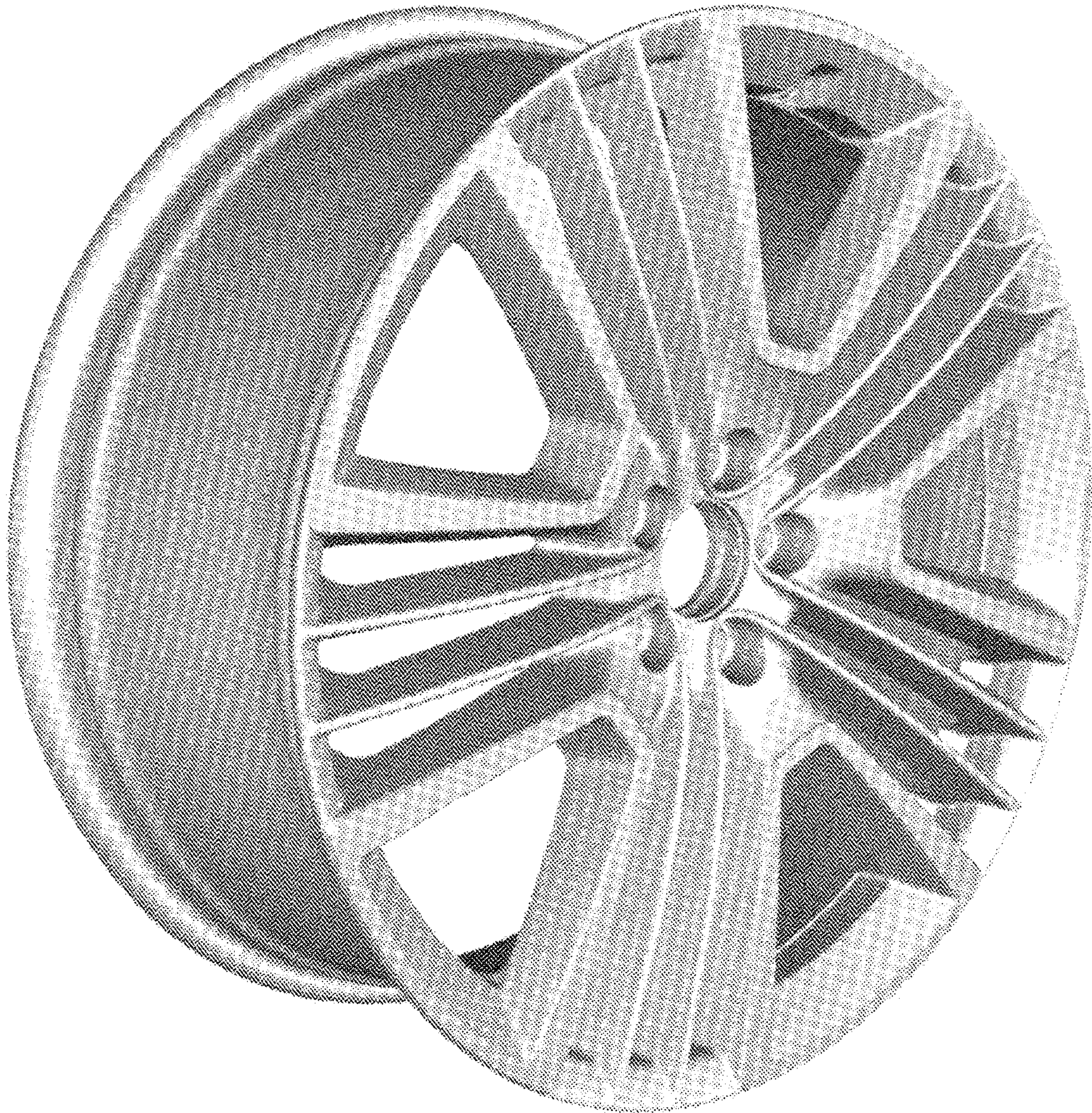


FIG. 4

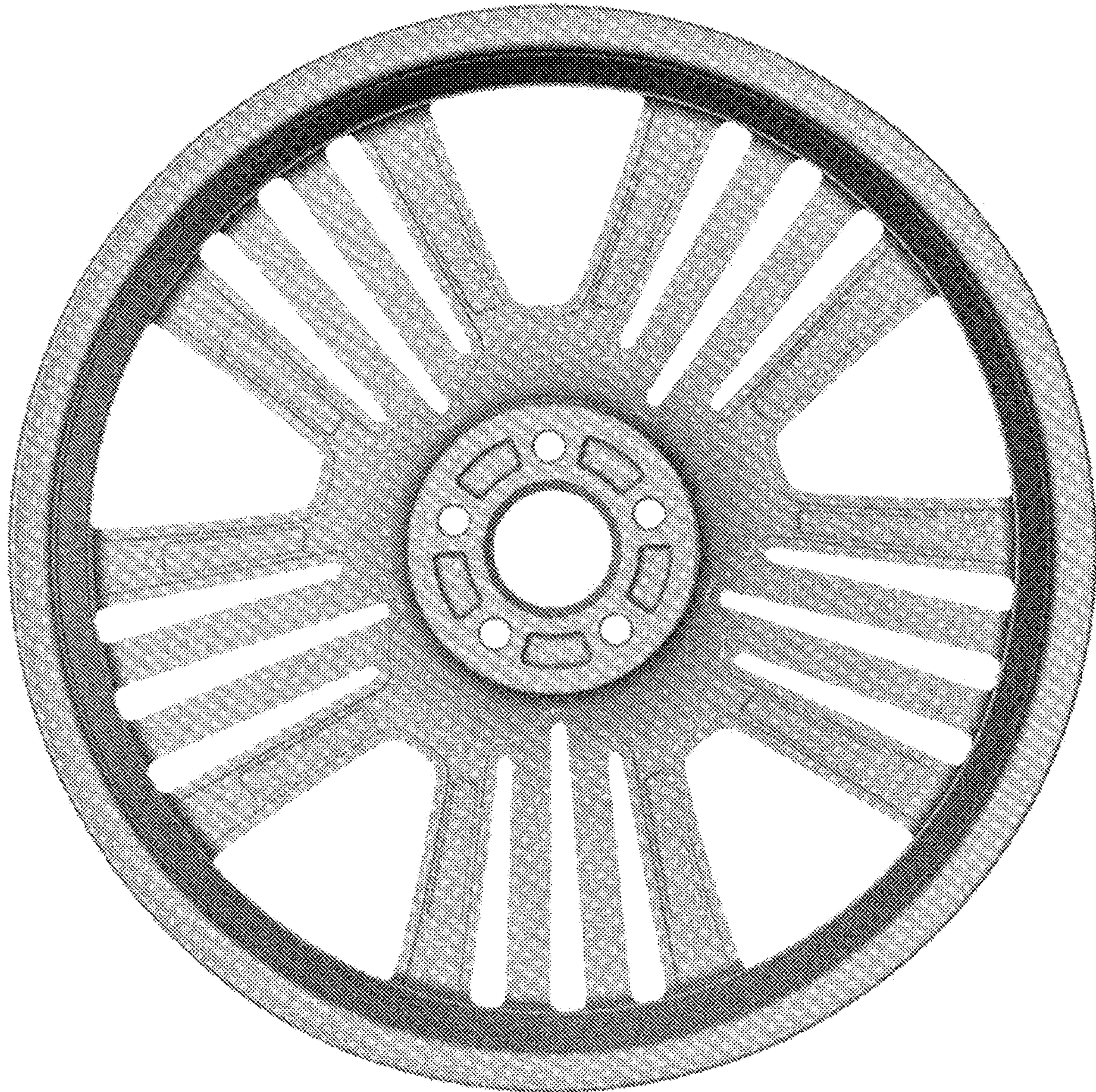


FIG. 5

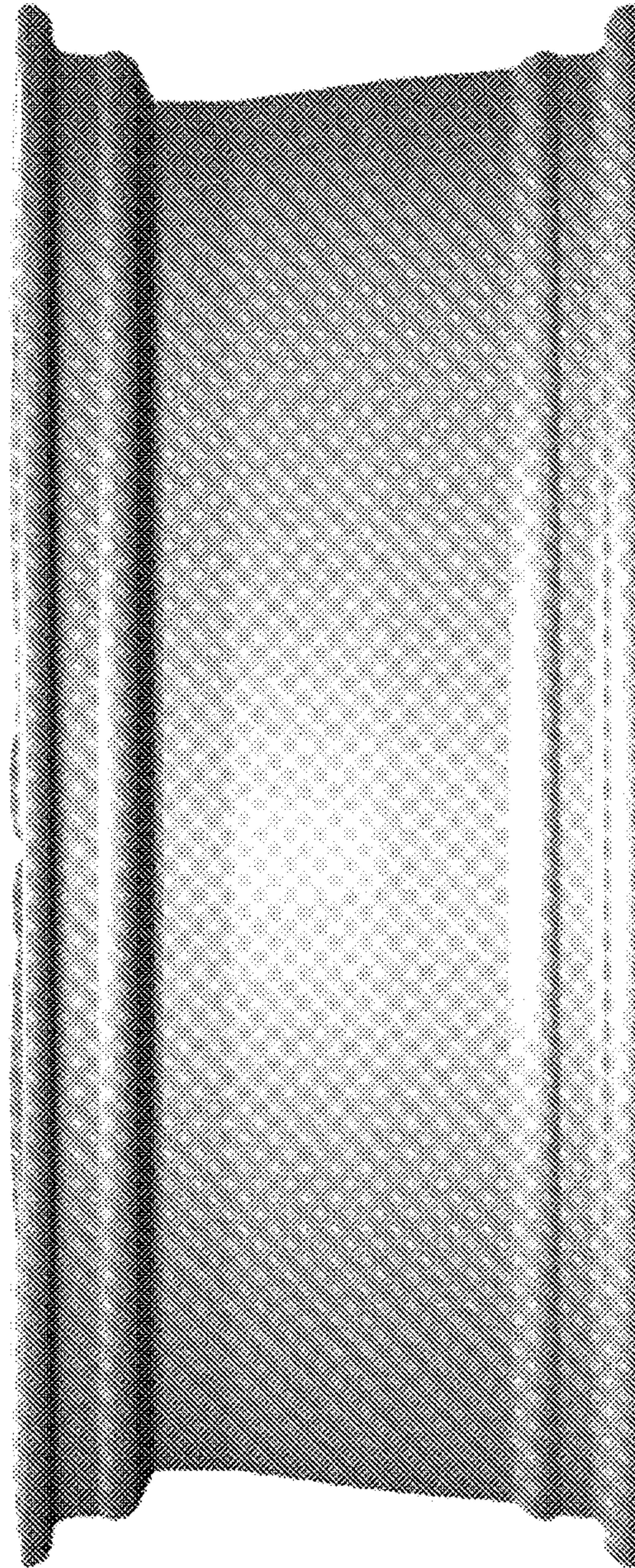


FIG. 6

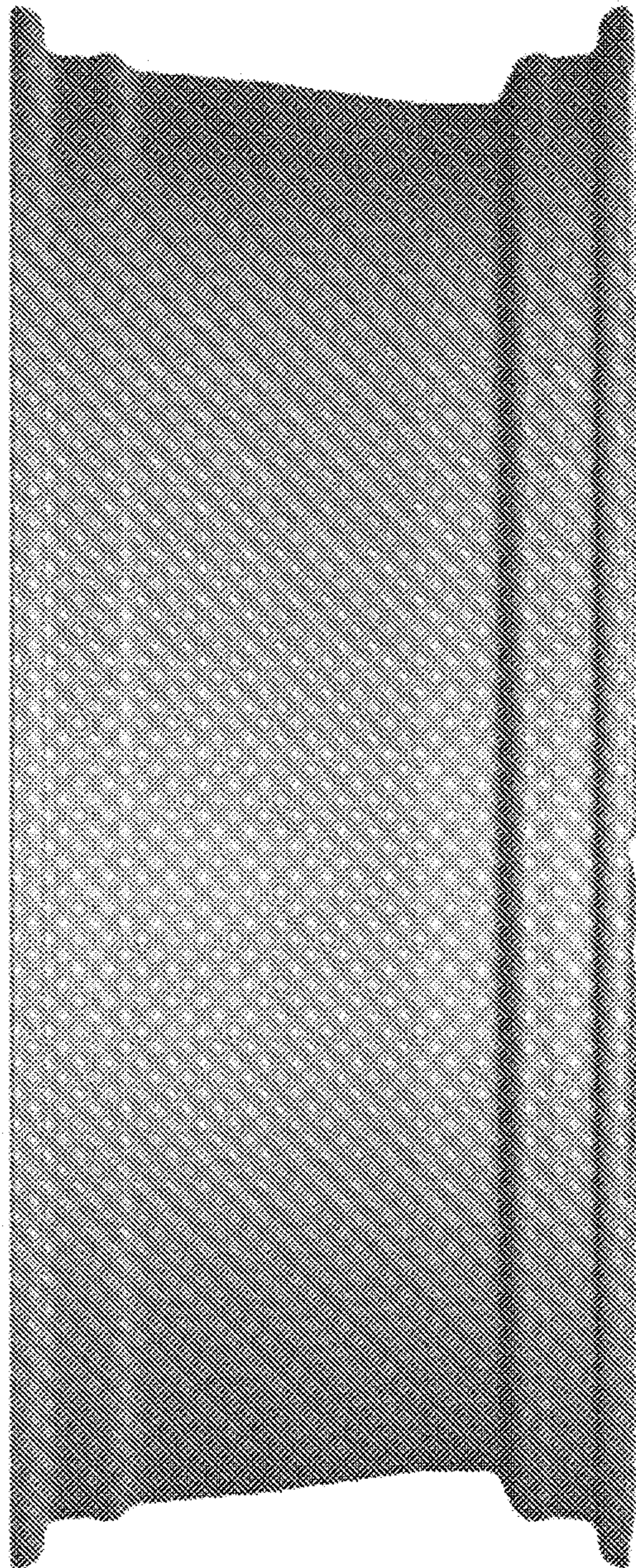


FIG. 7

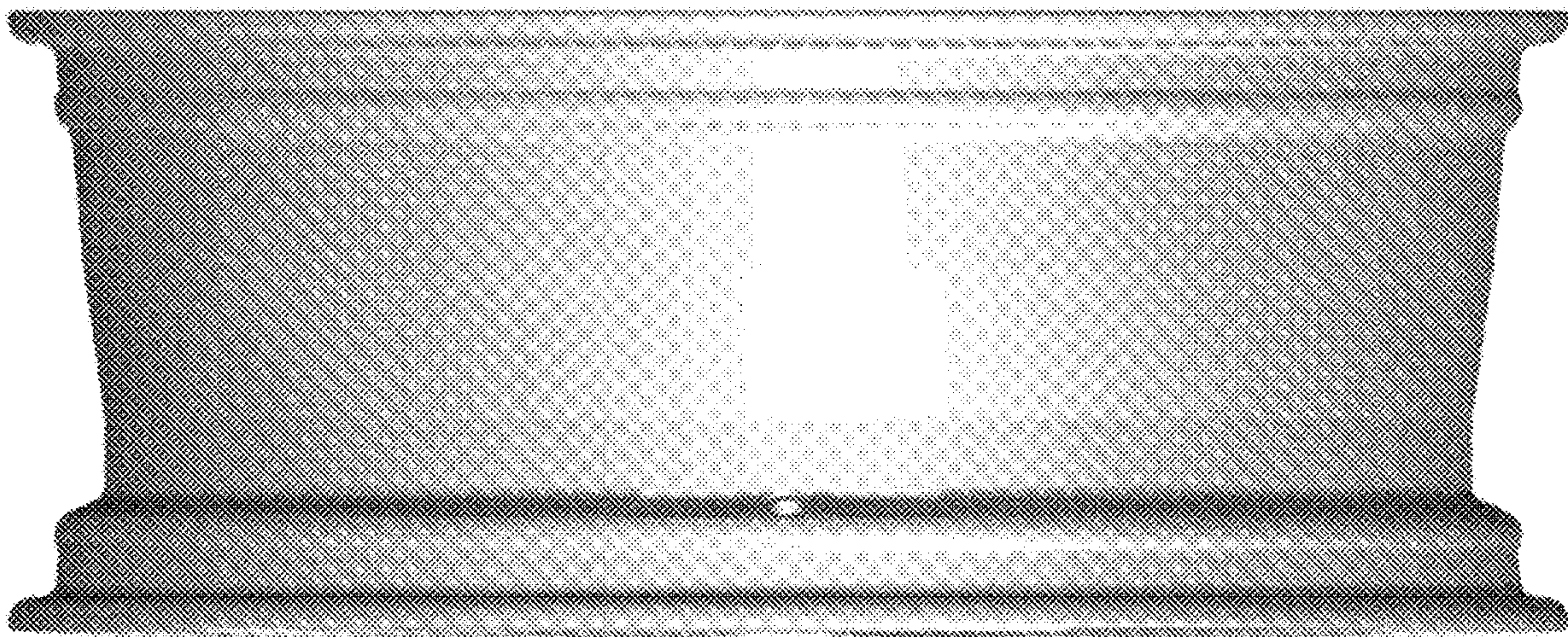


FIG. 8

