



US00D871294S

(12) **United States Design Patent** (10) **Patent No.:** **US D871,294 S**
Quan et al. (45) **Date of Patent:** **** Dec. 31, 2019**

(54) **ROAD TUBELESS BICYCLE RIM**
(71) Applicant: **Janus Cycle Group, Inc.**, Boulder, CO (US)
(72) Inventors: **Kevin Quan**, Toronto (CA); **David Bertozzi**, Toronto (CA)
(73) Assignee: **Janus Cycle Group, Inc.**, Boulder, CO (US)

(**) Term: **15 Years**

(21) Appl. No.: **29/630,086**

(22) Filed: **Dec. 19, 2017**

(51) **LOC (12) Cl.** **12-16**

(52) **U.S. Cl.**
USPC **D12/208**

(58) **Field of Classification Search**
USPC D12/208, 213
CPC B60B 21/02; B60B 21/21; B60B 21/025;
B60B 21/026; B60B 21/028; B60B 21/04;
B60B 21/104; B60B 21/108
See application file for complete search history.

(56) **References Cited**

U.S. PATENT DOCUMENTS

446,189	A	2/1891	Overman	
2,083,327	A *	6/1937	Eksergian	B60B 3/04 301/5.1
5,151,141	A	9/1992	Lunieski et al.	
5,242,000	A	9/1993	Kimura	
6,138,730	A	10/2000	Fotij et al.	
6,767,070	B1	7/2004	Chiang et al.	
7,219,707	B2	5/2007	Han	
7,290,839	B2	11/2007	Okajima	
8,007,053	B2	8/2011	Koziatek	
8,746,808	B2 *	6/2014	Kuan	B60B 21/025 301/58
8,777,328	B2 *	7/2014	Meggiolan	B60B 21/025 301/55

10,272,718	B1 *	4/2019	Quan	B60B 21/102
2004/0222691	A1 *	11/2004	Okajima	B60B 1/0284 301/58
2008/0277998	A1	11/2008	Chen	
2009/0115240	A1	5/2009	Slate et al.	
2009/0134693	A1 *	5/2009	Meggiolan	B60B 21/025 301/5.24

(Continued)

OTHER PUBLICATIONS

R&R Bikes, "SEBCO" rims, Jan. 31, 2002, viewed at <http://www.rbikes.com/rims.htm>.

(Continued)

Primary Examiner — Sheryl Lane

Assistant Examiner — Calvin E Vansant

(74) *Attorney, Agent, or Firm* — Kolitch Romano LLP

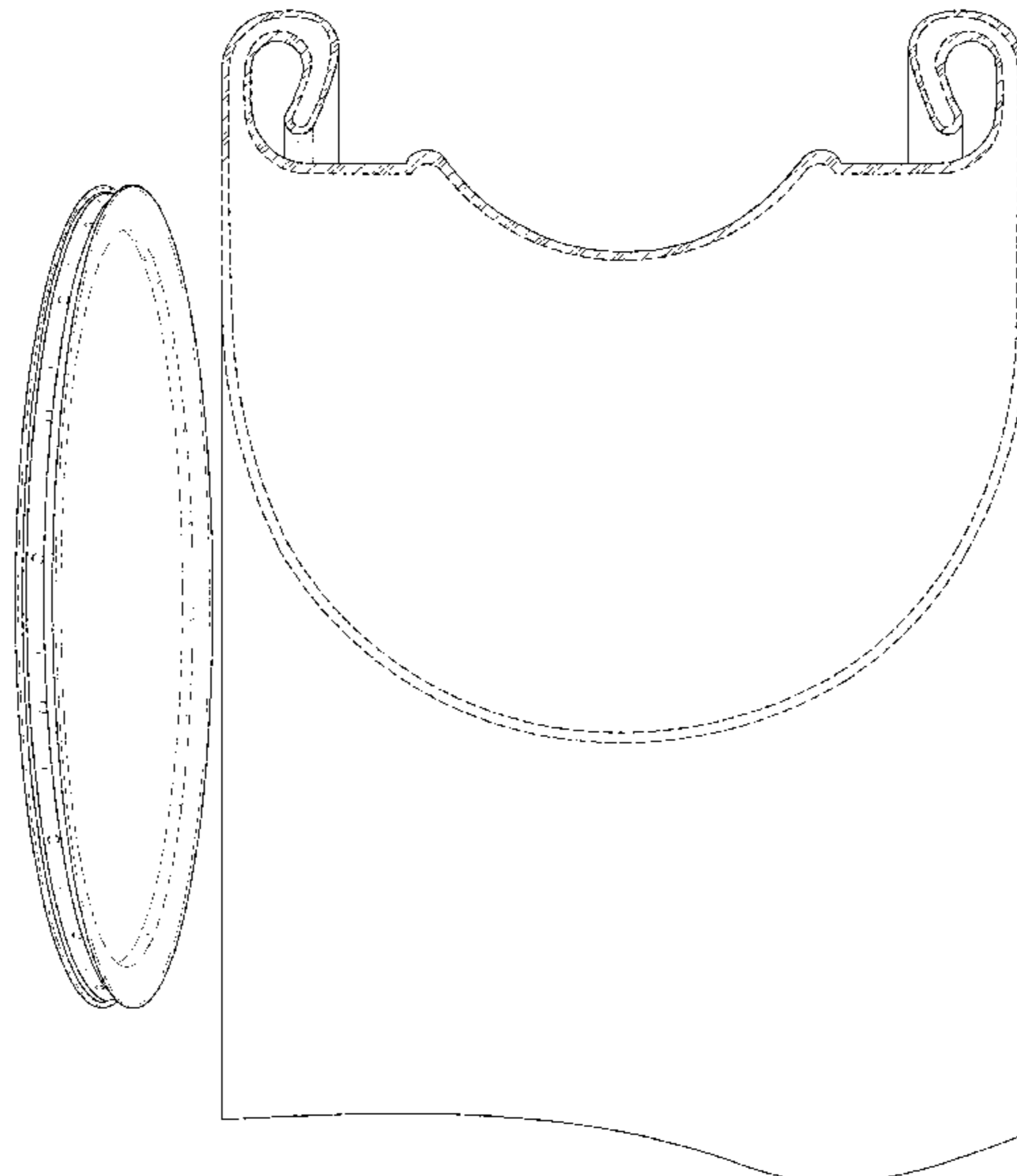
(57) **CLAIM**

The ornamental design for a road tubeless bicycle rim, as shown and described.

DESCRIPTION

FIG. 1 is a front, right isometric view of a road tubeless bicycle rim showing my new design (the rear, left isometric view, being identical, is not shown);
FIG. 2 is a front elevation view thereof (the top plan, bottom plan, and rear elevation views, being identical, are not shown);
FIG. 3 is a left side elevation view thereof (the right side elevation view, being identical, is not shown);
FIG. 4 is a sectional view thereof, taken at cut line 4-4 of FIG. 3; and,
FIG. 5 is a sectional view thereof, taken at cut line 5-5 of FIG. 3.
Elements of the road tubeless bicycle rim depicted using broken lines are intended to illustrate the environment of the claimed design and form no part of the claimed design.

1 Claim, 5 Drawing Sheets



(56)

References Cited

U.S. PATENT DOCUMENTS

2014/0132060 A1 5/2014 Chen
2018/0086136 A1* 3/2018 Chen B60B 5/02
2019/0217660 A1* 7/2019 Feucht B60B 1/003

OTHER PUBLICATIONS

Benlui (India) International, rims, Oct. 19, 2006, viewed at <http://www.benluiindia.com/cycleparts9.html>.

Unknown, aluminum rim record R 28 5/8 polished, circa 2015, viewed at <https://www.ilovebike.it/en/circles/circle-in-aluminum-record-r-28-5-8-polished>.

Unknown, circle chromed steel R 28 5/8, circa 2015, viewed at <https://www.ilovebike.it/en/circles/circle-in-steel-chrome-r-28-5-8/>.

Unknown, traditional/steel bicycle wheel rims, Feb. 6, 2015, viewed at <https://www.dutchbikebits.com/traditional-bicycle-wheel-rims>.

Gursam International, rims, Apr. 25, 2015, viewed at <http://www.gursam.com/rims.html>.

U.S. Patent and Trademark Office, Office action in U.S. Appl. No. 15/847,015, dated Apr. 11, 2018, which is another U.S. application of Applicant Knight Composites, LLC.

Section on Straight-Side Rims, Rims—Cycles and Mopeds, standards and manual regarding the international standard for labeling the size of bicycle tires and rims, published 2003, p. 254, European Tyre and Rim Technical Organisation (ETRTO).

Ryde Rims, V38 rims, viewed at <https://www.ryde.nl/v38>, products were commercially available prior to the filing date of the instant application, circa before Dec. 19, 2017.

* cited by examiner

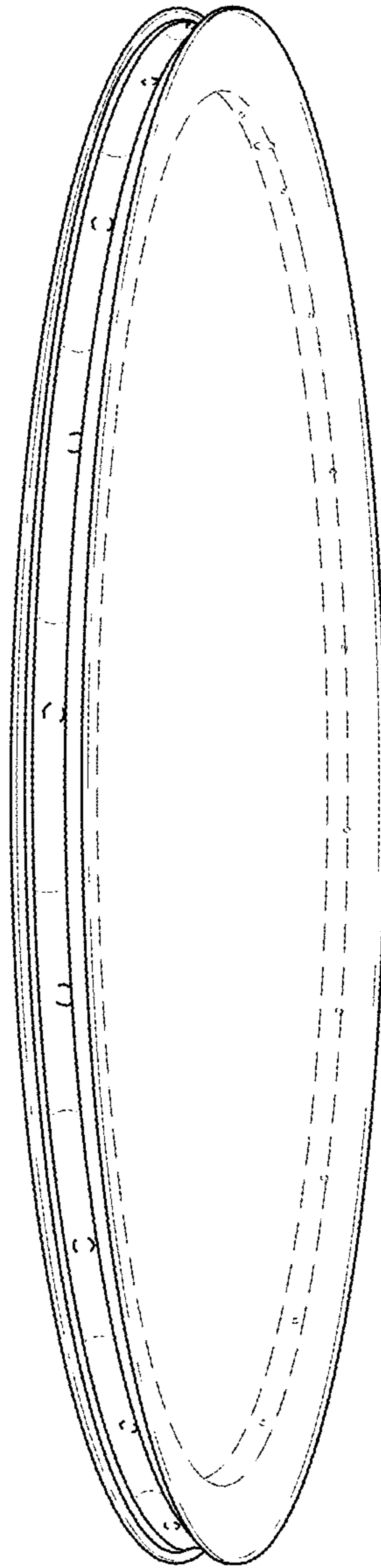


FIG. 1

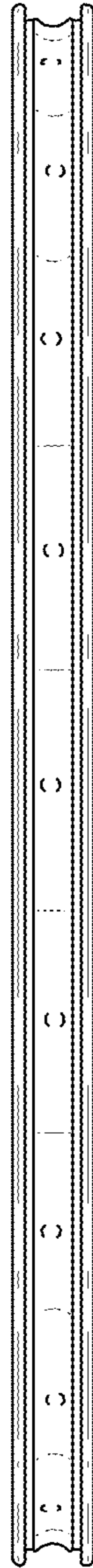


FIG. 2

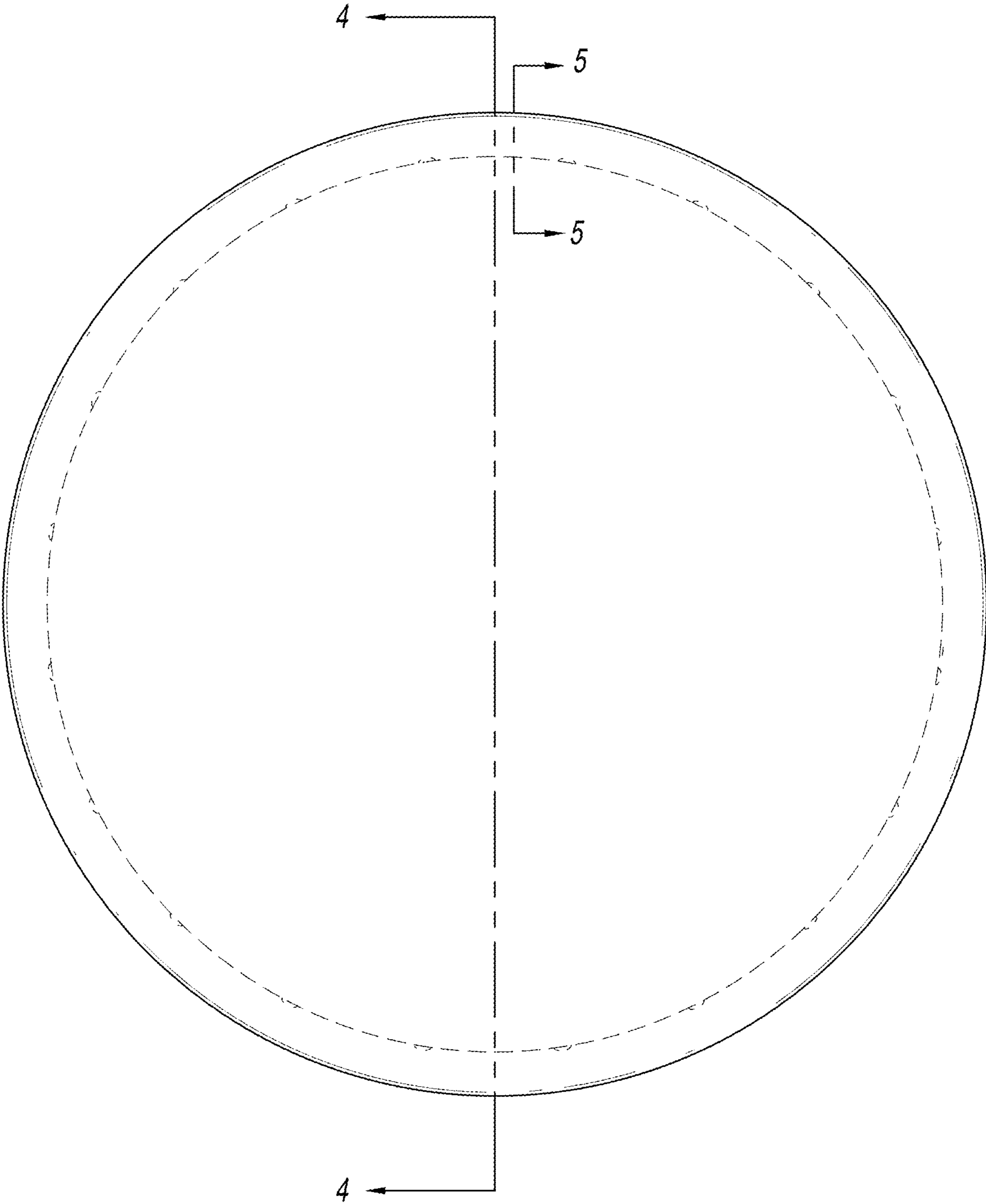


FIG. 3

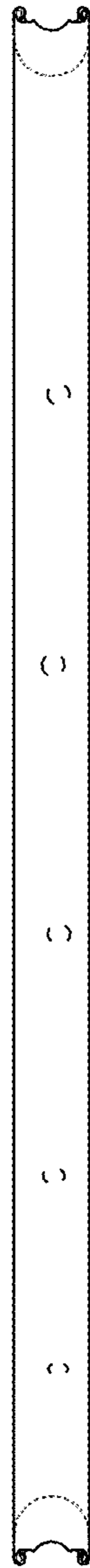


FIG. 4

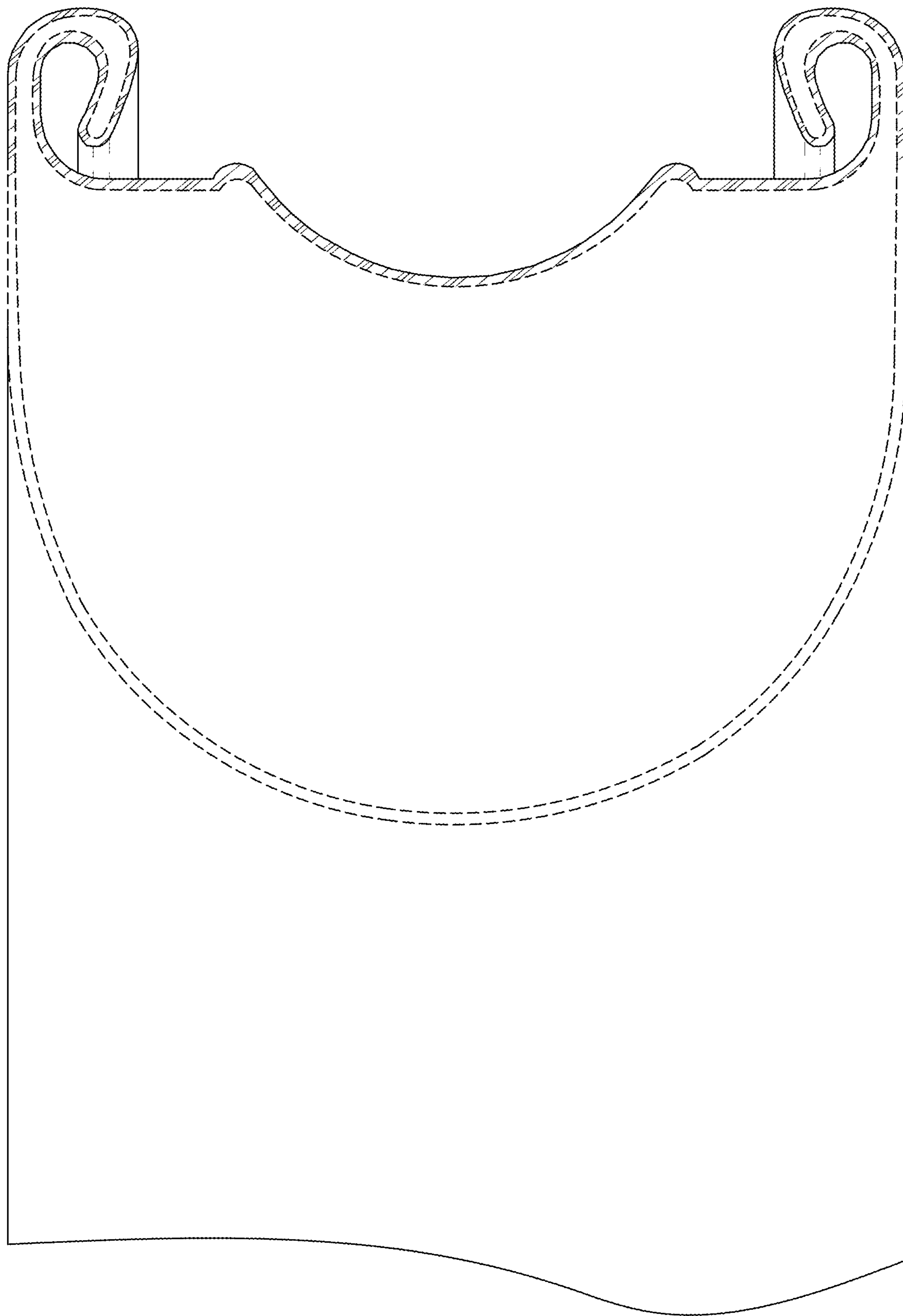


FIG. 5