

US00D871292S

(12) **United States Design Patent** (10) **Patent No.:** **US D871,292 S**
Tsai et al. (45) **Date of Patent:** **** Dec. 31, 2019**

(54) **VEHICLE RUNNING BOARD**
(71) Applicant: **TAYIH KENMOS AUTO PARTS CO., LTD., Tainan (TW)**
(72) Inventors: **Keng-Ming Tsai, Tainan (TW); Yuan Yao Yang, Tainan (TW)**
(73) Assignee: **TAYIH KENMOS AUTO PARTS CO., LTD., Tainan (TW)**
(**) Term: **15 Years**
(21) Appl. No.: **29/660,838**
(22) Filed: **Aug. 23, 2018**
(51) **LOC (12) Cl.** **12-16**
(52) **U.S. Cl.**
USPC **D12/203**
(58) **Field of Classification Search**
USPC D12/203, 89, 98, 314, 162, 190, 196
CPC .. B60R 3/002; B60R 3/02; B60R 3/00; B60R 3/005; B60R 3/007
See application file for complete search history.

(56) **References Cited**
U.S. PATENT DOCUMENTS
D349,678 S * 8/1994 Waddington D12/203
D351,128 S * 10/1994 Waddington D12/203
D434,711 S * 12/2000 McQuiston D12/203
6,382,819 B1 * 5/2002 McQuiston B60Q 1/323
362/487
6,536,790 B1 * 3/2003 Ojanen B60R 3/002
280/163
D488,759 S * 4/2004 Hattori D12/203
D496,898 S * 10/2004 Metros D12/203
D497,338 S * 10/2004 Metros D12/203
D513,725 S * 1/2006 Metros D12/203

D514,492 S * 2/2006 Metros D12/203
D546,259 S * 7/2007 Metros D12/203
D548,664 S * 8/2007 Hall D12/203
D568,221 S * 5/2008 Cord D12/203
D595,630 S * 7/2009 McPherson D12/203
D596,098 S * 7/2009 Huang-Tsai D12/203
D632,627 S * 2/2011 Huang-Tsai D12/203
D676,368 S * 2/2013 Cover D12/203
D739,801 S * 9/2015 Bundy D12/203
D747,673 S * 1/2016 Wang D12/203
D788,669 S * 6/2017 Guo D12/203
D813,135 S * 3/2018 Baeza D12/203
2003/0006575 A1 * 1/2003 Genis B60R 3/002
280/163
2005/0012295 A1 * 1/2005 Chevalier B60R 3/002
280/163

* cited by examiner

Primary Examiner — Michelle E. Wilson
Assistant Examiner — Clese Moore, Jr.

(57) **CLAIM**

The ornamental design for a vehicle running board, as shown and described.

DESCRIPTION

FIG. 1 is a perspective view of a vehicle running board showing my design;
FIG. 2 is another perspective view thereof;
FIG. 3 is a front elevational view thereof;
FIG. 4 is a rear elevational view thereof;
FIG. 5 is a left side elevational view thereof;
FIG. 6 is a right side elevational view thereof;
FIG. 7 is a top plan view thereof;
FIG. 8 is a bottom plan view thereof; and,
FIG. 9 is an enlarged cross-sectional view thereof taken along line 9-9 in FIG. 3.

1 Claim, 6 Drawing Sheets

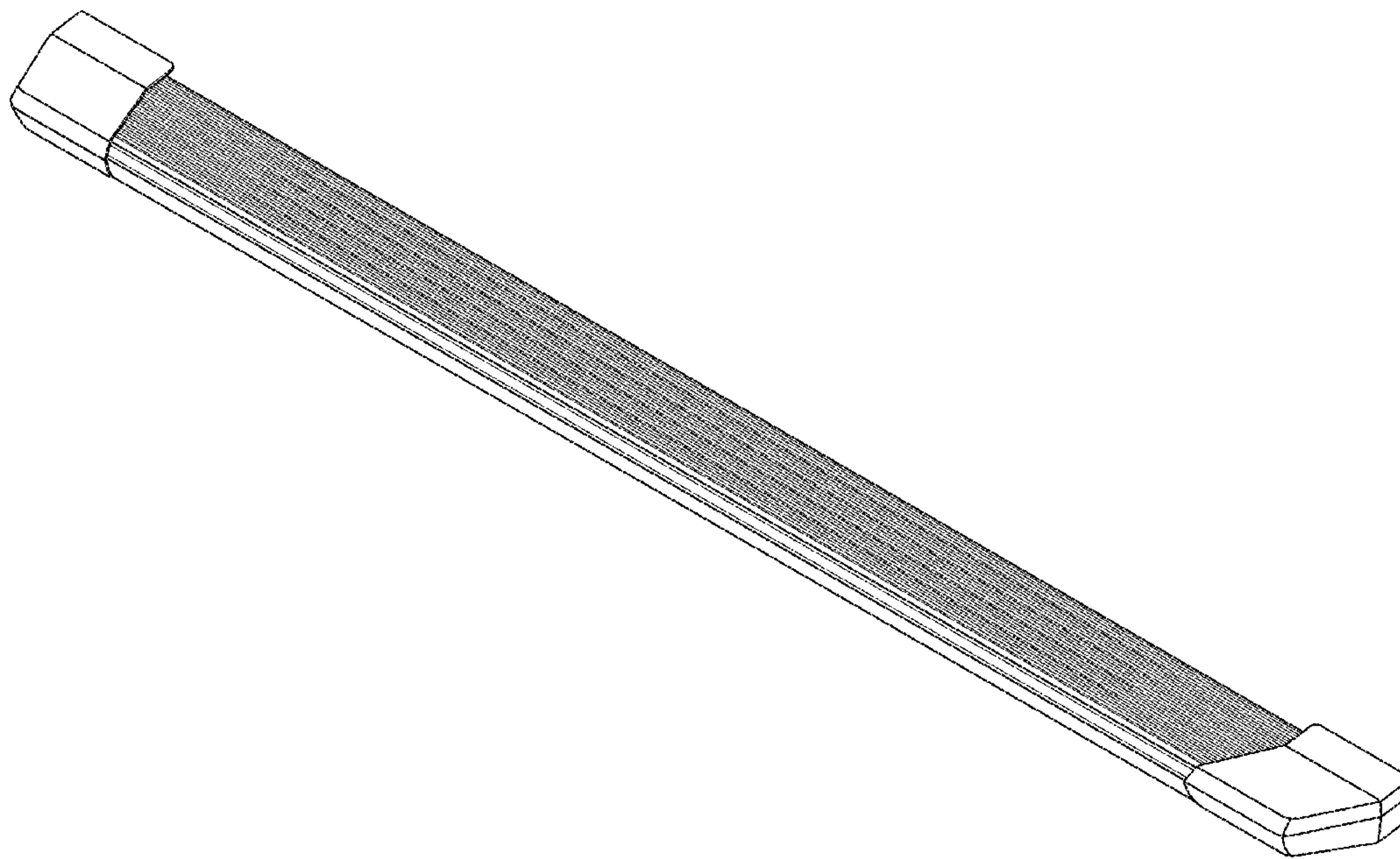




FIG.1

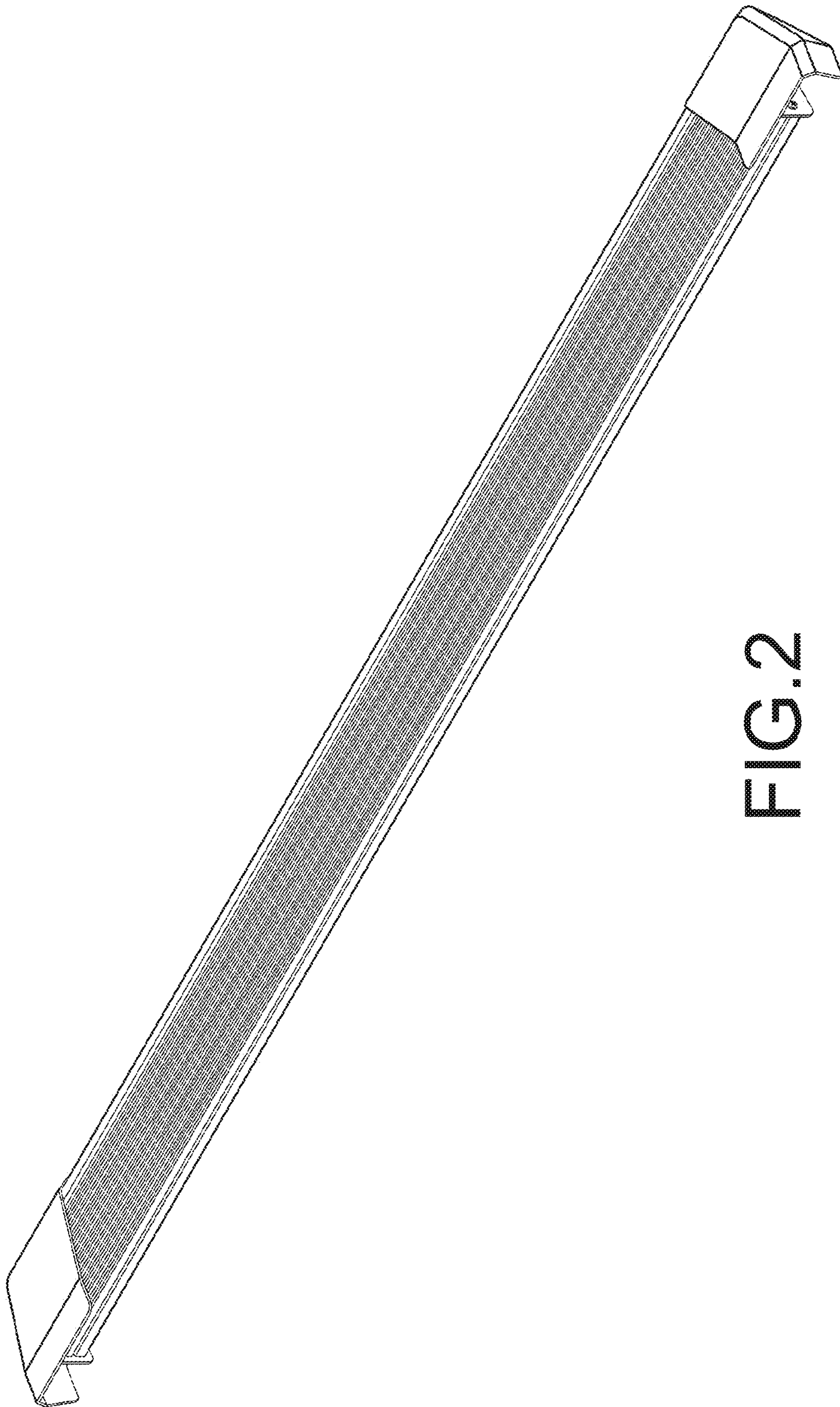


FIG. 2

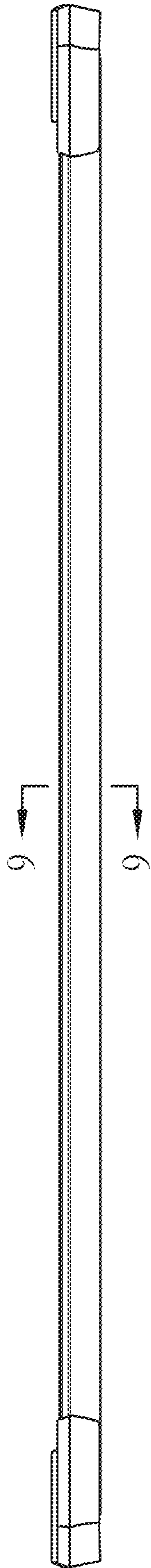


FIG. 3

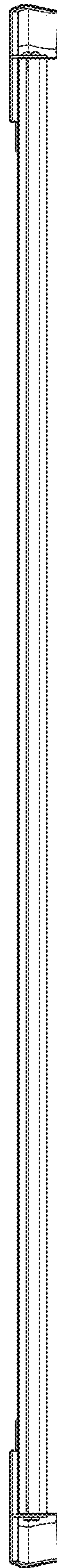


FIG. 4

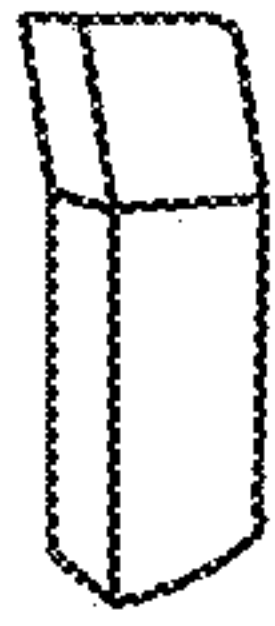


FIG. 5



FIG. 6

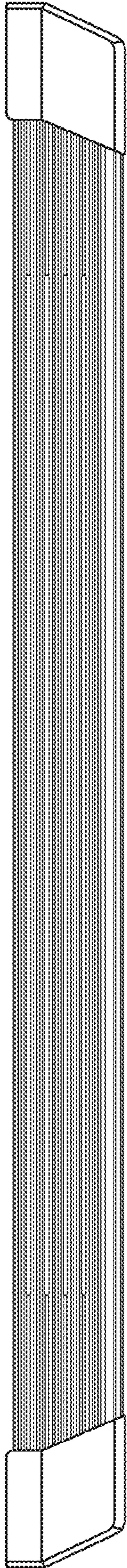


FIG. 7

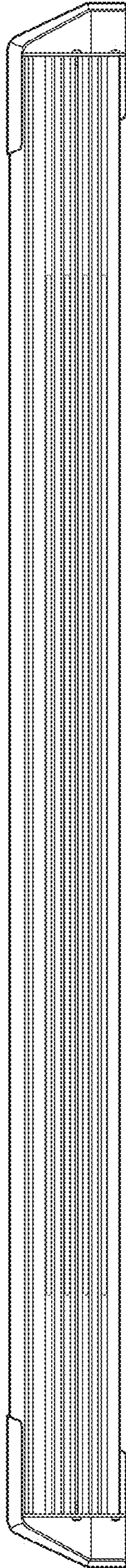


FIG. 8

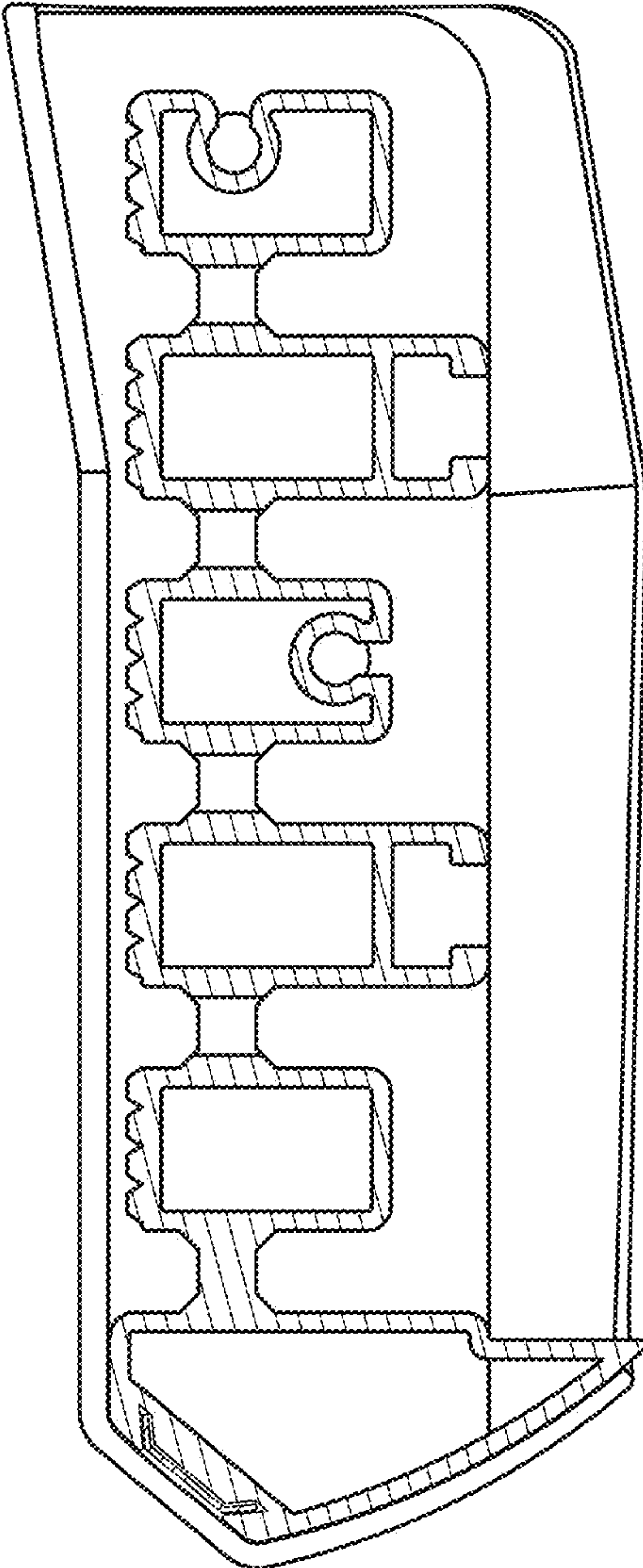


FIG. 9