



US00D871290S

(12) **United States Design Patent** (10) **Patent No.:** **US D871,290 S**
Kasparian et al. (45) **Date of Patent:** **** Dec. 31, 2019**

(54) **FLIGHT DECK WITH SURFACE ORNAMENTATION**

CPC B60J 5/04
See application file for complete search history.

(71) Applicant: **Gulfstream Aerospace Corporation,**
Savannah, GA (US)

(56) **References Cited**

(72) Inventors: **Aram Kasparian,** Savannah, GA (US);
Andrew Fulford, Savannah, GA (US);
Tristan Flynn, Savannah, GA (US);
Scott Martin, Savannah, GA (US);
John Aerni, Savannah, GA (US);
Robert Magyarosi, Savannah, GA (US);
William Malcolm, Savannah, GA (US)

U.S. PATENT DOCUMENTS

D53,630 S 7/1919 Goodwin
2,808,355 A 10/1957 Christie
(Continued)

(73) Assignee: **Gulfstream Aerospace Corporation,**
Savannah, GA (US)

OTHER PUBLICATIONS

USPTO, Non-Final Office Action for U.S. Appl. No. 29/506,120,
dated Feb. 12, 2016.

(Continued)

(**) Term: **15 Years**

Primary Examiner — Katrina A Betton

(21) Appl. No.: **29/618,888**

(74) *Attorney, Agent, or Firm* — LKGlobal | Lorenz & Kopf, LLP

(22) Filed: **Sep. 25, 2017**

(57) **CLAIM**

The ornamental design for a flight deck with surface ornamentation, as shown and described.

Related U.S. Application Data

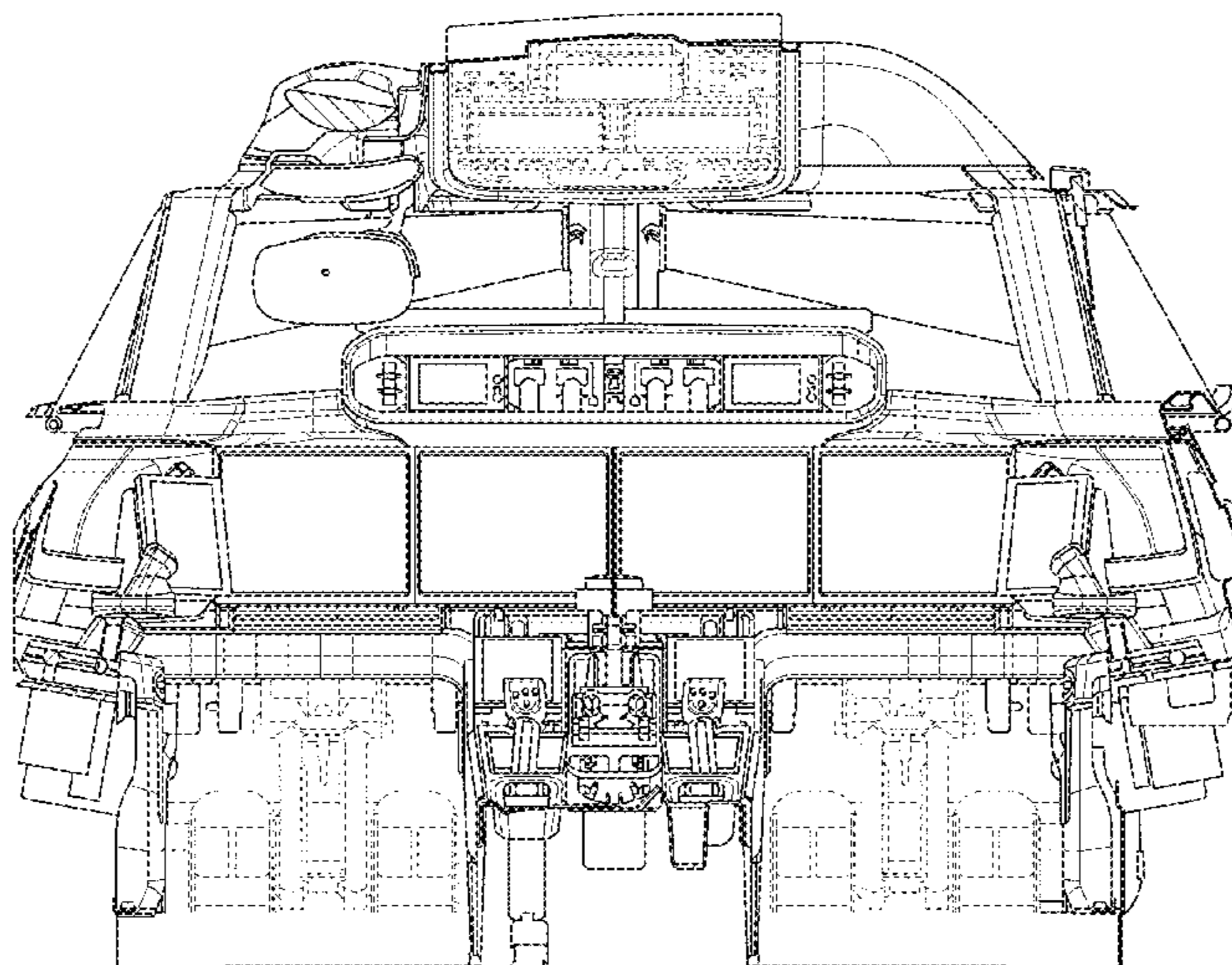
DESCRIPTION

(63) Continuation-in-part of application No. 29/582,013, filed on Oct. 24, 2016, now abandoned, which is a continuation of application No. 29/506,134, filed on Oct. 13, 2014, now abandoned, said application No. 29/618,888 is a continuation-in-part of application No. 29/544,276, filed on Nov. 2, 2015, now Pat. No. Des. 798,078, which is a continuation of application No. 29/506,153, filed on Oct. 13, 2014, now abandoned, said application No. 29/618,888 is a continuation-in-part of application No. 29/582,849,
(Continued)

FIG. 1 is a front view of a flight deck with surface ornamentation removed;
FIG. 2 is a left side view thereof cut through a center of the flight deck;
FIG. 3 is a left side view thereof cut through a pilot seat well of the flight deck;
FIG. 4 is a right side view thereof cut through a center of the flight deck;
FIG. 5 is a left side view thereof cut through a co-pilot seat well of the flight deck;
FIG. 6 is a top view of the floor of the flight deck with surface ornamentation removed; and,
FIG. 7 is a bottom view of the ceiling of the flight deck.
The broken lines illustrate environment and structure that form no part of the claimed design.

(51) **LOC (12) Cl.** **12-16**
(52) **U.S. Cl.**
USPC **D12/195**
(58) **Field of Classification Search**
USPC D12/195, 193, 414, 190, 196; D15/17,
D15/28; D10/46, 98, 102-103;
D8/302-303

1 Claim, 7 Drawing Sheets



Related U.S. Application Data

filed on Oct. 31, 2016, which is a continuation of application No. 29/506,120, filed on Oct. 13, 2014, now abandoned, said application No. 29/618,888 is a continuation-in-part of application No. 29/578,939, filed on Sep. 26, 2016, now abandoned, which is a continuation of application No. 29/506,155, filed on Oct. 13, 2014, now abandoned, said application No. 29/618,888 is a continuation-in-part of application No. 29/582,011, filed on Oct. 24, 2016, now Pat. No. Des. 821,947, which is a continuation of application No. 29/506,147, filed on Oct. 13, 2014, now abandoned.

(56)

References Cited

U.S. PATENT DOCUMENTS

D202,262 S	9/1965	Brunger	
D272,402 S	1/1984	Marrujo	
D284,751 S	7/1986	Soederberg	
D295,645 S	5/1988	Knudsen	
D304,468 S	11/1989	Dideriksen	
5,037,041 A	8/1991	Unterhitzenberger	
D376,343 S	12/1996	Alcocer	
D378,585 S	3/1997	Duguid	
D380,944 S	7/1997	Nielsen	
D384,015 S	9/1997	Stenger	
D424,002 S	5/2000	Leschke	
D456,754 S	5/2002	Keating	
D481,350 S	10/2003	McCoy	
D490,759 S	6/2004	Iohara	
D493,397 S	7/2004	Tuzar	
D504,856 S	5/2005	Chao	
D515,488 S	2/2006	Seidel	
D516,482 S	3/2006	Pfeiffer	
D524,211 S *	7/2006	Tsuchiya	D12/195
7,307,549 B2	1/2007	Firra	
D555,392 S	11/2007	Grozinger	
D556,107 S	11/2007	Figueiredo	
D563,114 S	3/2008	Pegg	
D575,546 S	8/2008	Tsay	
D576,821 S	9/2008	Fisette	
D587,642 S	3/2009	Pugh	
D589,870 S	4/2009	Saint-Jaimes	
D592,126 S	5/2009	da Silveira	
D616,354 S	5/2010	Saint-Jaimes	
D624,866 S	10/2010	Saint-Jaimes	
D626,491 S	11/2010	Saint-Jaimes	
D628,199 S	11/2010	Yukikado	
D631,817 S	2/2011	Pasternak	
D640,180 S	6/2011	Moneypenny	
D666,544 S *	9/2012	Tsay	D12/195

D672,307 S	12/2012	von Holzhausen	
D678,172 S	3/2013	Amante	
D679,921 S	4/2013	Kiechler	
D683,299 S	5/2013	Schrag	
D687,365 S	8/2013	Kondo	
D689,010 S	9/2013	Littlechild	
D694,701 S	12/2013	Ouellette	
D714,073 S	9/2014	Pittman	
8,925,862 B2 *	1/2015	Ehlers	B64D 11/02 244/118.5
8,952,831 B2	2/2015	Van Staagen	
D730,805 S	6/2015	Tran	
D734,224 S	7/2015	Tachiiri	
D750,009 S	2/2016	Kasparian	
D750,545 S	3/2016	Ozay	
D757,619 S	5/2016	Da Silveira	
D764,991 S *	8/2016	Woodhouse	D12/195
D765,011 S	8/2016	Martin	
D766,790 S *	9/2016	Sethapun	D12/195
D770,349 S *	11/2016	Ahn	D12/195
D775,563 S	1/2017	Shan	
D775,580 S	1/2017	Kasparian	
D788,000 S *	5/2017	LeFranc	D12/195
D793,315 S *	8/2017	Niemiec	D12/195
D796,403 S *	9/2017	Ahn	D12/195
D812,538 S *	3/2018	Lokers	D12/195
D813,132 S *	3/2018	Armigliato	D12/195
2003/0127557 A1	7/2003	Anderson	
2007/0198141 A1	8/2007	Moore	
2011/0270469 A1	11/2011	Bopp	
2012/0085870 A1	4/2012	Coote	
2013/0088435 A1	4/2013	Sia	
2013/0214105 A1	8/2013	Herder	
2014/0049407 A1	2/2014	Voros	
2014/0062884 A1	3/2014	Davies	
2014/0175220 A1	6/2014	Durand	
2014/0246886 A1 *	9/2014	Savard	B64D 11/06 297/62
2015/0111180 A1	4/2015	Wheller	
2015/0151838 A1	6/2015	Kerns	
2015/0202472 A1	7/2015	Werjefelt	

OTHER PUBLICATIONS

USPTO, Non-Final Office Action for U.S. Appl. No. 29/506,147, dated Oct. 23, 2015.
 USPTO, Non-Final Office Action for U.S. Appl. No. 29/506,155, dated Oct. 7, 2015.
 USPTO, Non-Final Office Action for U.S. Appl. No. 29/544,276, dated Jan. 27, 2017.
 USPTO, Non-Final Office Action for U.S. Appl. No. 29/582,013, dated Sep. 21, 2017.

* cited by examiner

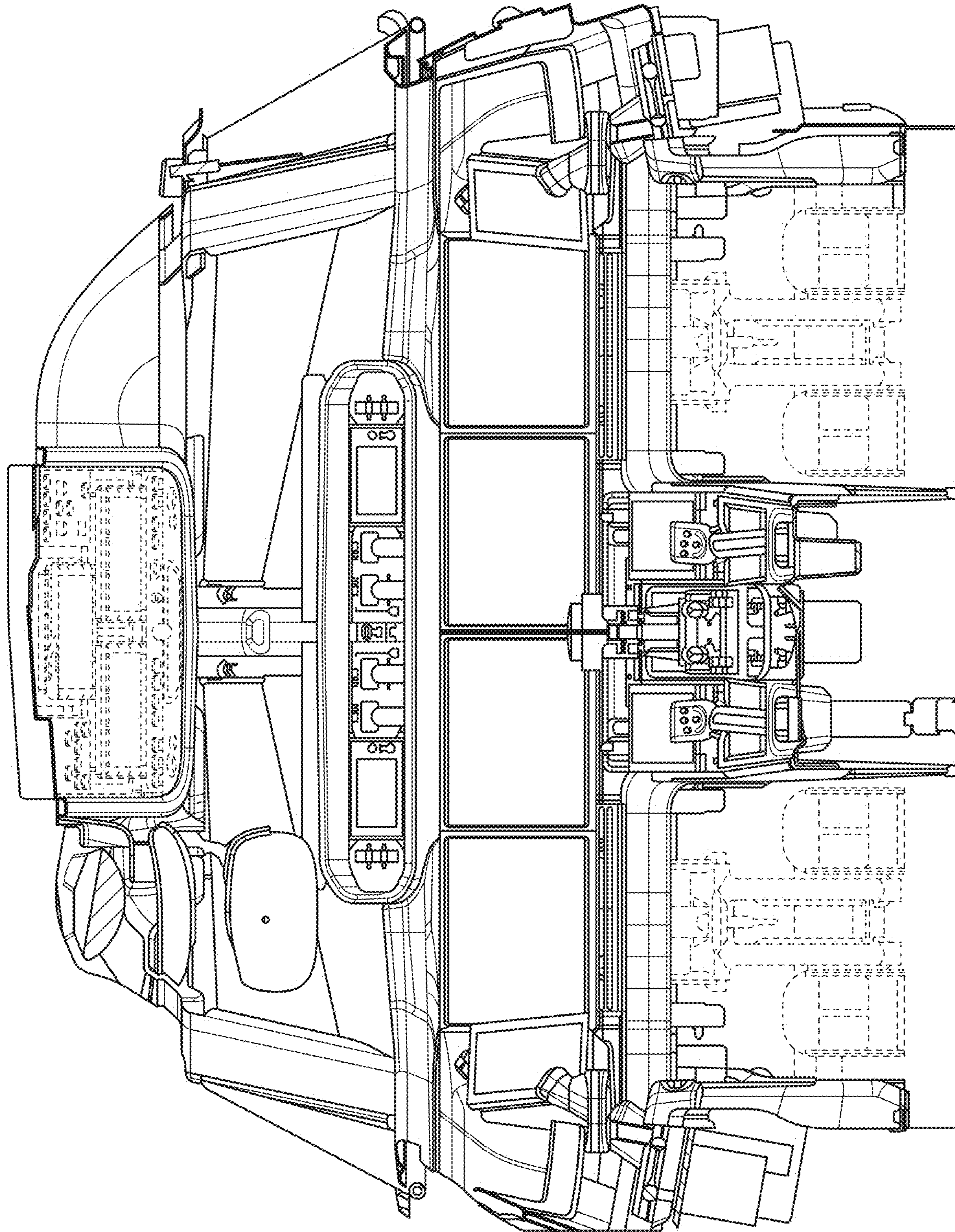


FIG. 1

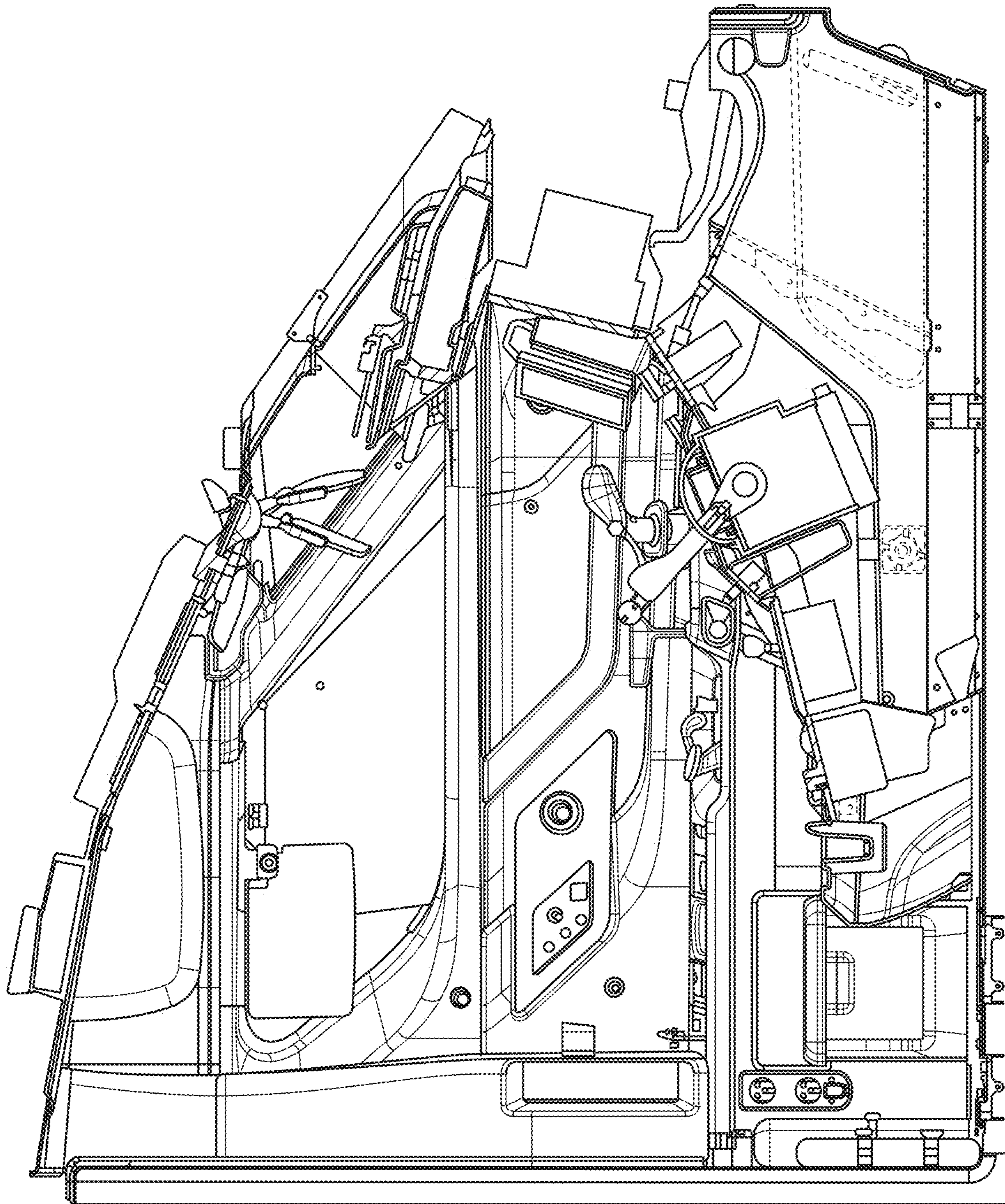


FIG. 2

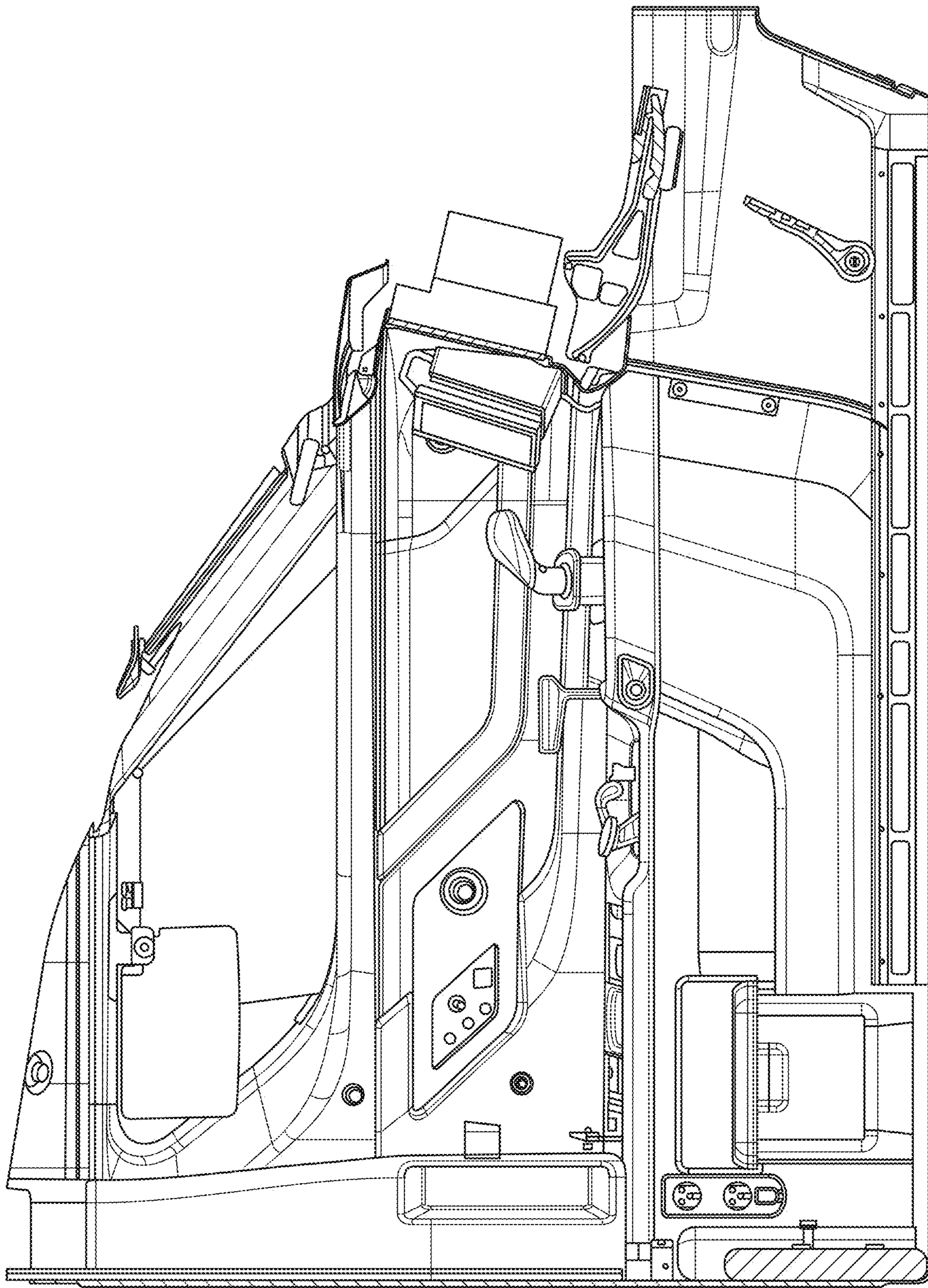


FIG. 3

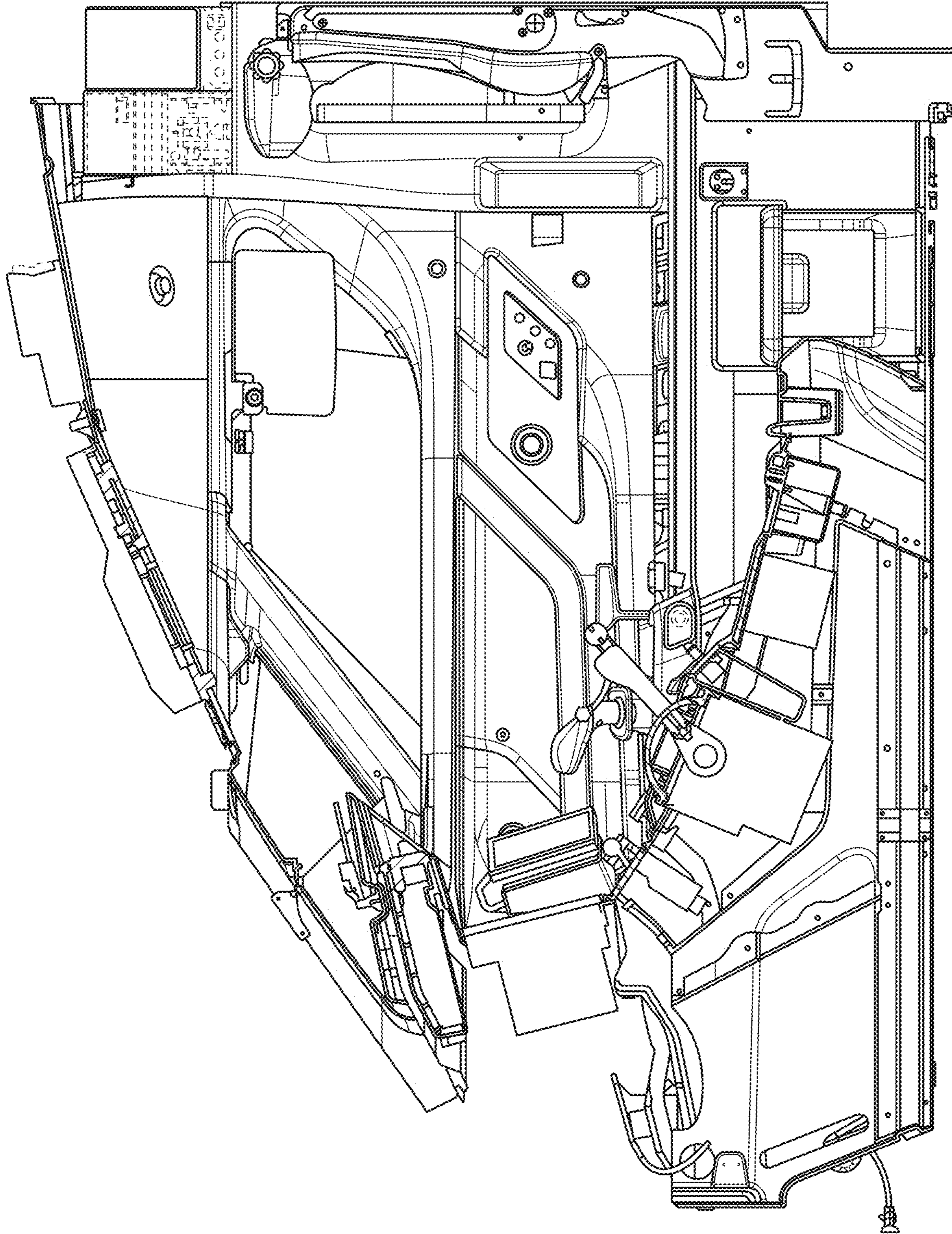


FIG. 4

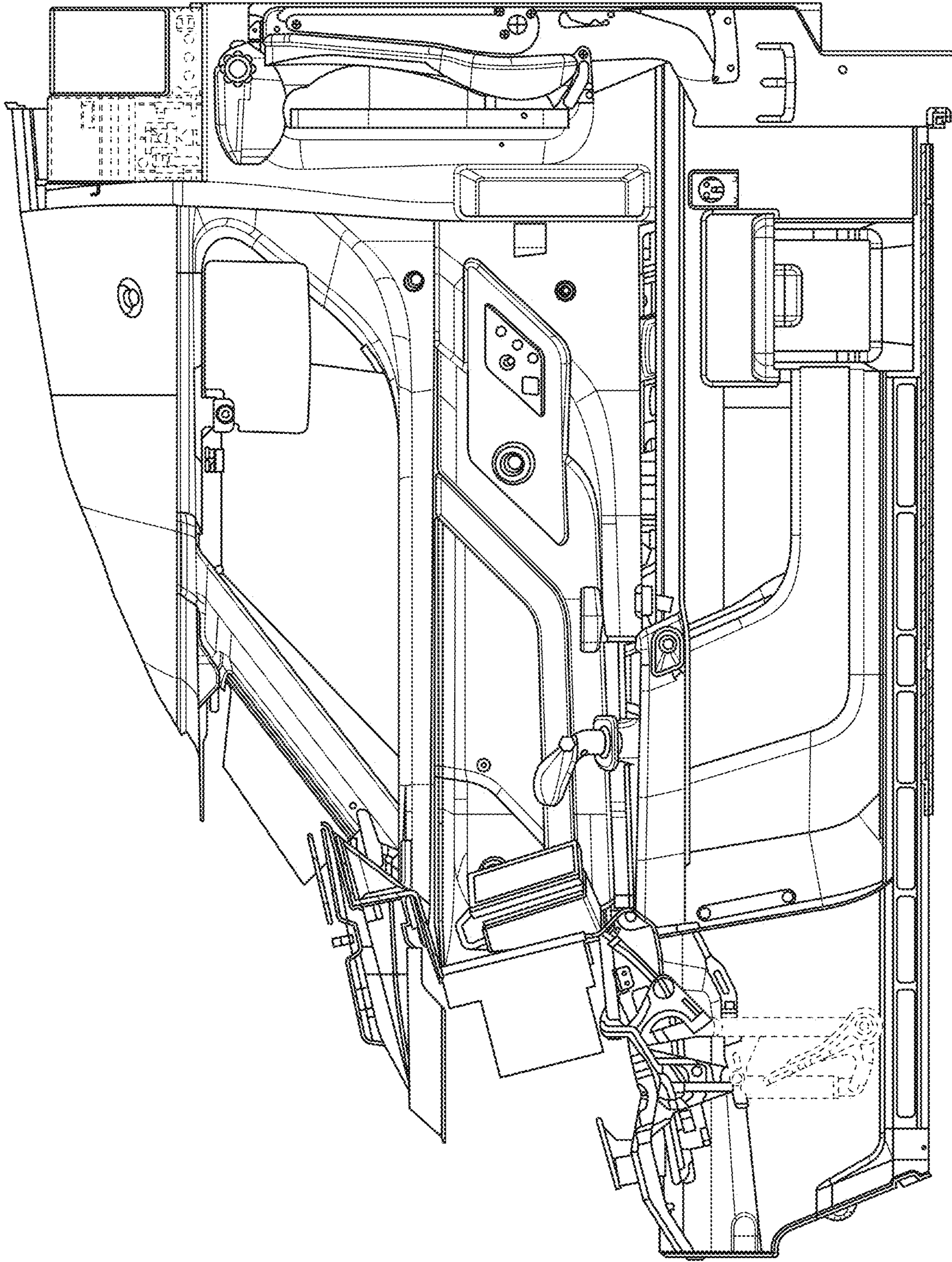


FIG. 5

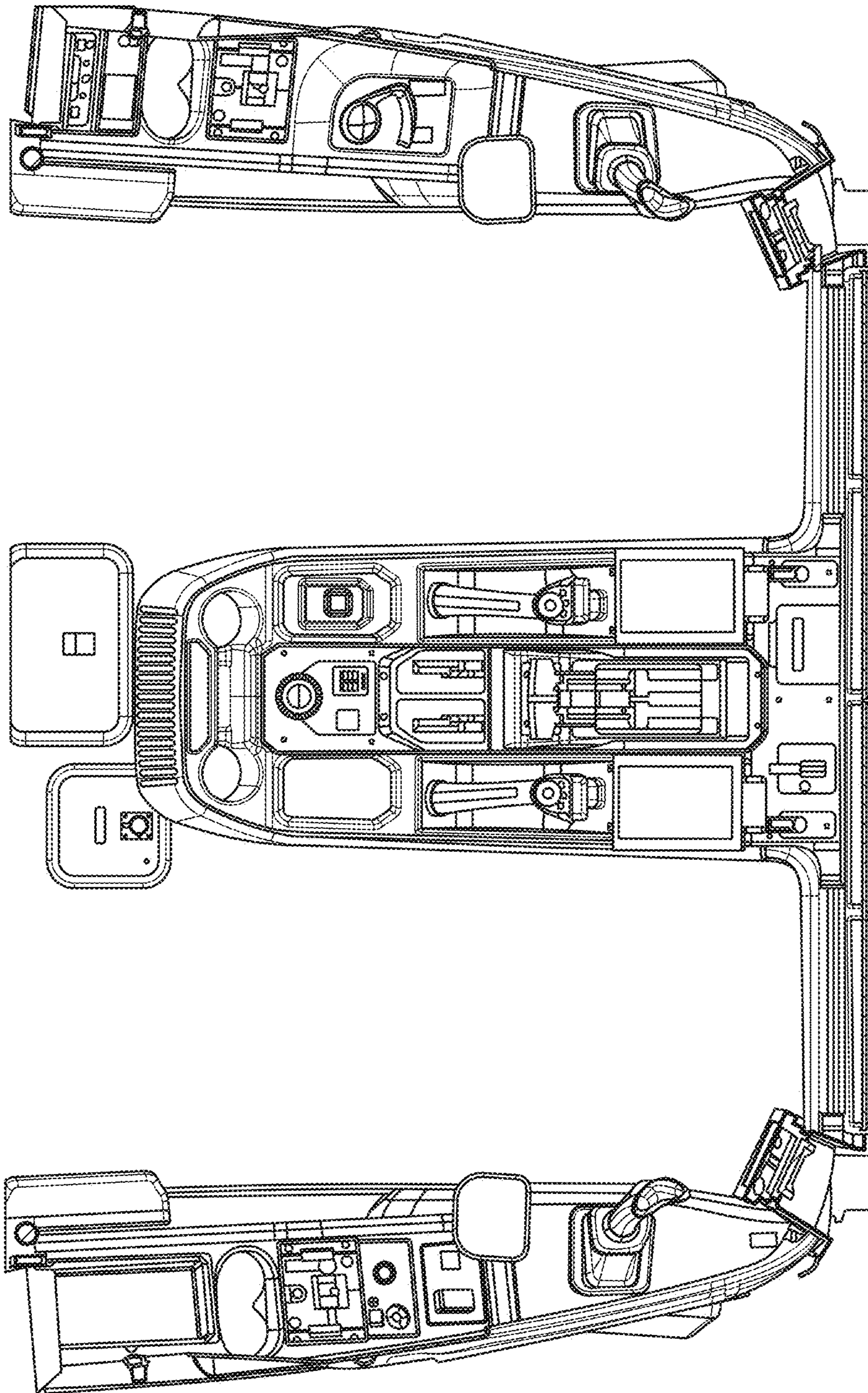


FIG. 6

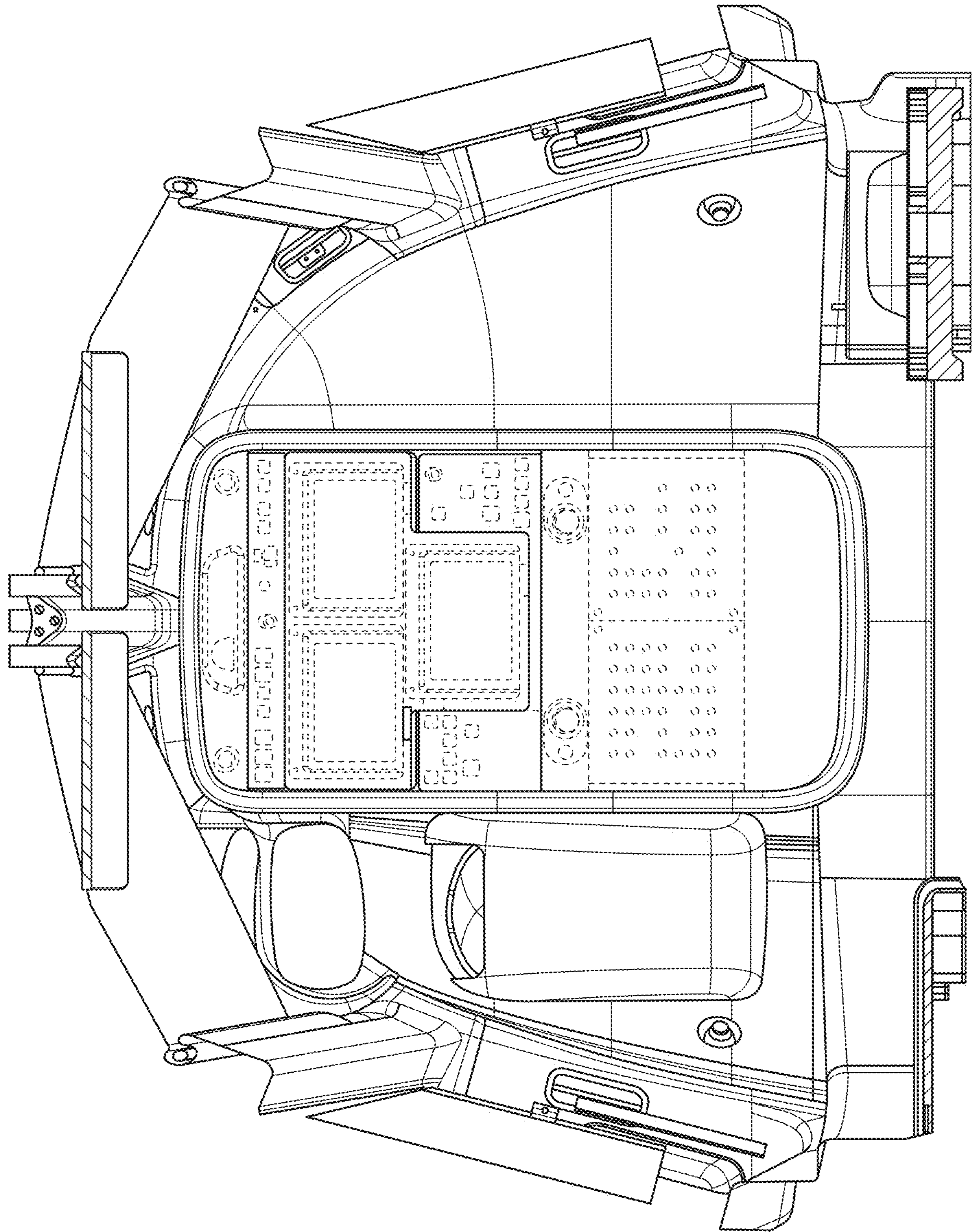


FIG. 7