



US00D871289S

(12) **United States Design Patent** (10) **Patent No.:** **US D871,289 S**
Kana (45) **Date of Patent:** **** Dec. 31, 2019**

(54) **EXHAUST MUFFLER FOR AUTOMOBILE**
 (71) Applicant: **Stephen A. Kana**, Katy, TX (US)
 (72) Inventor: **Stephen A. Kana**, Katy, TX (US)
 (**) Term: **15 Years**
 (21) Appl. No.: **29/654,690**
 (22) Filed: **Jun. 26, 2018**
 (51) **LOC (12) Cl.** **12-16**
 (52) **U.S. Cl.**
 USPC **D12/194**
 (58) **Field of Classification Search**
 USPC D12/194
 CPC F01N 1/085; F01N 1/088; F01N 2470/18
 See application file for complete search history.

(56) **References Cited**
 U.S. PATENT DOCUMENTS
 5,746,611 A * 5/1998 Brown H01R 13/5213
 439/135
 6,023,071 A * 2/2000 Ogura G01T 1/2942
 250/458.1
 D456,750 S * 5/2002 McWilliams D12/114
 7,104,359 B1 * 9/2006 Zelinski F01N 1/083
 181/238
 10,403,085 B2 * 9/2019 Calhoun G07F 17/3211
 2005/0279572 A1 * 12/2005 Birgersson F01N 1/083
 181/272
 2007/0144828 A1 * 6/2007 Galligan F01N 1/081
 181/258

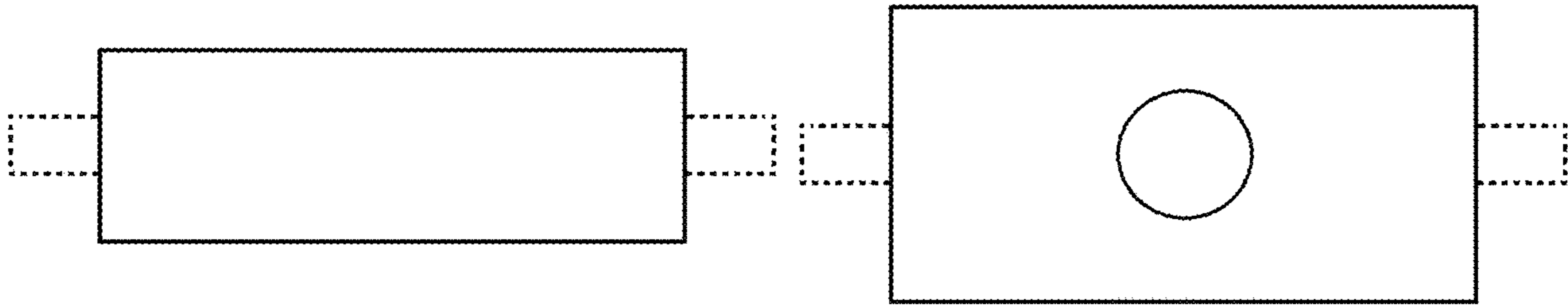
2008/0023264 A1 * 1/2008 Pacini F01N 1/165
 181/237
 2013/0233643 A1 * 9/2013 Butler F01N 1/085
 181/268
 2015/0014091 A1 * 1/2015 Butler F01N 1/08
 181/268
 2015/0330422 A1 * 11/2015 Brock F15D 1/009
 123/568.17
 2018/0313247 A1 * 11/2018 Bauknecht F01N 3/2066
 2019/0107019 A1 * 4/2019 Ostromecki G10K 11/172
 2019/0178124 A1 * 6/2019 Ostromecki F01N 1/003

* cited by examiner
Primary Examiner — Michael A. Pratt
 (74) *Attorney, Agent, or Firm* — Keeling Law, LLC;
 Kenneth A. Keeling; Mark S. Solomon

(57) **CLAIM**
 I claim the ornamental design for an exhaust muffler for automobile, as shown and described.

DESCRIPTION
 FIG. 1 is a perspective view of an exhaust muffler for automobile of the present invention;
 FIG. 2 is a front elevational view thereof (rear elevational view is identical);
 FIG. 3 is a right side elevational view thereof (left side elevational view is identical); and,
 FIG. 4 is a top plan view thereof (bottom plan view is identical).
 In the drawings, the broken lines show portions of environmental structure that form no part of the claimed design.

1 Claim, 4 Drawing Sheets



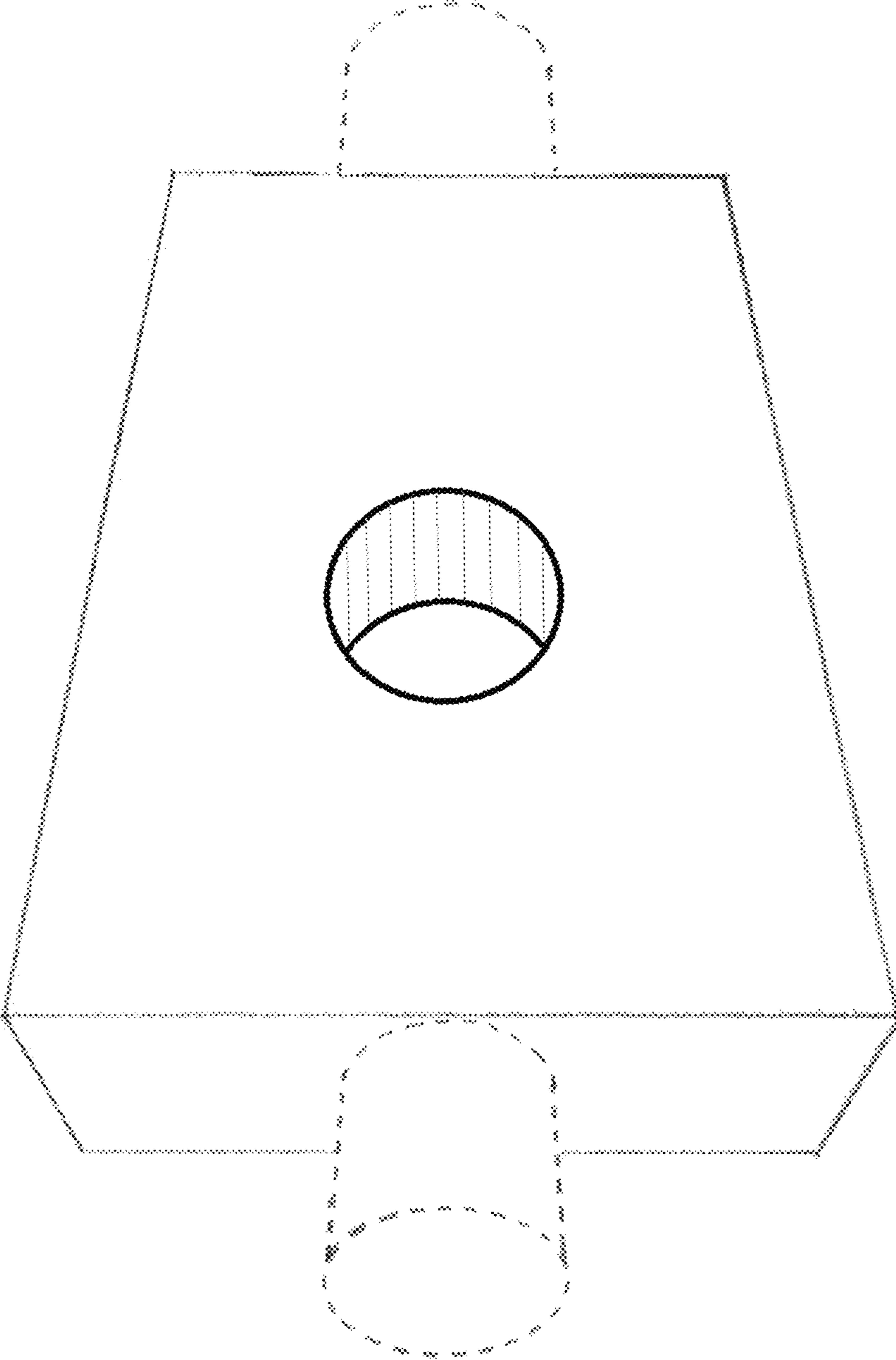


Figure 1

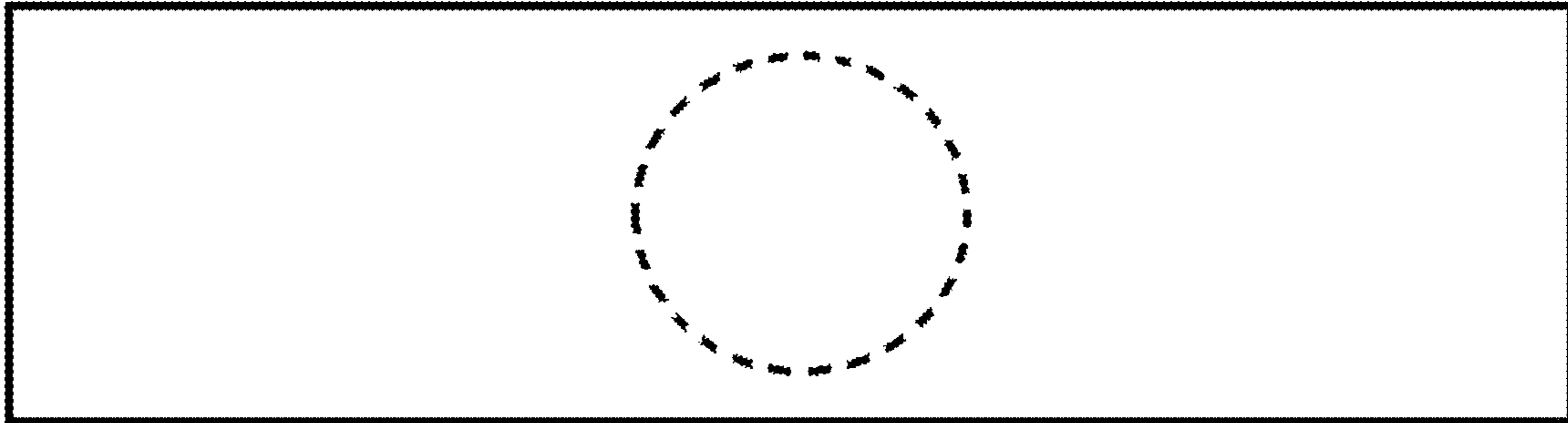


Figure 2



Figure 3

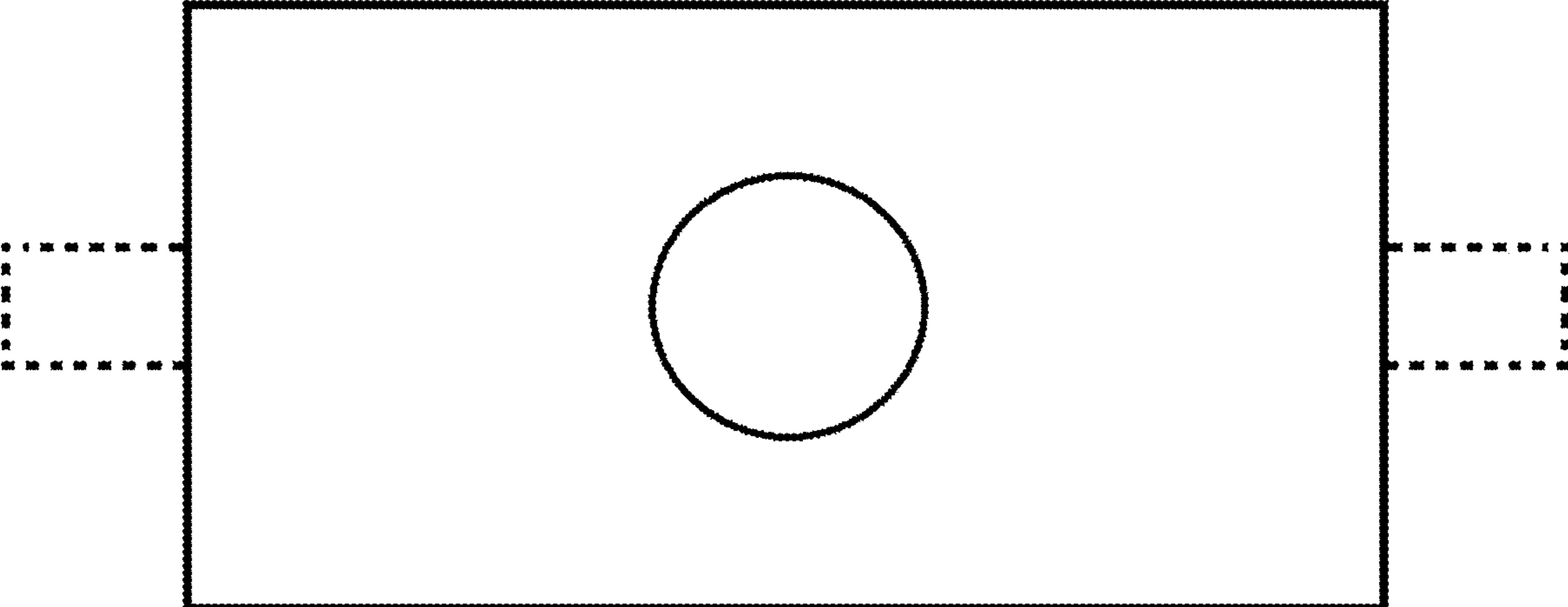


Figure 4