



US00D871282S

(12) **United States Design Patent** (10) **Patent No.:** **US D871,282 S**
Lee et al. (45) **Date of Patent:** **** Dec. 31, 2019**

(54) **FRONT BUMPER FOR AN AUTOMOBILE**

(71) Applicants: **HYUNDAI MOTOR COMPANY**,
Seoul (KR); **KIA MOTORS**
CORPORATION, Seoul (KR)

(72) Inventors: **Seung Jin Lee**, Changwon-si (KR);
Won Sik Ham, Seoul (KR); **Min Jae**
Kwon, Seoul (KR)

(73) Assignees: **Hyundai Motor Company**, Seoul
(KR); **Kia Motors Corporation**, Seoul
(KR)

(**) Term: **15 Years**

(21) Appl. No.: **35/506,227**

(22) Filed: **Jun. 18, 2018**

(80) **Hague Agreement Data**

Int. Filing Date: **Jun. 18, 2018**
Int. Reg. No.: **DM/101838**
Int. Reg. Date: **Jun. 18, 2018**
Int. Reg. Pub. Date: **Dec. 21, 2018**

(30) **Foreign Application Priority Data**

Apr. 13, 2018 (KR) 30-2018-0017452

(51) **LOC (12) Cl.** **12-16**

(52) **U.S. Cl.**
USPC **D12/169**

(58) **Field of Classification Search**
USPC D12/421, 433-434
See application file for complete search history.

(56) **References Cited**

U.S. PATENT DOCUMENTS

D616,343 S * 5/2010 Fukui D12/169
D633,013 S * 2/2011 Bauer D12/169

D636,303 S * 4/2011 Frei D12/169
D656,871 S * 4/2012 Fetherston D12/169
D688,992 S * 9/2013 Hildebrand D12/169
D691,526 S * 10/2013 Uchino D12/169
D694,677 S * 12/2013 Matsueda D12/169
D698,710 S * 2/2014 Endo D12/169
D747,243 S * 1/2016 Patel D12/169
D787,991 S * 5/2017 Lee D12/169
D793,921 S * 8/2017 Takamatsu D12/169
D800,029 S * 10/2017 Jung D12/169
D801,241 S * 10/2017 Park D12/169
D809,440 S * 2/2018 Kang D12/169
D817,826 S * 5/2018 Seo D12/169
D839,154 S * 1/2019 Kim D12/169
D841,533 S * 2/2019 Imai D12/169
D843,899 S * 3/2019 Nakajima D12/169
D847,042 S * 4/2019 Pinazzo D12/169
D850,997 S * 6/2019 Messale D12/169
D855,513 S * 8/2019 Park D12/169
D856,222 S * 8/2019 Thogersen D12/169
D856,226 S * 8/2019 Shin D12/169
D856,873 S * 8/2019 Kim D12/169
D857,570 S * 8/2019 Chung D12/169

* cited by examiner

Primary Examiner — Michael A. Pratt

(74) *Attorney, Agent, or Firm* — Mintz Levin Cohn Ferris
Glovsky and Popeo, P.C.; Peter F. Corless; Carolina E.
Säve

(57) **CLAIM**

The ornamental design for front bumper for an automobile,
as shown and described.

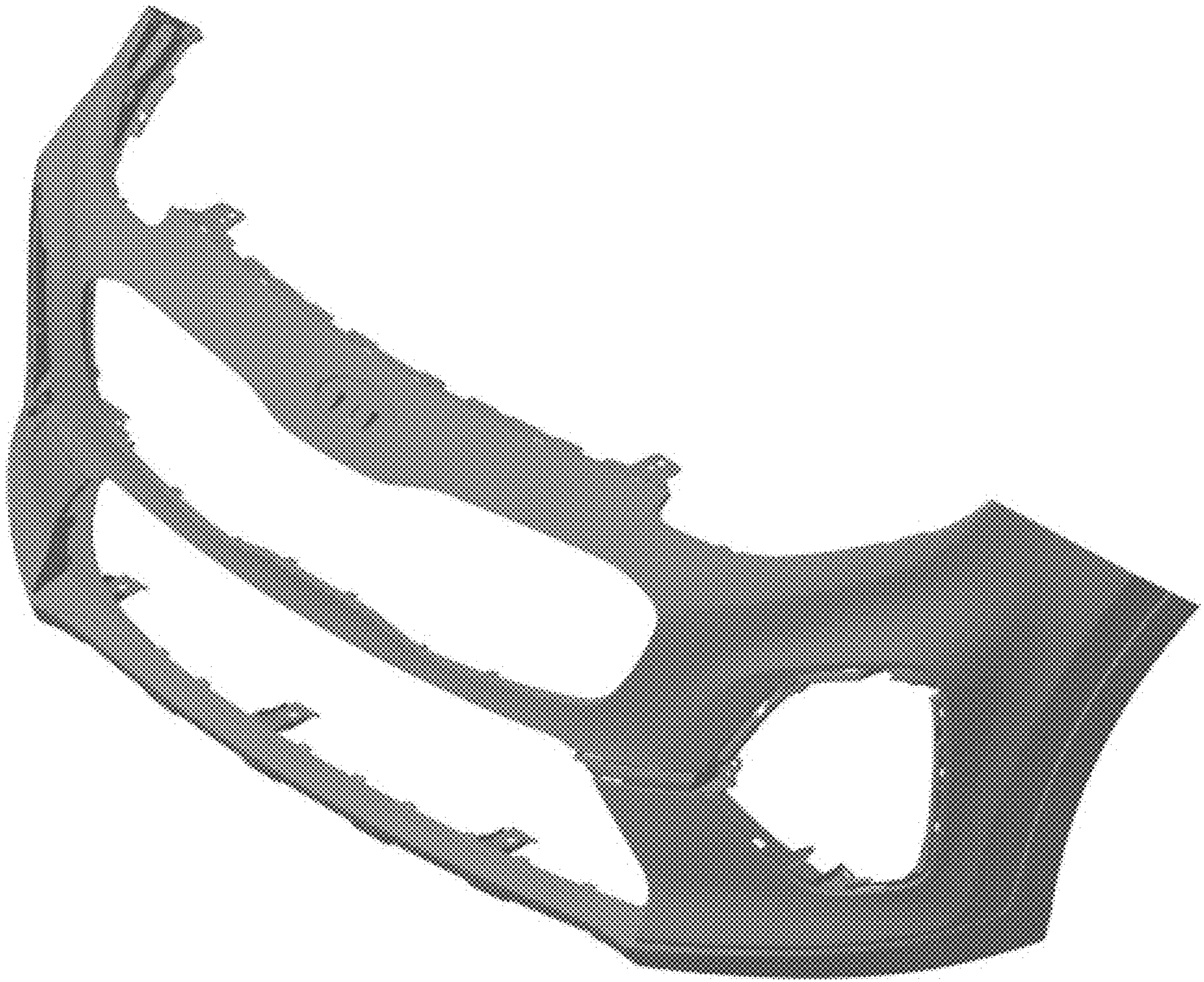
DESCRIPTION

- 1. Front bumper for automobile
- 1.1 : Perspective
- 1.2 : Front
- 1.3 : Back
- 1.4 : Left
- 1.5 : Right
- 1.6 : Top
- 1.7 : Bottom

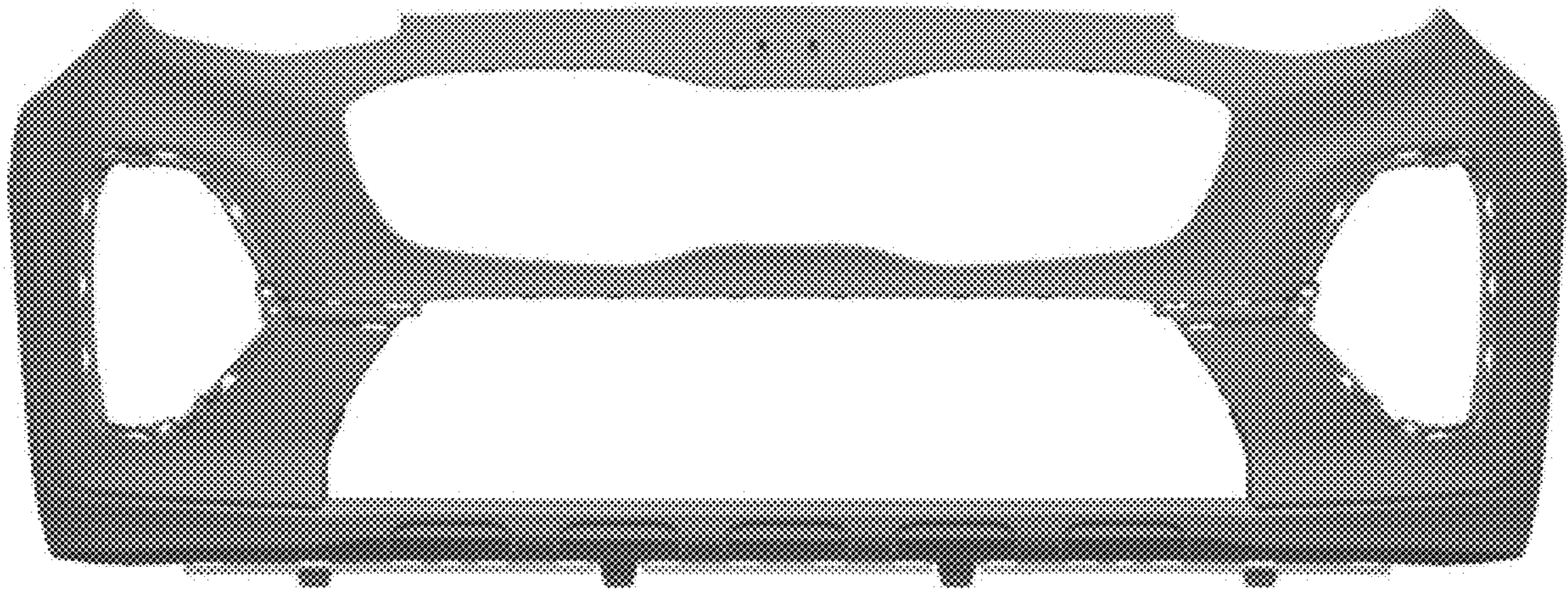
1 Claim, 7 Drawing Sheets



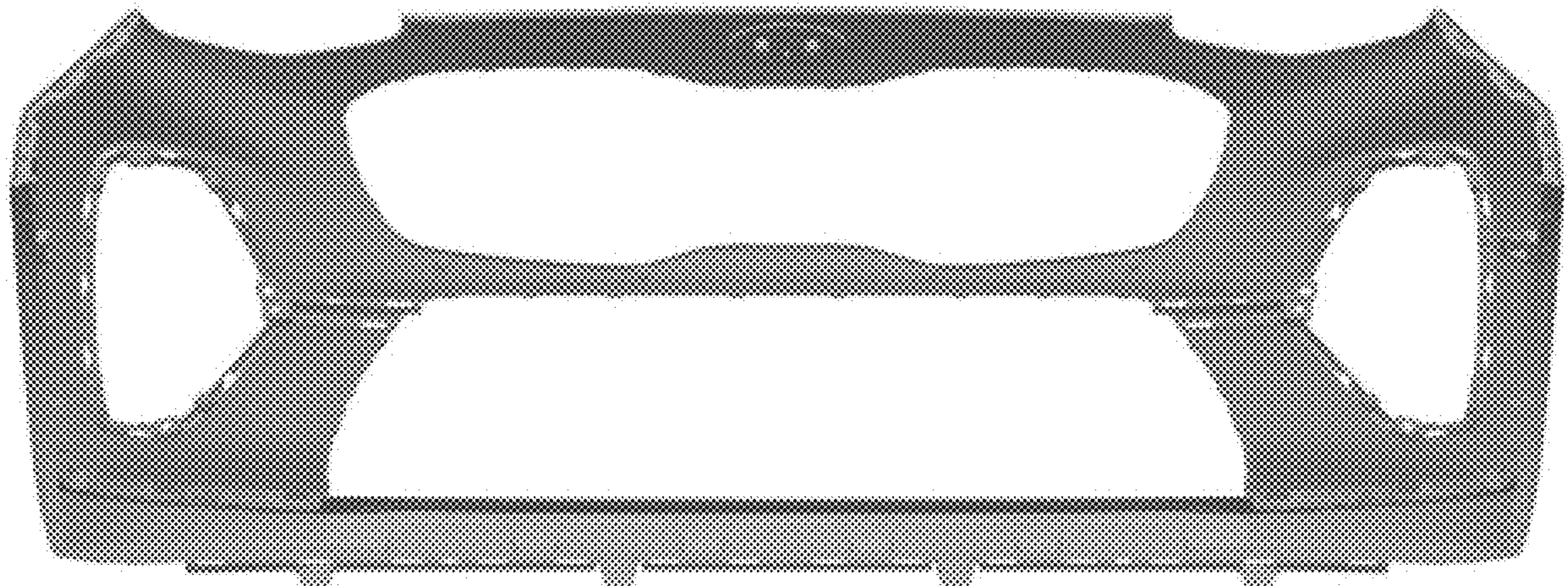
1.1



1.2



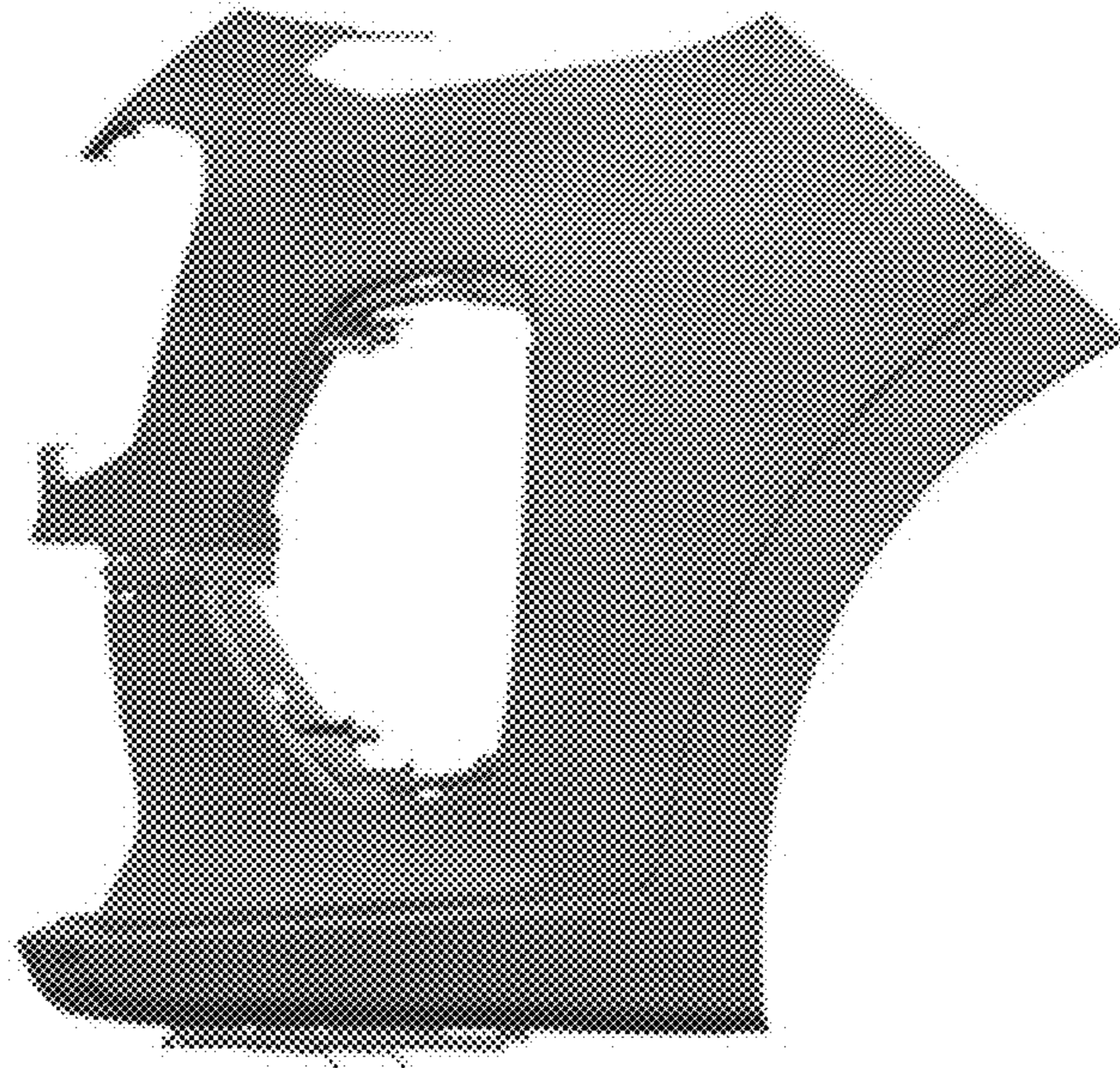
1.3



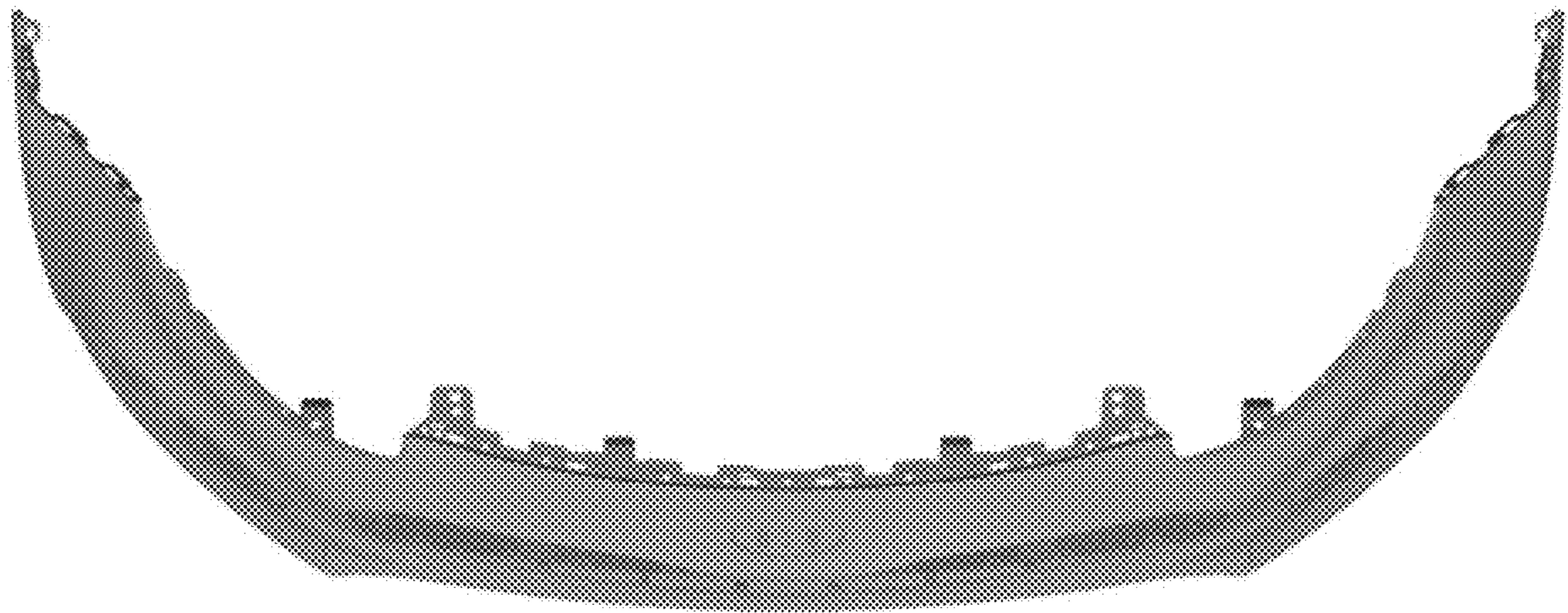
1.4



1.5



1.6



1.7

