



US00D871273S

(12) **United States Design Patent**
Bhaskar

(10) **Patent No.:** **US D871,273 S**

(45) **Date of Patent:** **** Dec. 31, 2019**

(54) **INDEPENDENT SUSPENSION ARM FOR A VEHICLE HAVING A DIAGONAL REINFORCING MEMBER**

2018/0281517 A1* 10/2018 Gordon F16C 7/02
2019/0077206 A1* 3/2019 Pavesio B60G 7/008

* cited by examiner

(71) Applicant: **Cruisemaster Australia Pty Ltd,**
Geebung (AU)

Primary Examiner — Michael A. Pratt

(74) *Attorney, Agent, or Firm* — Workman Nydegger

(72) Inventor: **Andrew Alistair Bhaskar,** Geebung
(AU)

(57) **CLAIM**

The ornamental design for an independent suspension arm for a vehicle having a diagonal reinforcing member, as shown and described.

(73) Assignee: **CRUISEMASTER AUSTRALIA PTY LTD,** Geebung (AU)

DESCRIPTION

(**) Term: **15 Years**

FIG. 1 is a front view of an independent suspension arm for a vehicle having a diagonal reinforcing member having the inventive design;

(21) Appl. No.: **29/649,896**

FIG. 2 is a rear view of the independent suspension arm for a vehicle having a diagonal reinforcing member shown in FIG. 1;

(22) Filed: **Jun. 3, 2018**

FIG. 3 is a top front right side perspective view of the independent suspension arm for a vehicle having a diagonal reinforcing member shown in FIG. 1;

(30) **Foreign Application Priority Data**

Dec. 4, 2017 (AU) 201717413

FIG. 4 is a right side view of the independent suspension arm for a vehicle having a diagonal reinforcing member shown in FIG. 1;

(51) **LOC (12) Cl.** **12-16**

(52) **U.S. Cl.**
USPC **D12/159**

FIG. 5 is a top view of the independent suspension arm for a vehicle having a diagonal reinforcing member shown in FIG. 1;

(58) **Field of Classification Search**
USPC D12/159
CPC B60G 3/185; B60G 3/14; B60G 2204/129
See application file for complete search history.

FIG. 6 is a bottom view of the independent suspension arm for a vehicle having a diagonal reinforcing member shown in FIG. 1;

(56) **References Cited**

U.S. PATENT DOCUMENTS

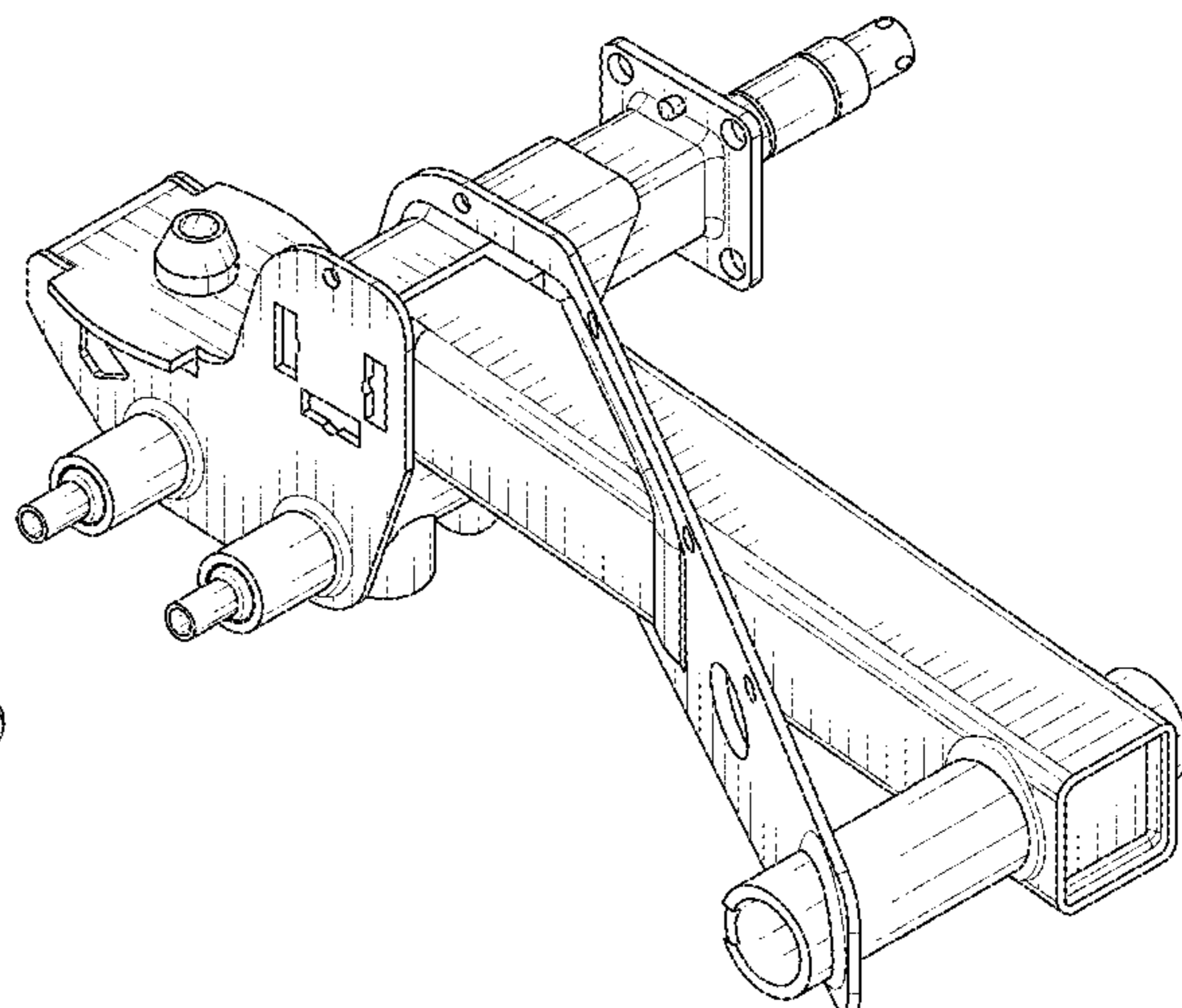
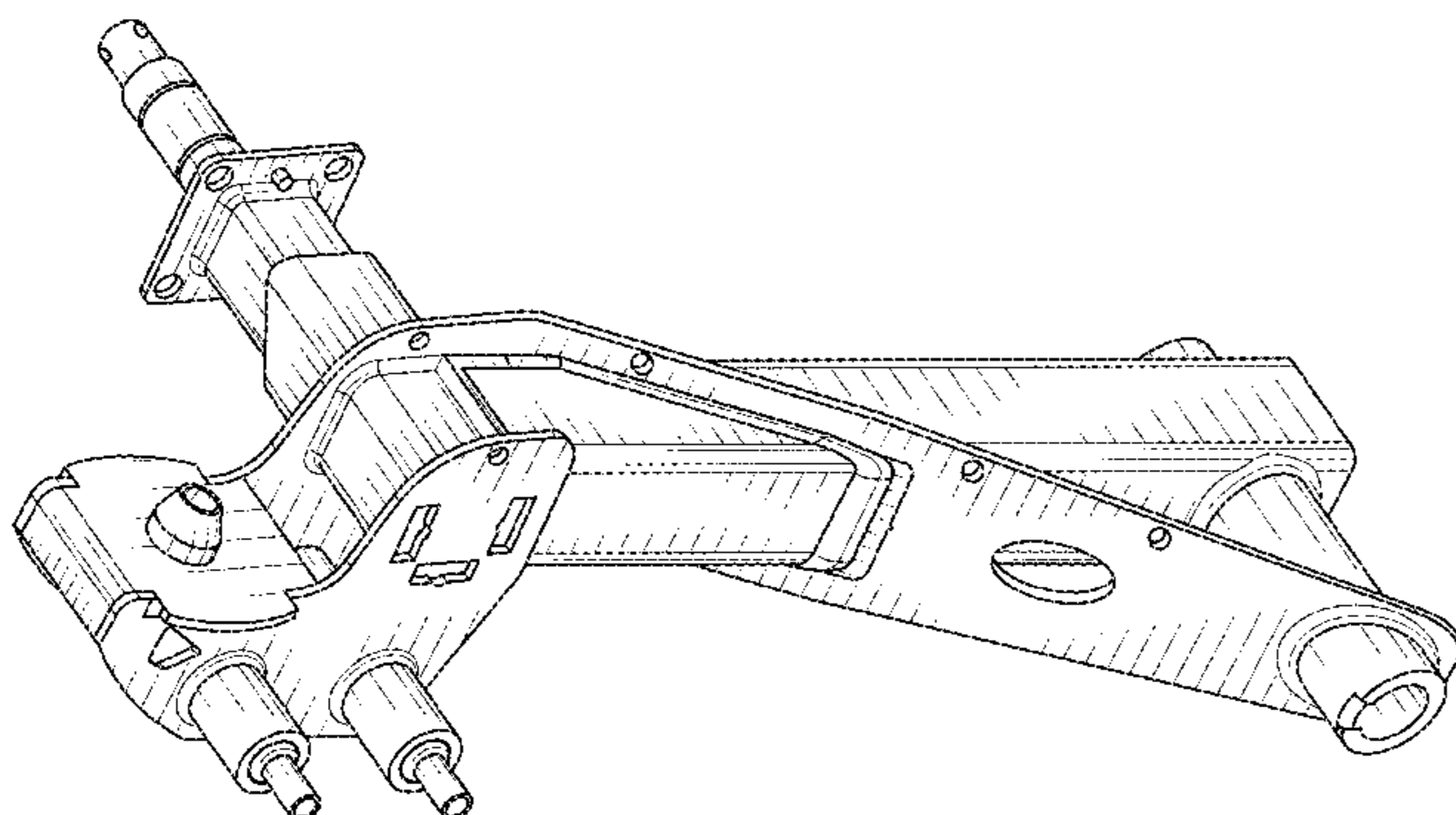
5,303,946 A * 4/1994 Youmans B60G 3/185
280/405.1
2008/0252031 A1* 10/2008 Dudding B60G 7/001
280/124.116
2009/0173033 A1* 7/2009 Baxter, Jr. A63J 1/00
52/646
2015/0191064 A1* 7/2015 Gielisch B60G 3/145
280/124.129
2017/0050673 A1* 2/2017 Gordon B62D 17/00
2018/0127034 A1* 5/2018 Zindler B60G 3/26

FIG. 7 is a top front left side view of the independent suspension arm for a vehicle having a diagonal reinforcing member shown in FIG. 1;

FIG. 8 is a bottom front right side perspective view of the independent suspension arm for a vehicle having a diagonal reinforcing member shown in FIG. 1; and,

FIG. 9 is a bottom rear perspective view of the independent suspension arm for a vehicle having a diagonal reinforcing member shown in FIG. 1.

1 Claim, 8 Drawing Sheets



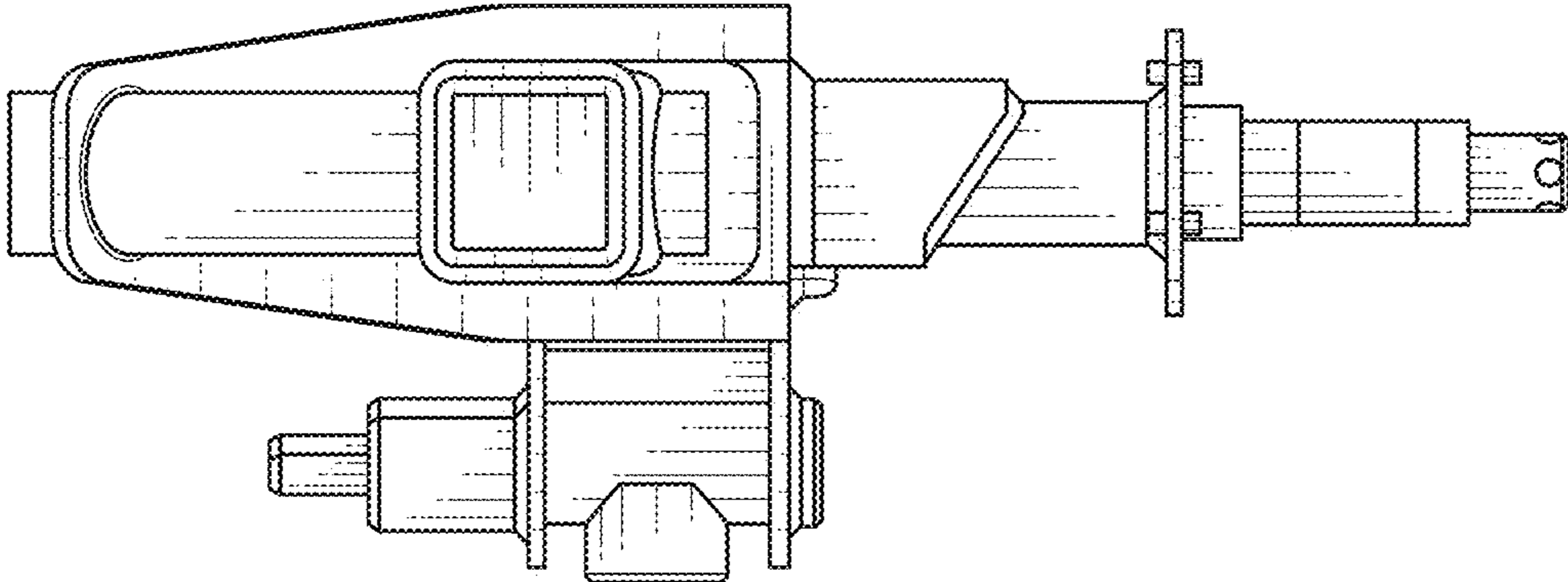


FIG. 1

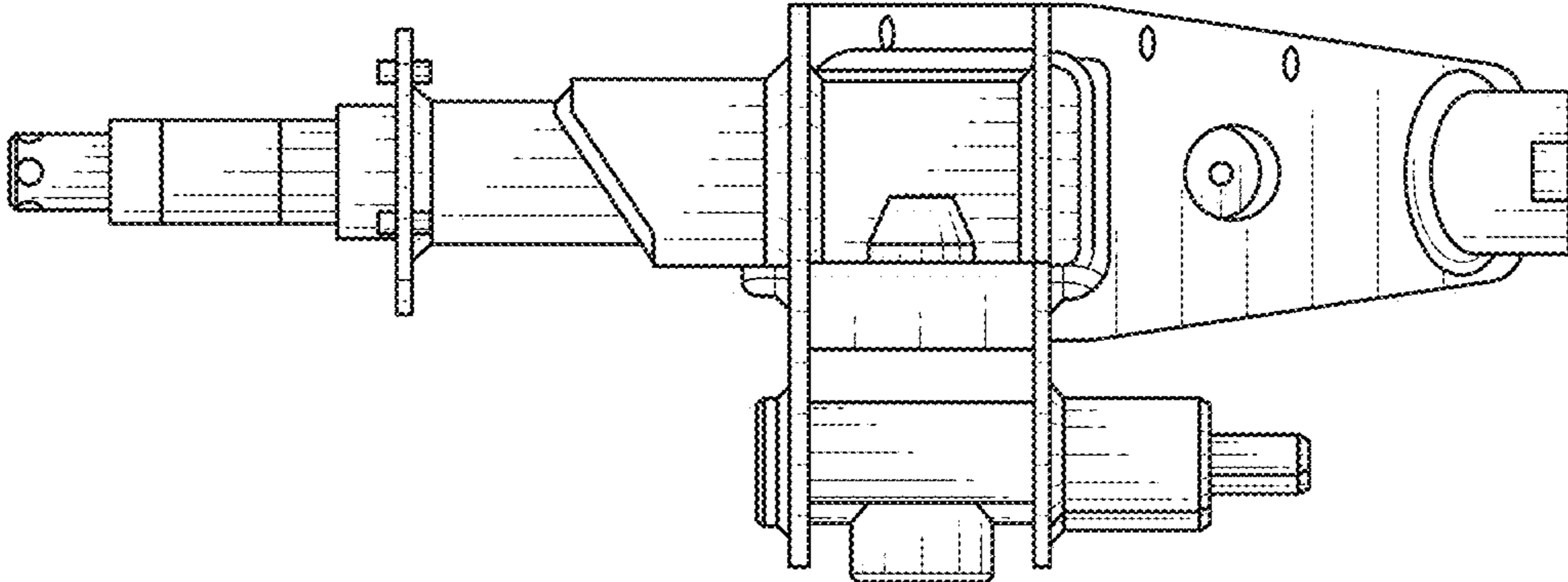


FIG. 2

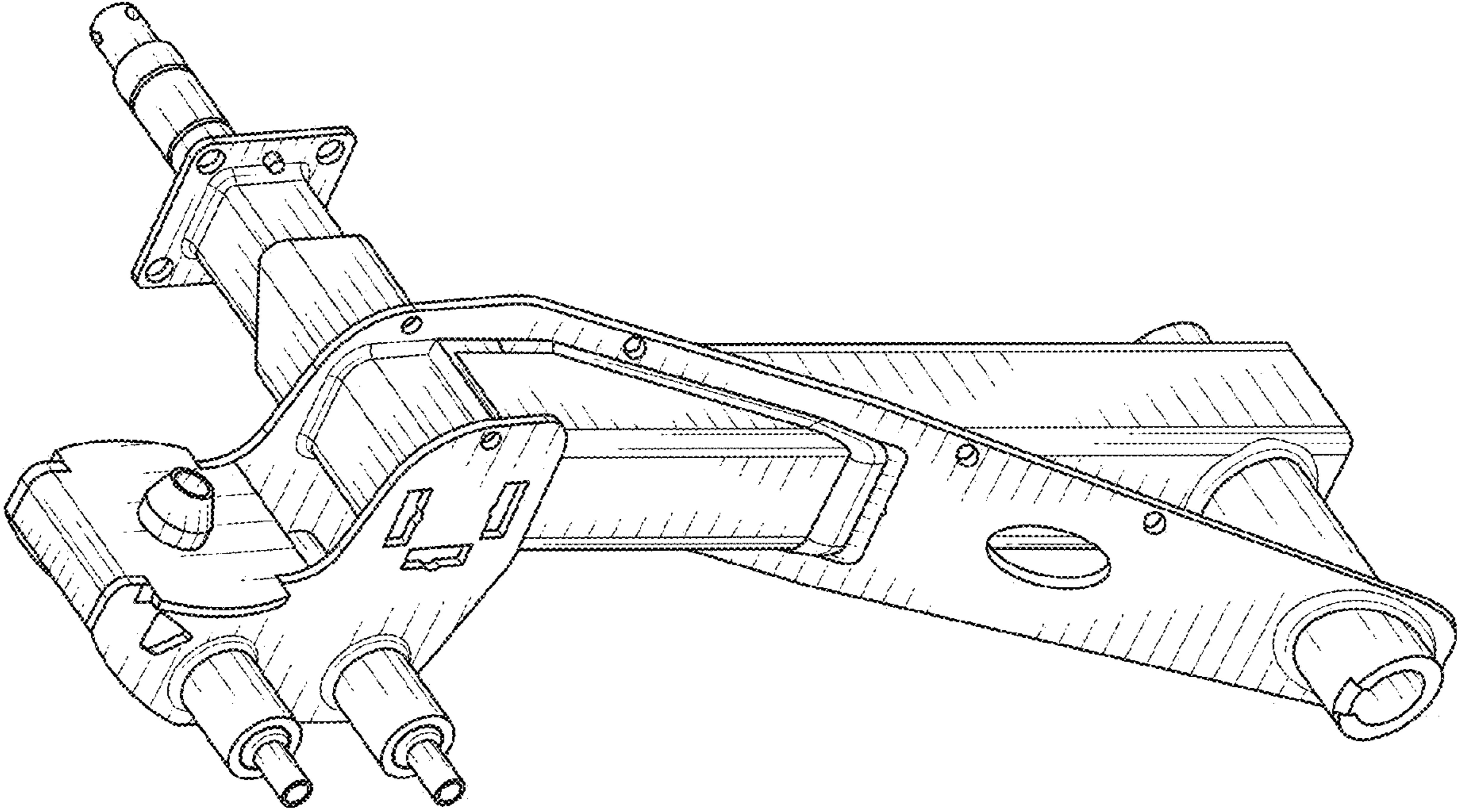


FIG. 3

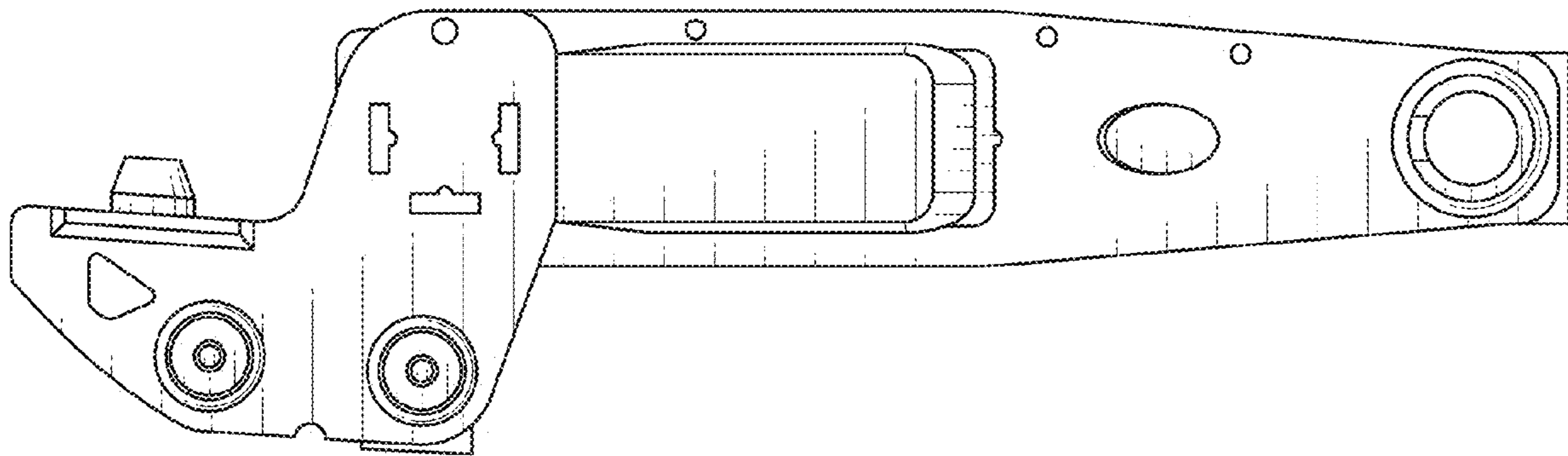


FIG. 4

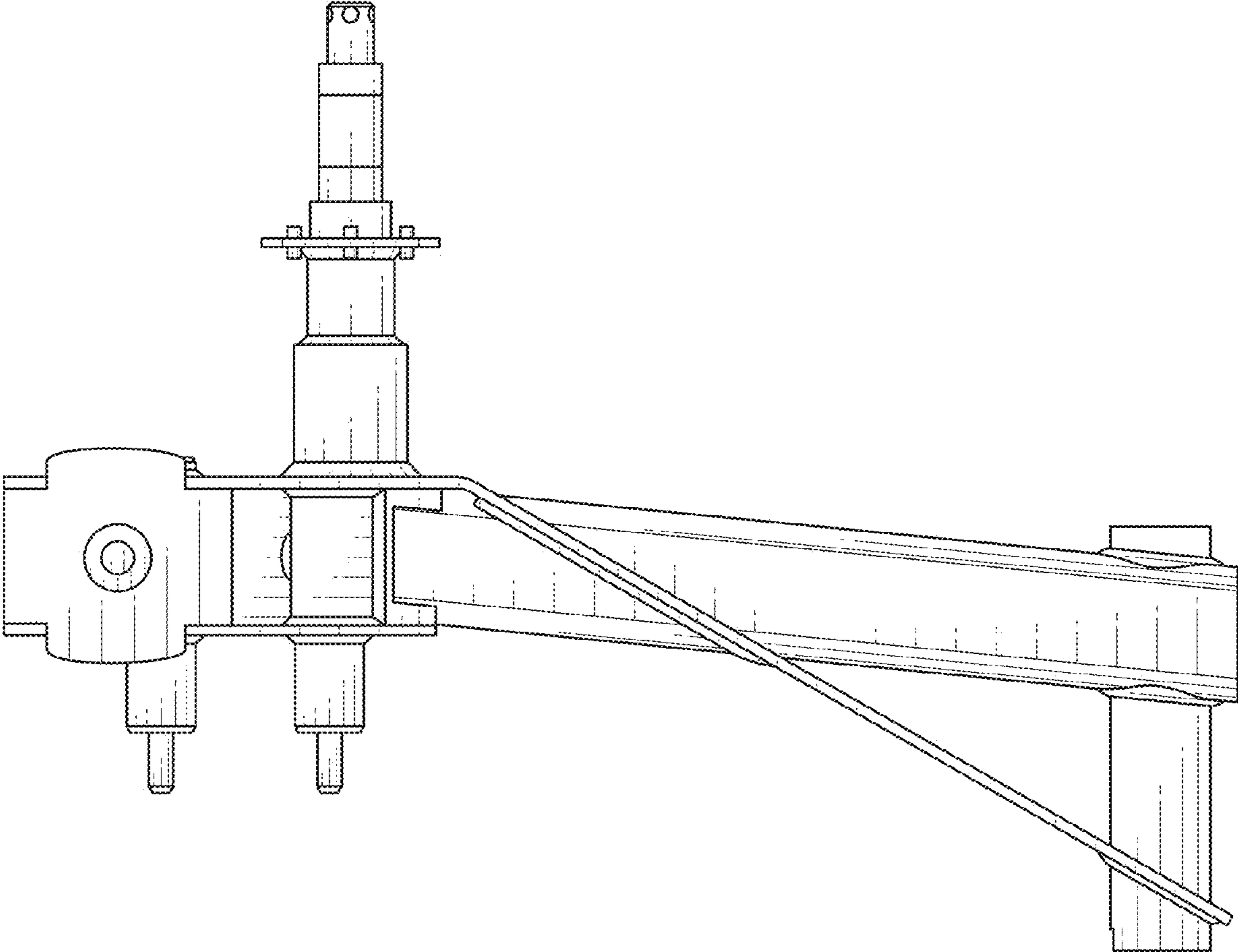


FIG. 5

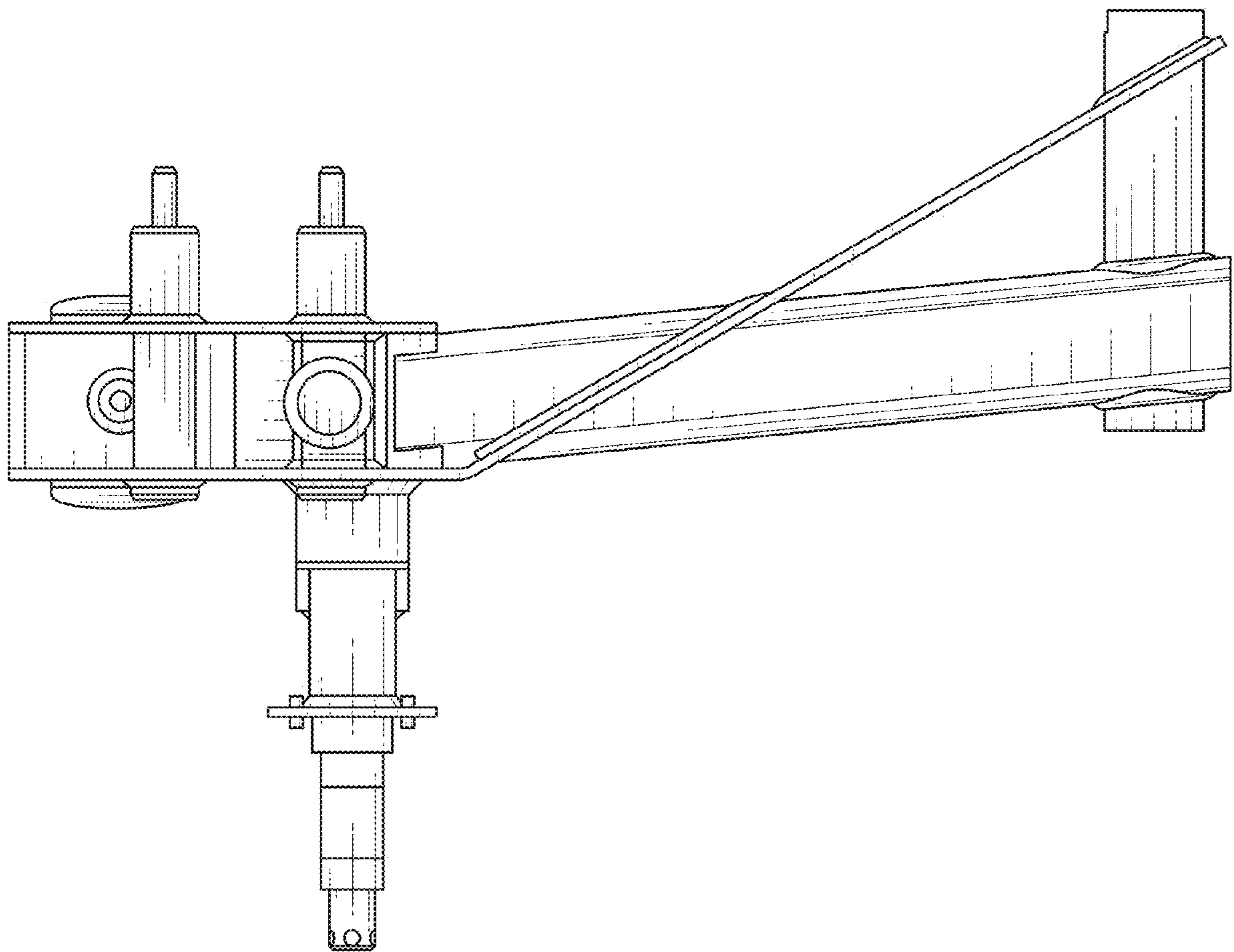


FIG. 6

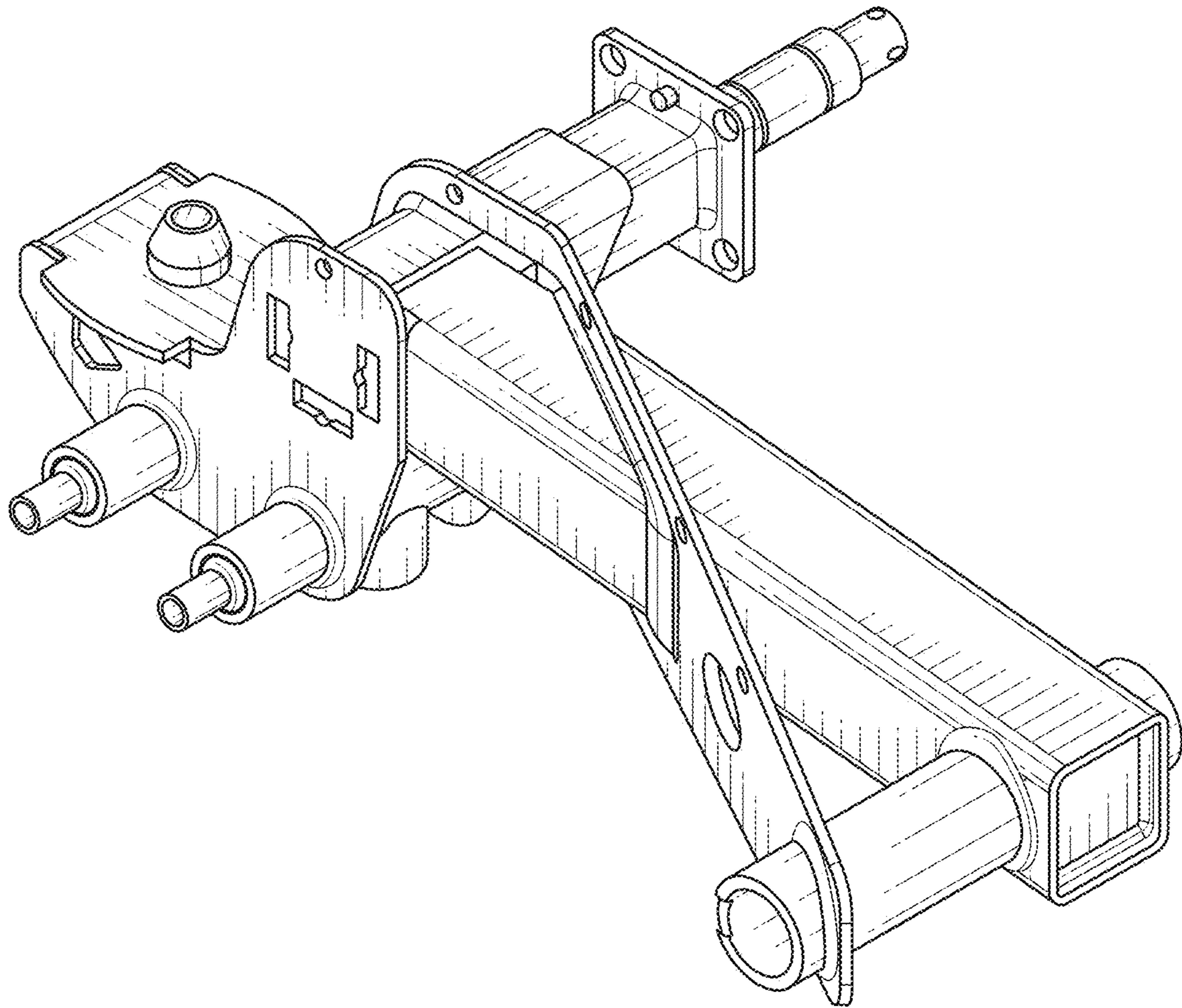


FIG. 7

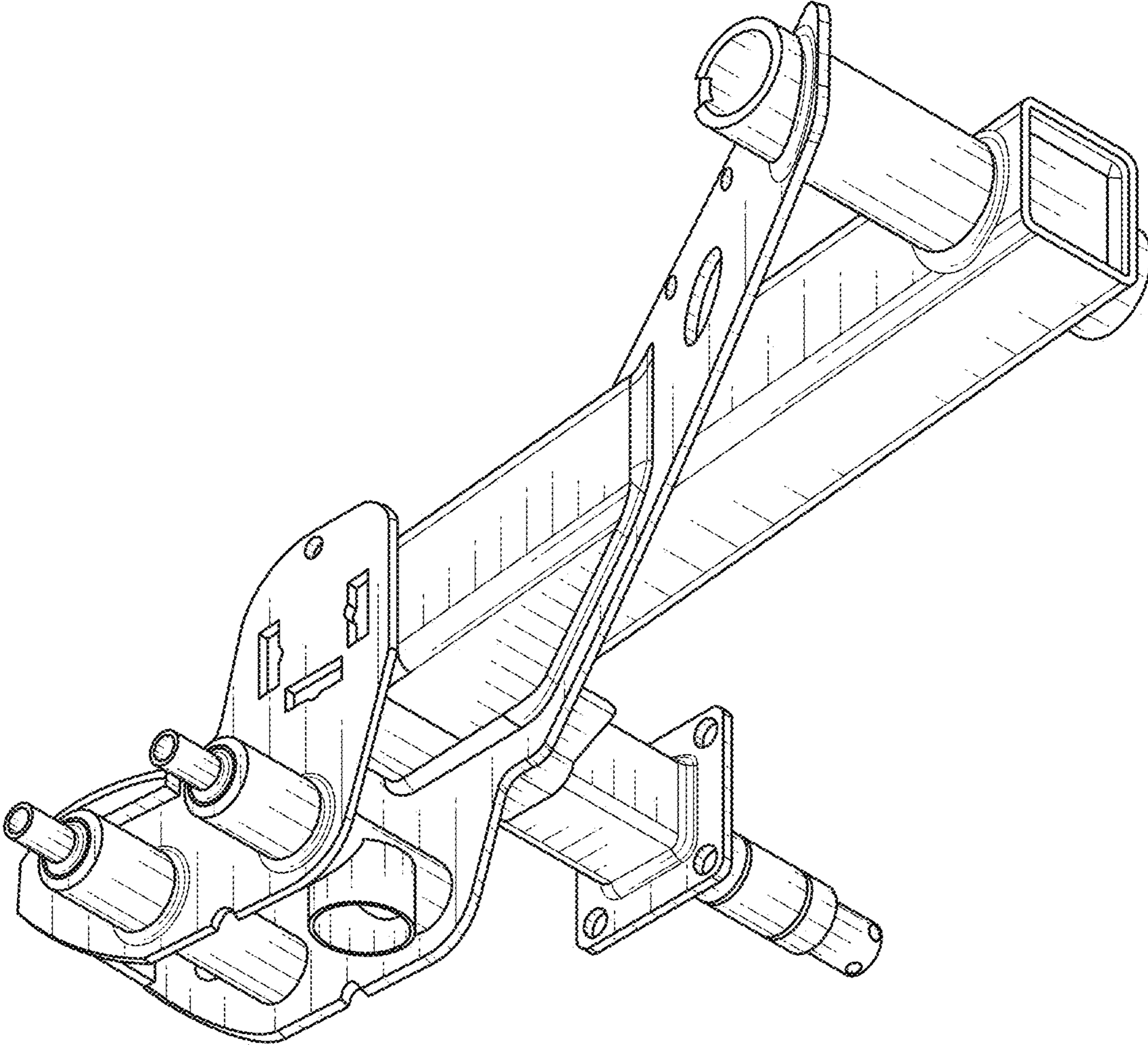


FIG. 8

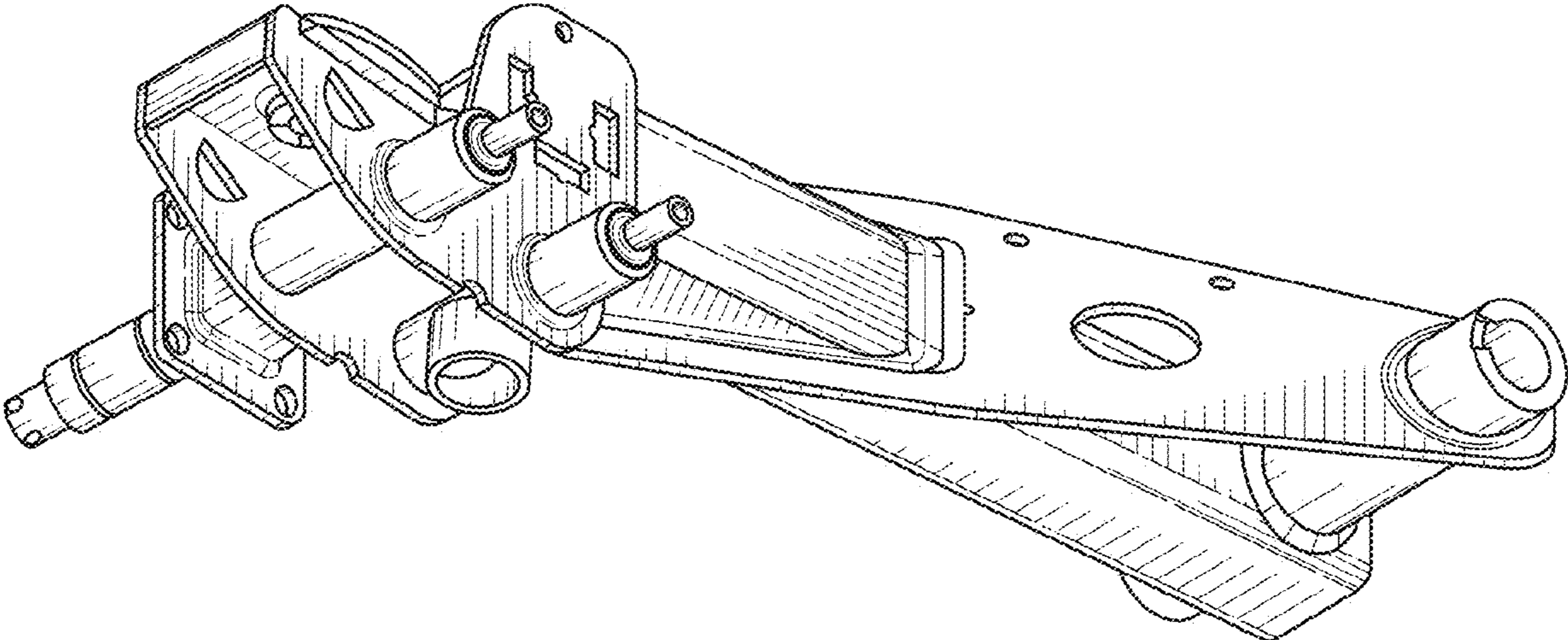


FIG. 9