

US00D871272S

(12) **United States Design Patent**
Cheng

(10) **Patent No.:** **US D871,272 S**

(45) **Date of Patent:** **** Dec. 31, 2019**

- (54) **ELECTRIC WHEELCHAIR**
- (71) Applicant: **MERITS HEALTH PRODUCTS CO., LTD.**, Taichung (TW)
- (72) Inventor: **Ming-Chuan Cheng**, Taichung (TW)
- (73) Assignee: **MERITS HEALTH PRODUCTS CO., LTD.**, Taichung (TW)

- D627,270 S * 11/2010 Kretschmer D12/131
- D632,229 S * 2/2011 Kruse D12/131
- 8,616,309 B2 * 12/2013 Art A61G 5/042
180/65.1
- 8,851,214 B2 * 10/2014 Mirzaie A61G 5/043
180/65.1
- D745,441 S * 12/2015 Ohruh D12/131
- D824,292 S * 7/2018 Surbeck D12/131
- D833,919 S * 11/2018 McCollough D12/131

(**) Term: **15 Years**

(21) Appl. No.: **29/653,686**

(22) Filed: **Jun. 18, 2018**

(51) **LOC (12) Cl.** **12-12**

(52) **U.S. Cl.**
USPC **D12/131**

(58) **Field of Classification Search**
USPC D12/128-133
CPC A61G 5/04; A61G 5/041-047; A61G
2005/048

See application file for complete search history.

(56) **References Cited**

U.S. PATENT DOCUMENTS

- D397,645 S * 9/1998 Schaffner D12/131
- D404,693 S * 1/1999 Schaffner D12/131
- 7,021,641 B2 * 4/2006 Wu A61G 5/042
280/250.1
- D523,788 S * 6/2006 Jones D12/131
- 7,066,290 B2 * 6/2006 Fought A61G 5/043
180/65.51
- D590,304 S * 4/2009 Kruse D12/131

* cited by examiner

Primary Examiner — Charles D Hanson

(74) *Attorney, Agent, or Firm* — Muncy, Geissler, Olds & Lowe, P.C.

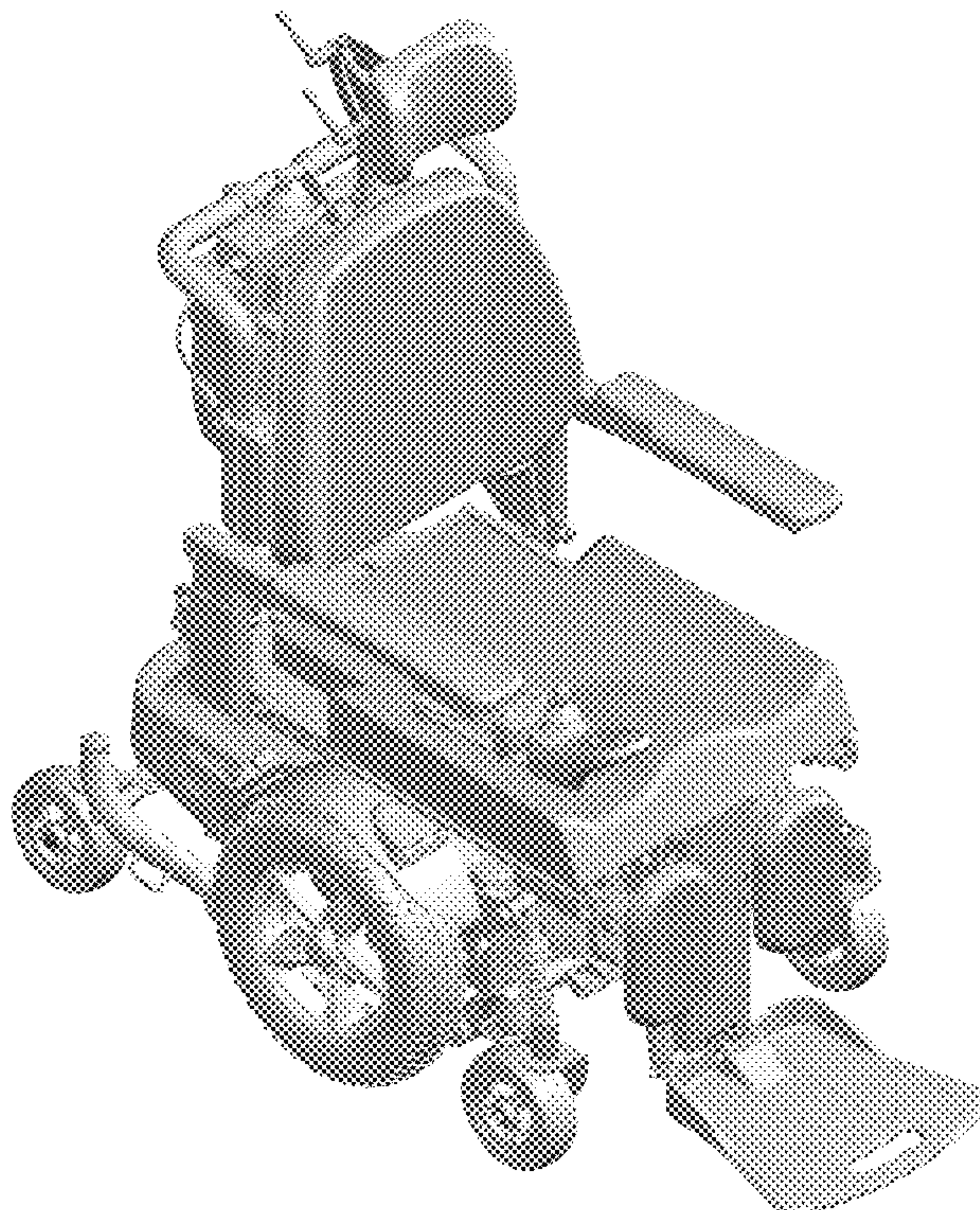
(57) **CLAIM**

The ornamental design for an electric wheelchair, as shown and described.

DESCRIPTION

FIG. 1 is a perspective view of an electric wheelchair showing my new design;
 FIG. 2 is a front elevational view thereof;
 FIG. 3 is a rear elevational view thereof;
 FIG. 4 is a left side elevational view thereof;
 FIG. 5 is a right side elevational view thereof;
 FIG. 6 is a top plan view thereof;
 FIG. 7 is another perspective view thereof;
 FIG. 8 is still another perspective view thereof; and,
 FIG. 9 is still another perspective view thereof.
 The bottom view of the design is omitted because the essential feature does not lie in the bottom portion of the design.

1 Claim, 9 Drawing Sheets



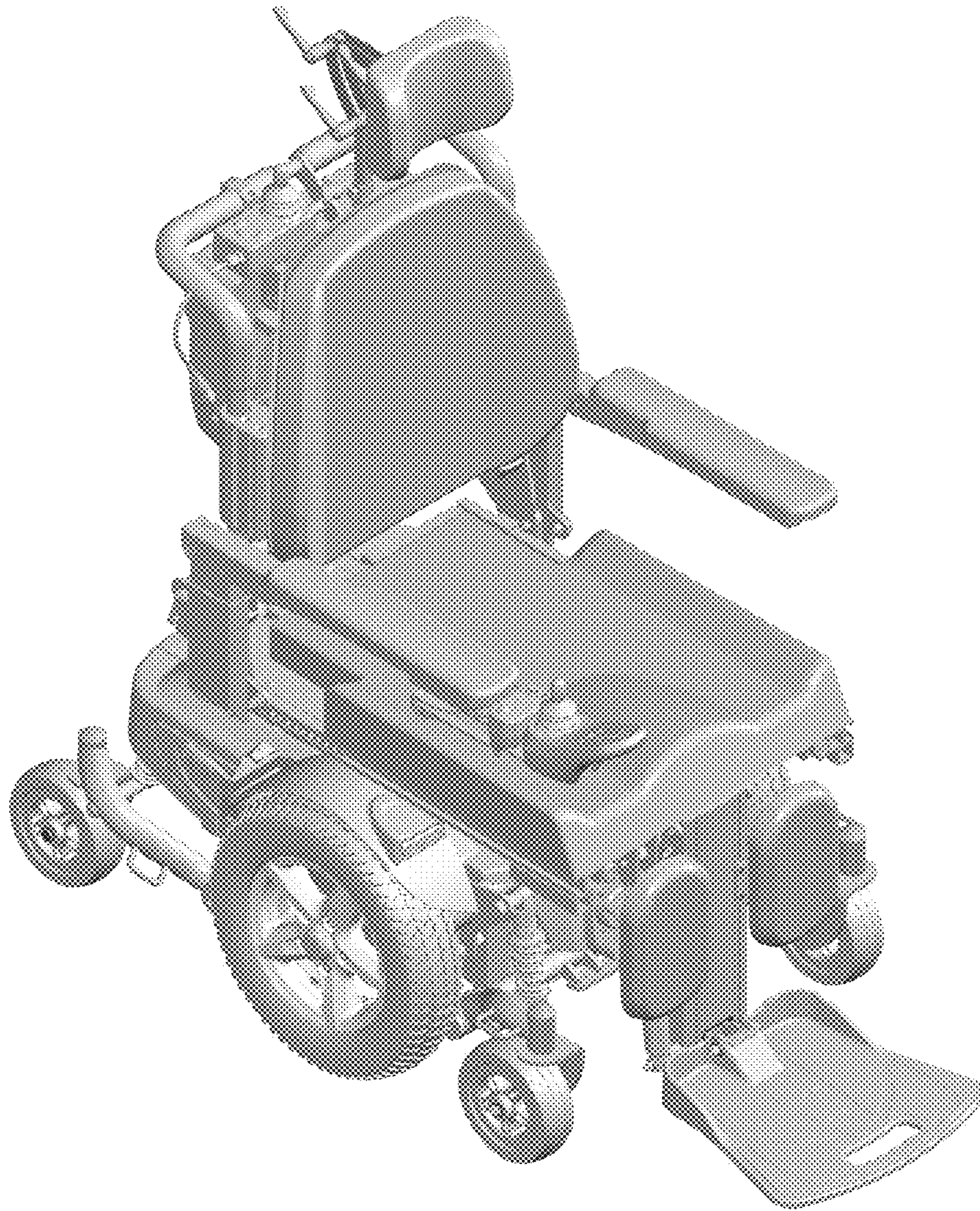


FIG. 1

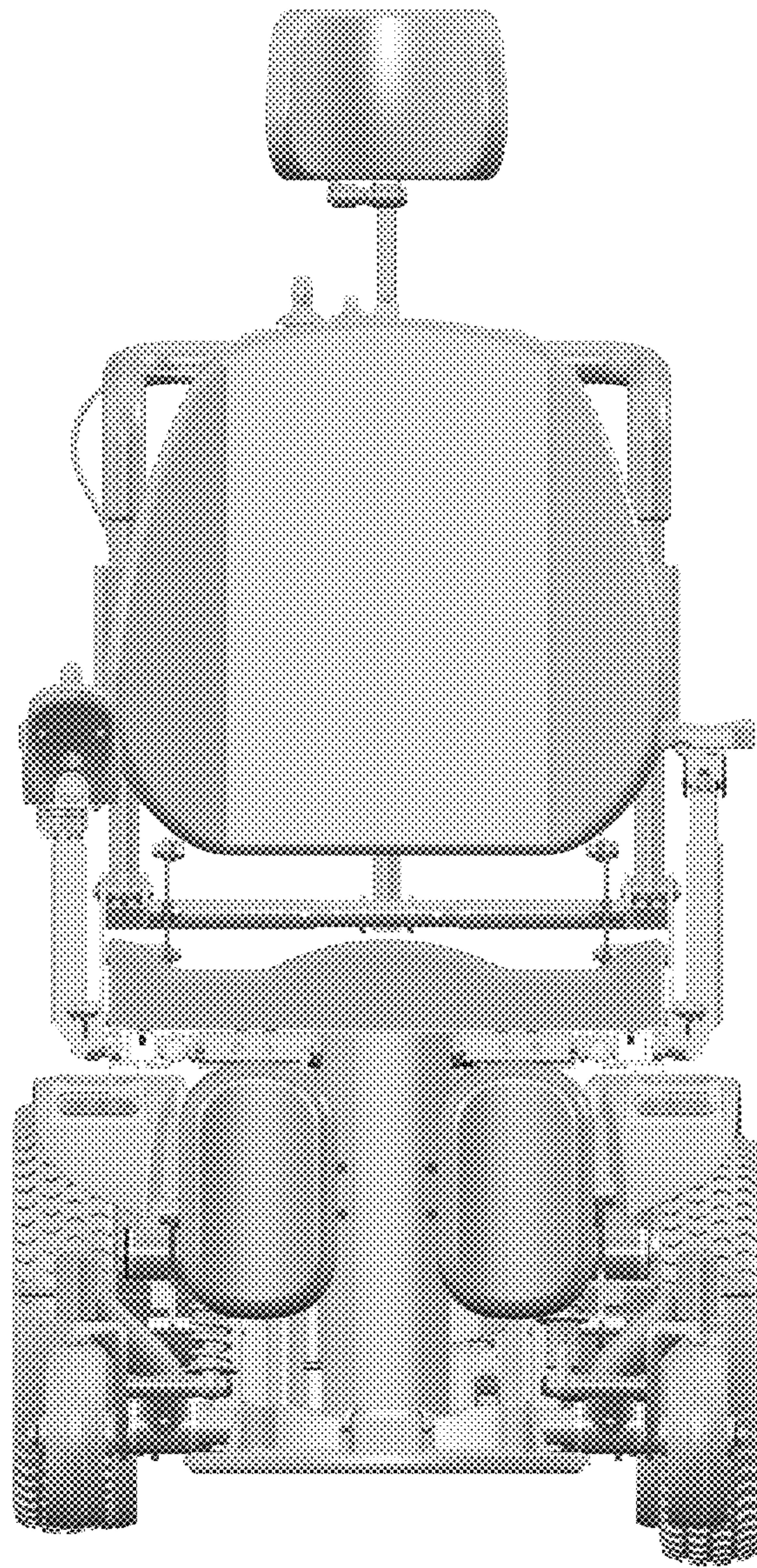


FIG. 2

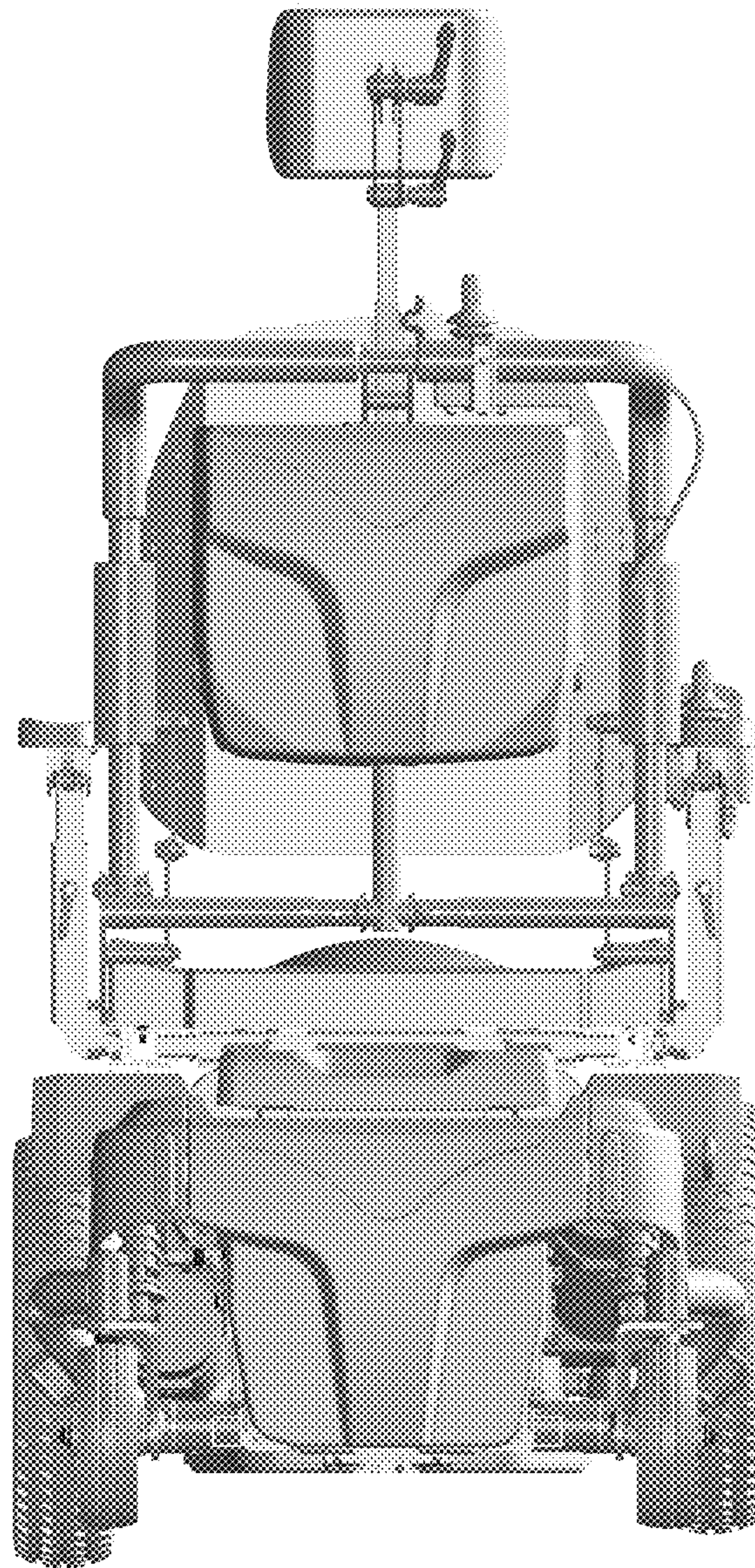


FIG. 3

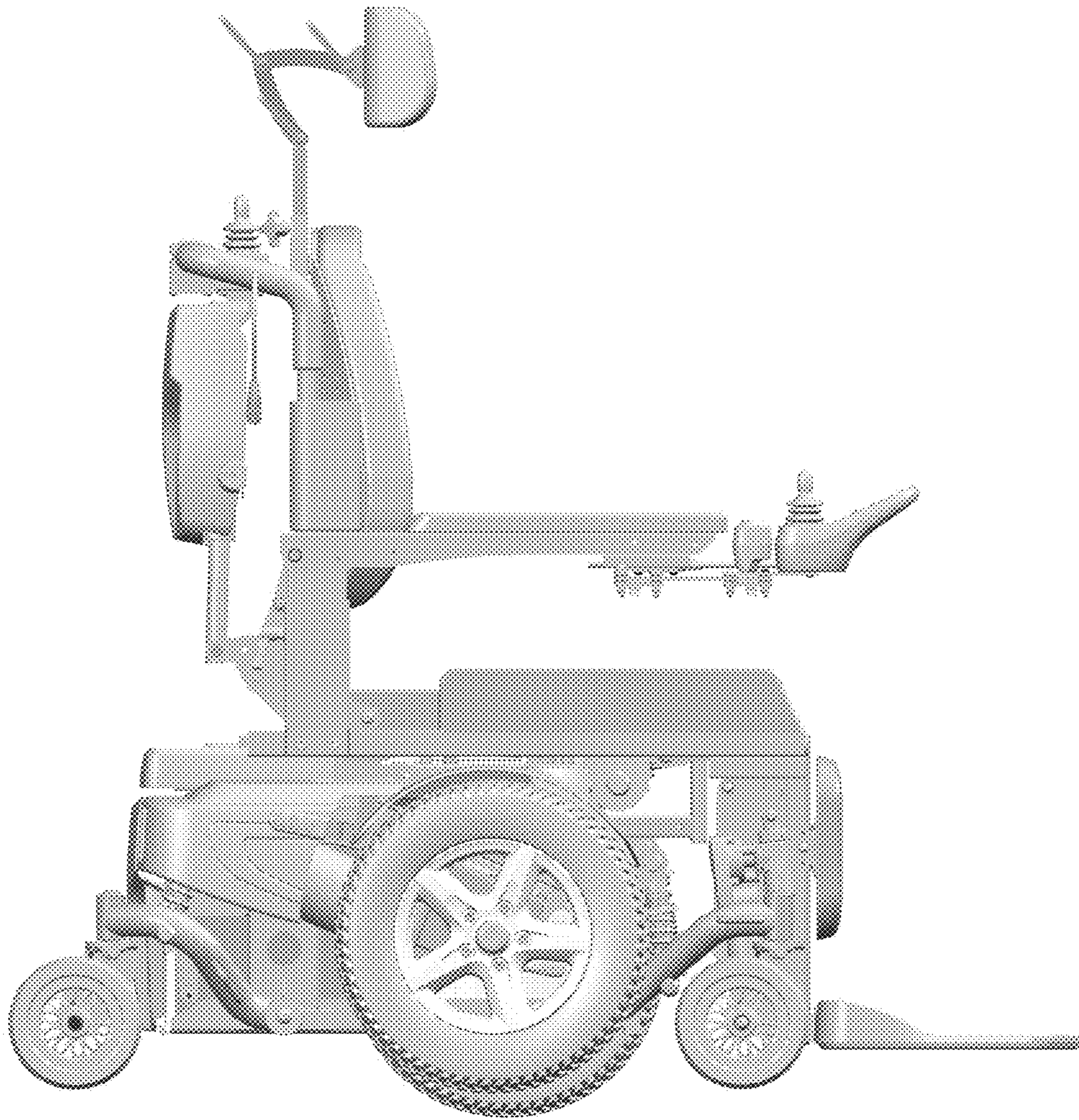


FIG. 4

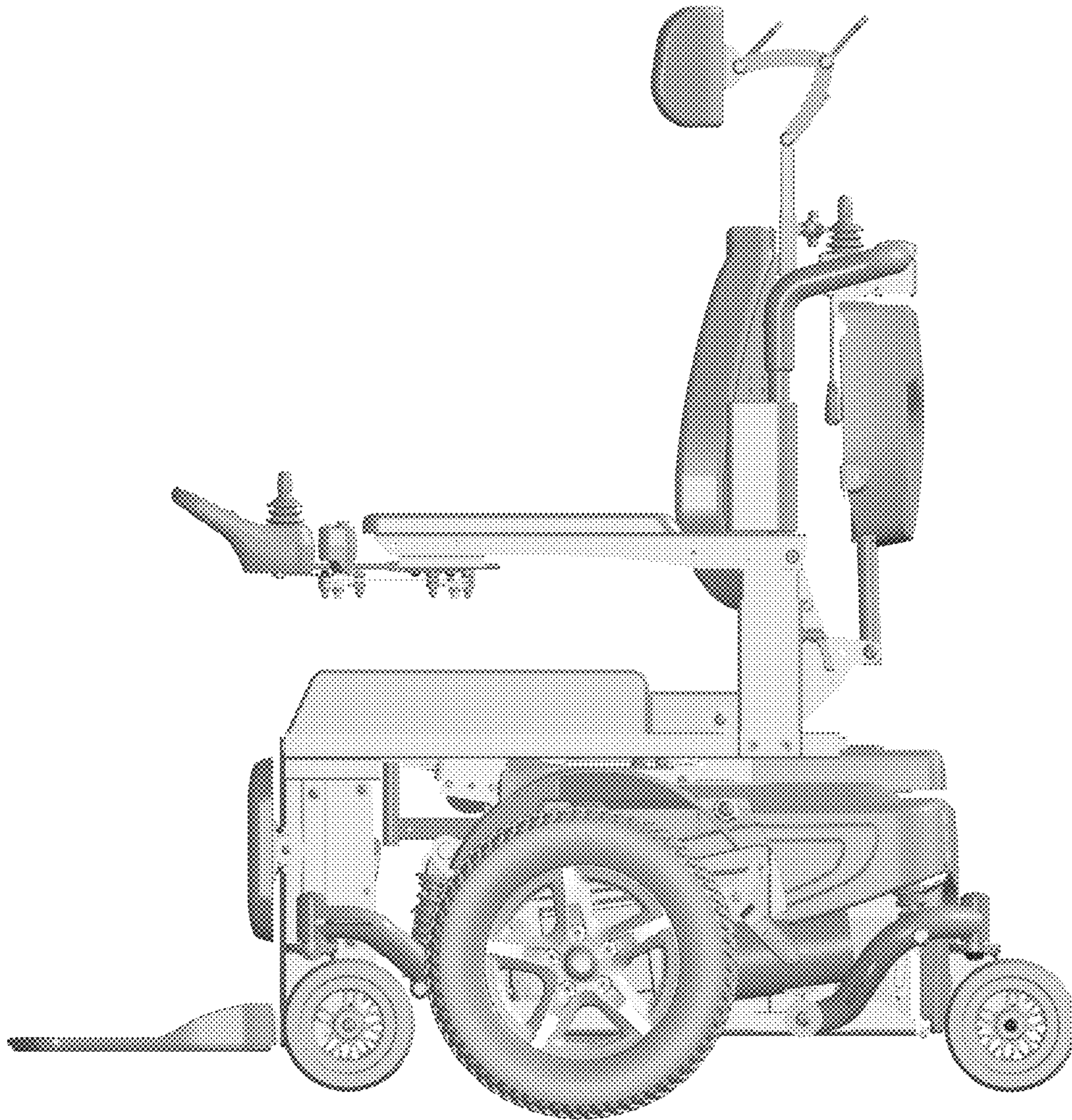


FIG. 5

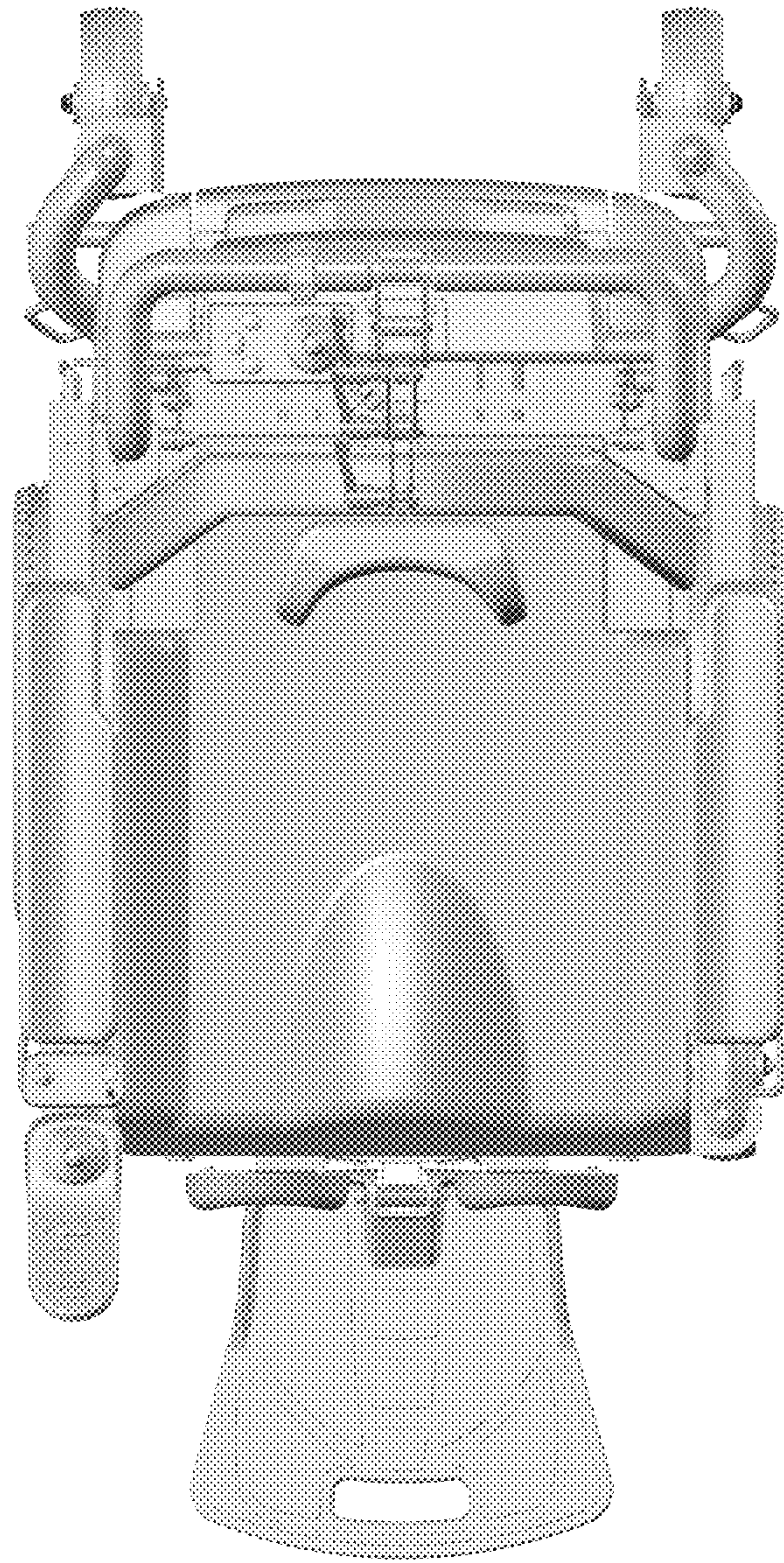


FIG. 6

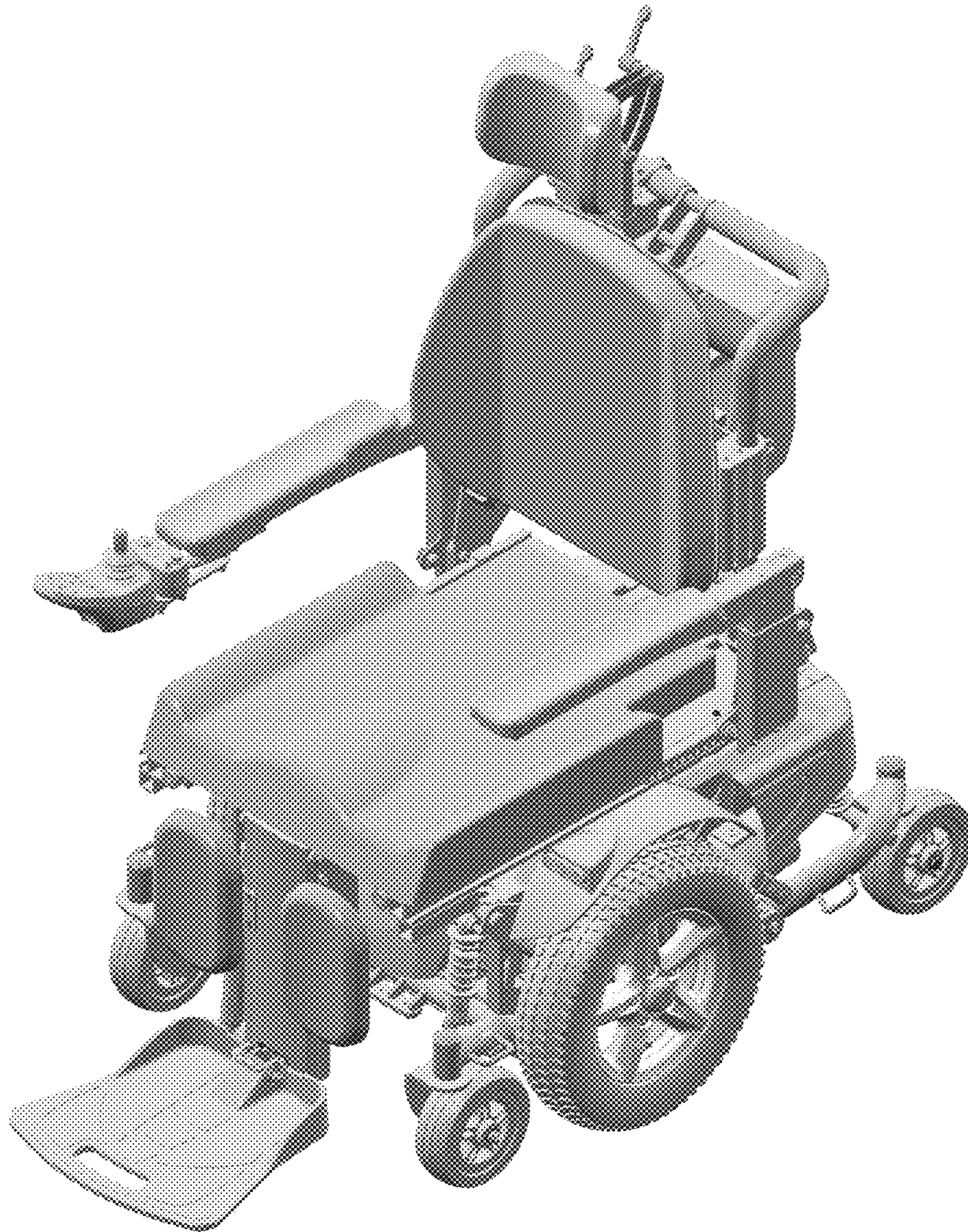


FIG. 7

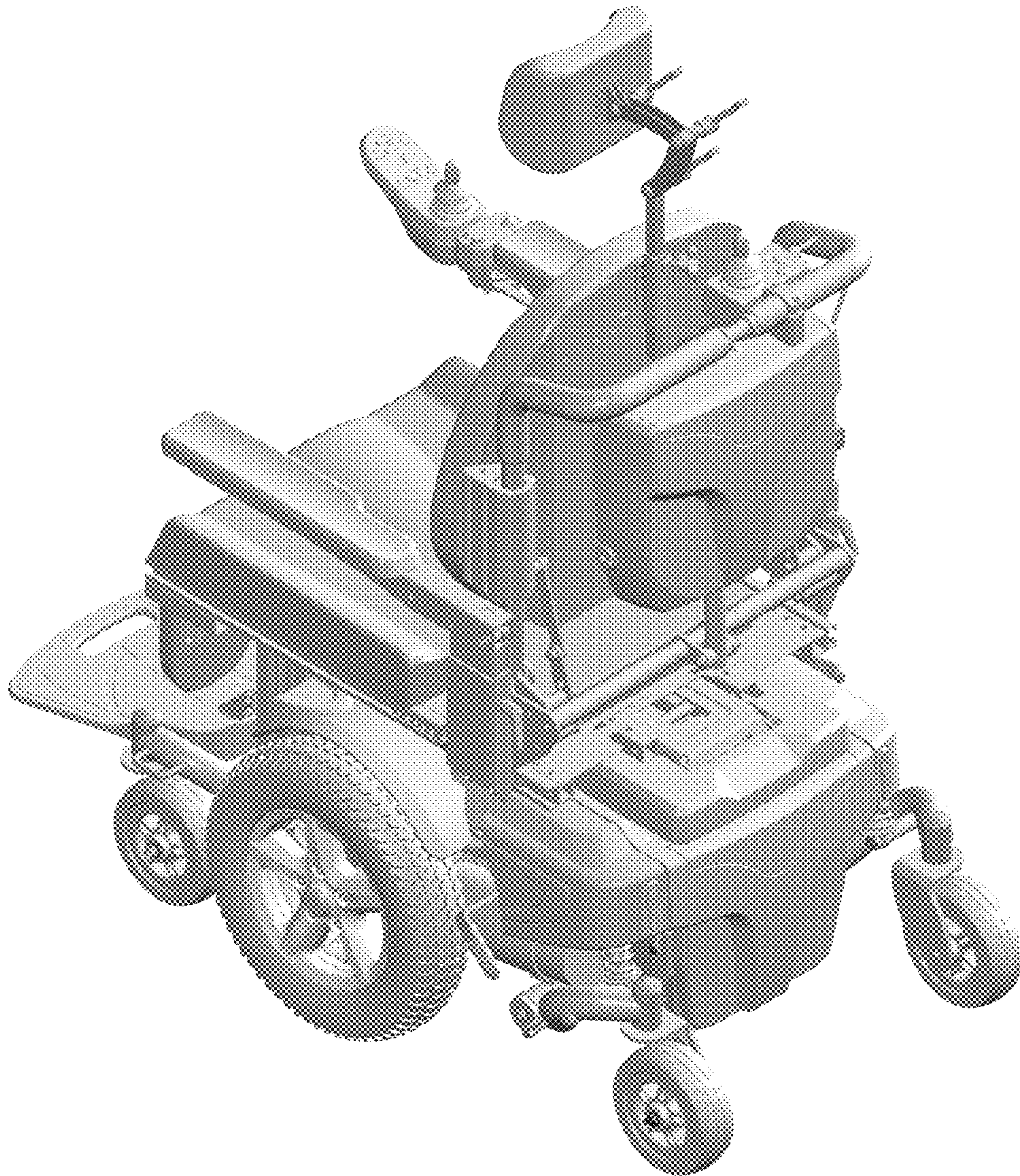


FIG. 8



FIG. 9