



US00D871271S

(12) **United States Design Patent** (10) **Patent No.:** **US D871,271 S**
Richards et al. (45) **Date of Patent:** **** Dec. 31, 2019**

(54) **MOTORCYCLE ENGINE AIR INTAKE**
(71) Applicant: **Harley-Davidson Motor Company Group, LLC, Milwaukee, WI (US)**
(72) Inventors: **Brad Richards, Grafton, WI (US); Frank Savage, Fox Point, WI (US); Dais Nagao, Menomonee Falls, WI (US); Stephen Collins, Fond du Lac, WI (US)**
(73) Assignee: **Harley-Davidson Motor Company Group, LLC, Milwaukee, WI (US)**
(**) Term: **15 Years**
(21) Appl. No.: **29/660,266**
(22) Filed: **Aug. 20, 2018**
(51) **LOC (12) Cl.** **12-11**
(52) **U.S. Cl.**
USPC **D12/114**
(58) **Field of Classification Search**
USPC D12/114, 110, 117, 126; D15/3, 5
CPC B62K 11/04; F02M 35/02; F02M 35/04
See application file for complete search history.

D354,461 S 1/1995 Davidson et al.
D354,462 S 1/1995 Davidson et al.
D354,463 S 1/1995 Davidson et al.
D354,464 S 1/1995 Davidson et al.
D363,259 S 10/1995 Davidson et al.
D364,129 S 11/1995 Davidson et al.
D376,567 S 12/1996 Davidson et al.
D390,507 S 2/1998 Hoagland, IV
D392,601 S 3/1998 Ban et al.
D394,027 S 5/1998 Ban et al.

(Continued)

OTHER PUBLICATIONS

Custom Chrome 1989 Catalog, Jan. 1, 1989, p. 128.

(Continued)

Primary Examiner — Michelle E. Wilson

Assistant Examiner — Clese Moore, Jr.

(74) *Attorney, Agent, or Firm* — Michael Best & Friedrich LLP

(57) **CLAIM**

We claim the ornamental design for a motorcycle engine air intake, as shown and described.

DESCRIPTION

FIG. 1 is a front perspective view of a motorcycle engine air intake;

FIG. 2 is a rear perspective view thereof;

FIG. 3 is a front view thereof;

FIG. 4 is a rear view thereof;

FIG. 5 is a right side view thereof;

FIG. 6 is a left side view thereof;

FIG. 7 is a top view thereof;

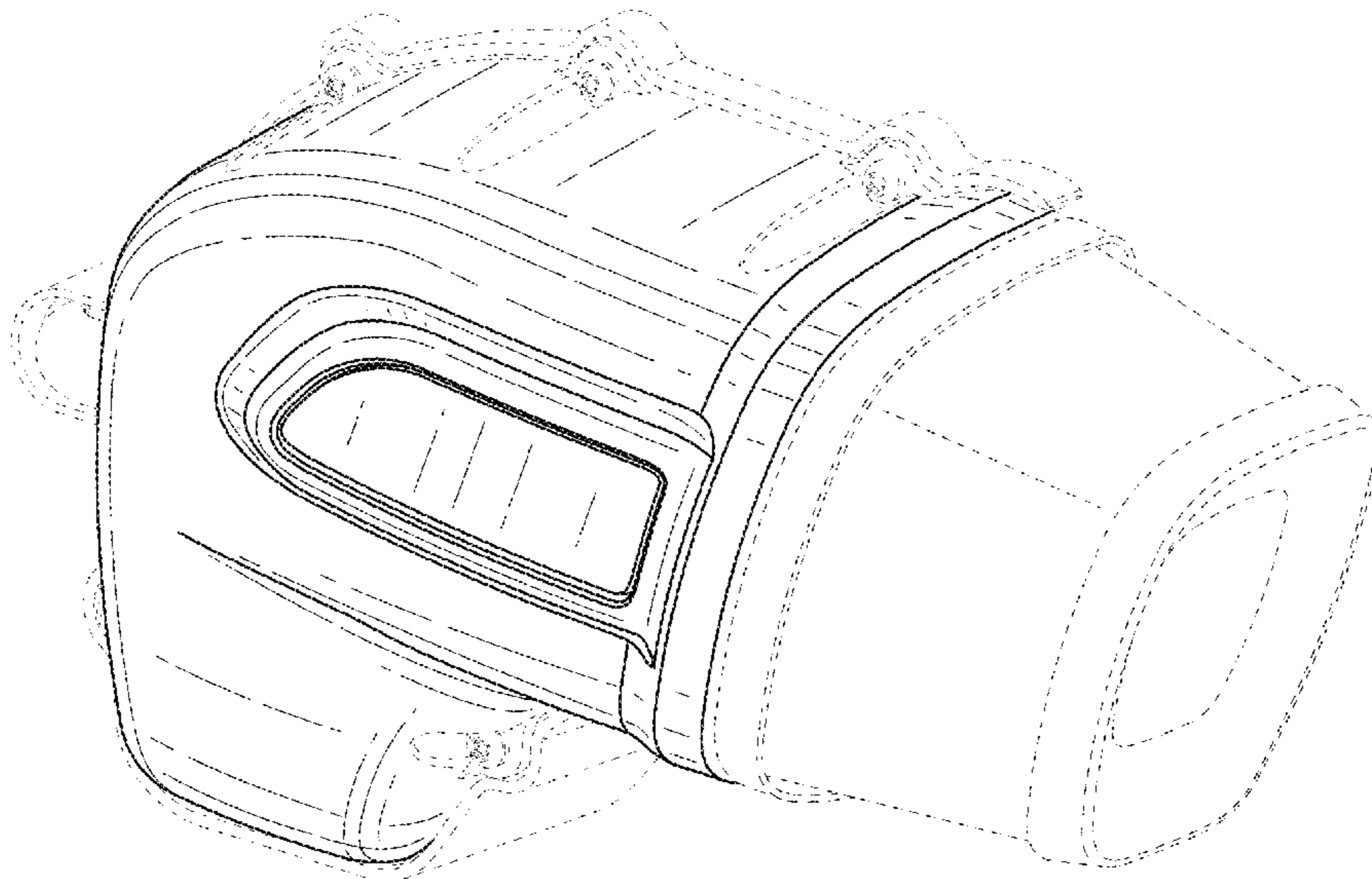
FIG. 8 is a bottom view thereof; and,

FIG. 9 is a perspective view of the motorcycle engine air intake on a motorcycle.

The broken lines are included for the purpose of showing environment that forms no part of the claimed design.

(56) **References Cited**
U.S. PATENT DOCUMENTS
D160,439 S 10/1950 Smith
D203,064 S 11/1965 Schreckengost
3,748,458 A 7/1973 Morrison et al.
4,475,617 A * 10/1984 Minami B62K 11/04
123/559.1
D294,923 S 3/1988 Nagy
D305,149 S * 12/1989 Stahel D23/364
D324,610 S 3/1992 Fox et al.
D340,513 S * 10/1993 Stahel, II D12/114
5,307,771 A * 5/1994 Stahel, II F02M 35/162
123/198 E
D354,260 S 1/1995 Davidson et al.
D354,460 S 1/1995 Davidson et al.

1 Claim, 9 Drawing Sheets



(56)

References Cited

U.S. PATENT DOCUMENTS

D416,832 S	11/1999	Golden et al.	
D417,640 S	* 12/1999	Netz	D12/126
D422,537 S	4/2000	Pink	
D434,352 S	11/2000	Davidson et al.	
D440,189 S	4/2001	Ban et al.	
D445,365 S	7/2001	Davidson et al.	
D446,753 S	8/2001	Golden et al.	
D483,274 S	12/2003	Garcia, Jr.	
D491,113 S	6/2004	Nelson	
D502,432 S	* 3/2005	Yamaguchi	D12/126
D510,235 S	10/2005	Sorensen	
D510,301 S	10/2005	Schmidt	
D518,420 S	4/2006	Schmidt	
D522,931 S	6/2006	Simpson	
D528,478 S	* 9/2006	Busse	D12/126
D541,303 S	4/2007	Drew et al.	
D544,083 S	* 6/2007	Walser	D12/114
D545,725 S	* 7/2007	Zimbaro	D12/114
D549,621 S	* 8/2007	Madden	D12/126
D551,817 S	9/2007	Scheifele et al.	
D554,026 S	* 10/2007	Francis	D12/126
D564,420 S	3/2008	Devlin	
D570,746 S	* 6/2008	Arndt	D12/126
D574,301 S	8/2008	Garcia	
D588,963 S	* 3/2009	Uemoto	D12/114
D593,005 S	* 5/2009	Schroeder	D12/107
D600,599 S	9/2009	Watanabe et al.	
D615,001 S	* 5/2010	Kishi	D12/114
D626,894 S	* 11/2010	Holcomb	D12/126
D642,593 S	* 8/2011	Finnie	D12/114
D676,361 S	* 2/2013	Louden	D12/126
D706,177 S	* 6/2014	Finnie	D12/126
D706,687 S	6/2014	Nash et al.	
D708,987 S	7/2014	Nash et al.	
D776,018 S	* 1/2017	Kiska	D12/126
D800,784 S	10/2017	Collins	
2002/0176610 A1	11/2002	Okazaki	
2008/0223327 A1	9/2008	Smith et al.	
2010/0163331 A1	7/2010	Nakamura	

OTHER PUBLICATIONS

Harley-Davidson, Inc., 1999 Motorcycles, XLH Sportster 1200, Jan. 1, 1999, p. 26.
 Custom Chrome 1992 Catalog, pp. 170-173.
 1994 Custom Chrome Catalog, pp. 298-302 and 719.
 Custom Chrome 1994 Catalog, Air Cleaner Inserts and Covers, p. 298 and other non-numbered pages, published prior to Jan. 1, 1995.
 Custom Chrome, air cleaner covers shown on pp. 9.14 and 9.16, 1999.
 Drag Specialties, pp. 162 and 163; 1995.
 Drag Specialties Catalog, 1987, p. 68, the chrome in—inspection covers (D).
 Drag Specialties Fatbook, air cleaner covers shown on pp. 225-227, 1999.
 Format Catalog, p. 120; 1983 oval shapes (#6826).
 Harley Davidson Motor Company, Air Cleaner Cover, Part No. 29754-01, Publicly available on or before Mar. 12, 2012.
 Harley Davidson Motor Company, Bobber-Style Round Air Cleaner Cover, Part No. 61300120, Publicly available on or before Mar. 12, 2012.
 Harley Davidson Motor Company, Forged Billet Air Cleaner Cover, Part No. 29506-09, Publicly available on or before Mar. 12, 2012.
 Harley Davidson Motor Company, Instructions-103097, Sportster Ribbed Air Cleaner Cover Kit No. 29837-04, dated Jan. 1, 2004, 2 pages.

Harley Davidson Motor Company, Screaming Eagle Ventilator Performance Air Cleaner Kit, Part No. 29915-09, Publicly available on or before Mar. 12, 2012.
 Harley Davidson Motor Company, Smooth Air Cleaner Cover, Part No. 29153-07, Publicly available on or before Mar. 12, 2012.
 Harley -Davidson, 1993/94 Five-Speed/Belt Drive Parts Catalog—All Models, Part No. 99451-94, Air Cleaner & Enrichener, p. 22, published prior to Jan. 1, 1994.
 Harley-Davidson Electra Glide Ultra Classic, posted at Harley Davidson USA, posting date not given, © 2014 H-D, [online], [site visited Dec. 20, 2013]. Available from Internet, <URL: http://www.harley-davidson.com/en_US/Motorcycles/electra-glide-ultr-classic.html.
 Harley-Davidson Genuine Motor Accessories & Genuine Motor Parts, air cleaner cover on p. 141, 1999.
 Harley-Davidson Genuine Motor Accessories & Genuine Motor Parts, air cleaner cover at top of p. 313, 1999.
 Harley-Davidson Motorcycles catalog, XLH Spotster 1200, 1996.
 Harley-Davidson Road King, posted at Harley Davidson USA, posting date not given, © 2014 H-D, [online], [site visited Dec. 20, 2013]. Available from Internet, <URL: http://www.harley-davidson.com/en_US/Motorcycles/road-king.html.
 Harley-Davidson Street Glide Special, posted at Harley Davidson USA, posting date not given, © 2014 H-D, [online], [site visited Dec. 20, 2013]. Available from Internet, <URL: http://www.harley-davidson.com/en_US/Motorcycles/street-glide-special.html.
 Harley-Davidson Tri Glide Ultra, posted at Harley Davidson USA, posting date not given, © 2014 H-D, [online], [site visited Dec. 20, 2013]. Available from Internet, <URL: http://www.harley-davidson.com/en_US/Motorcycles/tri-glide-ultra.html.
 Harley-Davidson Ultra Limited, posted at Harley Davidson USA, posting date not given, © 2014 H-D, [online], [site visited Dec. 20, 2013]. Available from Internet, <URL: http://www.harley-davidson.com/en_US/Motorcycles/electra-glide-ultra-limited.html.
 Harley-Davidson, 1995 Harley-Davidson Genuine Parts & Accessories, Eagle Iron, p. 140, published prior to Jan. 1, 1996.
 Harley-Davidson, 1996 Harley-Davidson Genuine Motor Accessories and Genuine Motor Parts Catalog, p. 136 and p. 154, published prior to Jan. 1, 1996.
 Harley-Davidson, Inc., 1994 Motorcycles, Jan. 1, 1994, p. 12.
 Harley-Davidson, Inc., Accessories 1989, Jan. 1, 1989, pp. 6-7.
 Honda VT 750 DC Shadow Spirit on p. 1 of 1 (2001)from:<URL: <http://mmshadowt.50megs.com/gallery/gpage38/gpage38.htm>, retrieved from the Internet of Jul. 12, 2004.
 Honda VT 750 DC Black Widow on p. 1 of 2 (2001) from:<URL: <http://www.motorbikes.be/en/Honda/2001>, retrieved from the Internet on Jul. 12, 2004.
 Honda VT 750 DC Black Widow and Honda VT 750 DC Shadow Spirit “Air cleaner covers,” shown on the undated on pp. 1-3 from:<URL: <http://roxbox.dk/picpages/hondacustom/vt750dc.htm>, retrieved from the Internet on Jul. 12, 2004.
 J&P Cycles, 1997 Parts and Accessories for Your Harley- Davidson, pp. 5-11 through 5-16, published prior to Jan. 1, 1998.
 V-Twin Manufacturing Uniquely 1994 Catalog p. 369.
 V-Twin Manufacturing Uniquely 1993 Catalog pp. 359-362, published prior to Jan. 1, 1994.
 1987 Genuine Accessories Catalog, pp. 18, 26, and 28. Harley-Davidson Accessories '89 Catalog, p. 47.
 1991 Harley-Davidson, Inc. Accessories Catalog, pp. 64 and 65.
 1991 Parts & Accessories Eagle Iron Catalog, pp. 4, 5, 30, and 31.
 1992 Genuine Accessories Catalog, p. 61.
 1993 Accessories Harley-Davidson, Inc. Catalog, pp. 15, 55, and 101.
 1994 Harley-Davidson Genuine Parts & Accessories, pp. 12, 52, 70 and 103.
 Harley-Davidson Accessories, 1989, Catalog, p. 47.

* cited by examiner

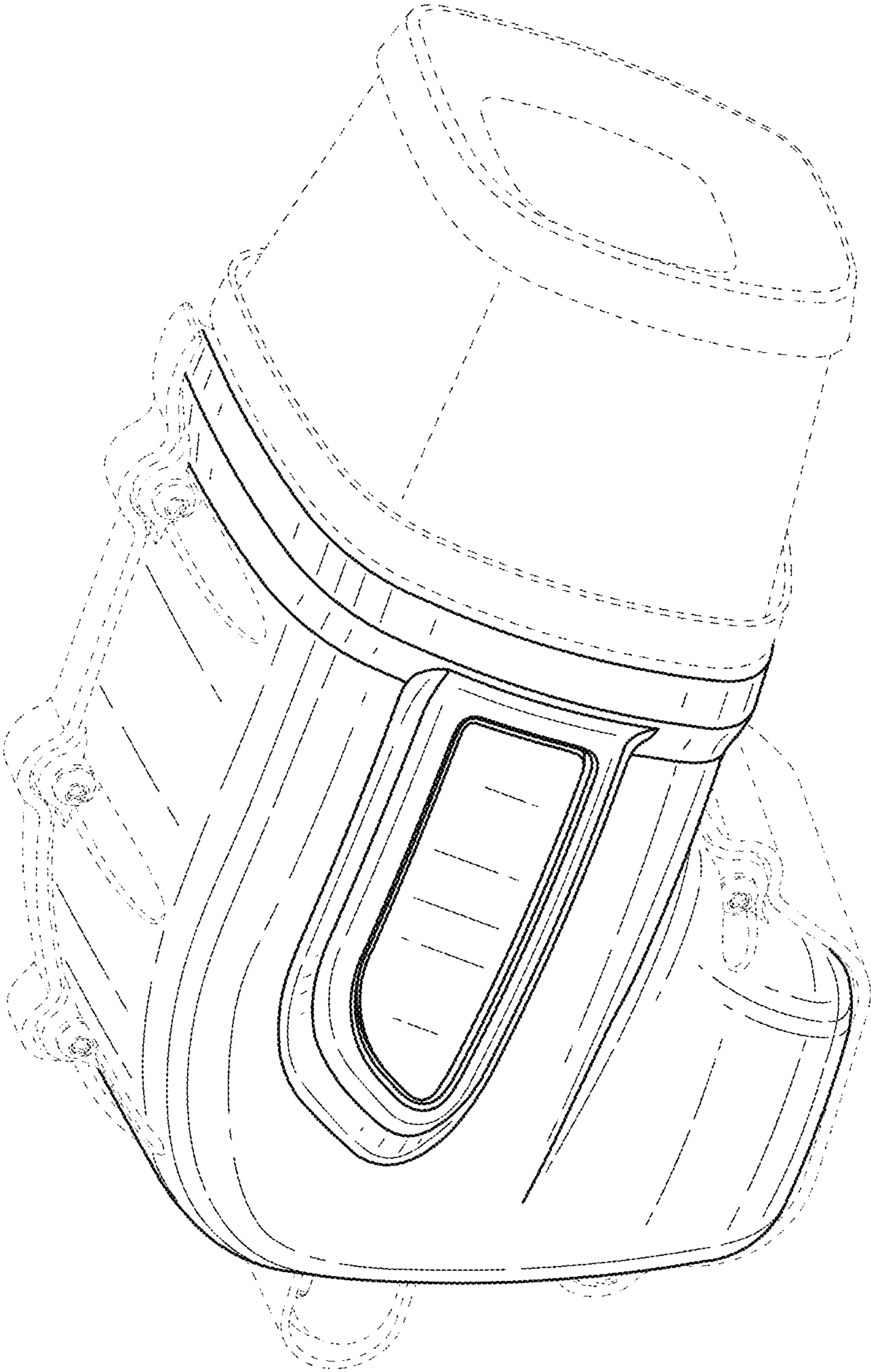


FIG. 1

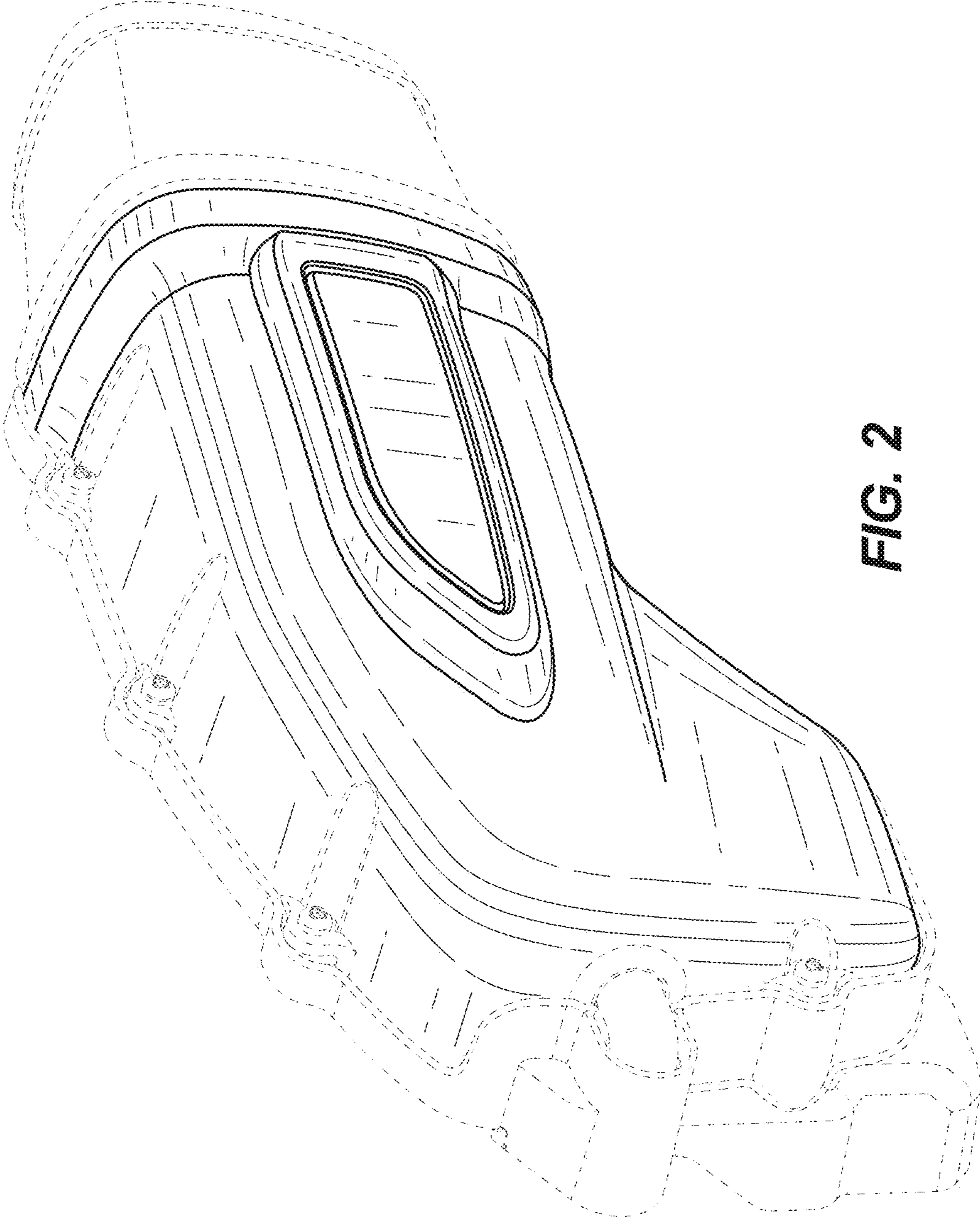


FIG. 2

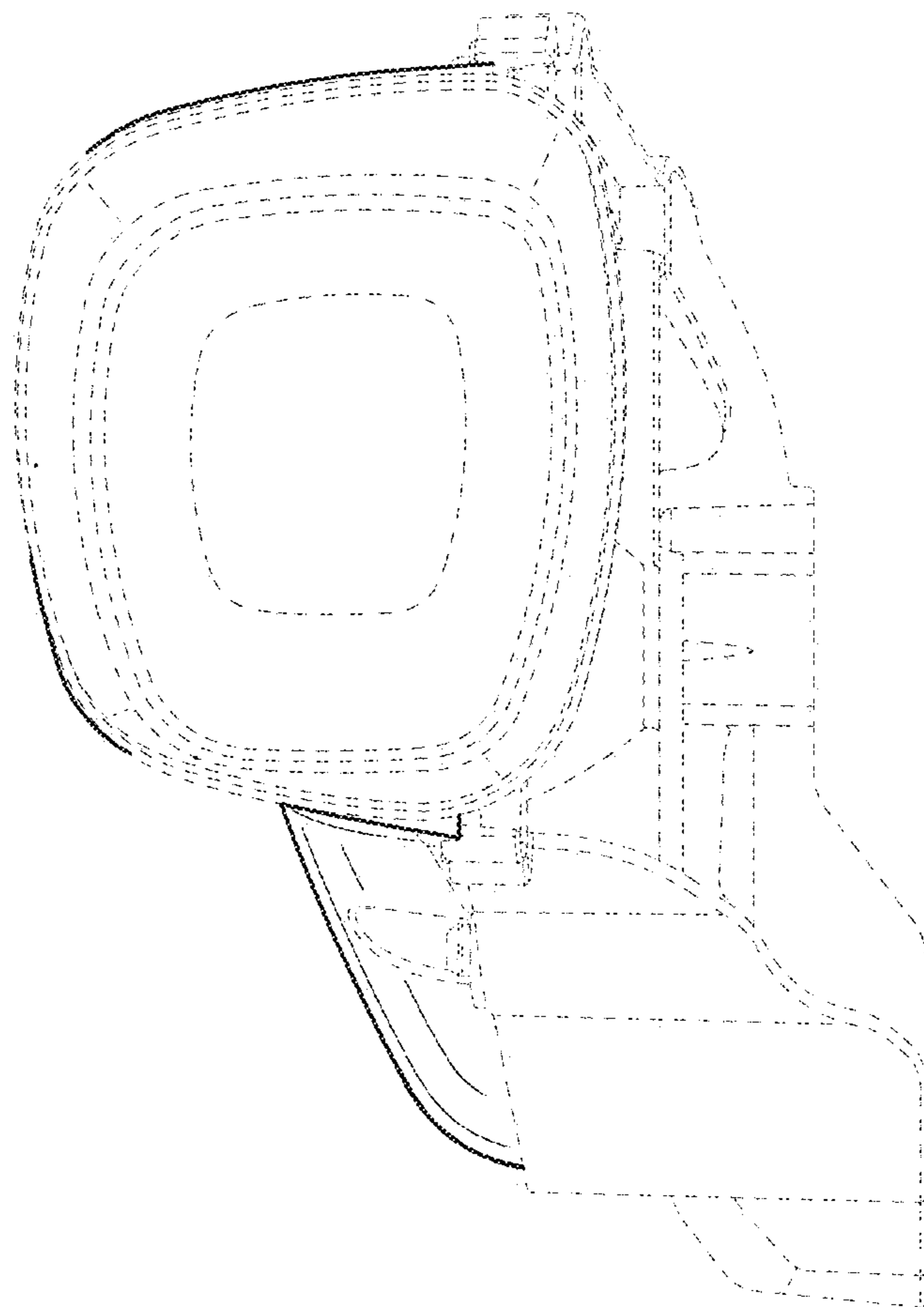


FIG. 3

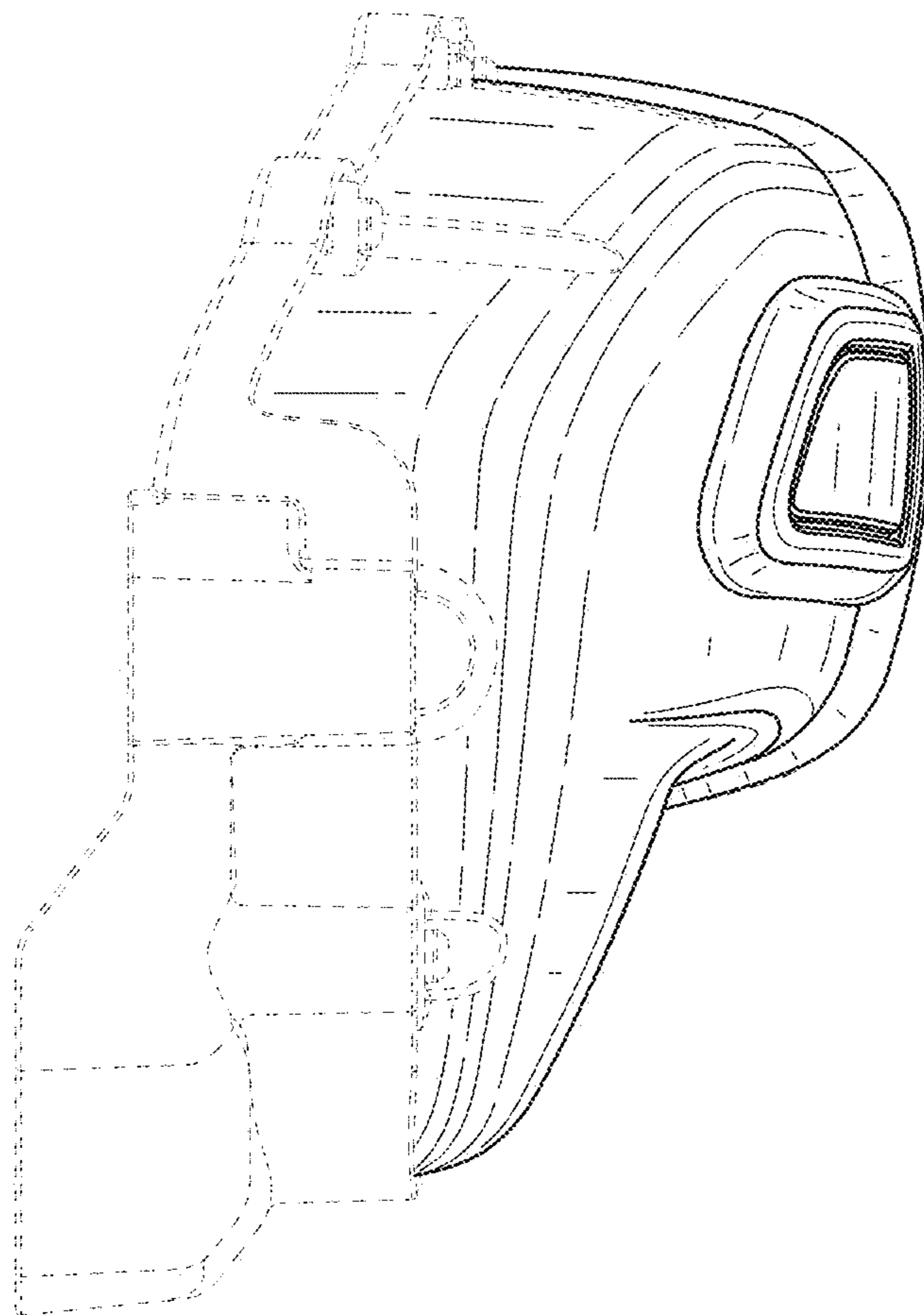


FIG. 4

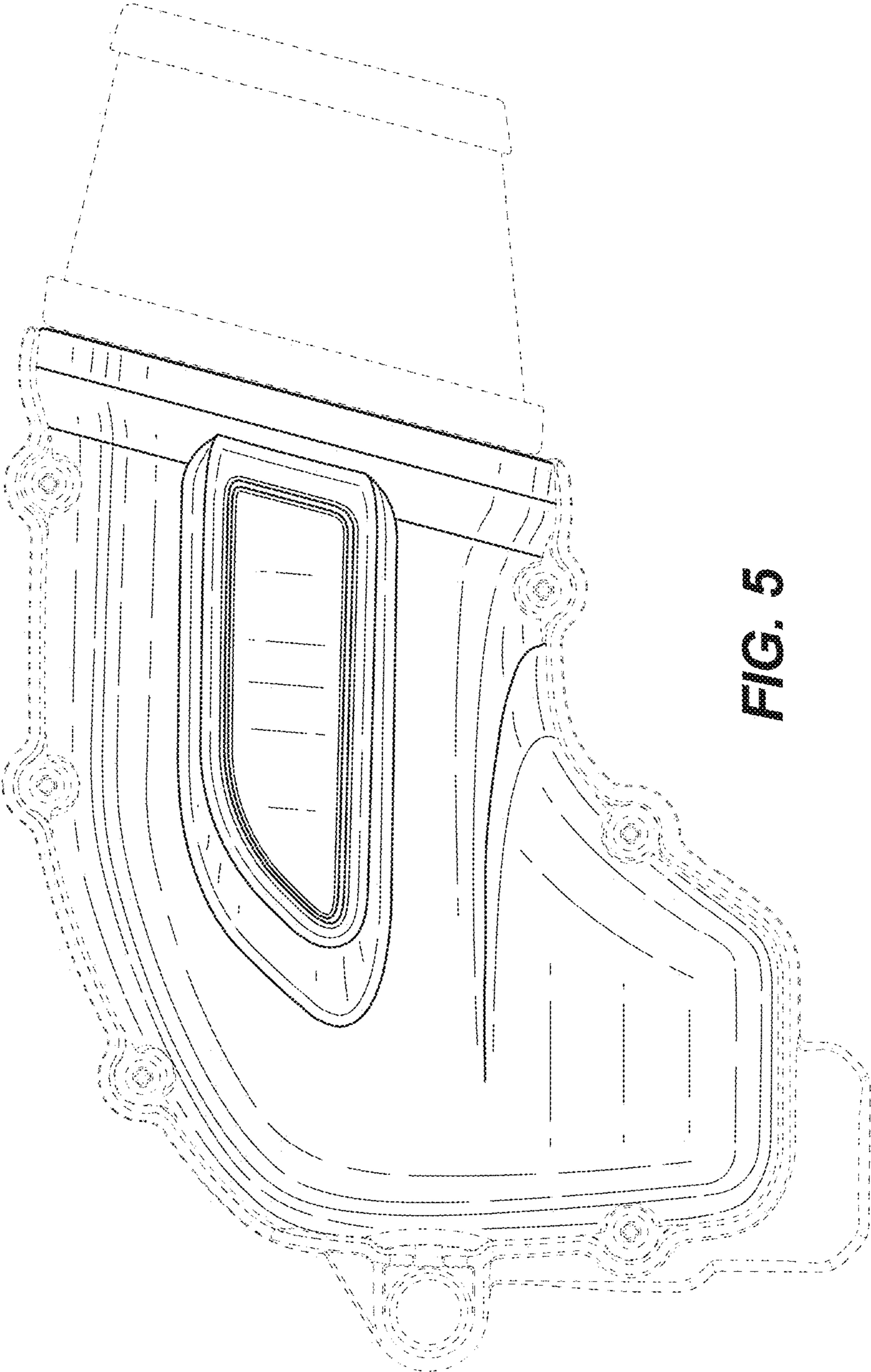


FIG. 5

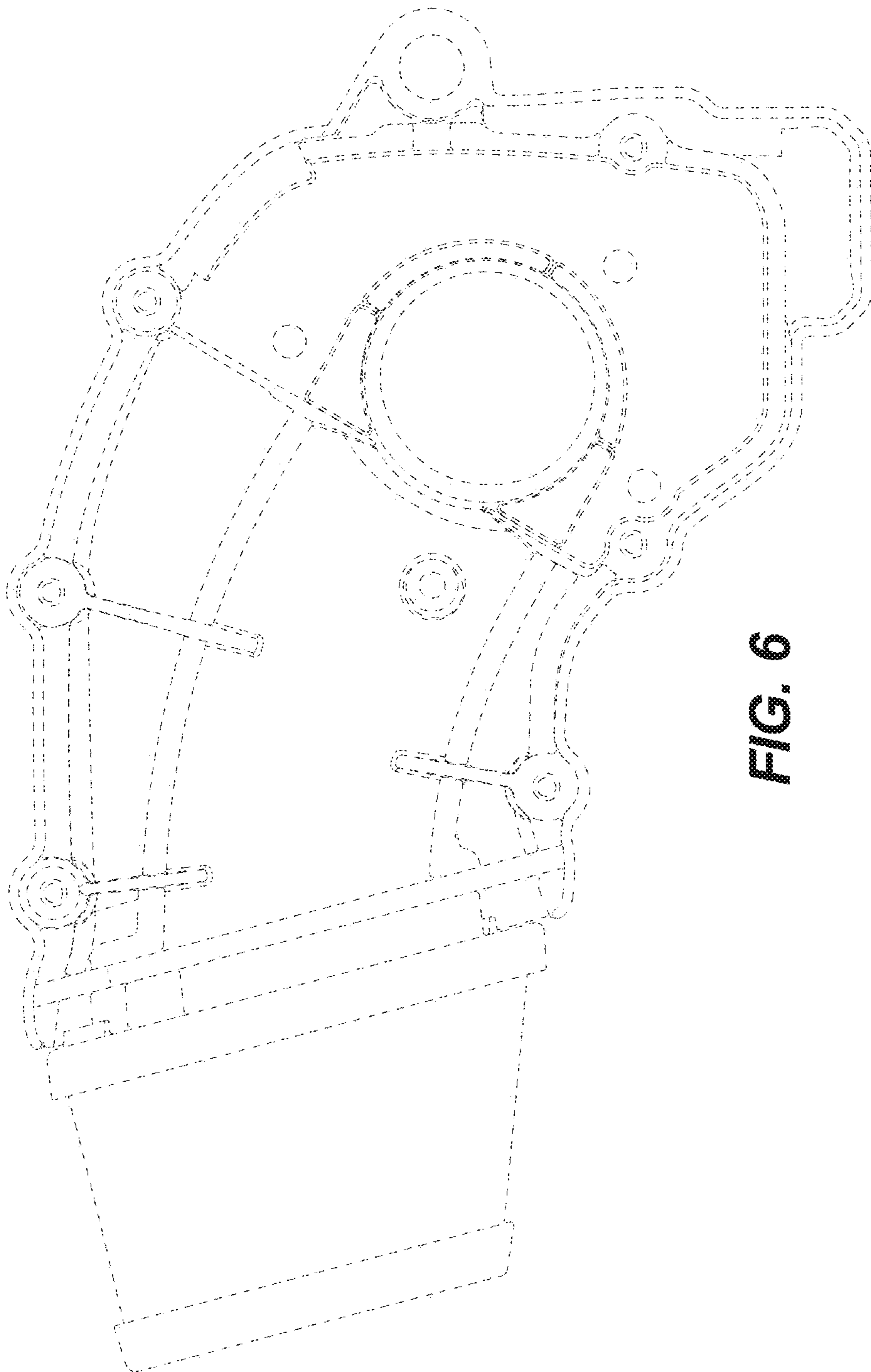


FIG. 6

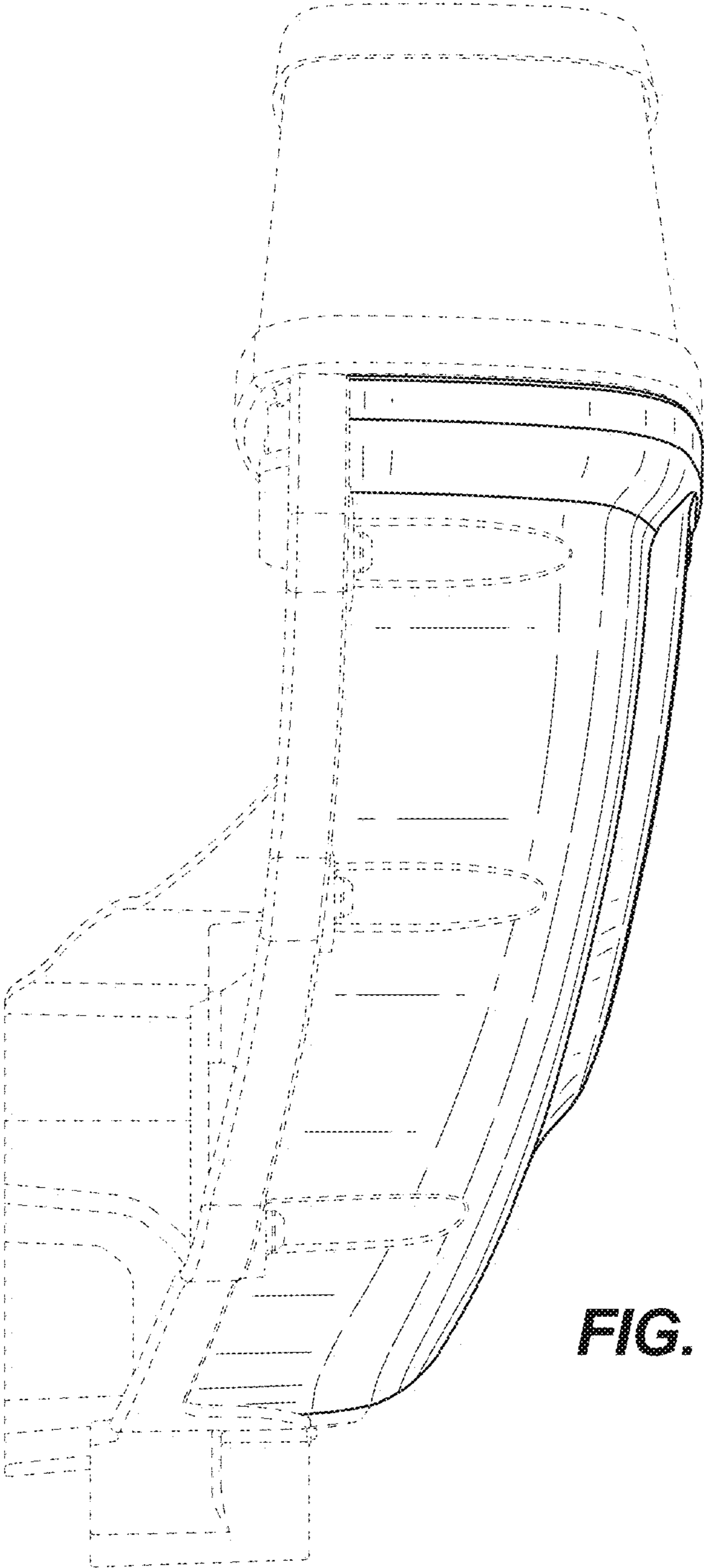


FIG. 7

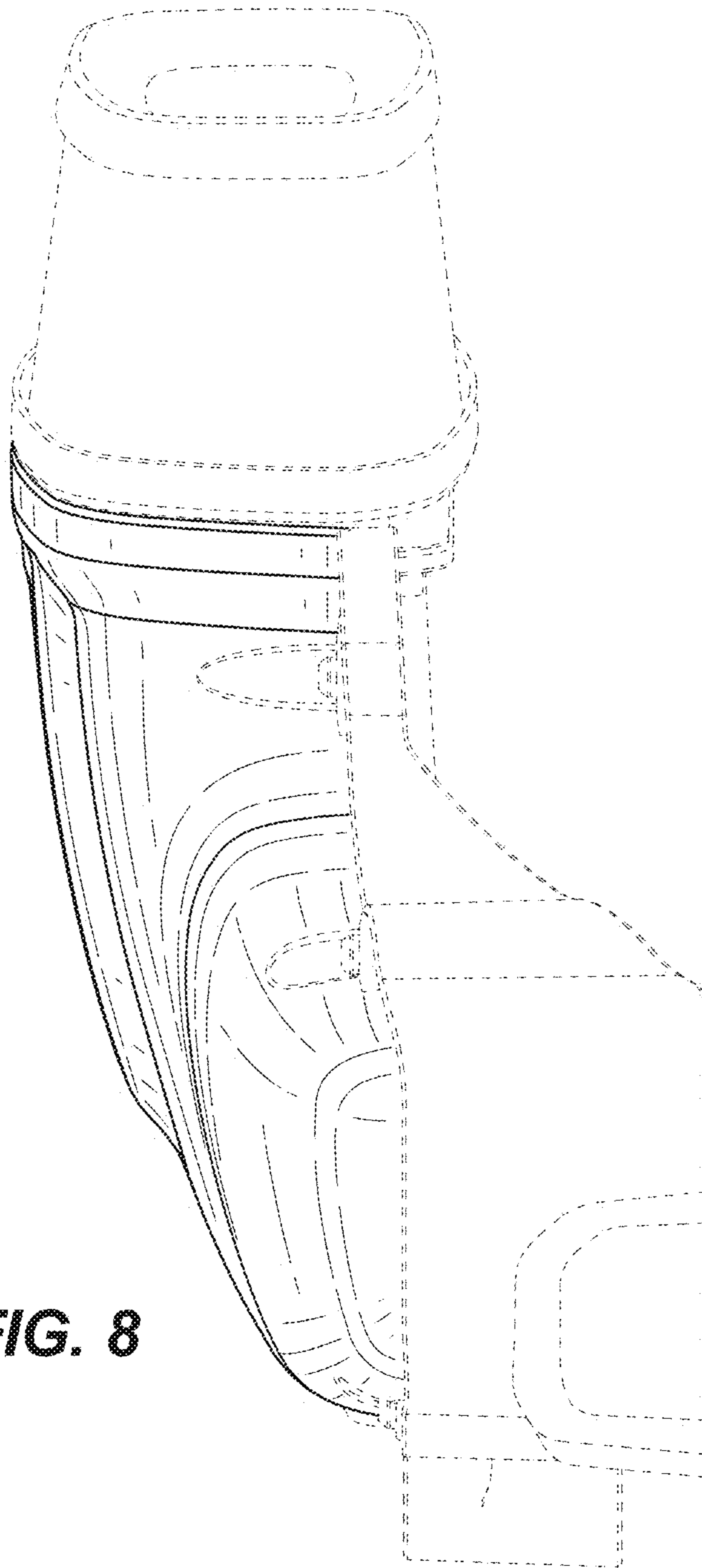


FIG. 8

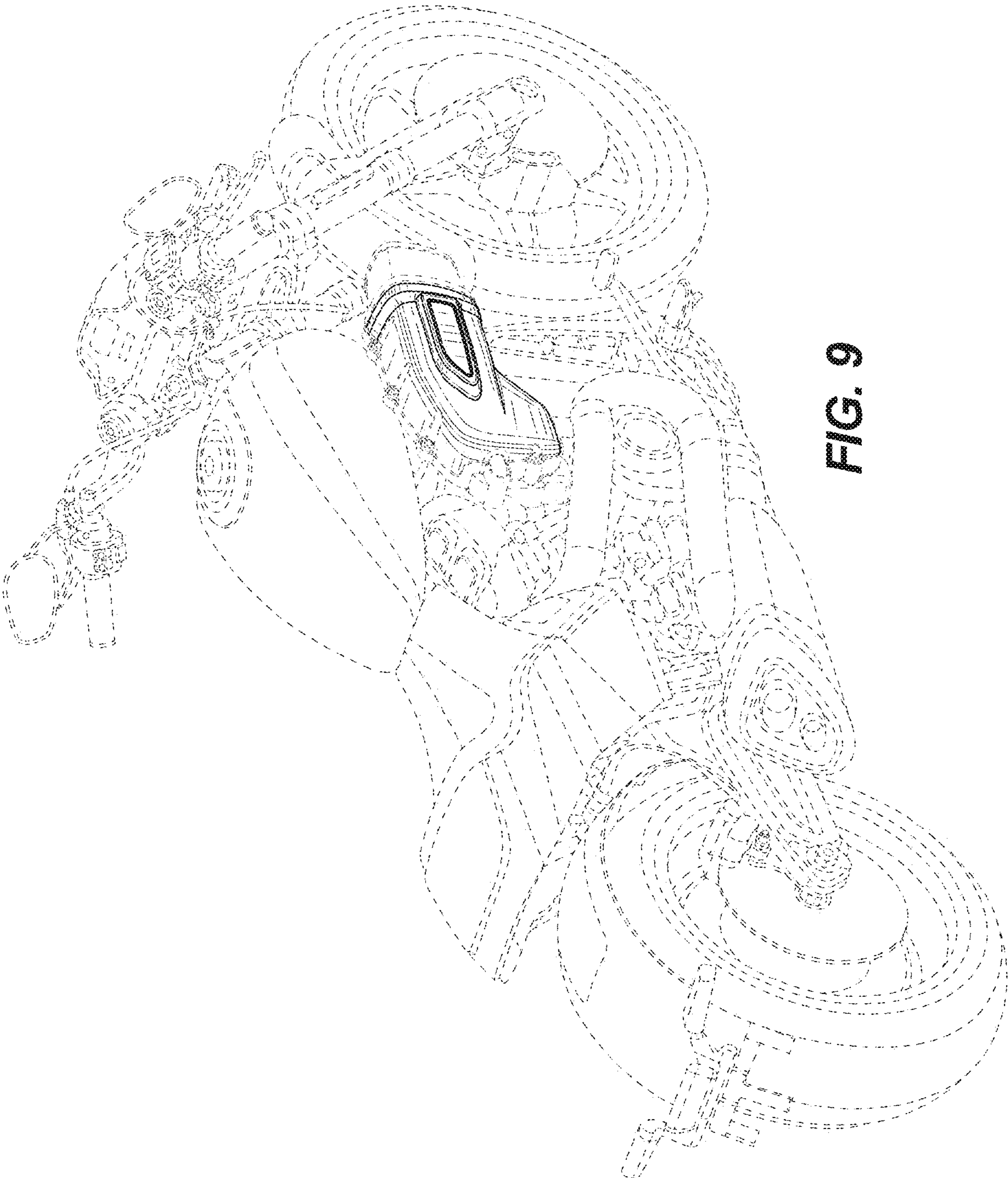


FIG. 9