



US00D871270S

(12) **United States Design Patent** (10) **Patent No.:** **US D871,270 S**
Brewer et al. (45) **Date of Patent:** **** Dec. 31, 2019**

(54) **ELLIPTICAL BICYCLE**
(71) Applicant: **Aruana Energia S/A**, Goiania-GO (BR)
(72) Inventors: **Brian Ryan Brewer**, Santa Catarina (BR); **Robert James McKinnon**, Santa Catarina (BR)
(73) Assignee: **Aruana Energia S/A** (BR)
(**) Term: **15 Years**
(21) Appl. No.: **29/634,886**
(22) Filed: **Jan. 25, 2018**
(51) **LOC (12) Cl.** **12-11**
(52) **U.S. Cl.**
USPC **D12/111**
(58) **Field of Classification Search**
USPC D12/107, 111, 117; D21/663, 664, 665
CPC B62K 3/002; B62K 5/02; B62K 15/006;
B62M 1/12; B62M 1/26
See application file for complete search history.

D638,499 S * 5/2011 Scolari D21/423
D638,500 S * 5/2011 Scolari D21/423
D645,792 S * 9/2011 Bai D12/111
8,220,814 B1 * 7/2012 Riviglia B62M 1/26
280/221
D688,164 S * 8/2013 Calderon D12/111
8,579,769 B2 * 11/2013 Sans B62K 3/002
280/221
D696,984 S * 1/2014 Haupt D12/111
8,944,452 B1 * 2/2015 Scolari B62K 3/002
280/221
D737,727 S * 9/2015 Brewer D12/111
D737,728 S * 9/2015 Brewer D12/111
D738,262 S * 9/2015 Brewer D12/111
D738,790 S * 9/2015 Brewer D12/111
D738,791 S * 9/2015 Brewer D12/111
D738,792 S * 9/2015 Brewer D12/111
D776,015 S * 1/2017 Teal B62M 1/26
D12/111
2008/0116655 A1 * 5/2008 Pate B62M 1/26
280/221

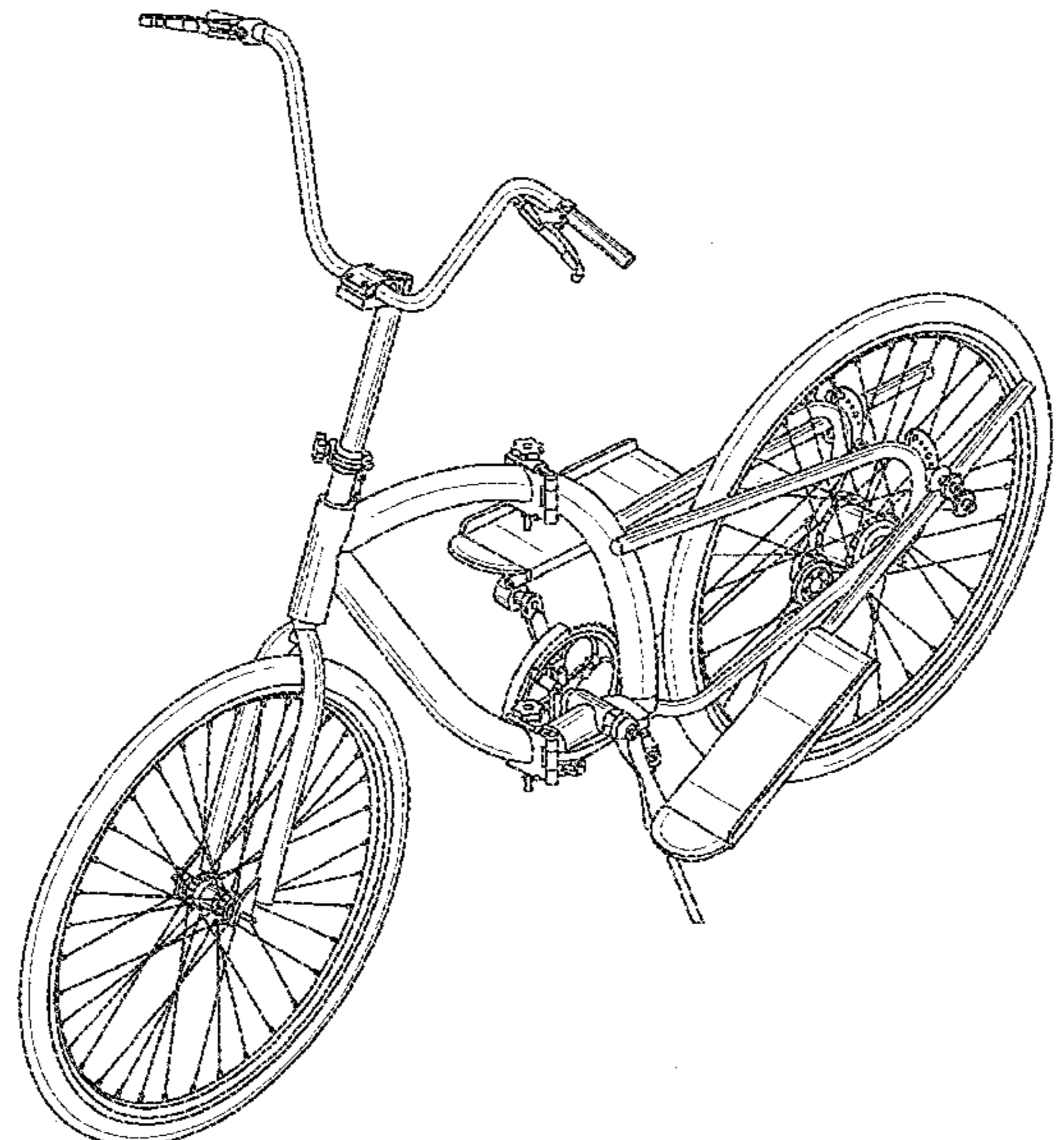
* cited by examiner
Primary Examiner — Darlington Ly
(74) *Attorney, Agent, or Firm* — Aldo Noto; Davidson Berquist Jackson & Gowdey, LLP

(56) **References Cited**
U.S. PATENT DOCUMENTS
5,591,107 A * 1/1997 Rodgers, Jr. A63B 71/0622
482/51
6,439,590 B1 * 8/2002 Liang B62K 3/002
280/221
6,659,486 B2 * 12/2003 Eschenbach B62K 3/002
280/221
D526,250 S * 8/2006 Trumble D12/111
7,140,626 B1 * 11/2006 Keay A63B 21/0004
280/230
D633,416 S * 3/2011 Teal D12/111
D633,827 S * 3/2011 Teal D12/111
D638,483 S * 5/2011 Scolari D21/423
D638,484 S * 5/2011 Scolari D21/423
D638,485 S * 5/2011 Scolari D21/423

(57) **CLAIM**
The ornamental design for an elliptical bicycle, as shown and described.

DESCRIPTION
FIG. 1 is a top, front, and left side perspective view of an elliptical bicycle showing our new design;
FIG. 2 is a front elevation view thereof;
FIG. 3 is a rear elevation view thereof;
FIG. 4 is a left side elevation view thereof;
FIG. 5 is a right side elevation view thereof;
FIG. 6 is a top plan view thereof; and,
FIG. 7 is a bottom plan view thereof.

1 Claim, 6 Drawing Sheets



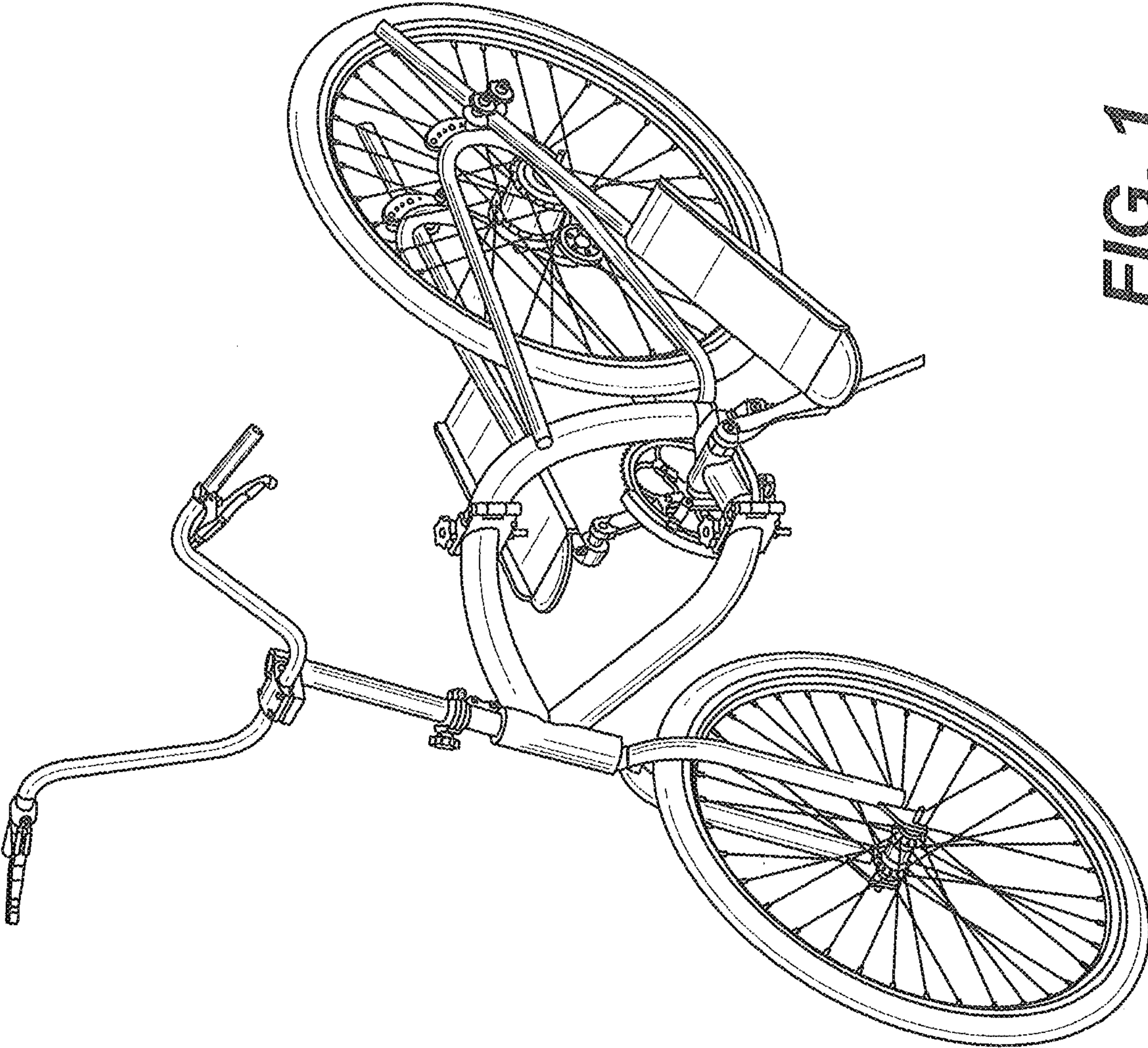


FIG. 1

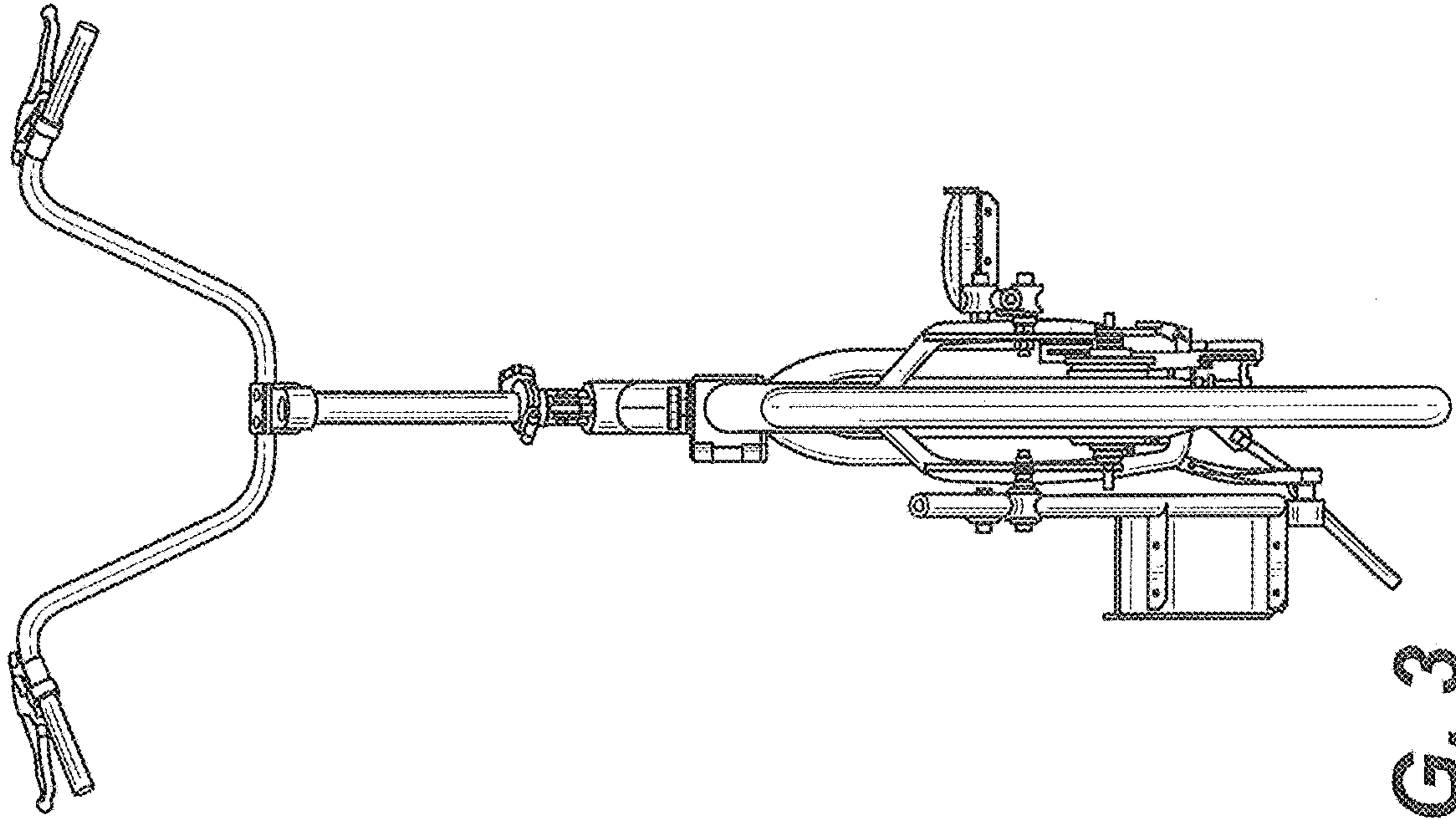


FIG. 3

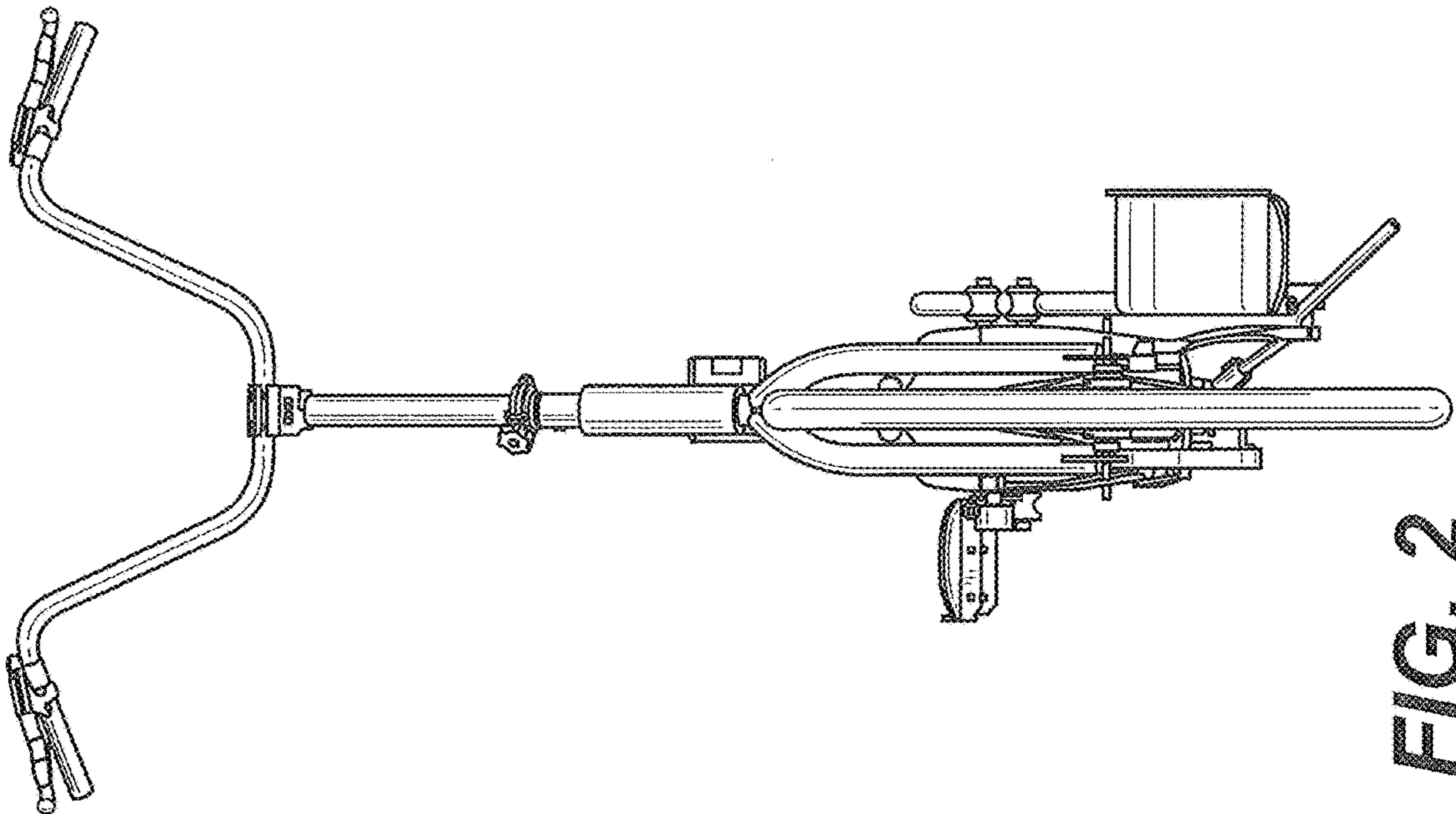


FIG. 2

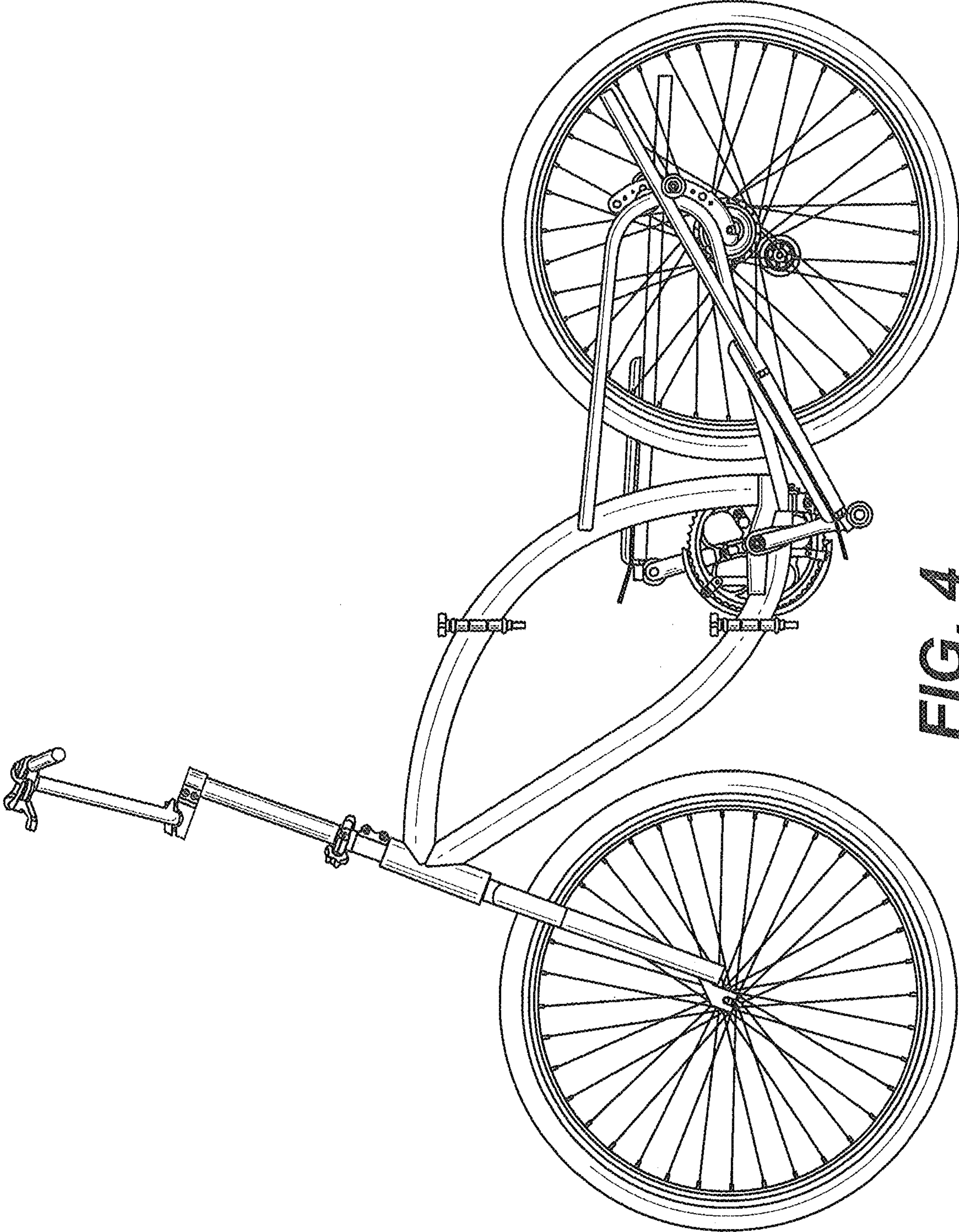


FIG. 4

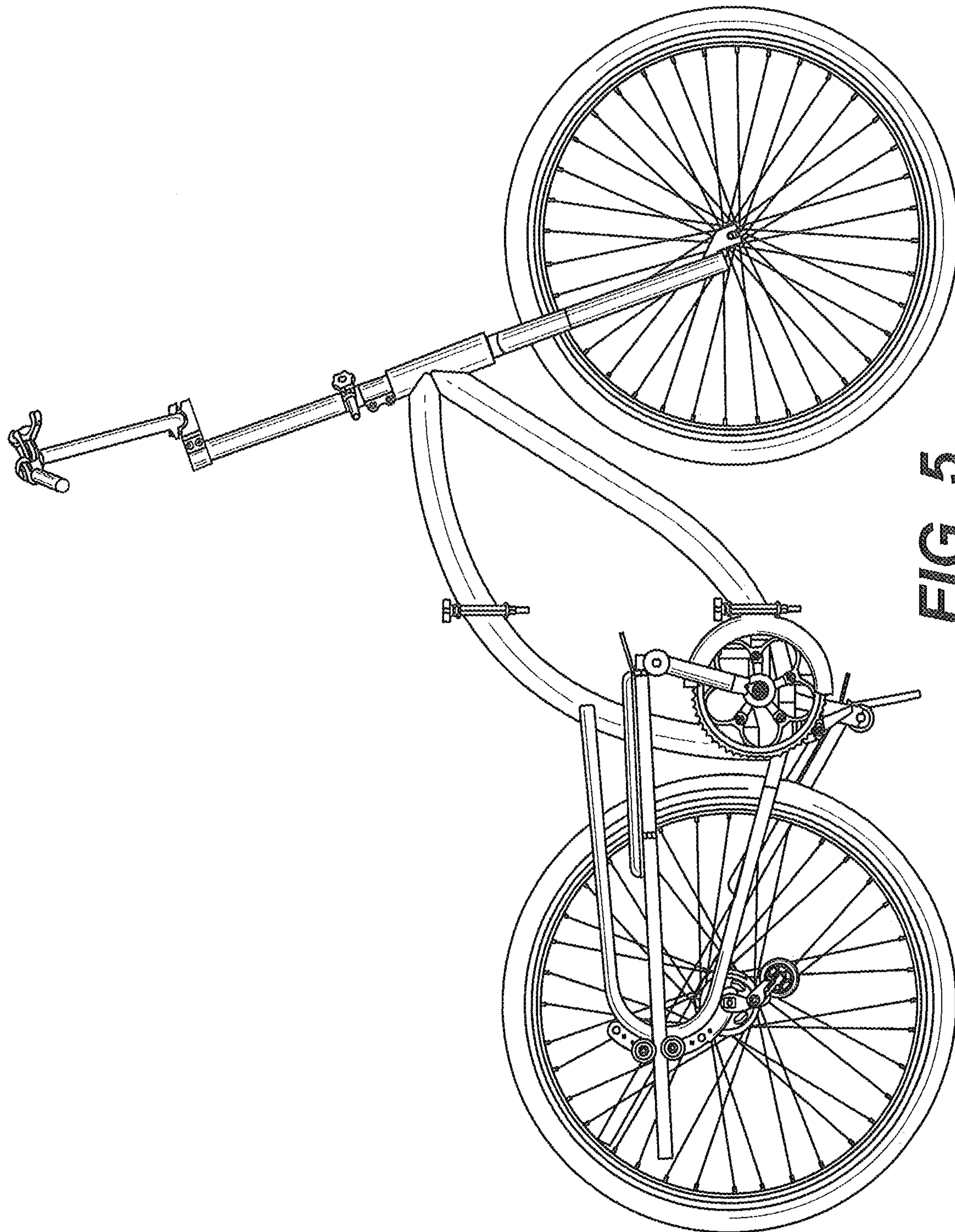


FIG. 5

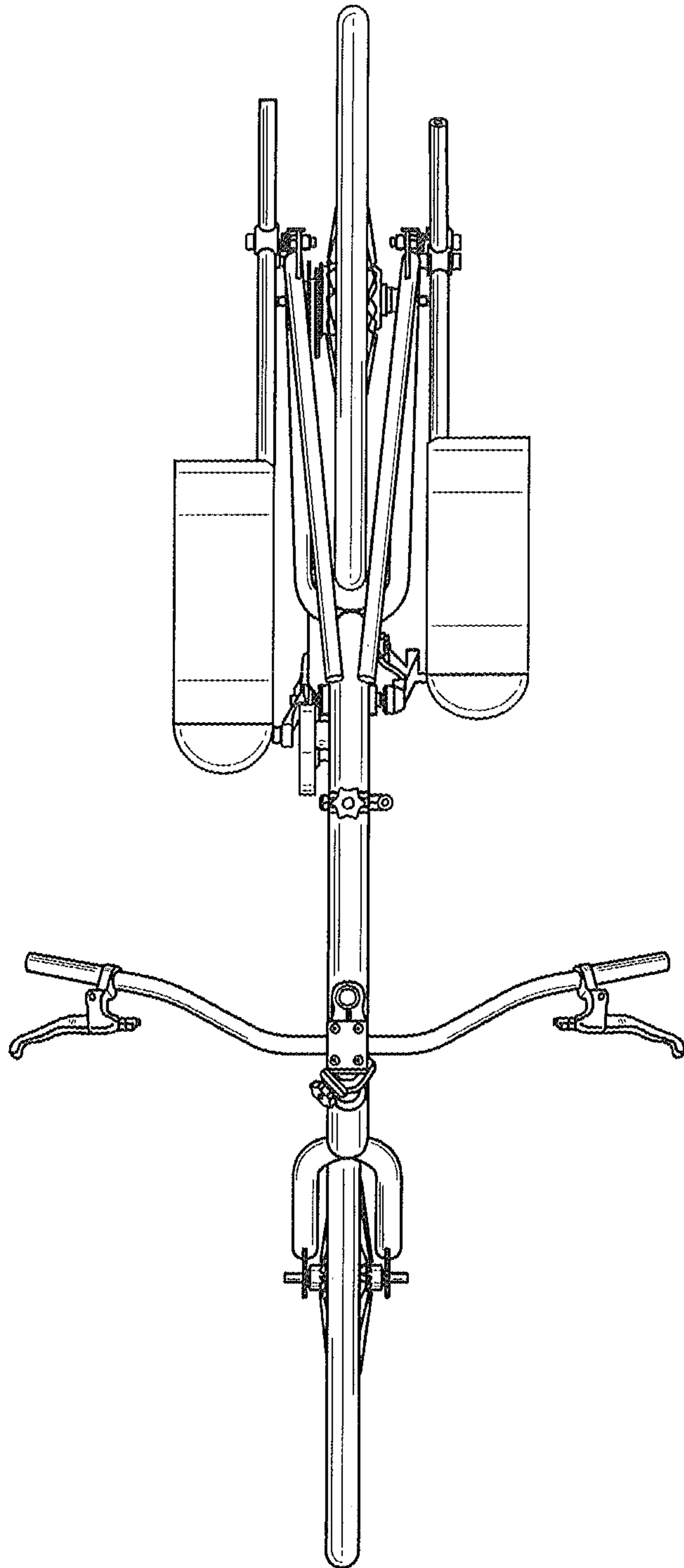


FIG. 6

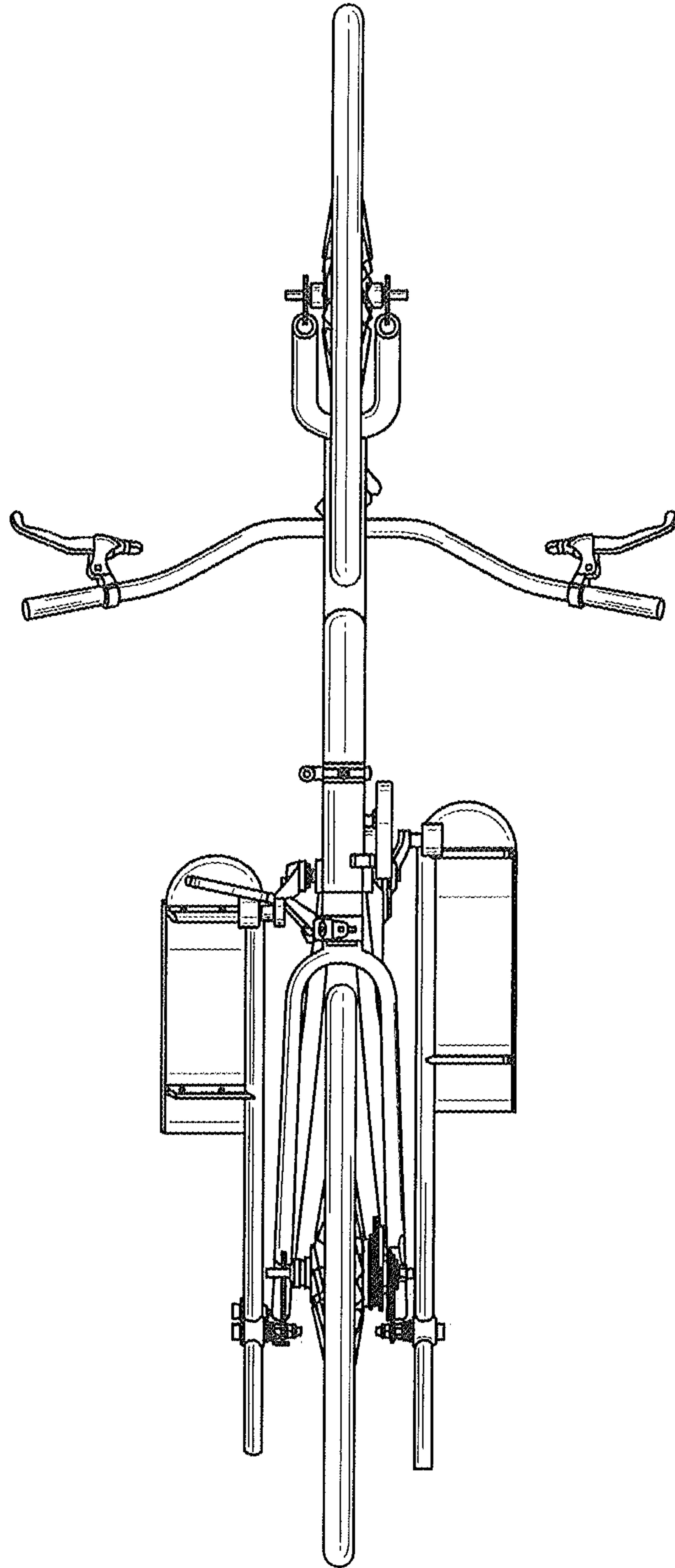


FIG. 7