



US00D871267S

(12) **United States Design Patent** (10) **Patent No.:** **US D871,267 S**
Armigliato et al. (45) **Date of Patent:** **** *Dec. 31, 2019**

(54) **VEHICLE**

(71) Applicant: **IVECO S.p.A.**, Turin (IT)

(72) Inventors: **Marco Armigliato**, Turin (IT); **Raffaele Vergano**, Cambiano (IT); **Giampiero Vietti Niclot**, Caselle Torinese (IT); **David Melvin Wilkie**, Turin (IT); **Alessandro Bernardini**, Genoa (IT)

(73) Assignee: **IVECO S.P.A.**, Turin (IT)

(*) Notice: This patent is subject to a terminal disclaimer.

(**) Term: **15 Years**

(21) Appl. No.: **29/647,385**

(22) Filed: **May 11, 2018**

Related U.S. Application Data

(62) Division of application No. 29/597,333, filed on Mar. 16, 2017, now Pat. No. Des. 832,745.

(30) **Foreign Application Priority Data**

Sep. 19, 2016 (EM) 003384890-0001
Sep. 19, 2016 (EM) 003384890-0002

(51) **LOC (12) Cl.** **12-08**

(52) **U.S. Cl.**
USPC **D12/93**

(58) **Field of Classification Search**
USPC D12/93, 96, 97, 99, 102; D21/424, 434, D21/581
CPC B62D 35/00; B62D 35/001
See application file for complete search history.

(56) **References Cited**

U.S. PATENT DOCUMENTS

D291,674 S * 9/1987 Smith D12/96
D626,890 S * 11/2010 Cantemir D12/12

D645,380 S * 9/2011 Beigel D12/93
D650,722 S * 12/2011 Marchi D12/93
D651,136 S * 12/2011 Stimel, Jr. D12/96
D719,879 S * 12/2014 Ito D12/96

(Continued)

FOREIGN PATENT DOCUMENTS

EM 003384890-0001 * 9/2016
EP 1870320 12/2007

(Continued)

OTHER PUBLICATIONS

Auto e Design Issue Andrea Schileo <https://andreaschileo.com/2017/01/16/auto-e-design-issue/> Jan. 16, 2017 (Year: 2017).*
Iveco Presenta IL Concept Z Truck All' Iaa Di Hannover <http://autodesignmagazine.com/en/2016/09/iveco-presenta-concept-z-truck-alliaa-hannover/> Sep. 23, 2016 (Year: 2016).*
Iveco presents Z Truck a long-haul zero-impact concept vehicle <http://www.motorindiaonline.in/commercial-vehicles/iveco-presents-z-truck-a-long-haul-zero-impact-concept-vehicle/> Sep. 26, 2016 (Year: 2016).*

(Continued)

Primary Examiner — Leanne Was-Englehart
(74) *Attorney, Agent, or Firm* — Stetina Brunda Garred and Brucker

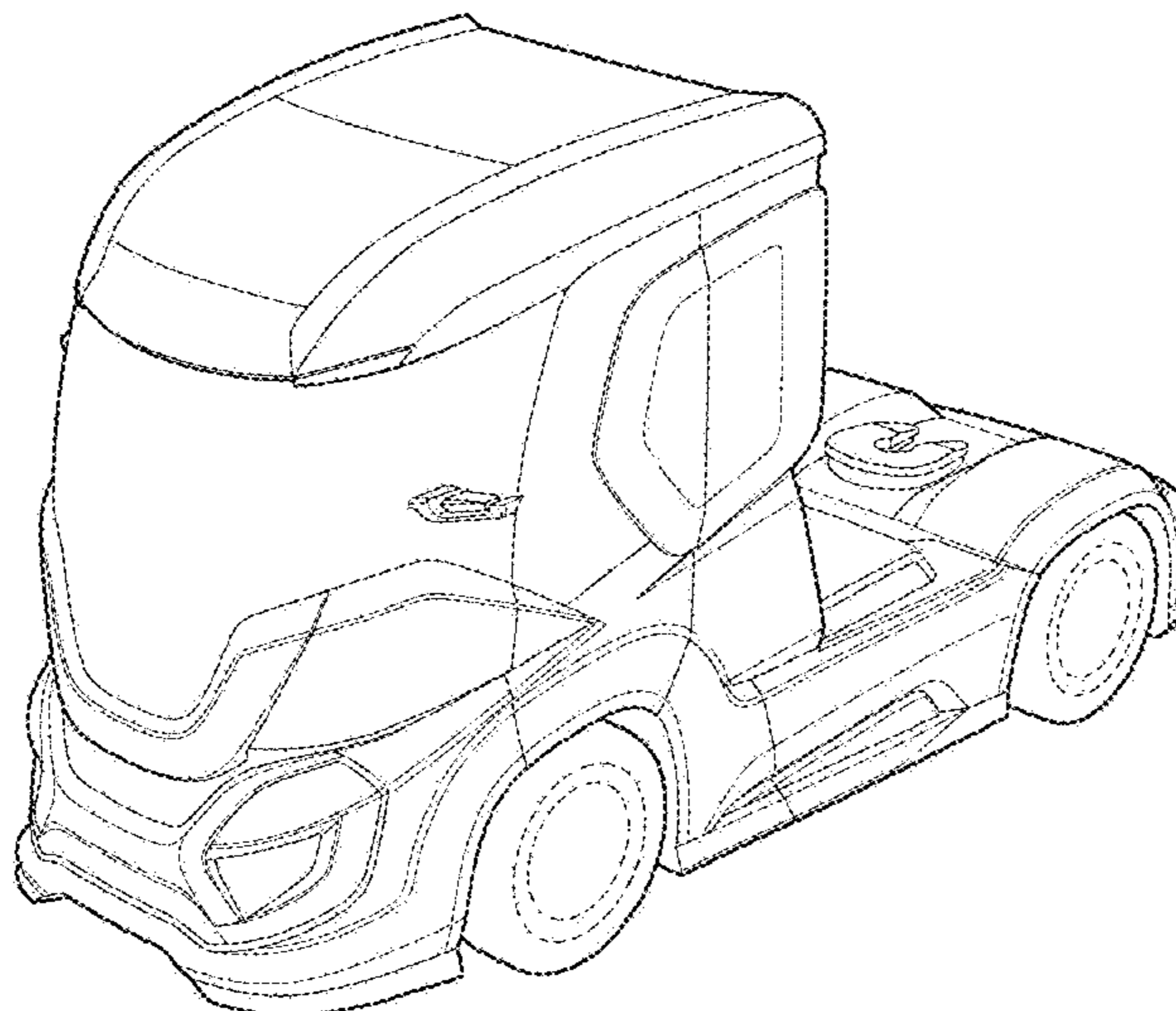
(57) **CLAIM**

The ornamental design for a vehicle, as shown and described.

DESCRIPTION

FIG. 1 is a front perspective view of the vehicle of the present invention showing our new design;
FIG. 2 is a rear perspective view thereof;
FIG. 3 is a front view thereof;
FIG. 4 is a rear view thereof;
FIG. 5 is a left side view thereof;
FIG. 6 is a right side view thereof;
FIG. 7 is a top plan view thereof; and,
FIG. 8 is a bottom plan view thereof.
The broken lines in the figures depict portions of the vehicle that form no part of the claimed design.

1 Claim, 8 Drawing Sheets



(56)

References Cited

OTHER PUBLICATIONS

U.S. PATENT DOCUMENTS

D757,604 S * 5/2016 Joren D12/36
 D811,944 S * 3/2018 Milton D12/99
 D814,357 S * 4/2018 Milton D12/93
 D825,391 S * 8/2018 Von Holzhausen D12/96
 D825,392 S * 8/2018 Von Holzhausen D12/96
 D826,098 S * 8/2018 Armigliato D12/93
 D832,745 S * 11/2018 Armigliato D12/93
 2012/0056444 A1 * 3/2012 Stimel B62D 25/186
 2013/0127205 A1 * 5/2013 Jaynes B62D 25/06
 2014/0232133 A1 * 8/2014 He B62D 35/001
 2018/0001942 A1 * 1/2018 Milton B60G 3/06

FOREIGN PATENT DOCUMENTS

EP 1870321 12/2007
 EP 1870322 12/2007

Iveco Z Concept Truck a Different Approach to Green Heavy-Duty Trucking <https://www.hybridcars.com/iveco-z-concept-truck-a-different-approach-to-green-heavy-duty-trucking/> Oct. 1, 2016 (Year: 2016).*

Iveco Z truck shows the future [iepieleaks https://iepieleaks.nl/iveco-z-truck-shows-the-future/](https://iepieleaks.nl/iveco-z-truck-shows-the-future/) Sep. 26, 2016 (Year: 2016).*

Iveco Z Truck Un Manifesto Per IL Futuro Auto&Design <http://autodesigndesignmagazine.com/en/2017/01/iveco-z-truck-un-manifesto-futuro/> Jan. 15, 2017 (Year: 2017).*

Scania Truck Cab Concept Local Motors <https://launchforth.io/palethorpe/scania-truck-cab-concept/> Jun. 6, 2009 (Year: 2009).* <http://autodesigndesignmagazine.com/en/2017/01/iveco-z-truck-un-manifesto-futuro/> Uploaded Jan. 15, 2017 (Year: 2017).

* cited by examiner

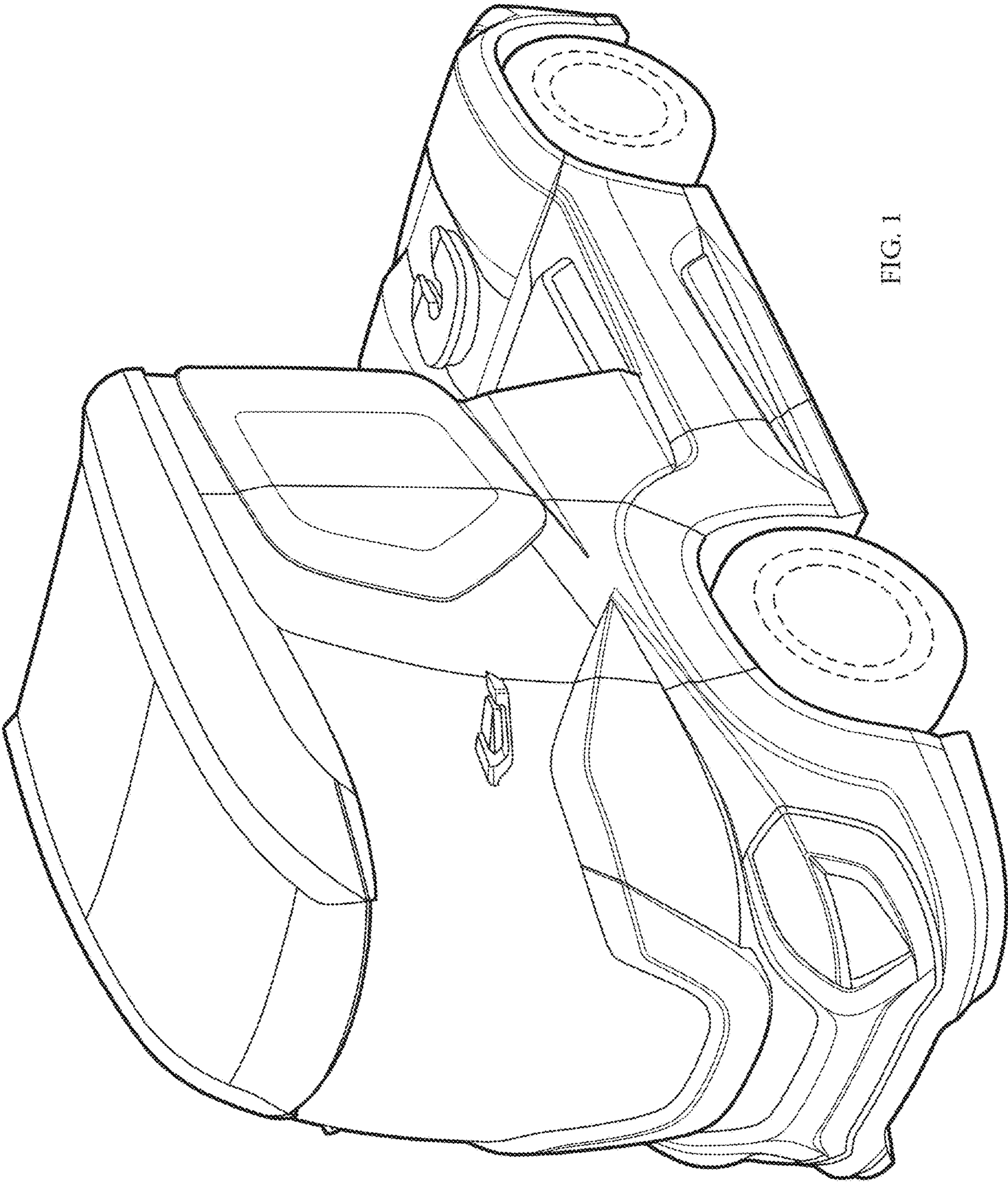


FIG. 1

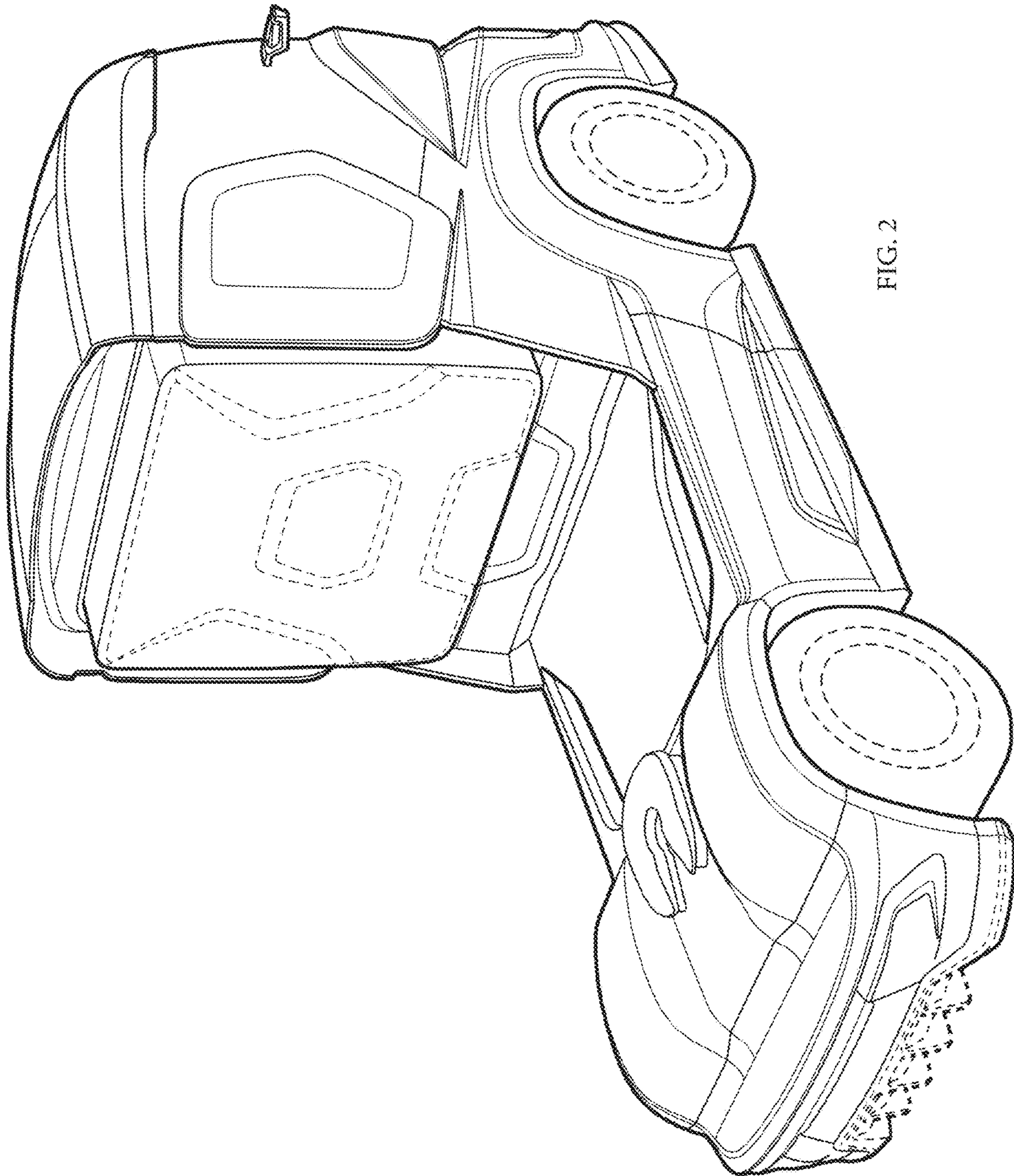


FIG. 2

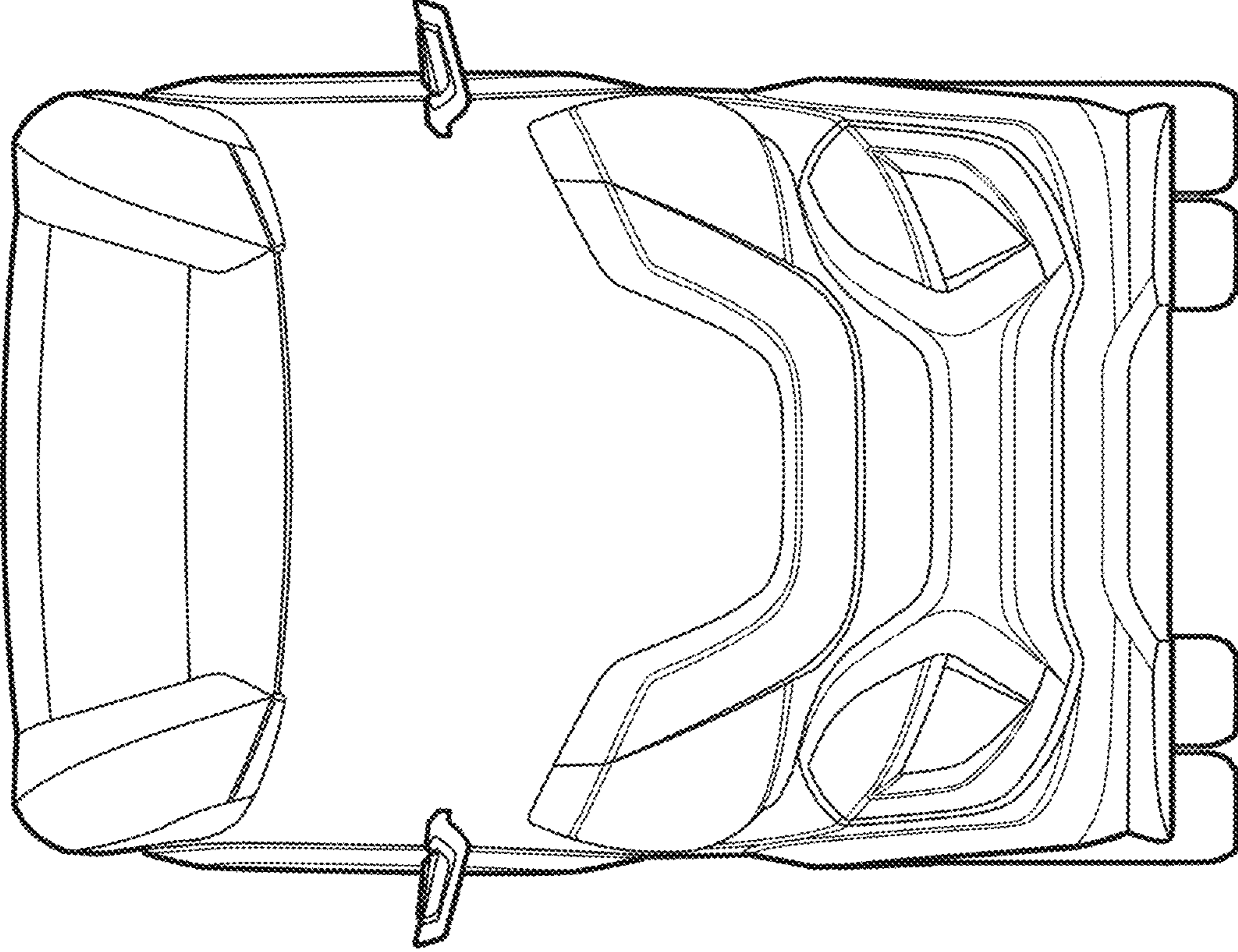


FIG. 3

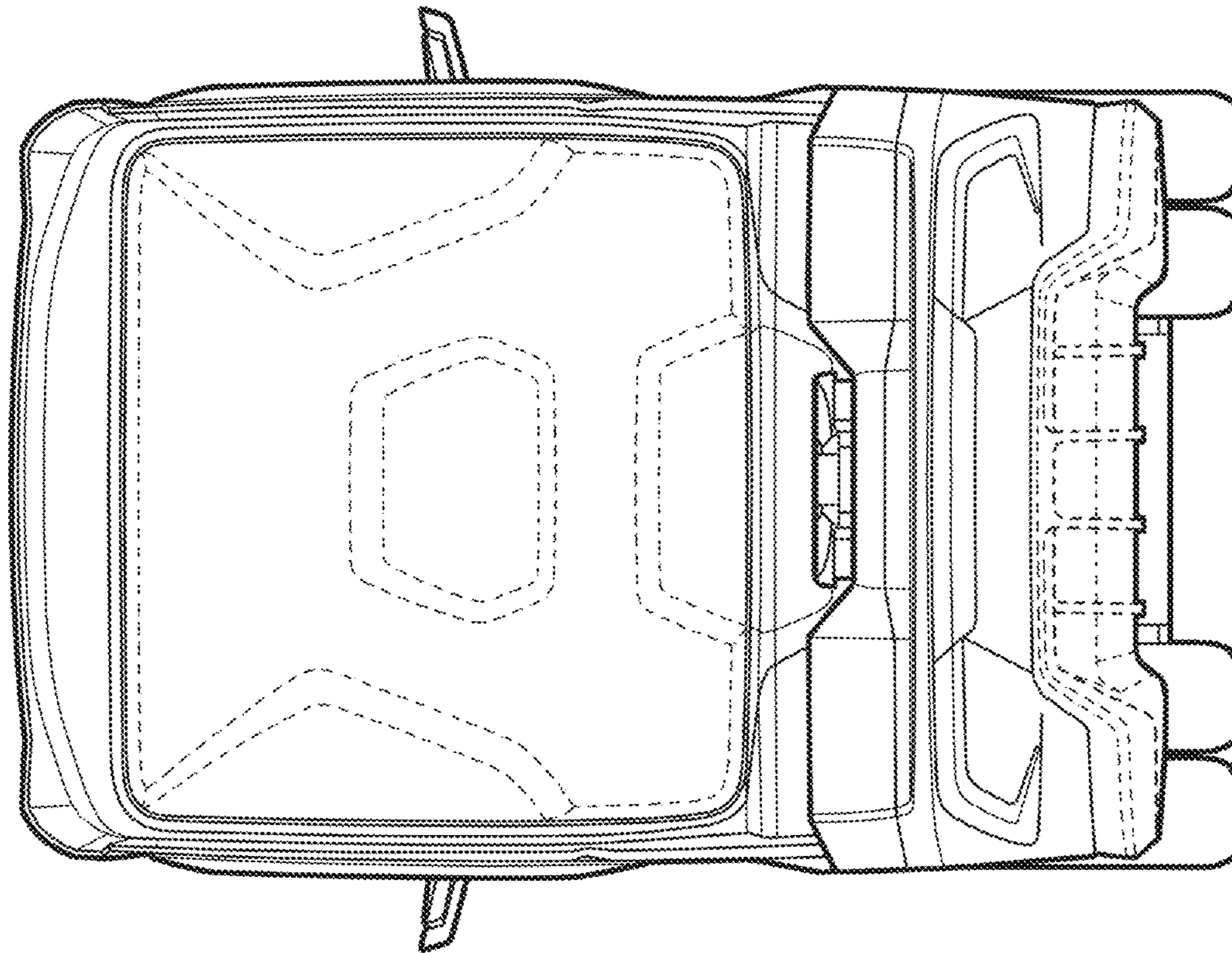


FIG. 4

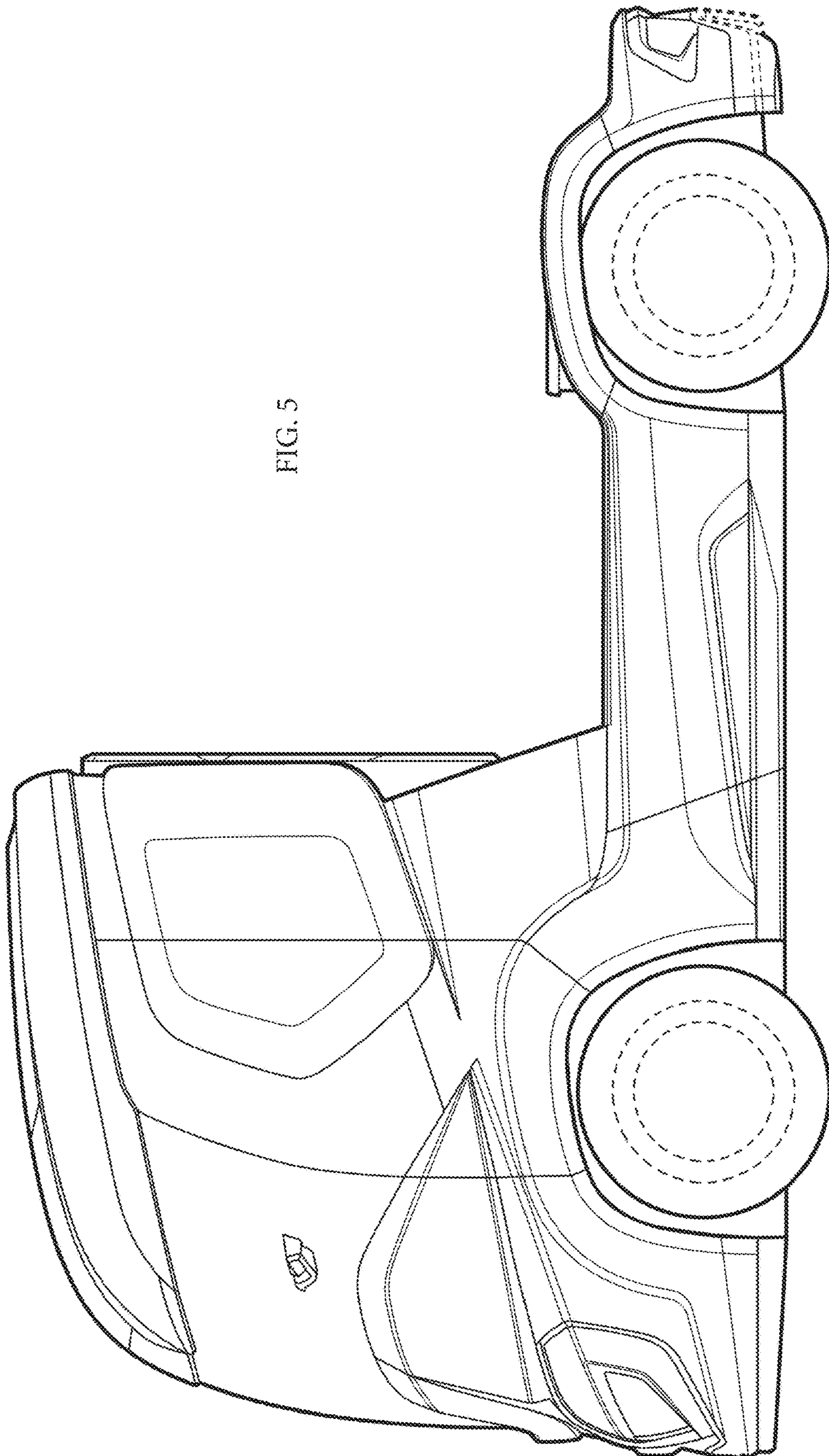


FIG. 5

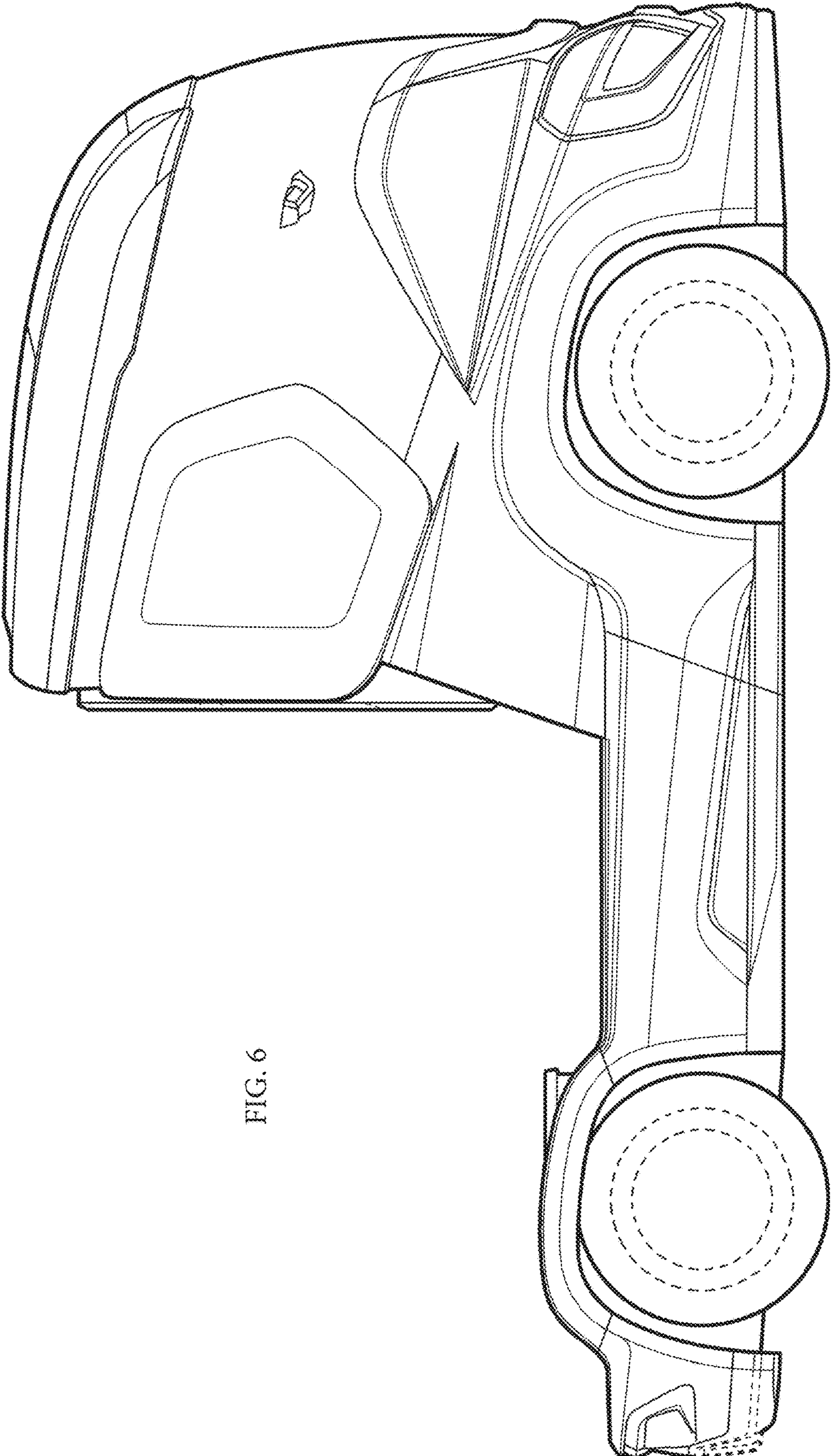


FIG. 6

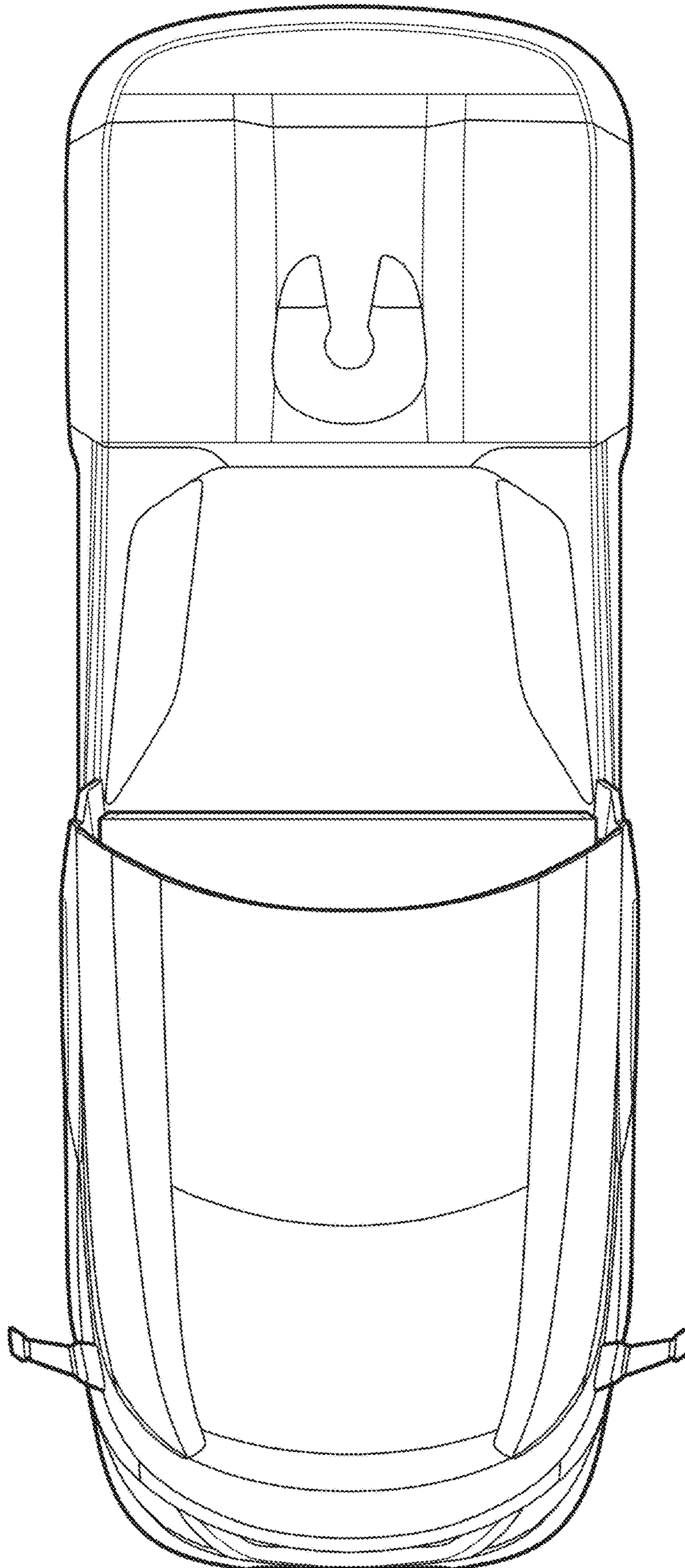


FIG. 7

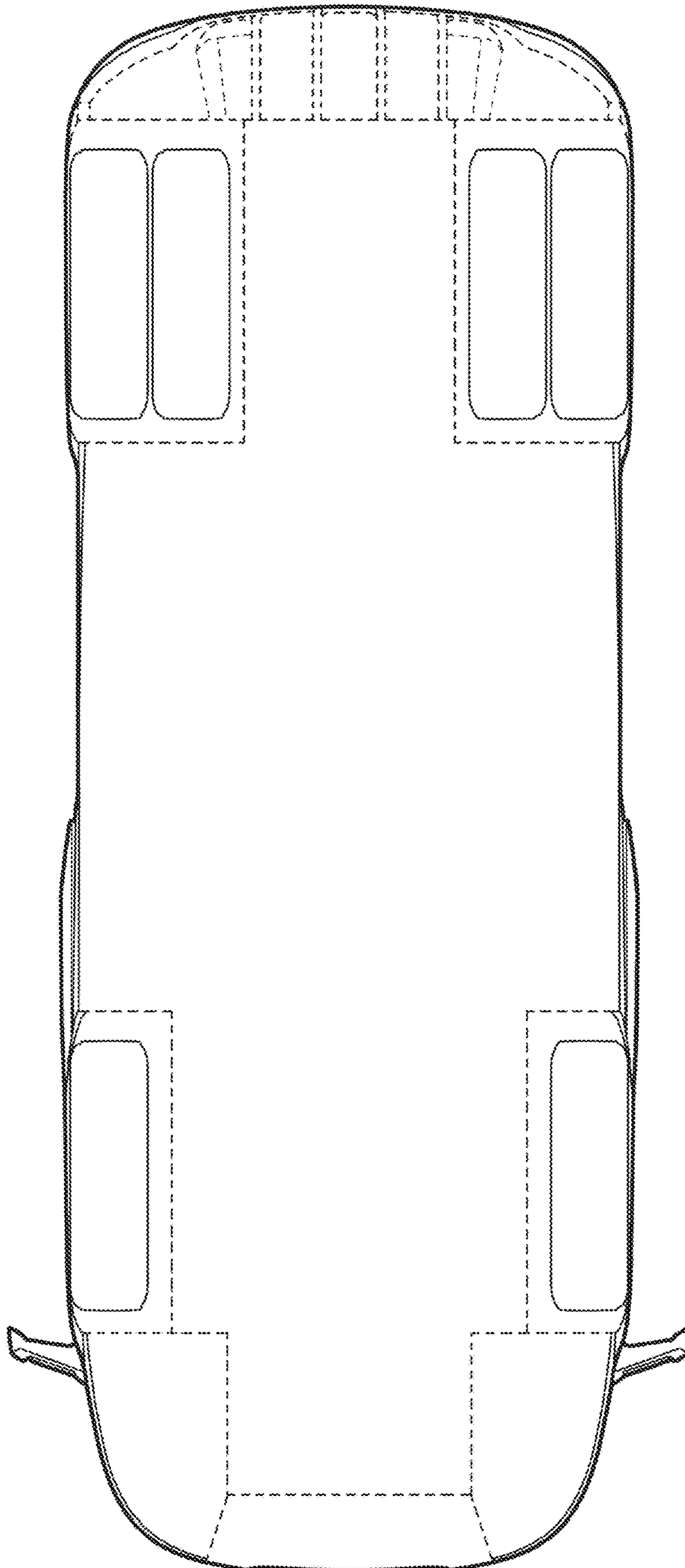


FIG. 8