



US00D871266S

(12) **United States Design Patent** (10) **Patent No.:** **US D871,266 S**  
**Ojea** (45) **Date of Patent:** **\*\* Dec. 31, 2019**

(54) **VEHICLE, TOY, AND/OR REPLICAS THEREOF**  
(71) Applicant: **Bayerische Motoren Werke Aktiengesellschaft, Munich (DE)**  
(72) Inventor: **Jacobo Domínguez Ojea, Munich (DE)**  
(73) Assignee: **Bayerische Motoren Werke Aktiengesellschaft, Munich (DE)**  
(\*\*) Term: **15 Years**  
(21) Appl. No.: **29/659,023**  
(22) Filed: **Aug. 6, 2018**  
(30) **Foreign Application Priority Data**  
Feb. 12, 2018 (DE) ..... 40 2018 100 158  
(51) **LOC (12) Cl.** ..... **12-08**  
(52) **U.S. Cl.**  
USPC ..... **D12/92**  
(58) **Field of Classification Search**  
USPC ..... D12/86, 90-92, 88; D21/424, 433, 434, D21/533; 296/181.1-181.5, 183.1  
CPC ..... B62D 25/00; B62D 25/06; B62D 33/00; B62D 35/00  
See application file for complete search history.

D813,727 S \* 3/2018 Beermann ..... D12/92  
D825,390 S \* 8/2018 Al Attar ..... D12/92  
D831,541 S \* 10/2018 Buckingham ..... D12/92  
D832,147 S \* 10/2018 Ojea ..... D12/92  
D834,453 S \* 11/2018 Buckingham ..... D12/92  
D834,454 S \* 11/2018 Luk ..... D12/92  
D836,031 S \* 12/2018 Lim ..... D12/92  
D844,490 S \* 4/2019 Luk ..... D12/92

**FOREIGN PATENT DOCUMENTS**

EM 000764022-0002 9/2007  
EM 001771015-0001 3/2012

\* cited by examiner

*Primary Examiner* — Melody N Brown

(74) *Attorney, Agent, or Firm* — Crowell & Moring LLP

(57) **CLAIM**

The ornamental design for a vehicle, toy, and/or replicas thereof, as shown and described.

**DESCRIPTION**

This application contains subject matter related to the following co-pending U.S. design patent applications: Application Ser. No. 29/658,829, filed Aug. 3, 2018 and entitled "Radiator Grille for a Vehicle;" and Application Ser. No. 29/624,709, filed Nov. 3, 2017 and entitled "Vehicle, Toy, and/or Replicas Thereof." FIG. 1 is a left, front perspective view of a vehicle, toy, and/or replicas thereof according to the design; FIG. 2 is a left side view thereof; FIG. 3 is a right side view thereof; FIG. 4 is a left, rear perspective view thereof; FIG. 5 is a front view thereof; FIG. 6 is a rear view thereof; and, FIG. 7 is a top view thereof.

**1 Claim, 7 Drawing Sheets**

(56) **References Cited**  
**U.S. PATENT DOCUMENTS**  
D575,679 S 8/2008 Habib  
D639,209 S 6/2011 Faghihzadeh  
D743,846 S \* 11/2015 Guille ..... D12/92  
D759,543 S \* 6/2016 Nissl ..... D12/92  
D764,979 S \* 8/2016 Faghihzadeh ..... D12/92  
D803,100 S \* 11/2017 Forschner ..... D12/92

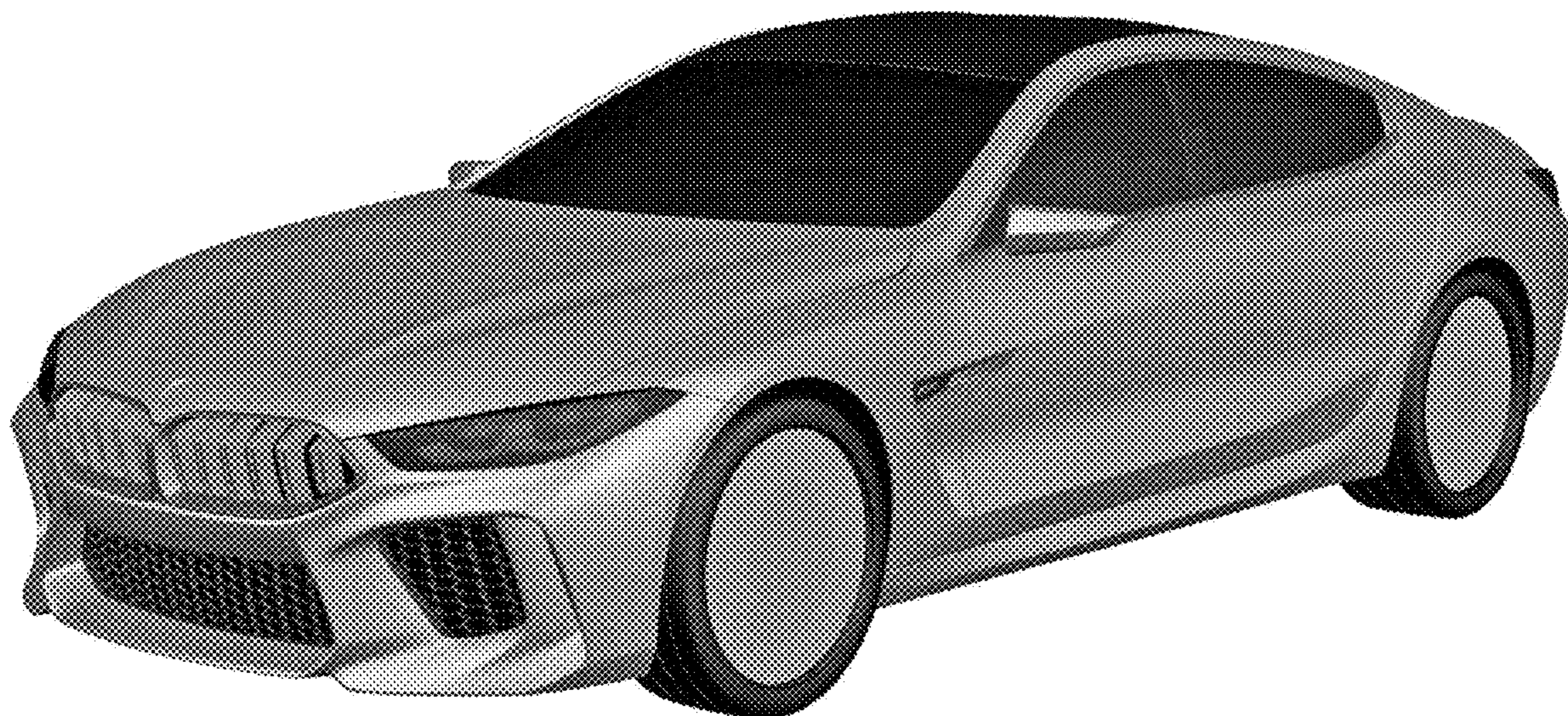




Fig. 1

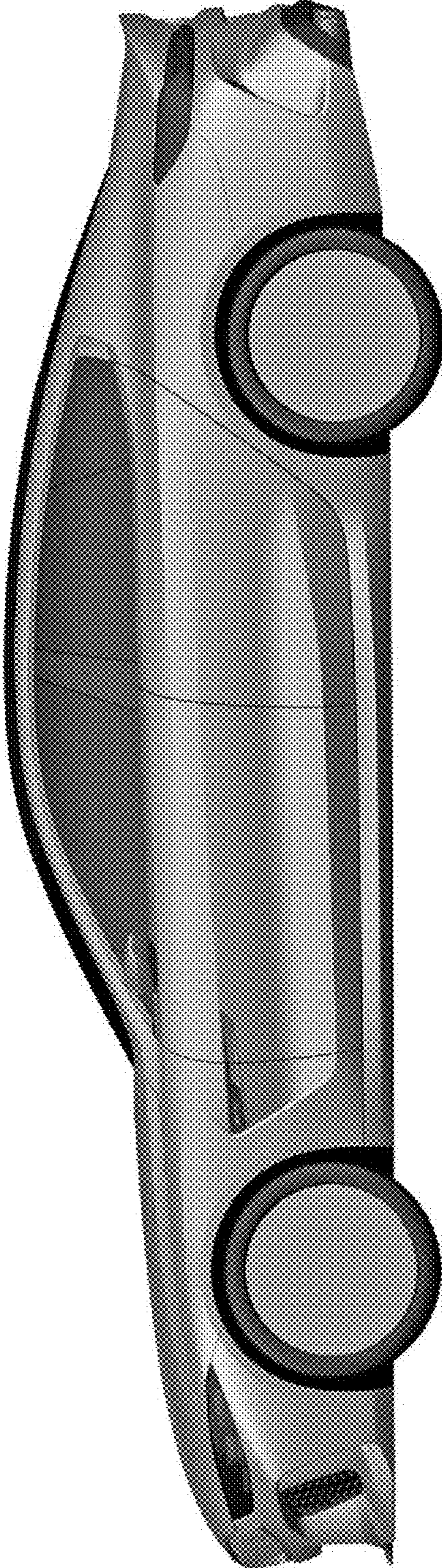


Fig. 2

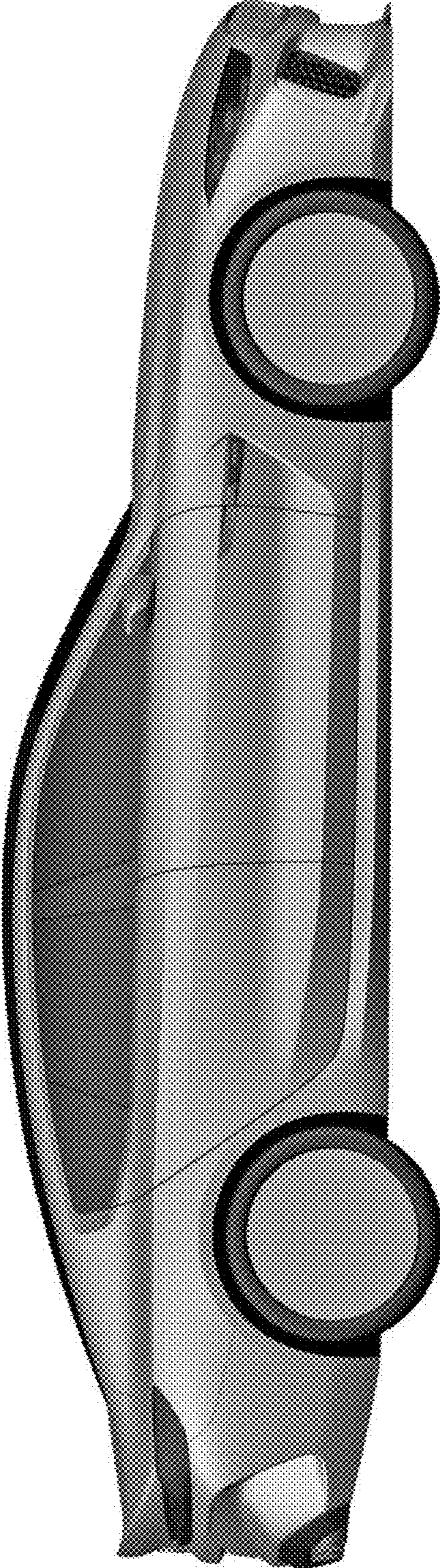


Fig. 3

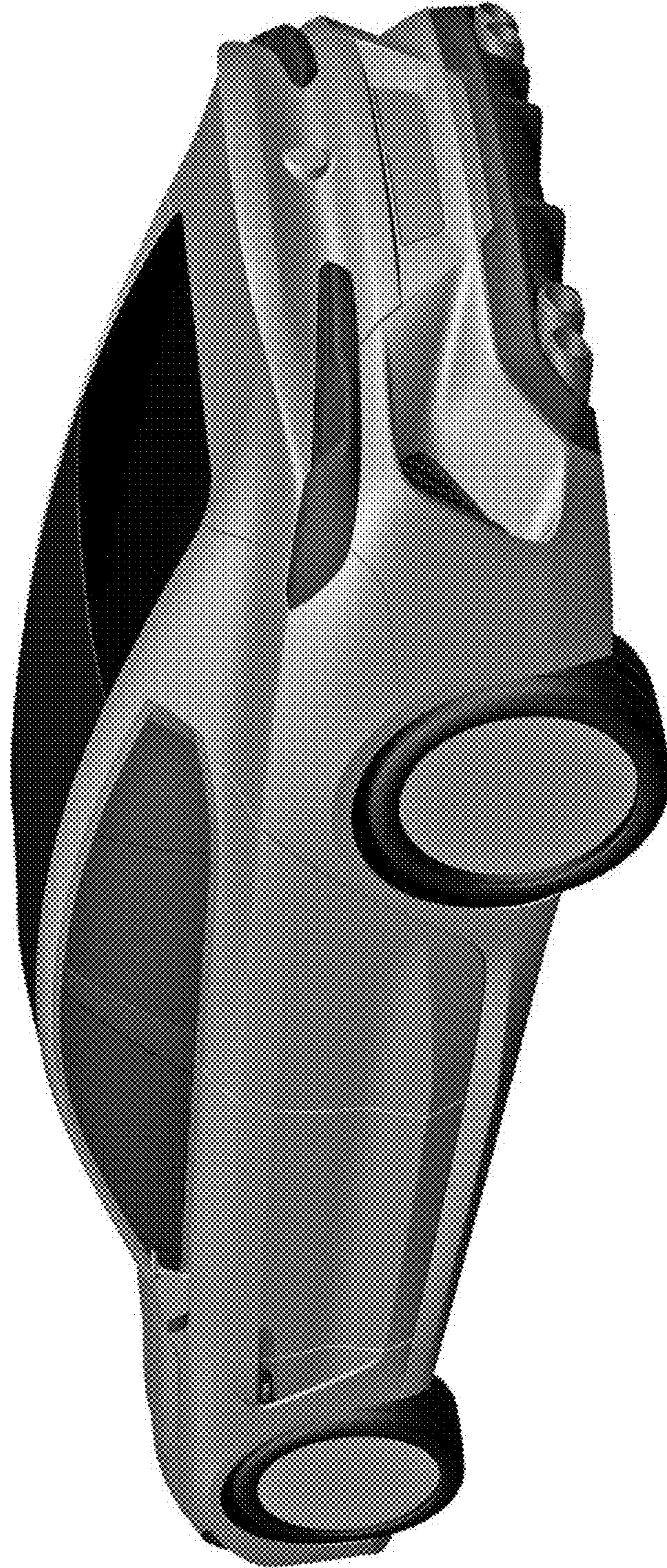


Fig. 4

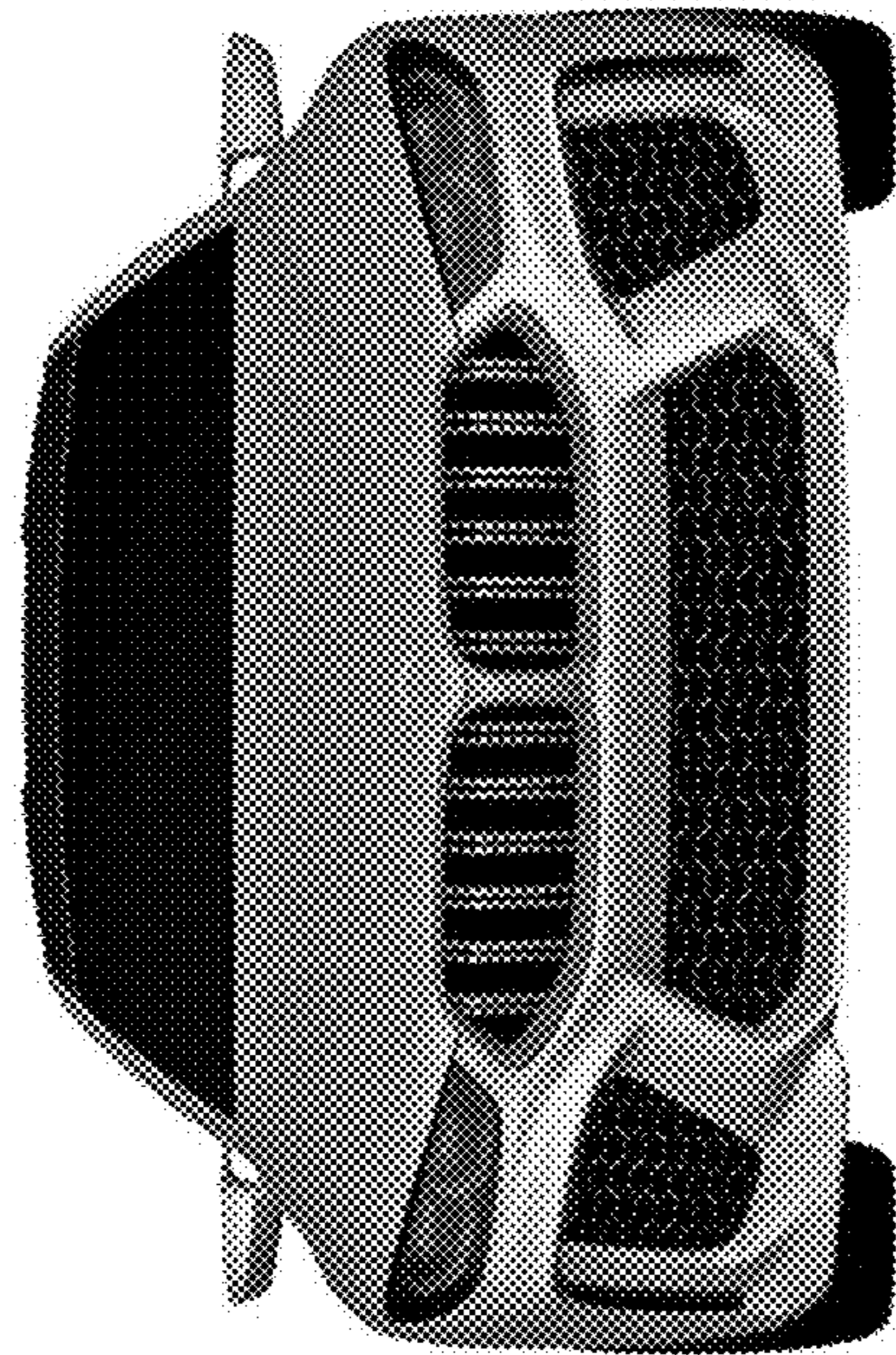


Fig. 5

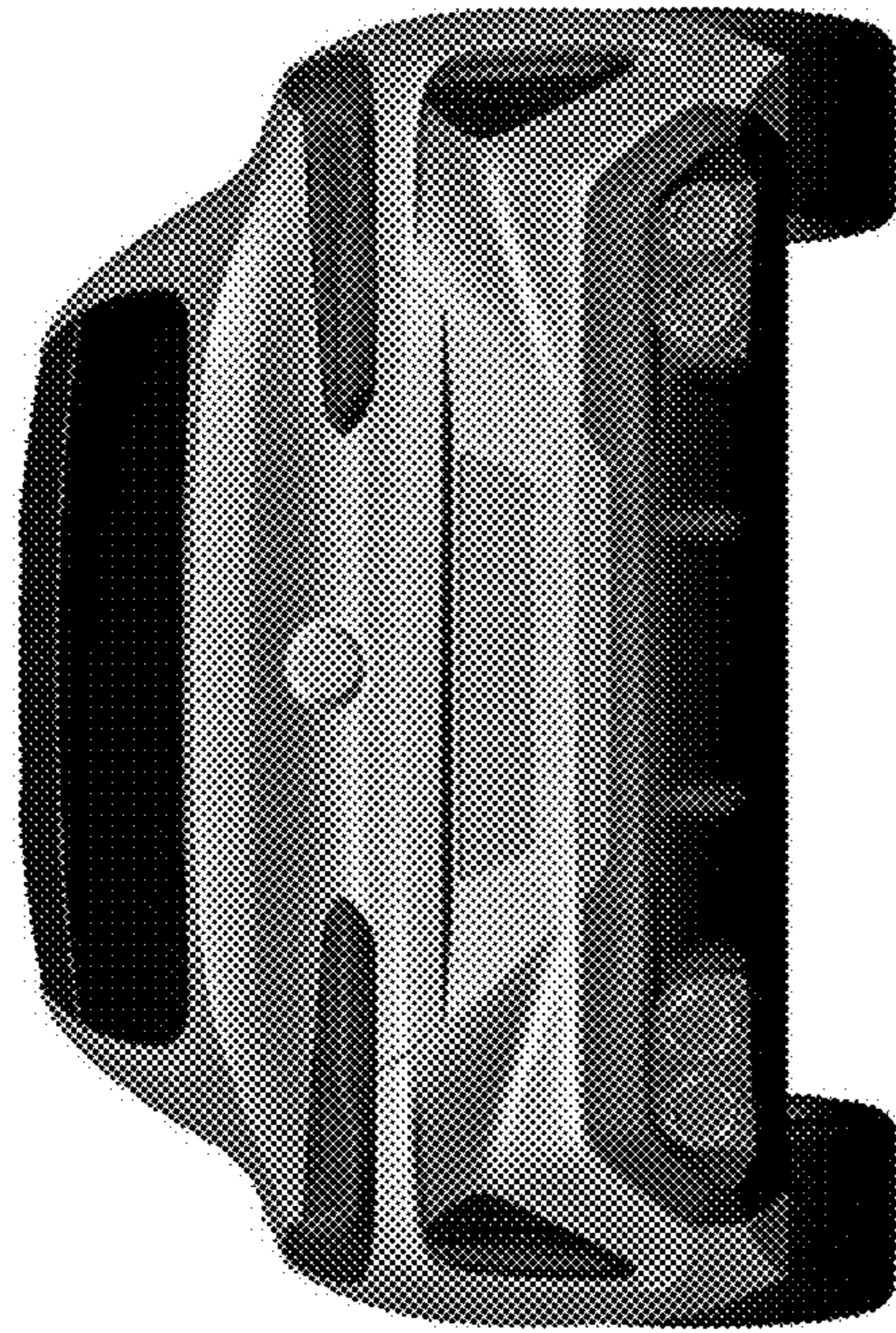


Fig. 6

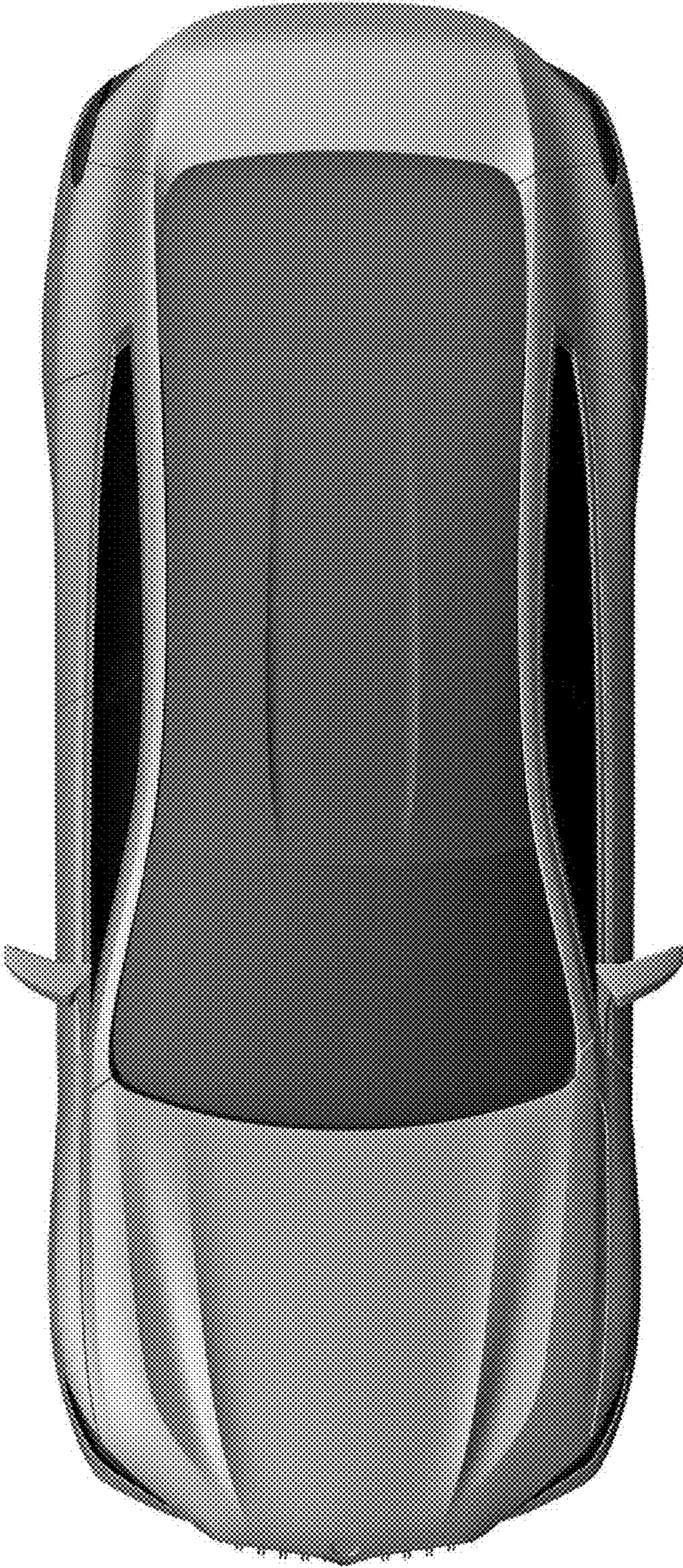


Fig. 7