

US00D871265S

(12) **United States Design Patent**
LaViolette

(10) **Patent No.:** **US D871,265 S**

(45) **Date of Patent:** **** Dec. 31, 2019**

(54) **AUTOMOBILE BODY**

D821,923 S * 7/2018 Lee D12/92
D834,469 S * 11/2018 Manzoni D12/164

(71) Applicant: **Shelby American, Inc.**, Los Angeles, CA (US)

* cited by examiner

(72) Inventor: **Vince LaViolette**, Los Angeles, CA (US)

Primary Examiner — Melody N Brown

(73) Assignee: **Shelby American, Inc.**, Los Angeles, CA (US)

(74) *Attorney, Agent, or Firm* — Smyrski Law Group, A P.C.

(**) Term: **15 Years**

(57) **CLAIM**

(21) Appl. No.: **29/643,920**

The ornamental design of the automobile body, as shown and described.

(22) Filed: **Apr. 12, 2018**

(51) **LOC (12) Cl.** **12-08**

(52) **U.S. Cl.**

USPC **D12/92**

(58) **Field of Classification Search**

USPC D12/86, 90-92; D21/424, 433, 434;
296/181.1-181.5, 183.1

CPC B62D 25/00; B62D 25/06; B62D 33/00;
B62D 35/00

See application file for complete search history.

DESCRIPTION

FIG. 1 is a top, front and left side perspective view of an automobile body showing my new design; FIG. 2 is a left side elevational view thereof; FIG. 3 is a right side elevational view thereof; FIG. 4 is a top plan view thereof; FIG. 5 is a front elevational view thereof; and, FIG. 6 is a rear elevational view thereof.

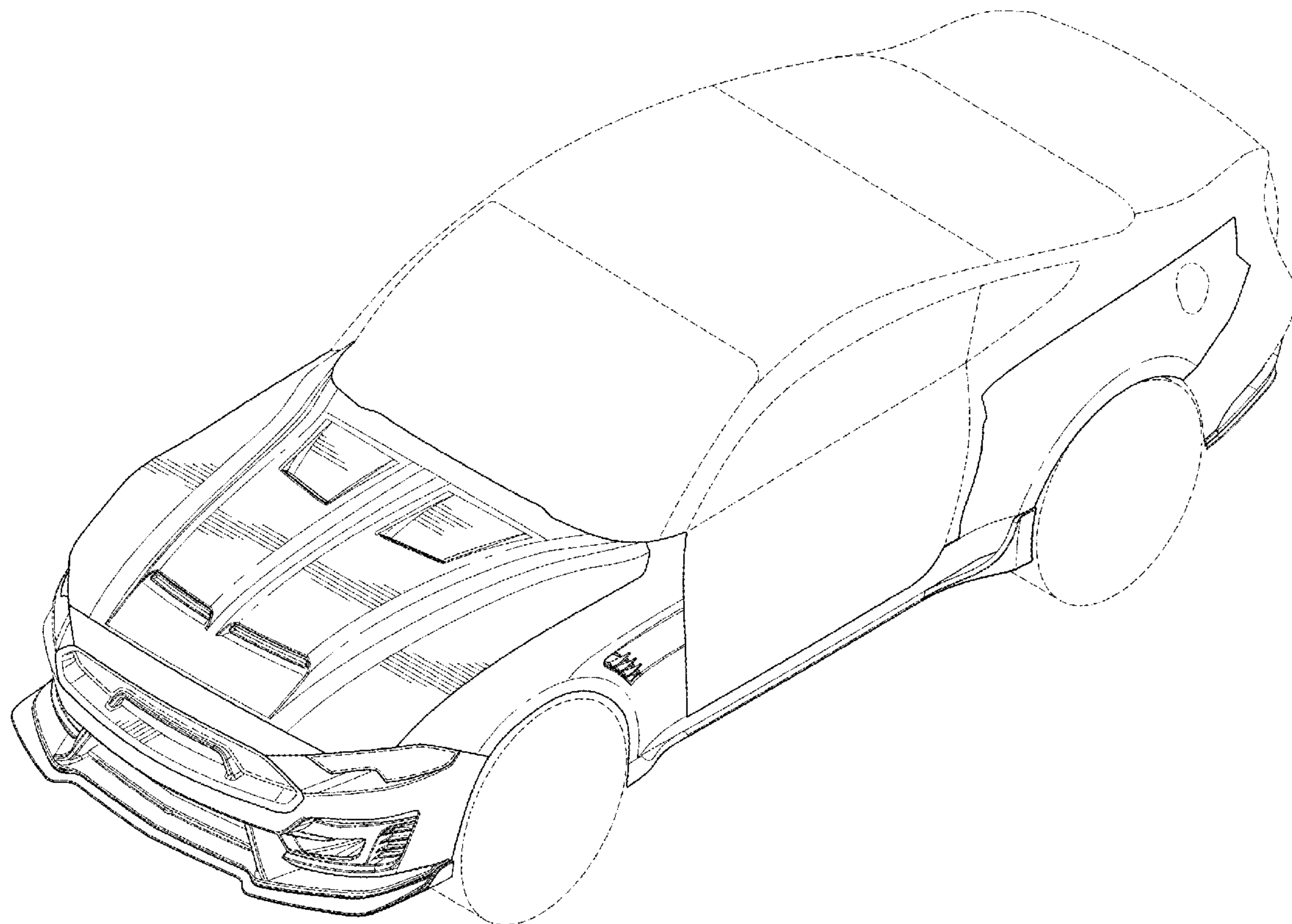
The broken lines shown throughout the drawing views are for illustrative and environmental purposes and form no part of the claimed design.

(56) **References Cited**

U.S. PATENT DOCUMENTS

D573,508 S * 7/2008 Brown, Jr. D12/190
D727,212 S * 4/2015 Menegon D12/92

1 Claim, 6 Drawing Sheets



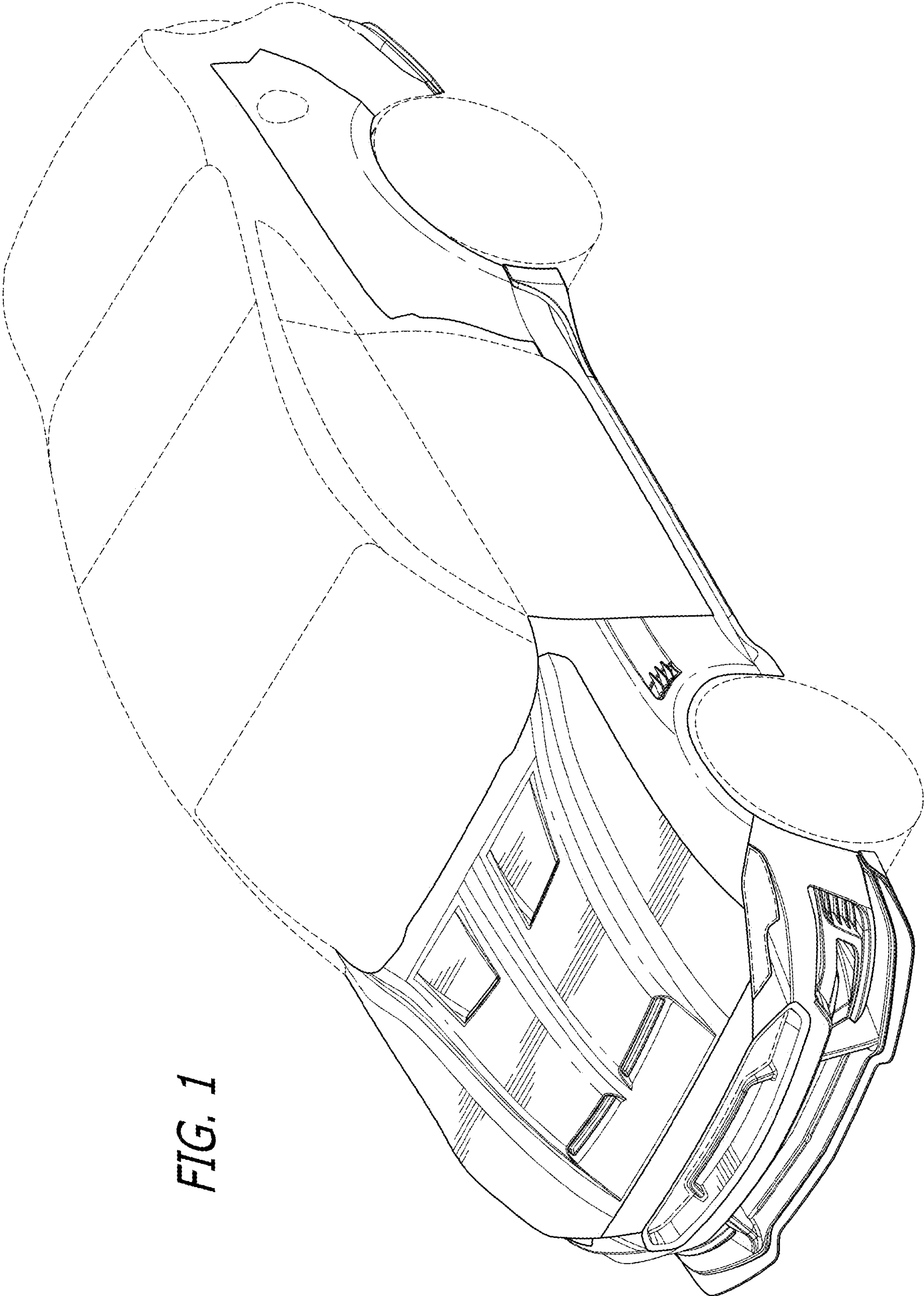


FIG. 1

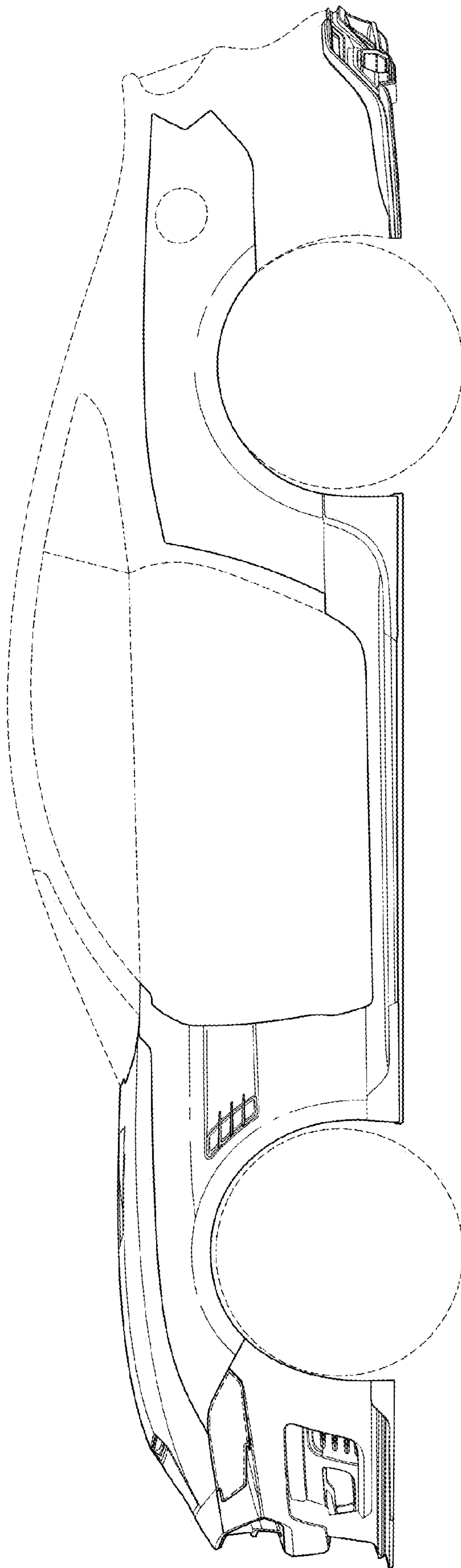


FIG. 2

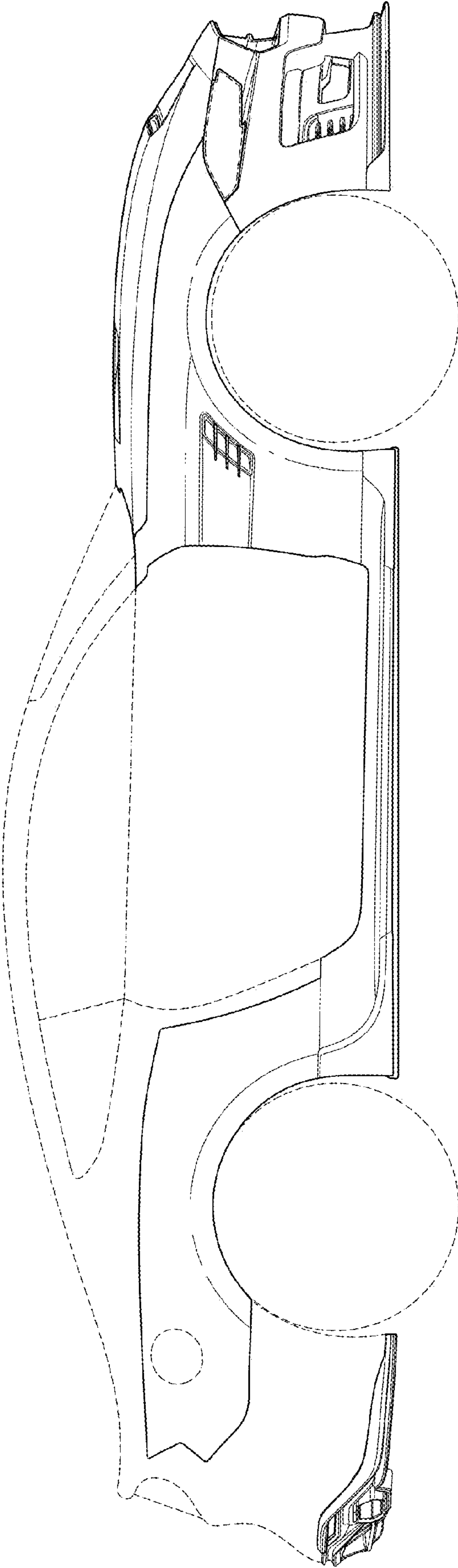


FIG. 3

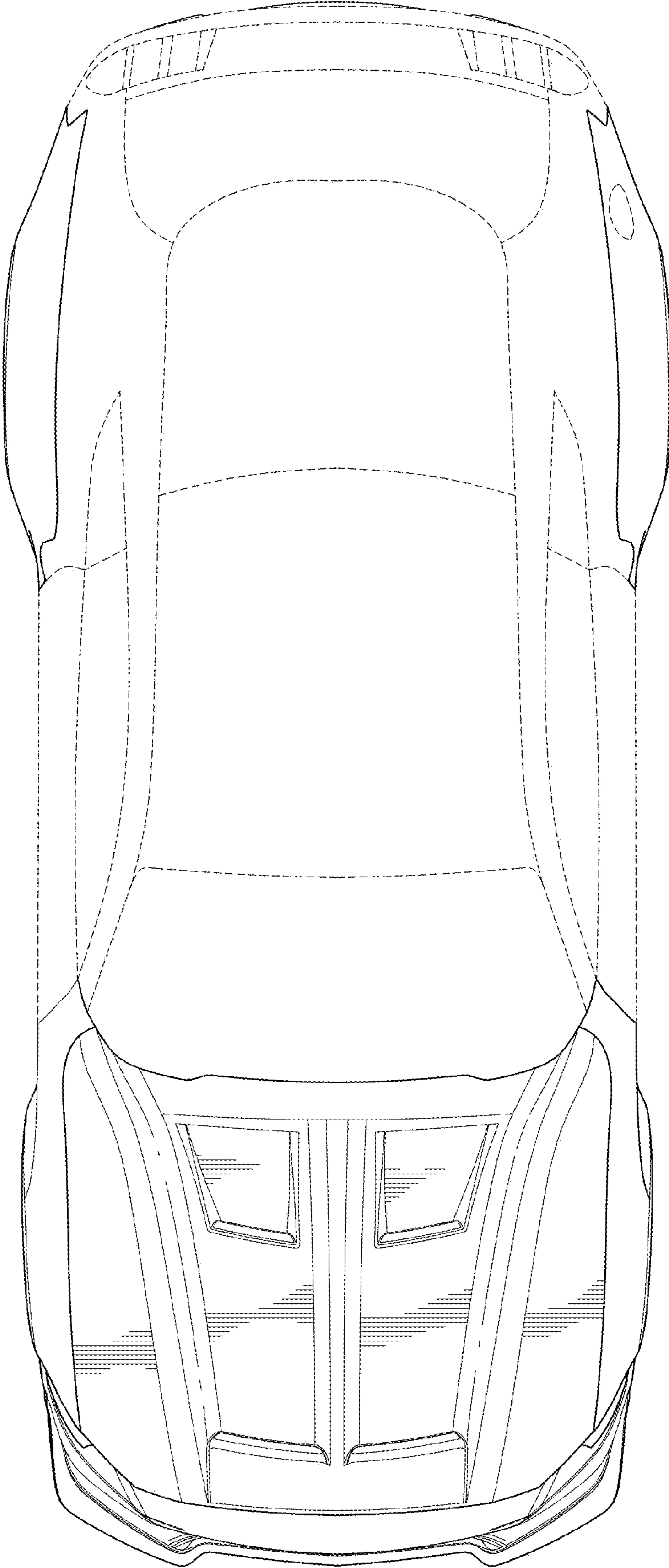


FIG. 4

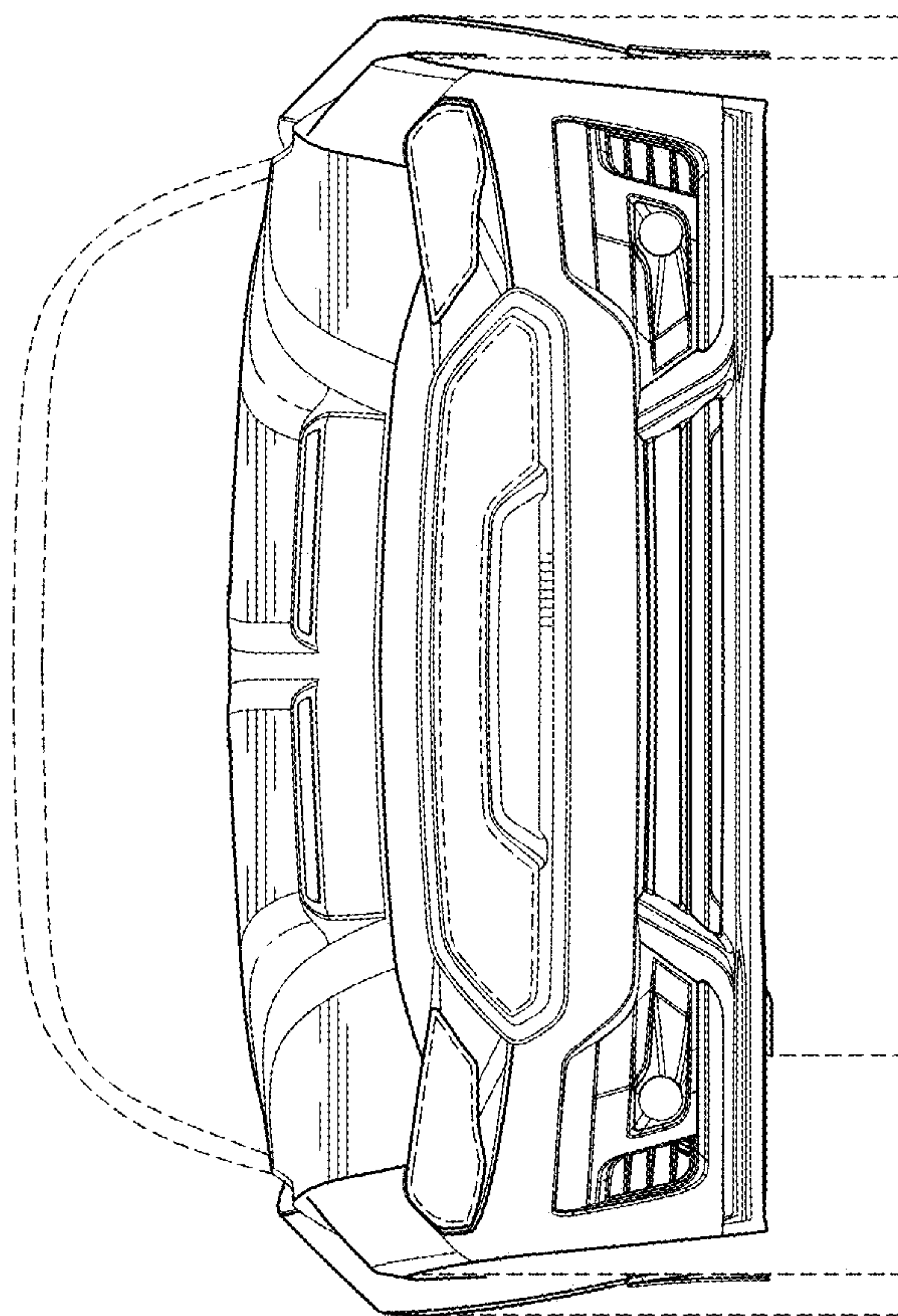


FIG. 5

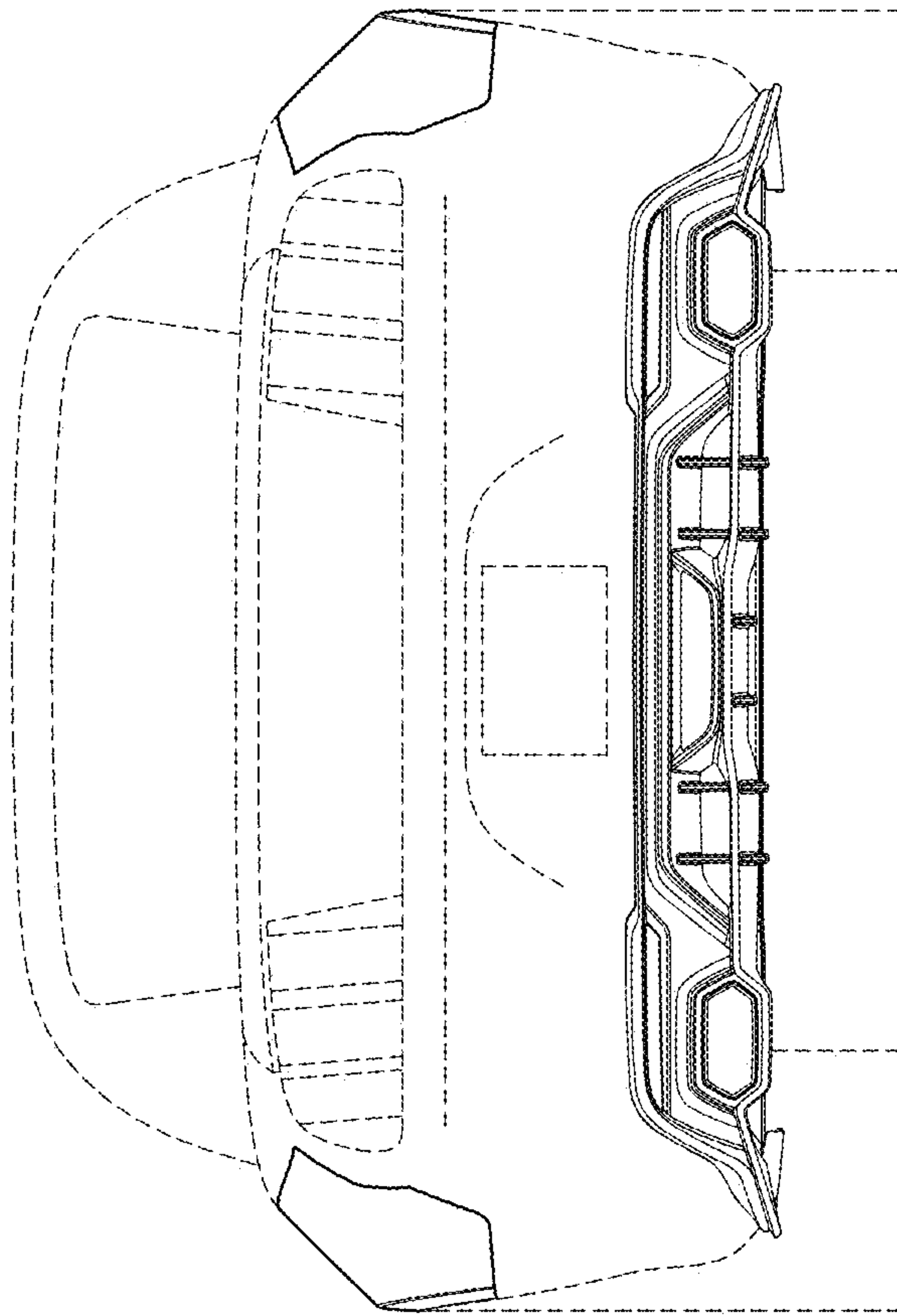


FIG. 6