



US00D871259S

(12) **United States Design Patent** (10) **Patent No.:** **US D871,259 S**
Yamashita (45) **Date of Patent:** **** Dec. 31, 2019**

(54) **REAR BUMPER FOR MOTOR VEHICLE**

(71) Applicant: **Dr. Ing. h.c. F. Porsche**
Aktiengesellschaft, Stuttgart (DE)

(72) Inventor: **Shuichi Yamashita, Gerlingen (DE)**

(73) Assignee: **Dr. Ing. h.c. F. Porsche**
Aktiengesellschaft (DE)

(**) Term: **15 Years**

(21) Appl. No.: **29/646,339**

(22) Filed: **May 3, 2018**

(30) **Foreign Application Priority Data**

Nov. 10, 2017 (DE) 40 2017 101 221

(51) **LOC (12) Cl.** **12-08**

(52) **U.S. Cl.**
USPC **D12/91**

(58) **Field of Classification Search**
USPC D12/86, 90-92, 88; D21/424, 433, 434,
D21/533; 296/181.1-181.5, 183.1
CPC B62D 25/00; B62D 25/06; B62D 33/00;
B62D 35/00
See application file for complete search history.

(56) **References Cited**

U.S. PATENT DOCUMENTS

D659,603 S 5/2012 Varga
D659,605 S 5/2012 Varga
D659,608 S 5/2012 Robinson
D680,475 S 4/2013 Scheinhotte
D682,755 S 5/2013 Robinson
D685,300 S 7/2013 Varga
D712,805 S 9/2014 Murkett
D754,040 S 4/2016 Varga

D766,786 S 9/2016 Varga
D797,019 S 9/2017 Yamashita et al.
D808,871 S * 1/2018 Peat D12/169
D813,110 S * 3/2018 Whitla D12/169
D813,754 S * 3/2018 Loeb D12/169
D827,517 S * 9/2018 Whang D12/169
D833,331 S * 11/2018 Yamashita D12/92
D833,343 S * 11/2018 Patel D12/169
D847,045 S * 4/2019 Whitla D12/169
D848,910 S * 5/2019 Scheinhutte D12/169

OTHER PUBLICATIONS

Design U.S. Appl. No. 29/613,583, by Scheinhutte et al., filed Aug. 11, 2017.

* cited by examiner

Primary Examiner — Melody N Brown

(74) *Attorney, Agent, or Firm* — RatnerPrestia

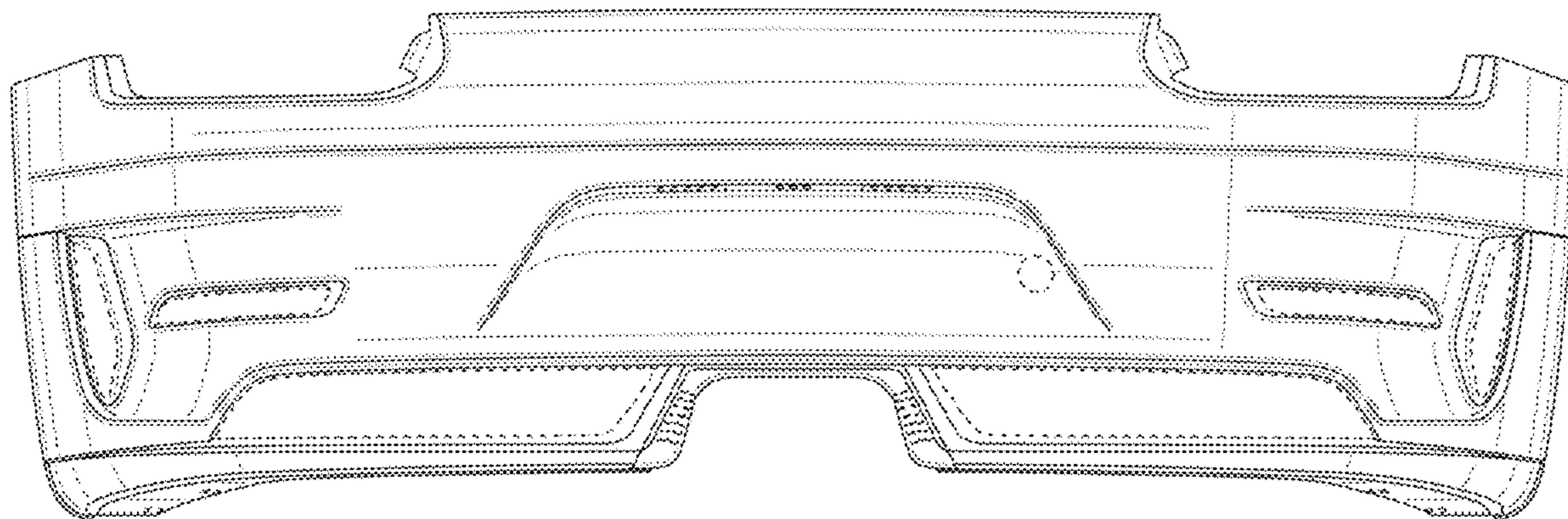
(57) **CLAIM**

The ornamental design for a rear bumper for motor vehicle, as shown and described.

DESCRIPTION

FIG. 1 is a perspective view of a rear bumper for motor vehicle;
FIG. 2 is a front elevation view thereof;
FIG. 3 is an elevation view thereof from the right side, the left side being a mirror image thereof;
FIG. 4 is a top plan view thereof; and,
FIG. 5 is a bottom plan view thereof.
The broken line showing of the rear bumper for motor vehicle is for the purpose of illustrating portions of the rear bumper for motor vehicle and forms no part of the claimed design.

1 Claim, 5 Drawing Sheets



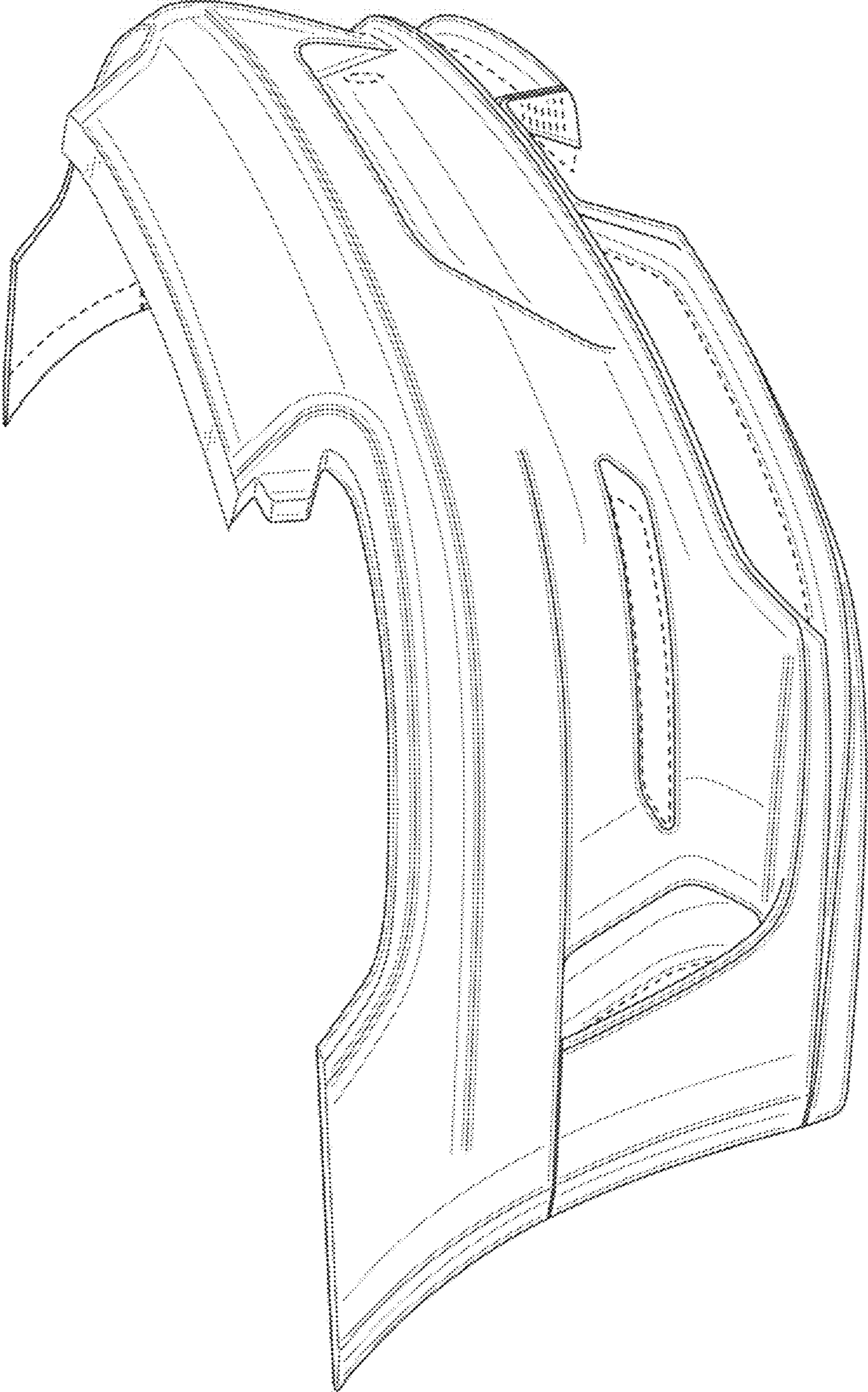


FIG. 1

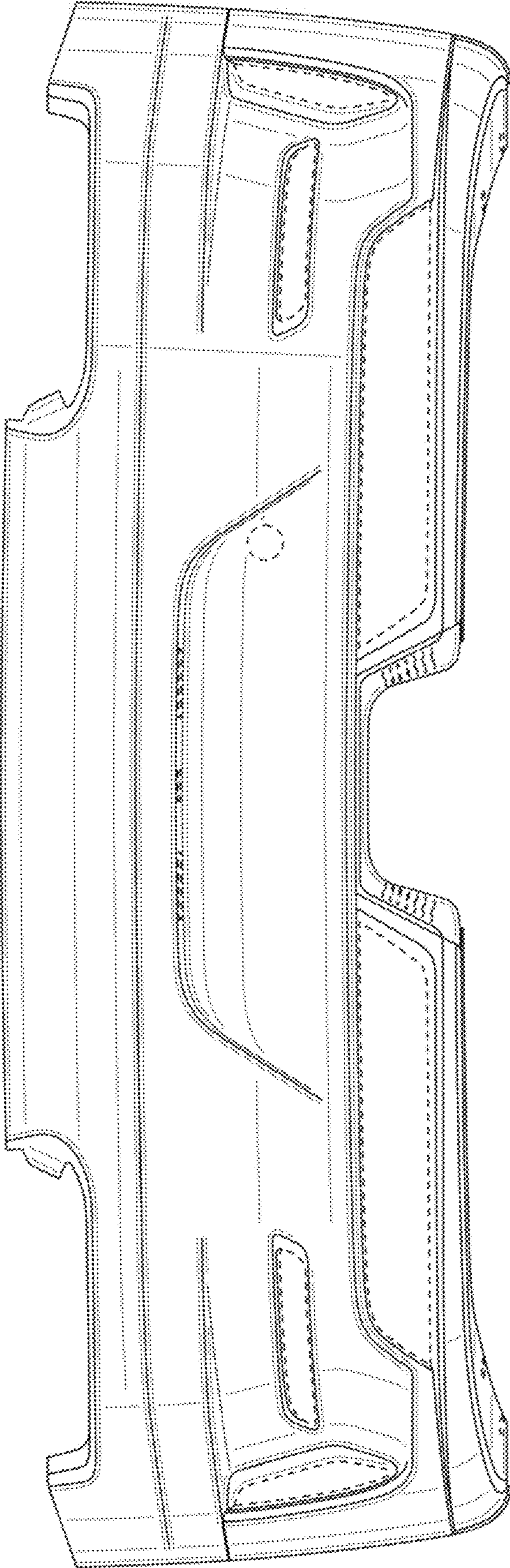


FIG. 2

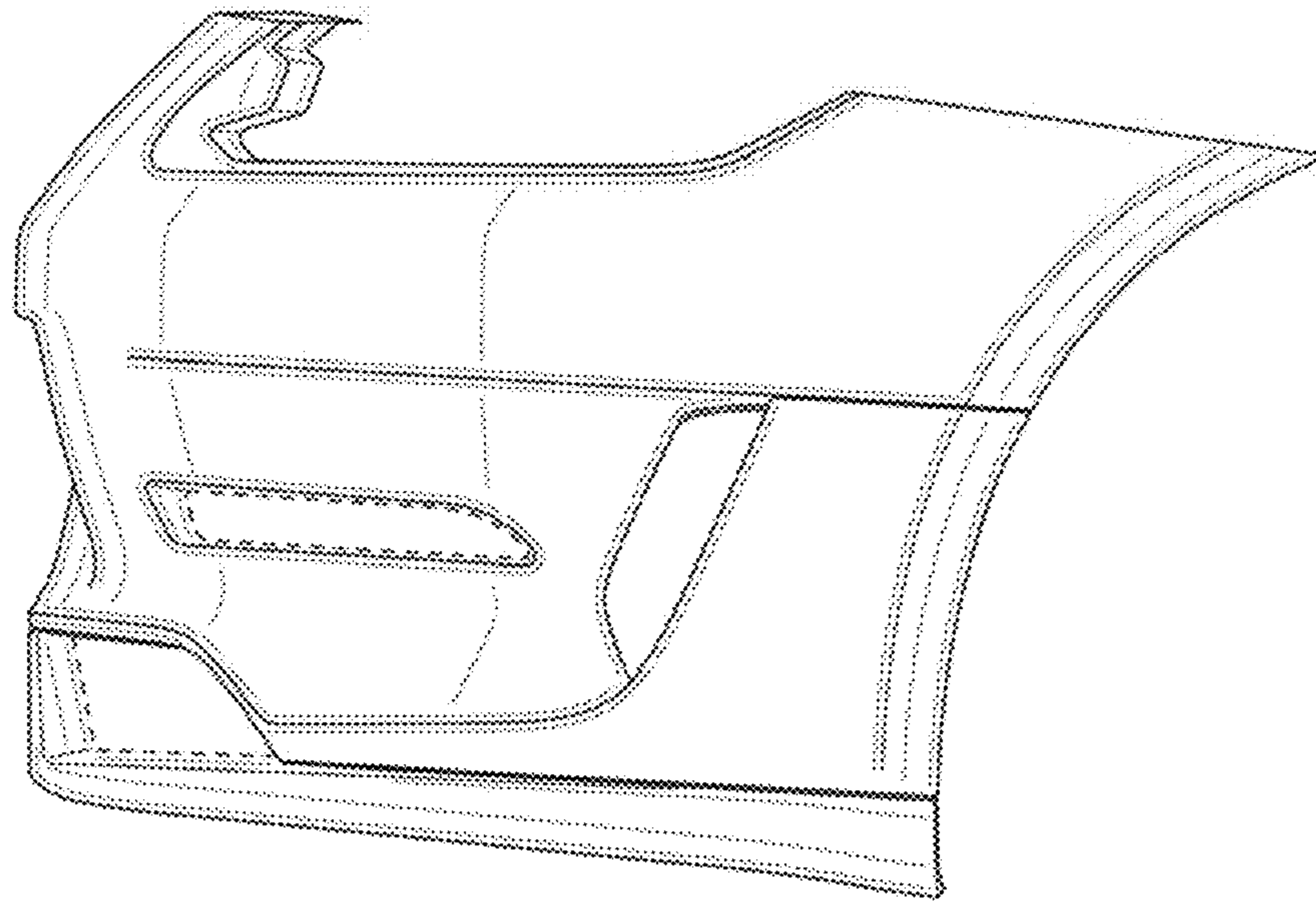


FIG. 3

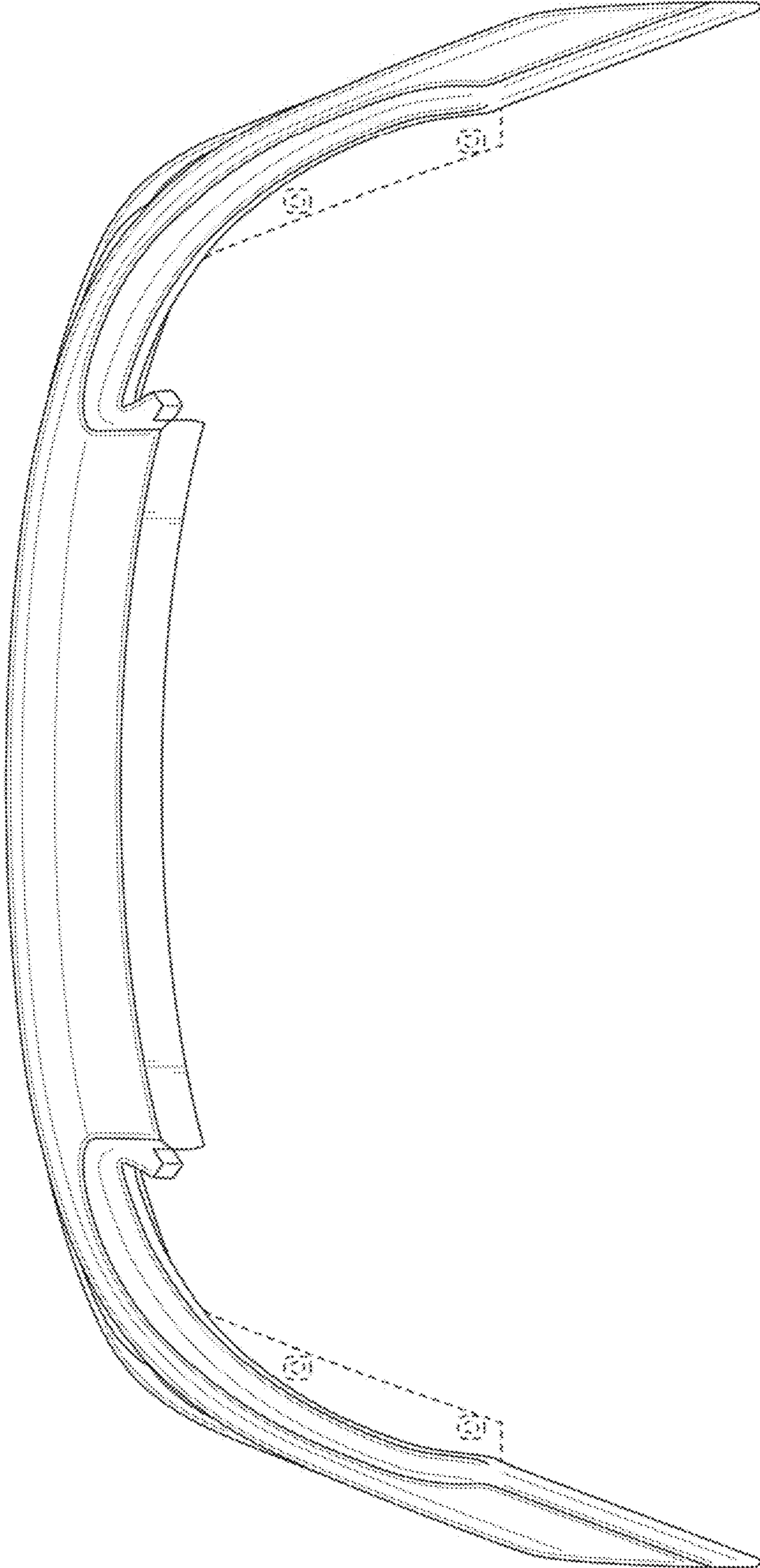


FIG. 4

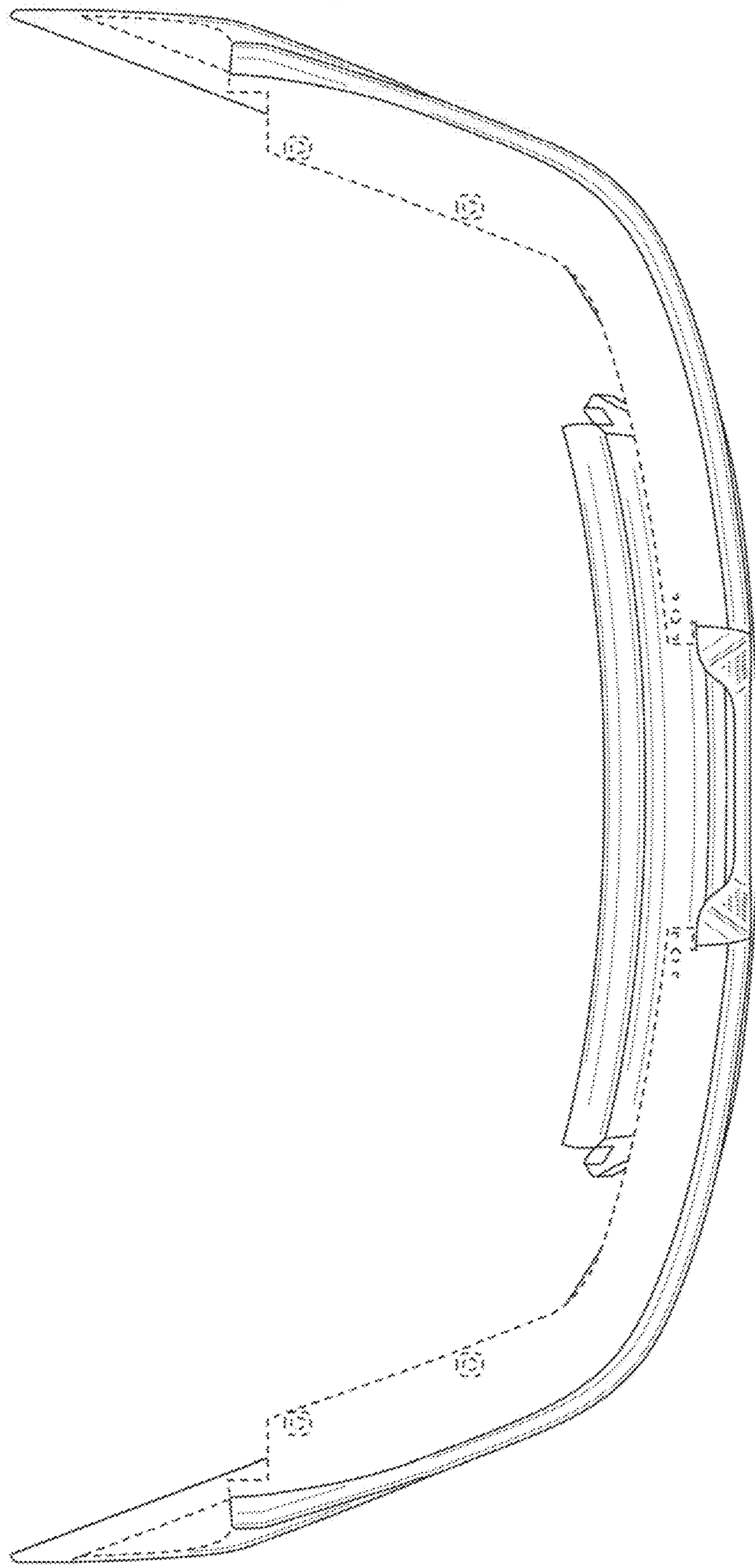


FIG. 5