



US00D871257S

(12) **United States Design Patent** (10) **Patent No.:** **US D871,257 S**
Cacciabeve (45) **Date of Patent:** **** Dec. 31, 2019**

(54) **PORTABLE LIGHT**
(71) Applicant: **Walter R. Tucker Enterprises, Ltd.**,
Deposit, NY (US)
(72) Inventor: **Robert Cacciabeve**, Boonton, NJ (US)
(73) Assignee: **Walter R. Tucker Enterprises, Ltd.**,
Deposit, NY (US)

D623,783 S 9/2010 Christianson et al.
D699,875 S 2/2014 Christianson et al.
8,715,328 B2 5/2014 Gerardo
D752,791 S * 3/2016 Ferguson D26/39
D768,024 S 10/2016 Dayal et al.
9,534,752 B1 1/2017 Mishan
9,546,779 B2 1/2017 Rementer
(Continued)

(**) Term: **15 Years**
(21) Appl. No.: **29/665,881**

CN 201661949 U 12/2010
CN 201916829 U 8/2011
(Continued)

(22) Filed: **Oct. 8, 2018**
(51) **LOC (12) Cl.** **26-39**
(52) **U.S. Cl.**
USPC **D12/39**
(58) **Field of Classification Search**
USPC D26/1, 24, 25, 43, 60, 110, 113, 28, 37,
D26/61, 85, 102, 138-140; 362/249.14,
362/311.02, 311.13
CPC F21S 4/00; F21S 4/10; F21S 4/15; F21S
4/26; F21S 2/00; F21V 11/02; F21V
11/06; F21V 17/10; F21V 17/16; F21V
21/0296; F21V 21/0054; F21V 21/008;
F21V 21/00; F21V 21/08; F21V 23/00;
F21V 23/04; F21V 33/00; F21W 2121/00;
F21W 2121/04; F21Y 2115/10; F21L
4/00; F21L 4/02; F21L 4/04; F21L 4/08
See application file for complete search history.

FOREIGN PATENT DOCUMENTS

OTHER PUBLICATIONS

Multifunction 24 LED Long Range Flexible Snake Light Flashlight,
SKU# ZP3051000711006, <https://www.zapals.com>, 3 pages, Jan. 4,
2019.

(Continued)
Primary Examiner — Abraham Bahta
(74) *Attorney, Agent, or Firm* — Breiner & Breiner,
L.L.C.

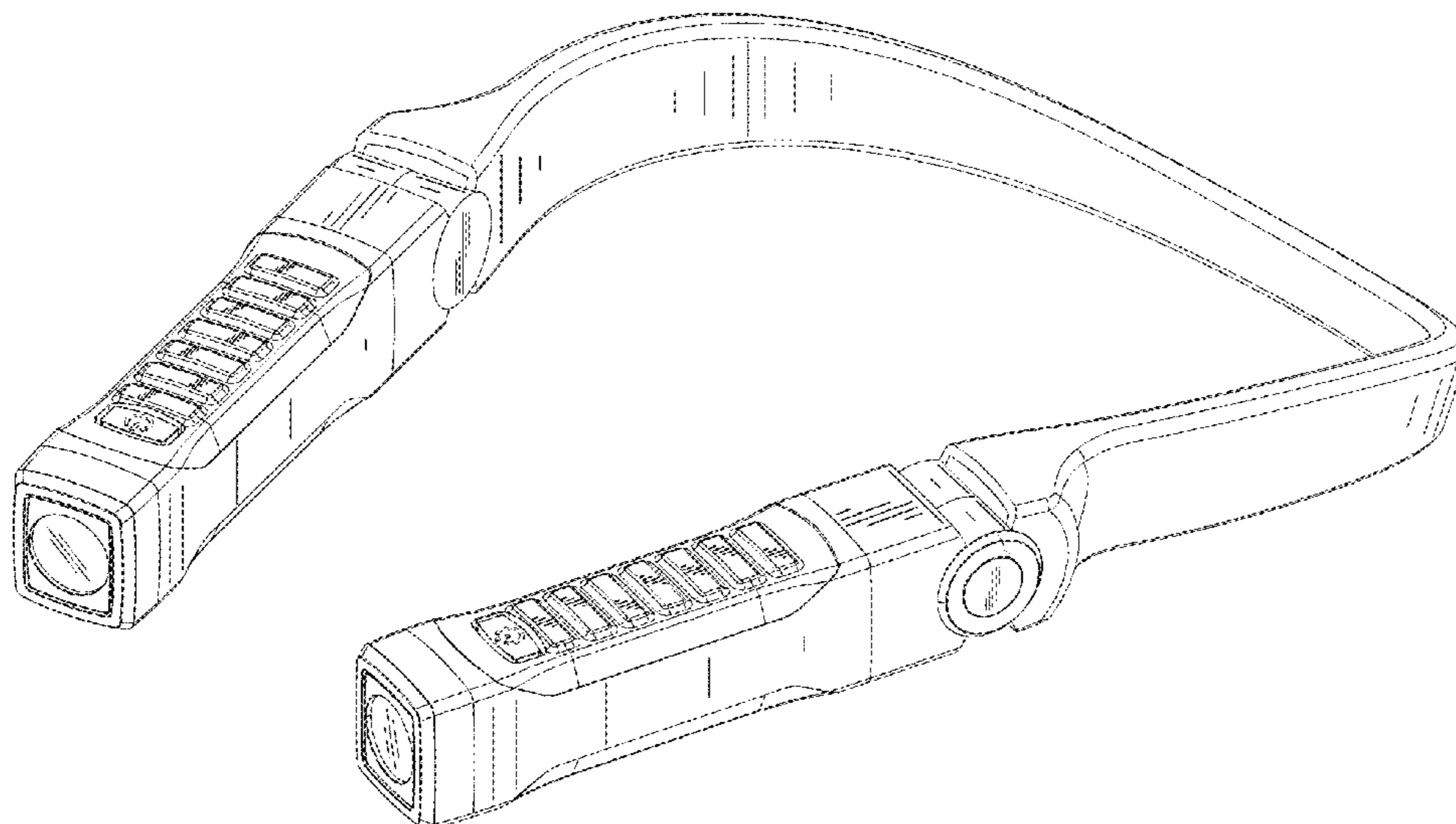
(57) **CLAIM**
The ornamental design for a portable light, as shown and
described.

DESCRIPTION

FIG. 1 is a front/side elevational perspective view of the
portable light;
FIG. 2 is a top view of the portable light;
FIG. 3 is a bottom view of the portable light;
FIG. 4 is a front view of the portable light;
FIG. 5 is a rear view of the portable light;
FIG. 6 is a first side view of the portable light; and,
FIG. 7 is a second side view of the portable light.
The broken lines in the figures represent portions of the
portable light that form no part of the claim design.

(56) **References Cited**
U.S. PATENT DOCUMENTS
D268,442 S 3/1983 Darmon
D306,351 S 2/1990 Charet et al.
6,680,844 B2 1/2004 Kim
6,866,395 B2 3/2005 Phipps et al.
6,874,908 B2 4/2005 Sharrah et al.
7,175,295 B2 2/2007 Bretz et al.
D571,942 S 6/2008 Christianson
D583,971 S * 12/2008 Castellucci D26/39

1 Claim, 5 Drawing Sheets



(56)

References Cited

U.S. PATENT DOCUMENTS

9,677,901 B2 6/2017 Yamamoto
D804,070 S 11/2017 Mishan
D836,810 S * 12/2018 DeBrunner D26/39
D841,850 S * 2/2019 Williams D26/39
D861,212 S * 9/2019 Windom D26/39
2003/0161143 A1 8/2003 Parker et al.
2003/0189824 A1 10/2003 Meeder et al.
2017/0138585 A1 5/2017 Korenek et al.

FOREIGN PATENT DOCUMENTS

CN 203363701 U 12/2013
WO 2017126512 A1 7/2017

OTHER PUBLICATIONS

MyLight HL000002 HUGlight Pro LED Hands Free Magnetic Task
Light by My Light, <https://www.amazon.com>. 1 page, Jan. 4, 2019.
My Light HUG Light LED Hands-Free Flexible Book Light by My
Light, <https://www.amazon.com>, 8 pages, Jan. 4, 2019.

* cited by examiner

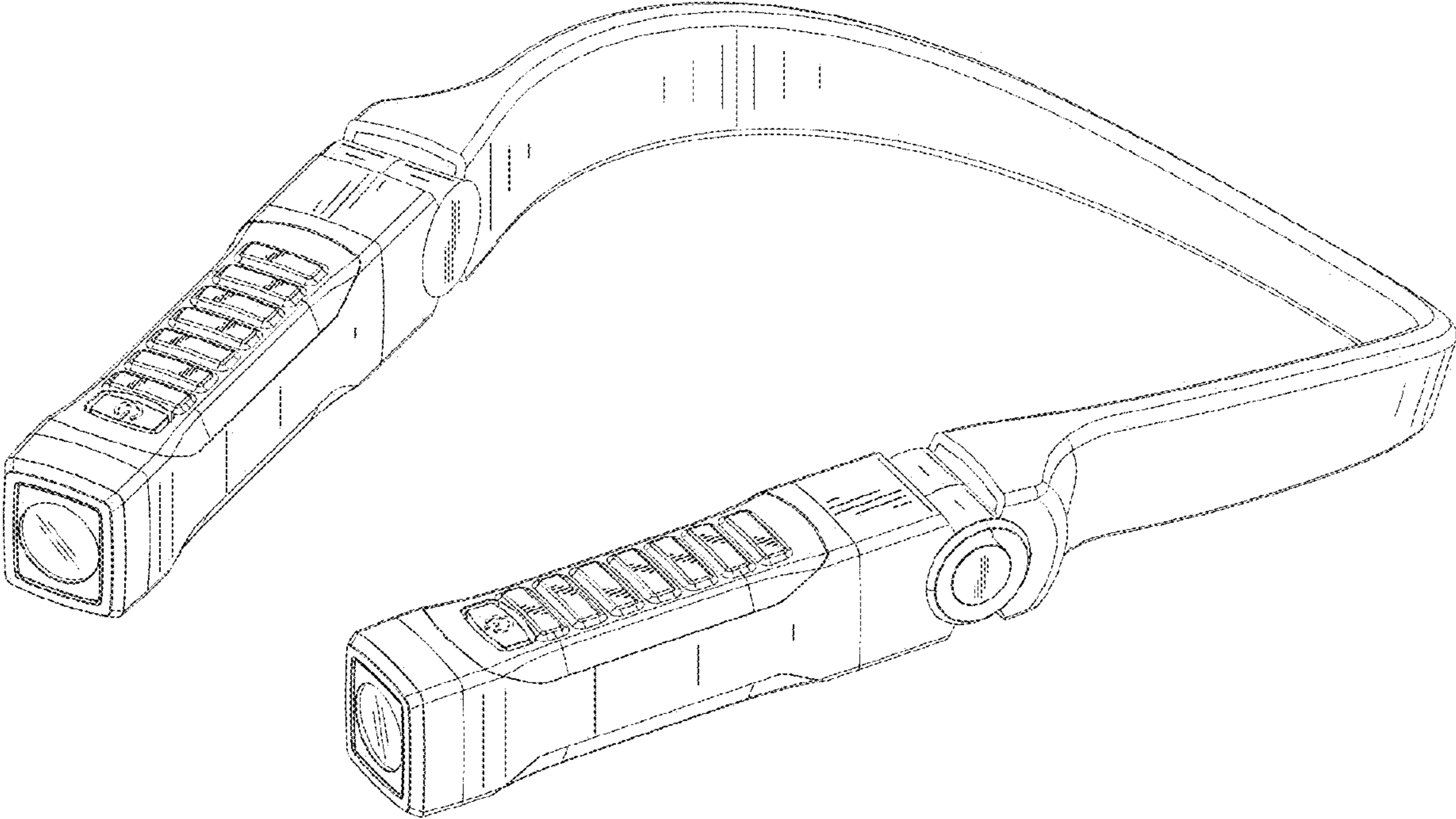


FIG. 1

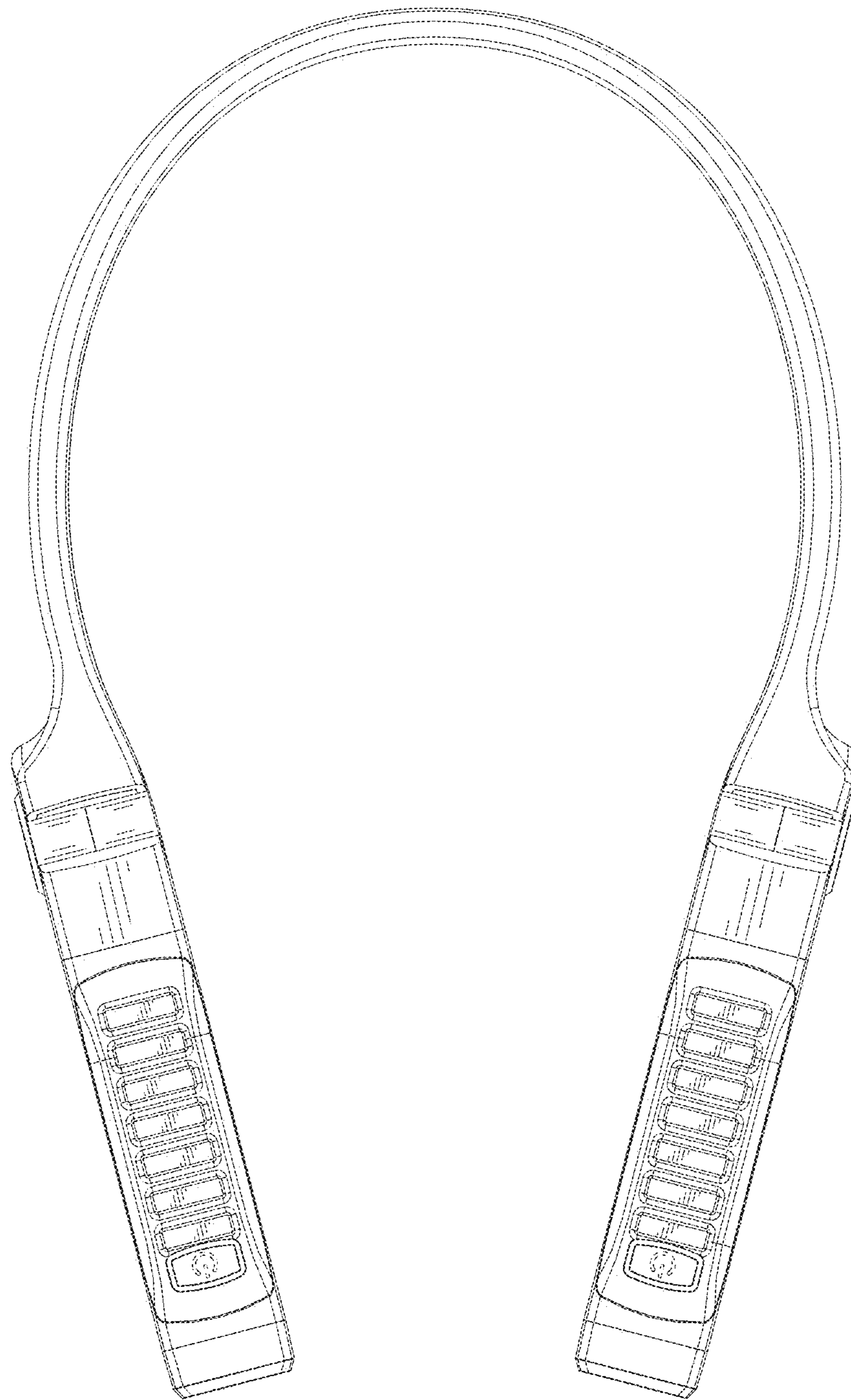


FIG. 2

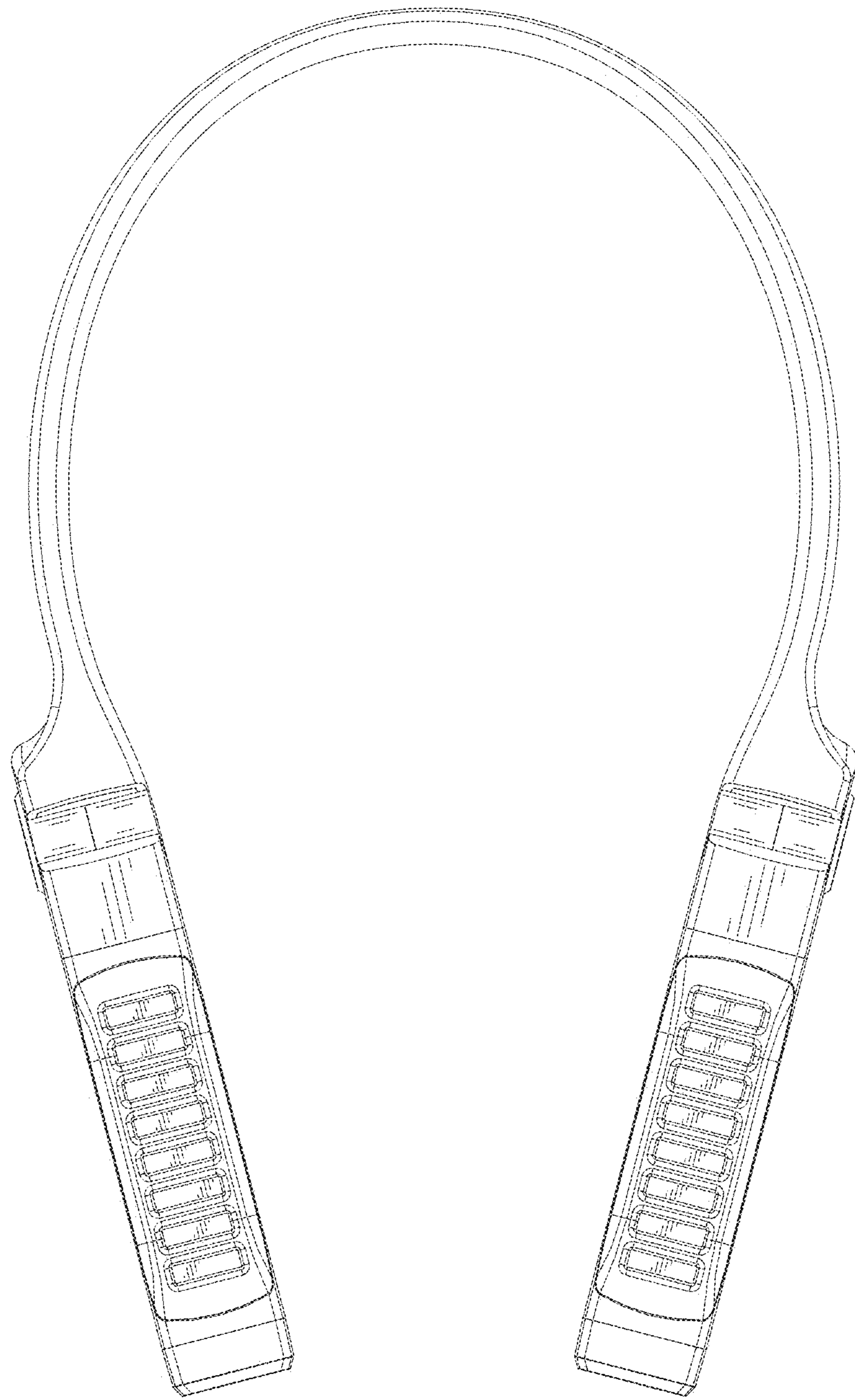


FIG. 3

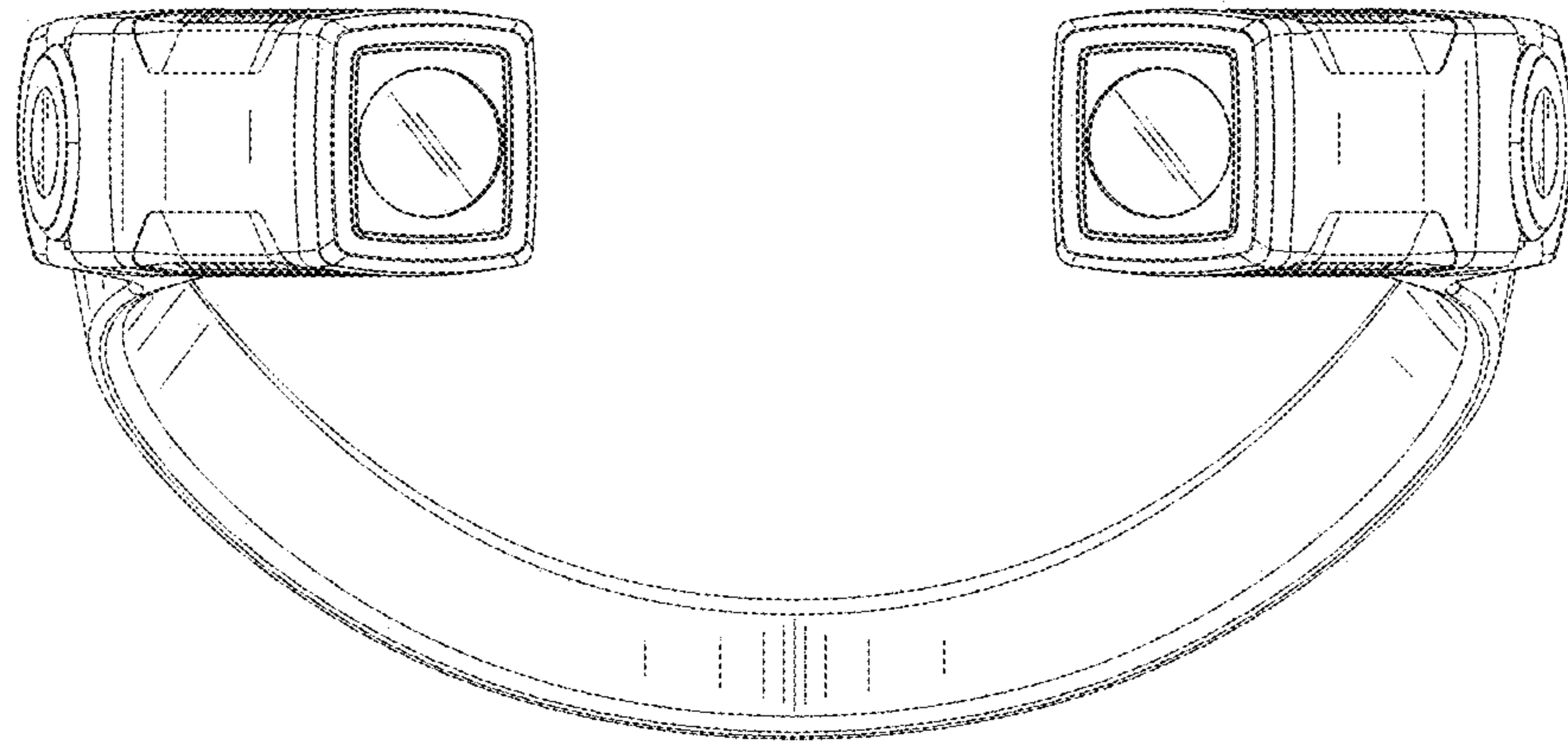


FIG. 4

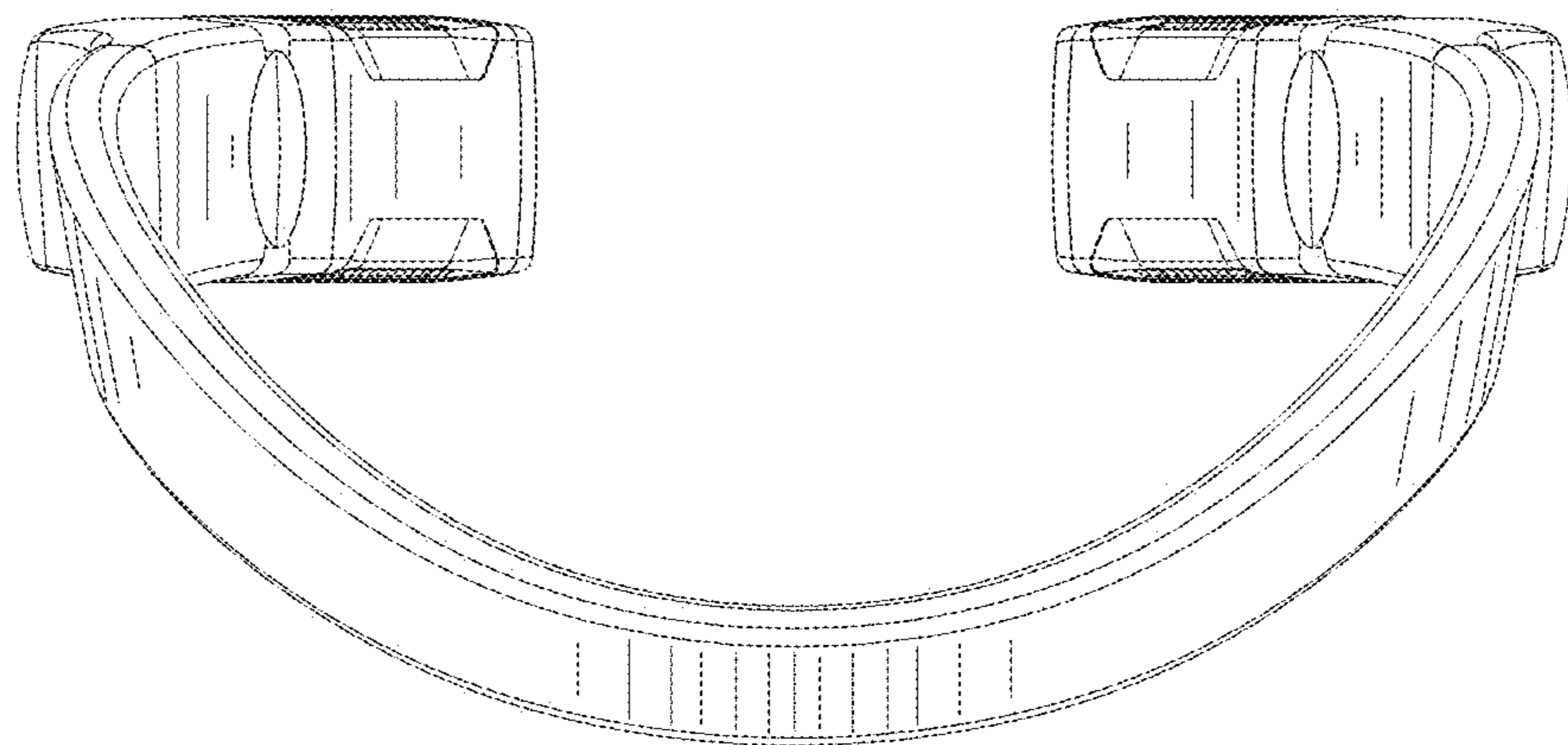


FIG. 5

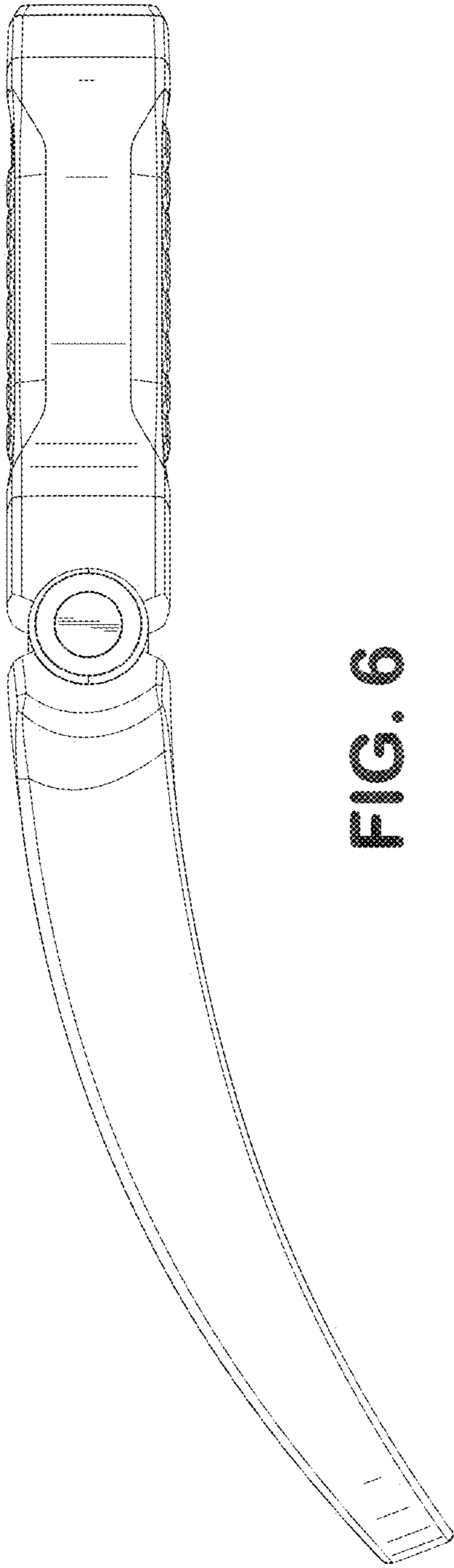


FIG. 6

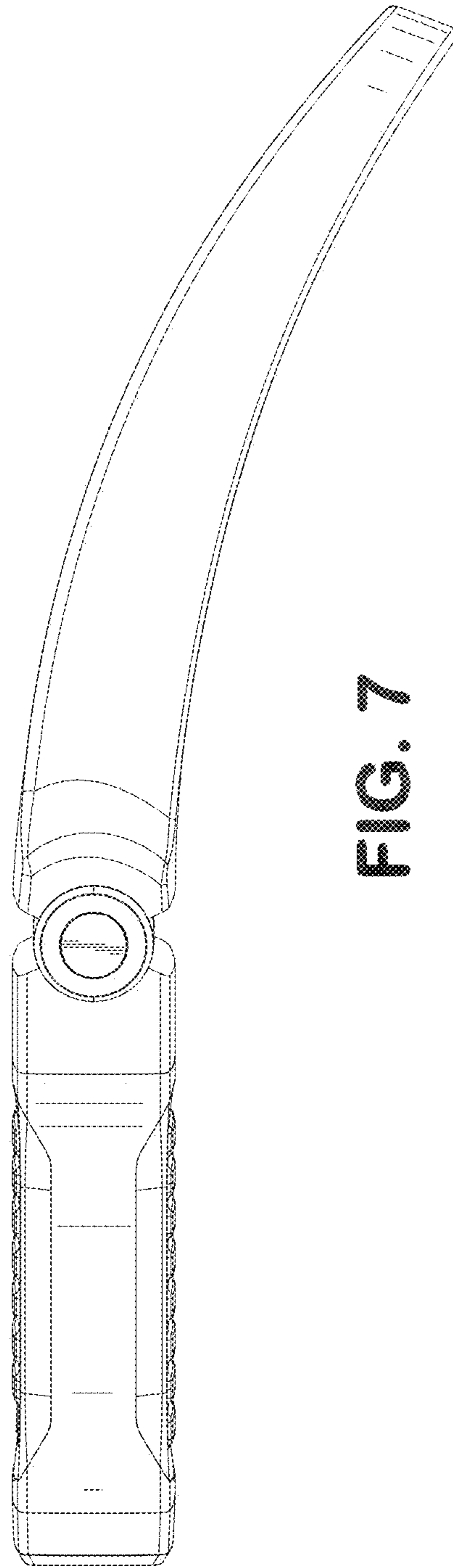


FIG. 7