



US00D871256S

(12) **United States Design Patent**
Liang

(10) **Patent No.:** **US D871,256 S**

(45) **Date of Patent:** **** Dec. 31, 2019**

- (54) **UNMANNED AERIAL VEHICLE**
- (71) Applicant: **Donghan Solar UAV Technology Co., Ltd., Beijing (CN)**
- (72) Inventor: **Shiping Liang, Beijing (CN)**
- (73) Assignee: **Donghan Solar UAV Technology Co., Ltd., Beijing (CN)**
- (**) Term: **15 Years**

- D822,579 S * 7/2018 Lienhard D12/328
- D824,804 S * 8/2018 Tian D12/16.1
- 10,081,436 B1 * 9/2018 Tian B64D 31/00
- D832,154 S * 10/2018 Tian D12/161
- D843,306 S * 3/2019 Tzarnotzky D12/329
- D843,889 S * 3/2019 Merrill D12/16.1
- D843,919 S * 3/2019 Tzarnotzky D12/329
- 10,259,563 B2 * 4/2019 Long B64C 11/02
- D852,092 S * 6/2019 Woodworth D12/16.1
- 10,308,360 B2 * 6/2019 Sopper B65D 5/18
- 10,322,814 B1 * 6/2019 Tian B64D 31/00
- D852,720 S * 7/2019 Zeldin D12/320
- D852,825 S * 7/2019 Selwa D14/485
- 10,340,820 B2 * 7/2019 Woodworth B64C 39/024

(Continued)

(21) Appl. No.: **29/664,791**

(22) Filed: **Sep. 27, 2018**

(30) **Foreign Application Priority Data**

Jul. 25, 2018 (CN) 2018 3 0404187

(51) **LOC (12) Cl.** **12-06**

(52) **U.S. Cl.**
USPC **D12/16.1**

(58) **Field of Classification Search**
USPC D12/1-4, 16.1, 319-345; D21/436-454
CPC B64C 39/024; B64C 13/16; B64C 19/00;
B64C 2201/021; B64C 2201/141; B60H
1/3442

See application file for complete search history.

(56) **References Cited**

U.S. PATENT DOCUMENTS

- D112,834 S * 1/1939 Seversky D12/324
- D342,934 S * 1/1994 Weitemier D12/300
- 5,415,365 A * 5/1995 Ratliff B64C 35/00
114/271
- D571,708 S * 6/2008 Wai D12/319
- D605,576 S * 12/2009 Posva D12/343
- D618,591 S * 6/2010 Nagapetyan D12/3
- D627,404 S * 11/2010 Suzuki D12/319
- D678,169 S * 3/2013 Kennelly D12/319
- D760,638 S * 7/2016 Beskar D12/344
- 9,898,033 B1 * 2/2018 Long G01D 5/145

OTHER PUBLICATIONS

China just flew a 130-foot, solar-powered drone designed to stay in the air . by Jeffrey Lin and P.W. Singer. dated Jun. 6, 2017. found online [Aug. 9, 2019] <https://www.popsci.com/china-solar-powered-drone/>.*

Primary Examiner — Marissa J Cash

(74) *Attorney, Agent, or Firm* — Thomas | Horstemeyer LLP

(57) **CLAIM**

The ornamental design for an unmanned aerial vehicle, as shown and described.

DESCRIPTION

FIG. 1 is a front view of an unmanned aerial vehicle showing the new design;

FIG. 2 is a rear view thereof;

FIG. 3 is a left side view thereof;

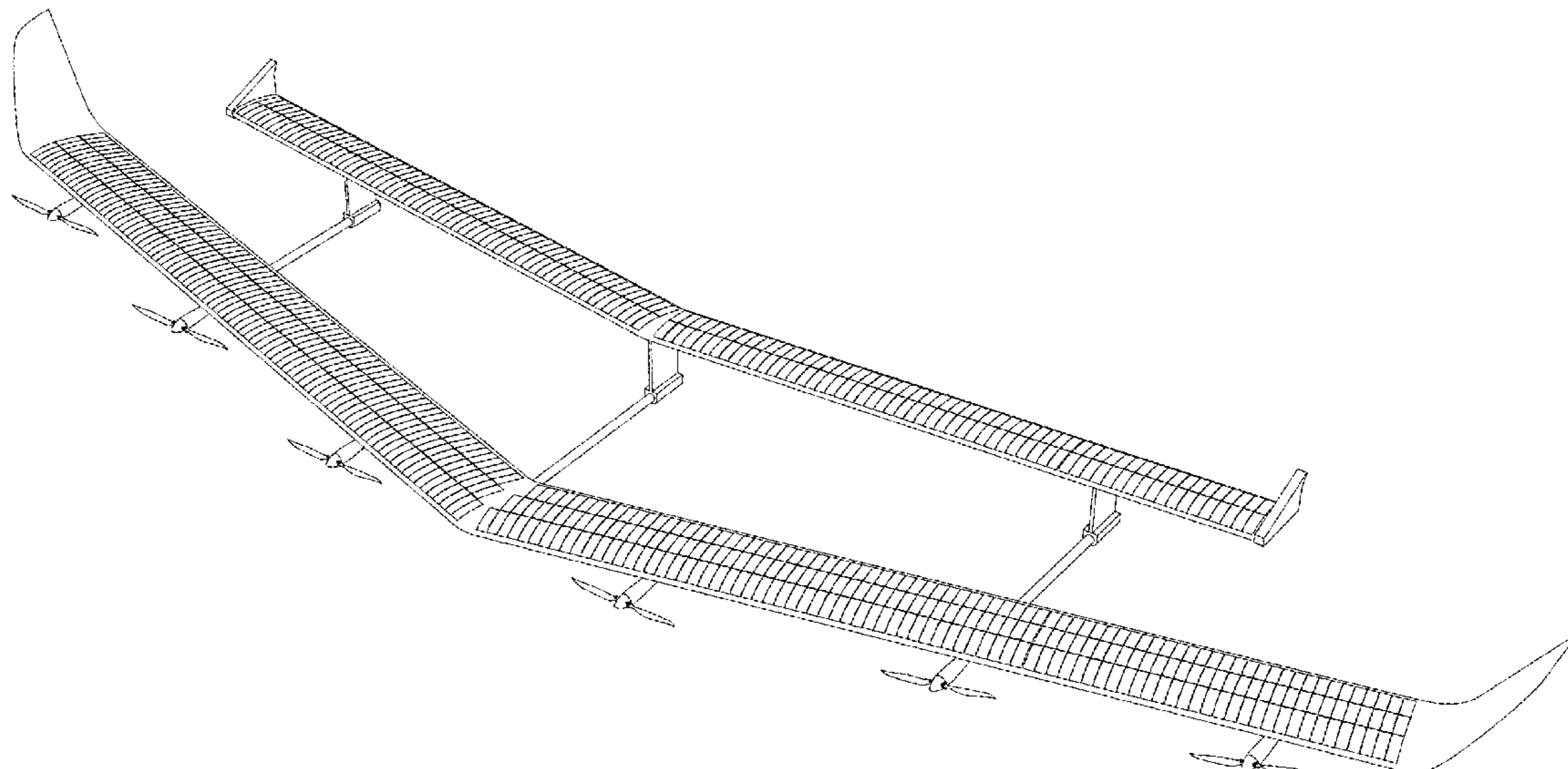
FIG. 4 is a right side view thereof;

FIG. 5 is a top view thereof;

FIG. 6 is a bottom view thereof; and,

FIG. 7 is a perspective view thereof.

1 Claim, 7 Drawing Sheets



(56)

References Cited

U.S. PATENT DOCUMENTS

2014/0158815 A1* 6/2014 Renteria B64C 29/0025
244/12.1
2016/0236774 A1* 8/2016 Niedzballa B64C 27/30
2017/0300067 A1* 10/2017 Douglas B64C 29/0025
2018/0290735 A1* 10/2018 Uptigrove B64D 35/04
2018/0297711 A1* 10/2018 Oldroyd B64D 31/06

* cited by examiner

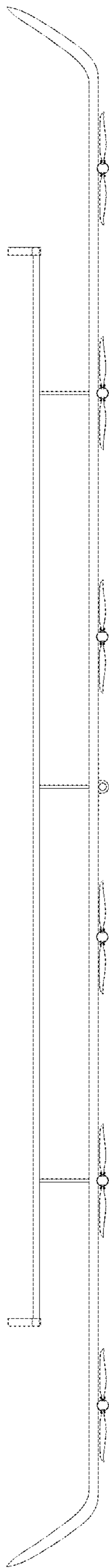


Fig. 1

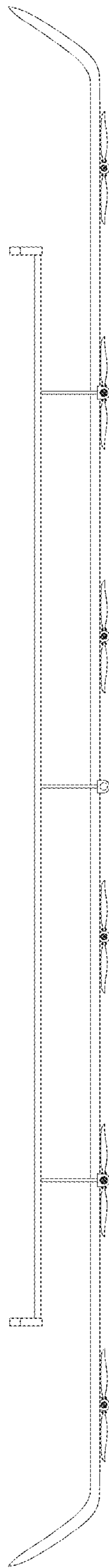


Fig. 2

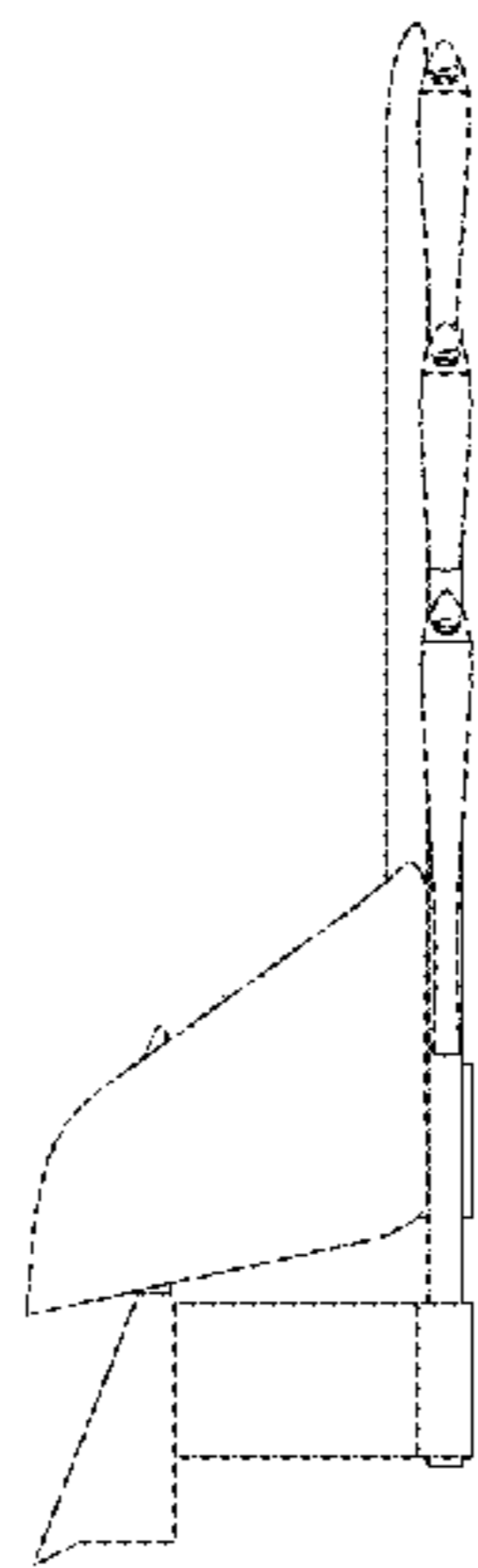


Fig. 3

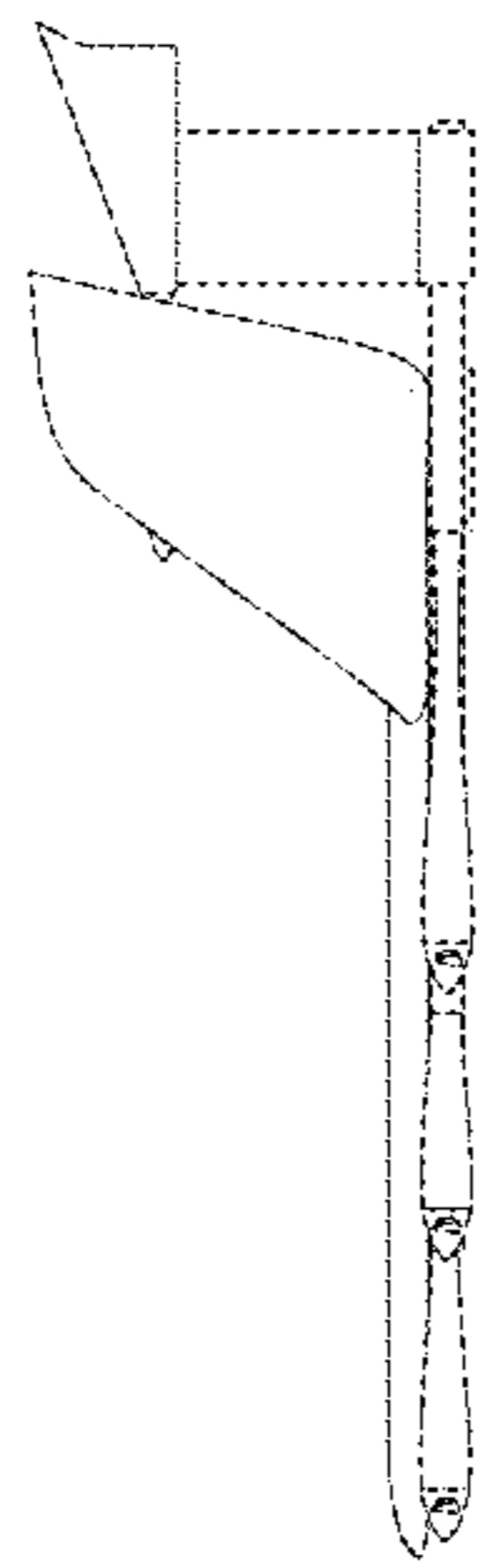


Fig. 4

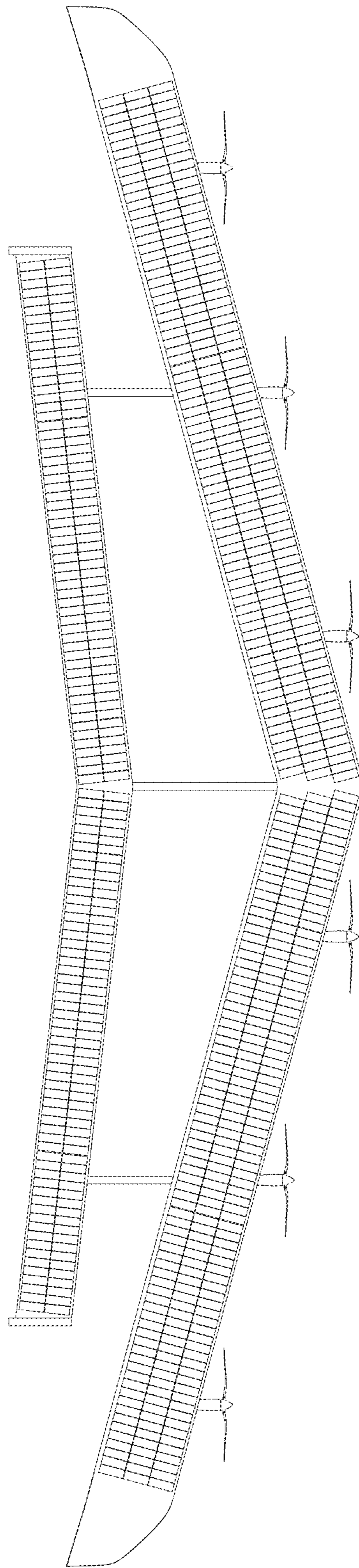


Fig. 5

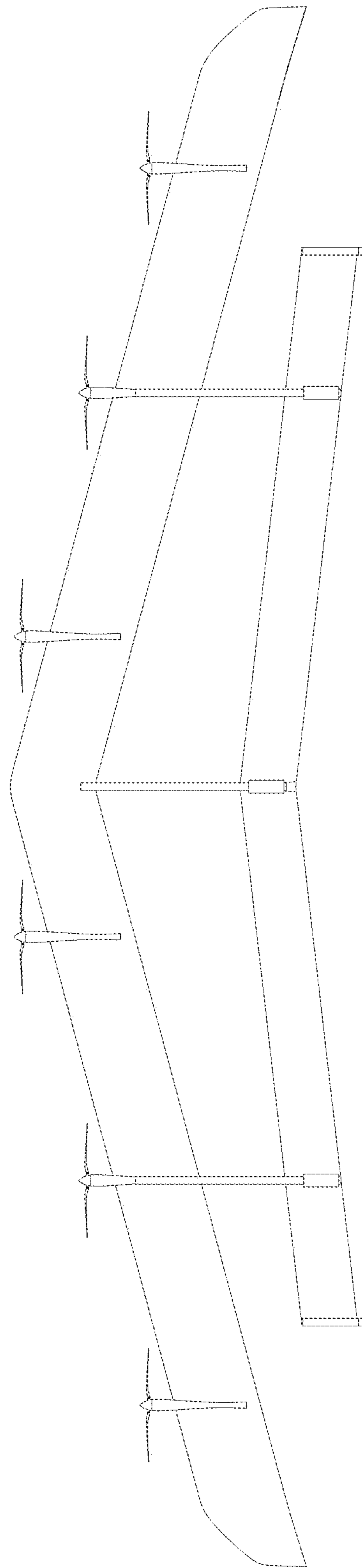


Fig. 6

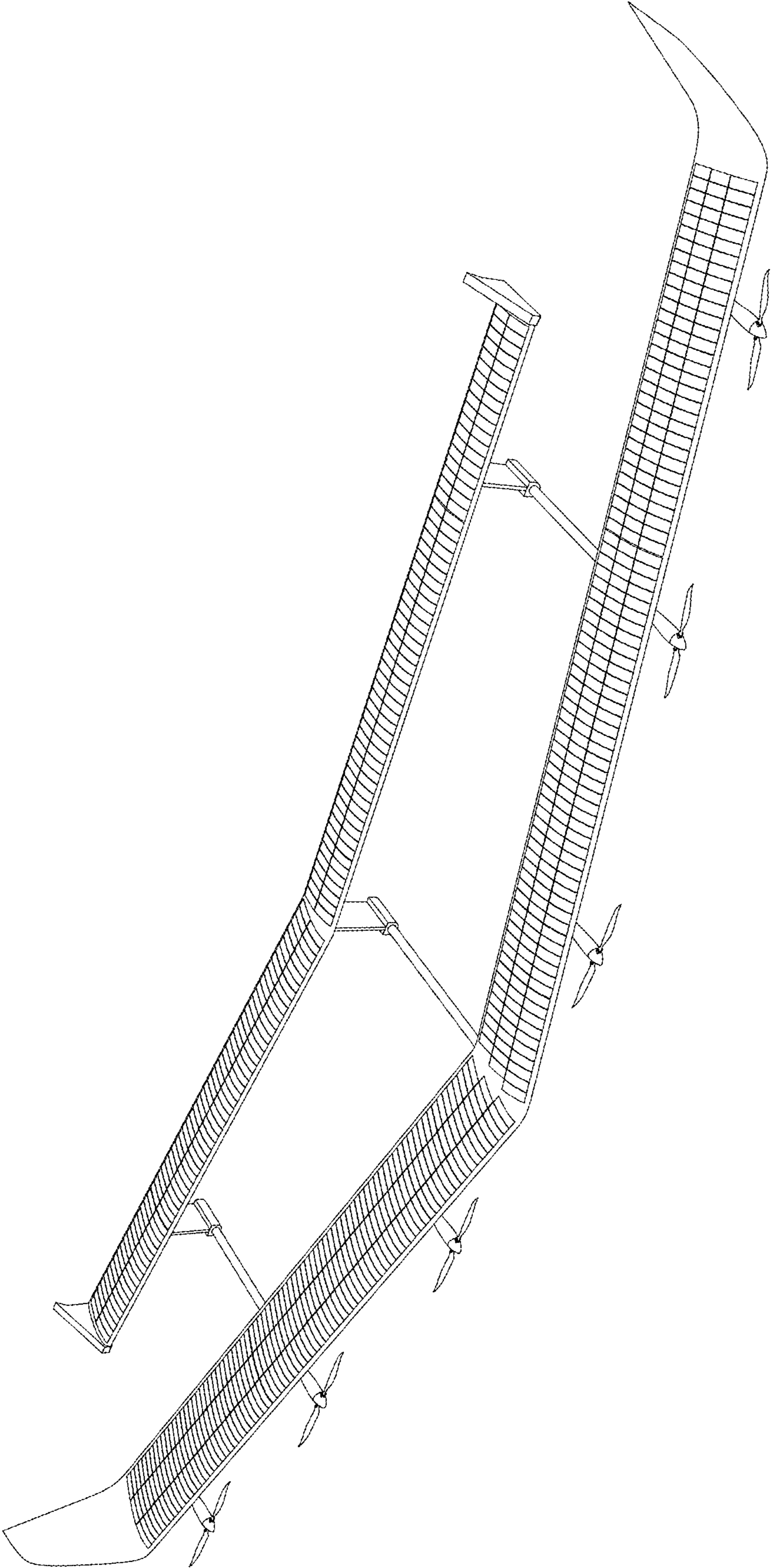


Fig. 7