



US00D871250S

(12) **United States Design Patent** (10) **Patent No.:** **US D871,250 S**
Jimenez et al. (45) **Date of Patent:** **** Dec. 31, 2019**

- (54) **LACROSSE CROSS PENDANT**
- (71) Applicant: **All in Faith Jewelry, LLC**, Austin, TX (US)
- (72) Inventors: **Adam Jimenez**, Waco, TX (US);
Robert Jimenez, Waco, TX (US)
- (73) Assignee: **All In Faith LLC**, Austin, TX (US)
- (**) Term: **15 Years**
- (21) Appl. No.: **29/605,993**
- (22) Filed: **May 31, 2017**
- (51) **LOC (12) Cl.** **11-01**
- (52) **U.S. Cl.**
USPC **D11/96**
- (58) **Field of Classification Search**
USPC D11/7, 14, 40, 43, 48, 79, 81, 99-97,
D11/121, 131, 175, 204, 211; D99/23,
D99/25-27; D5/65; D6/718.18;
D21/724, 753, 757
CPC A47G 33/00; A47G 33/02; A44C 3/00;
A44C 3/001; A44C 23/00; A44C 25/00
See application file for complete search history.

(56) **References Cited**

U.S. PATENT DOCUMENTS

- D38,556 S * 5/1907 Levi D11/99
- D127,447 S * 5/1941 Bradley D11/96
- D189,687 S * 1/1961 McAllister D11/81
- D216,371 S * 12/1969 Winchell D11/81
- D233,362 S * 10/1974 Scott 428/3
- D235,572 S * 6/1975 Guetzlaff D11/81
- D245,239 S * 8/1977 Miller D11/79
- D252,452 S * 7/1979 Fermahin D11/81
- D263,248 S * 3/1982 Brine, Jr. D21/724
- D289,464 S * 4/1987 Reid, III D5/64
- D290,939 S * 7/1987 Lerner D11/75
- D318,819 S * 8/1991 Geyduschek D11/81
- D367,151 S * 2/1996 Bonucci D1/106

- D396,929 S * 8/1998 Vinson D11/96
- D451,428 S * 12/2001 Shearer D11/97
- D500,261 S * 12/2004 Pachachi D11/96
- D536,636 S * 2/2007 Dobbins D11/133
- D539,859 S * 4/2007 Eldridge D21/722
- D629,325 S * 12/2010 Papadimitriou D11/40
- D637,107 S * 5/2011 Baker D11/96

(Continued)

OTHER PUBLICATIONS

All in Faith Lacrosse Cross found online [Oct. 31, 2018]—<https://www.allinfaith.com/products/lacrosse-cross>.*

(Continued)

Primary Examiner — Lakiya G Rogers
Assistant Examiner — John A Voytek
(74) *Attorney, Agent, or Firm* — RM Reed Law PLLC

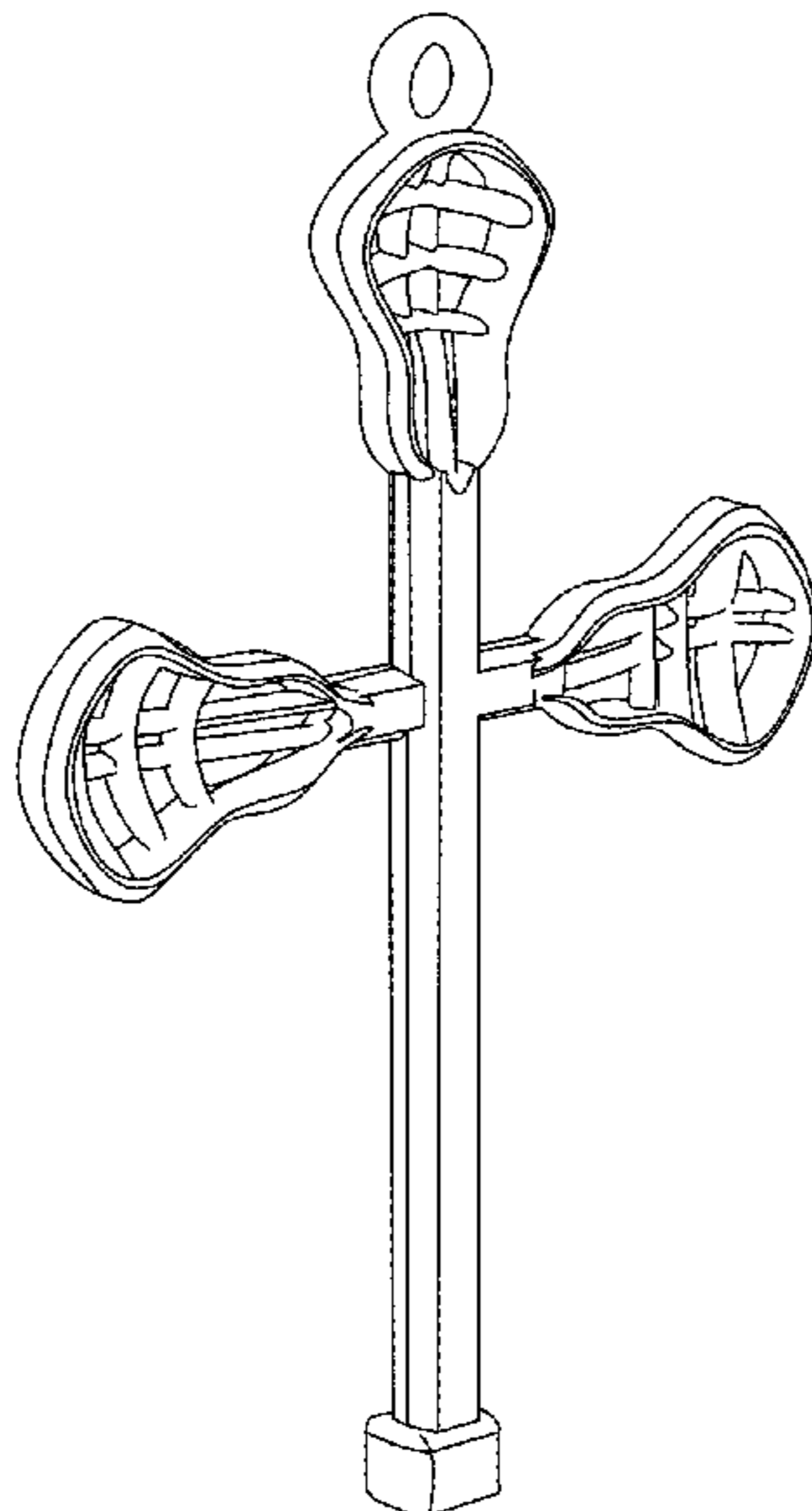
(57) **CLAIM**

The ornamental design for a lacrosse cross pendant, as shown and described.

DESCRIPTION

FIG. 1 is a front view of a lacrosse cross pendant as shown. FIG. 2 is a front perspective view of the lacrosse cross pendant of FIG. 1. FIG. 3 is a rear view of the lacrosse cross pendant of FIG. 1. FIG. 4 is a rear perspective view of the lacrosse cross pendant of FIG. 1. FIG. 5 is a right side view of the lacrosse cross pendant of FIG. 1. FIG. 6 is a left side view of the lacrosse cross pendant of FIG. 1. FIG. 7 is a top view of the lacrosse cross pendant of FIG. 1; and, FIG. 8 is a bottom view of the lacrosse cross pendant of FIG. 1.

1 Claim, 8 Drawing Sheets



(56)

References Cited

U.S. PATENT DOCUMENTS

D665,554 S * 8/2012 Ikezawa D99/27
D748,526 S * 2/2016 Behney D11/81
D786,122 S * 5/2017 Jimenez D11/81
D786,123 S * 5/2017 Jimenez D11/81
D787,976 S * 5/2017 Jimenez D11/81

OTHER PUBLICATIONS

Handcrafted Sterling Silver Lacrosse Cross Pendant found online
[Oct. 31, 2018]—<https://www.amazon.com/Original-Sporting-Faith-Lacrosse-Sterling/dp/B0752XGD2X>.*

* cited by examiner

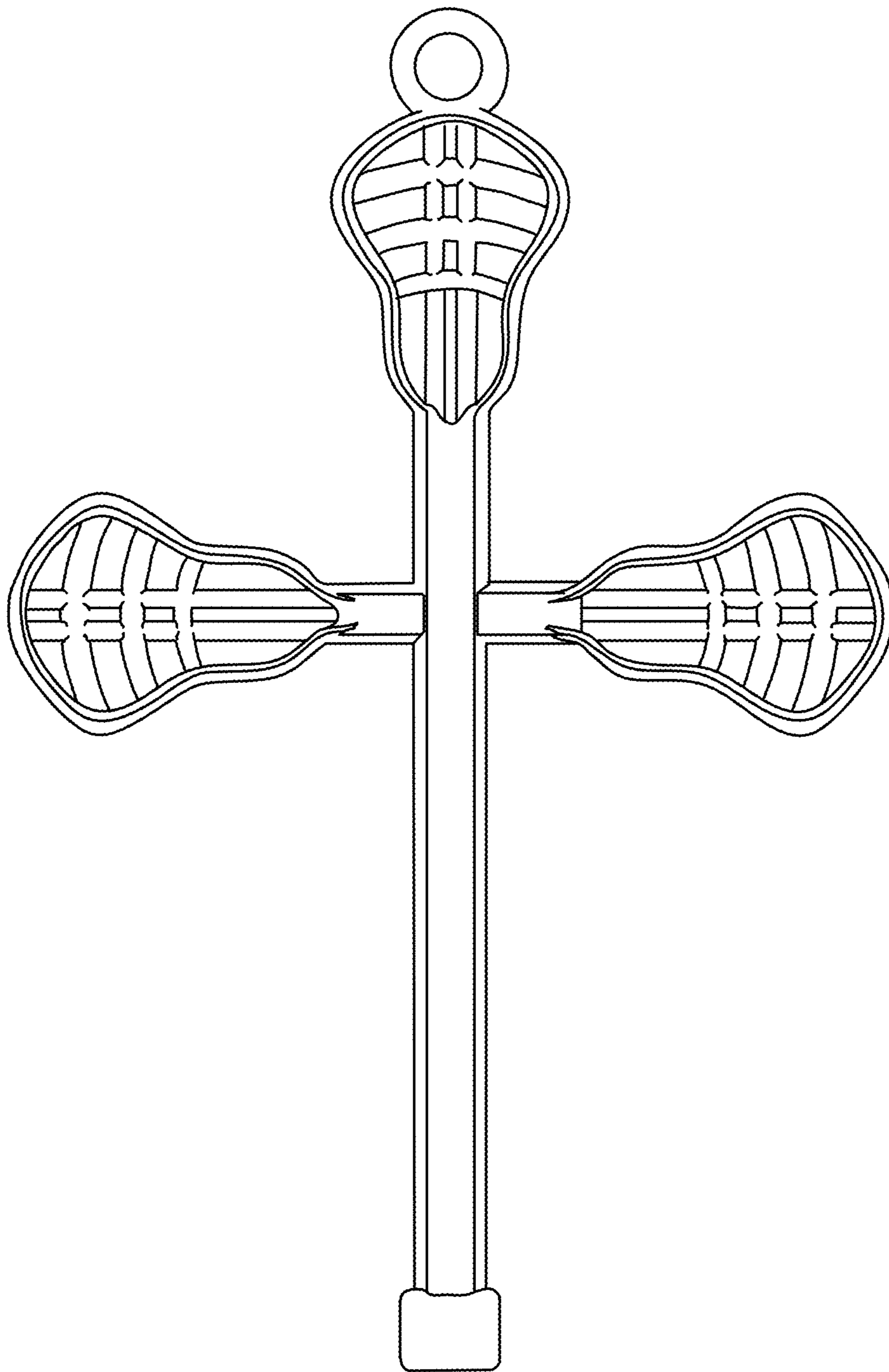


FIG. 1

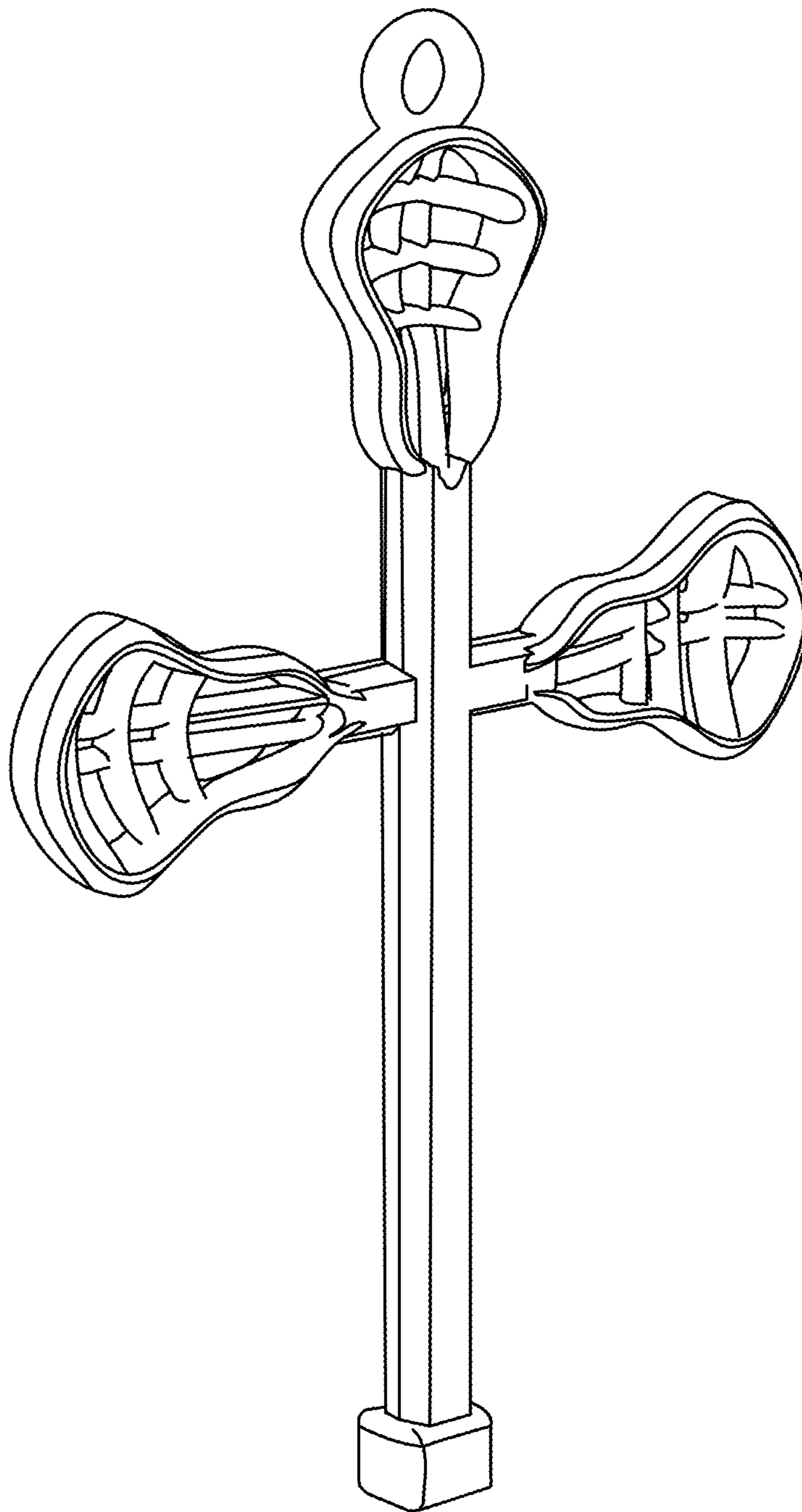


FIG. 2

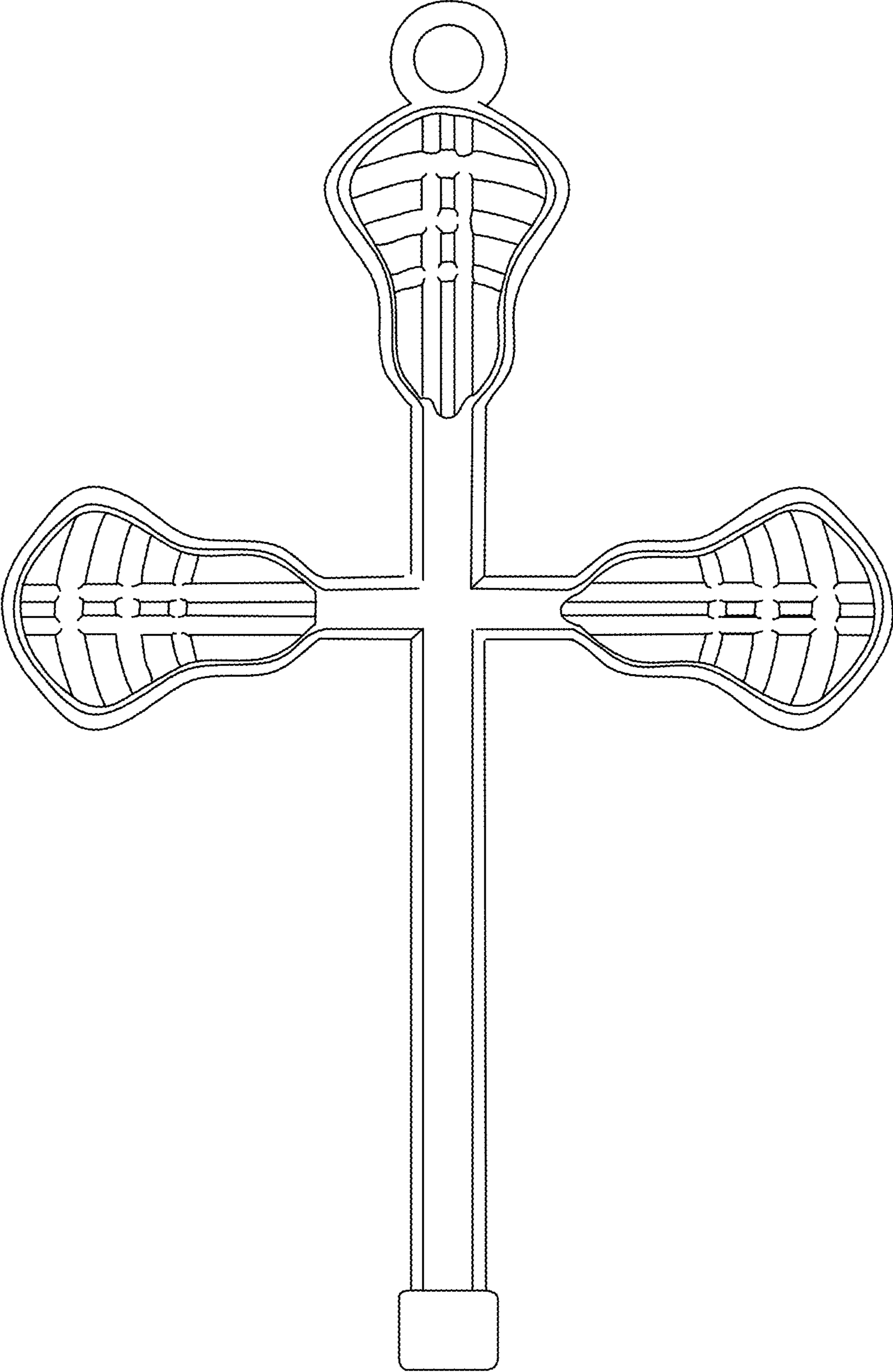


FIG. 3

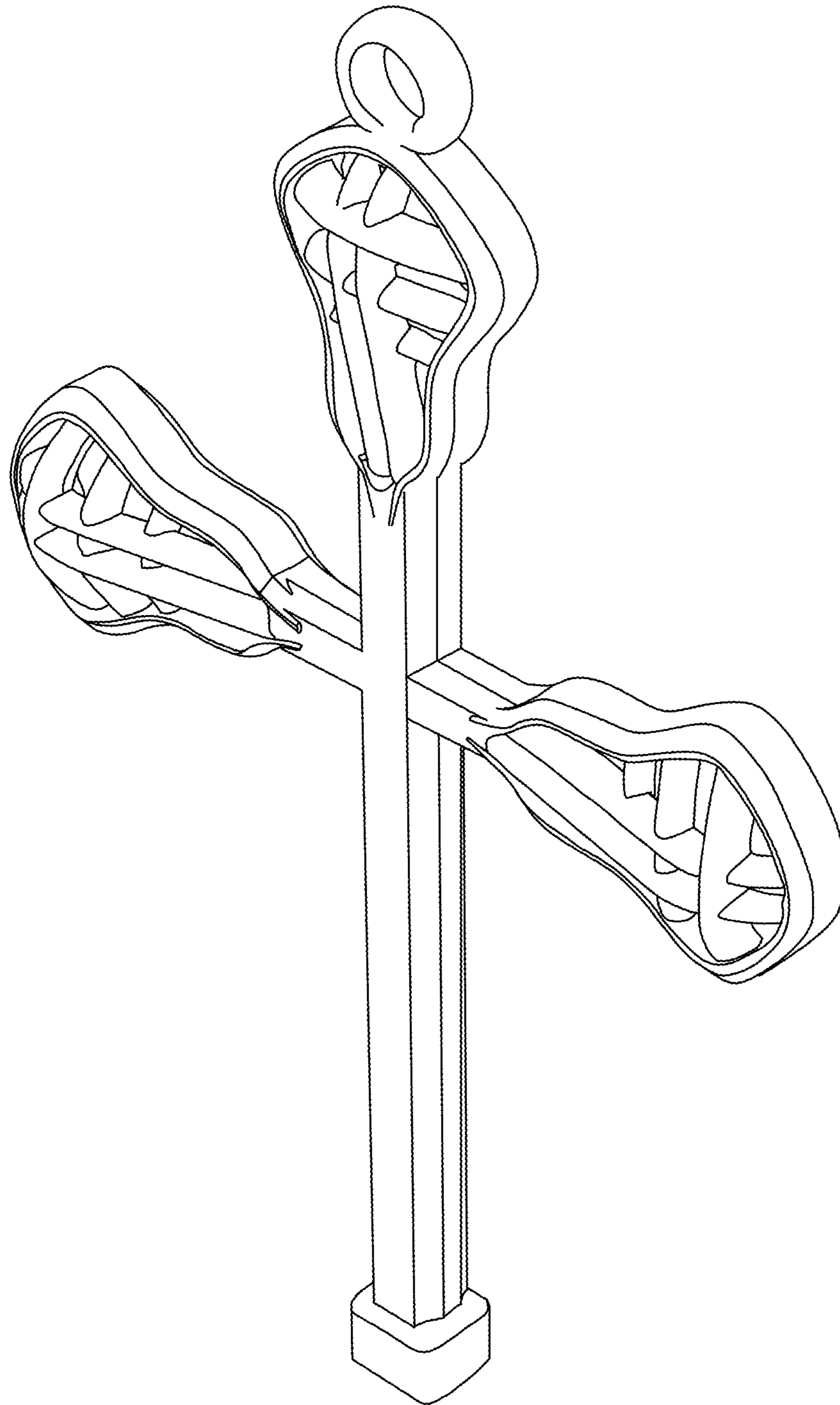


FIG. 4

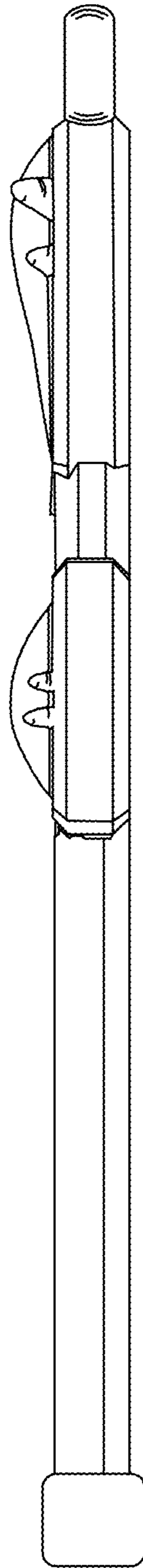


FIG. 5

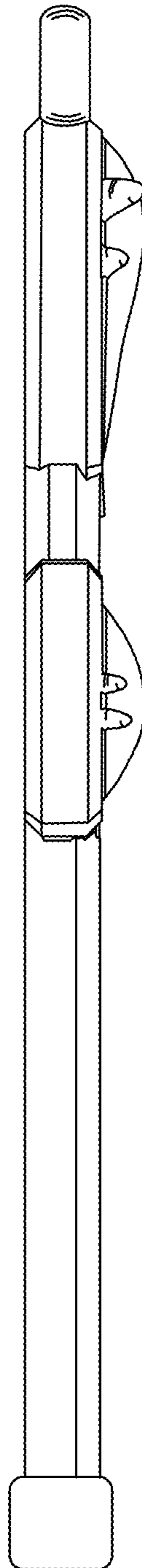


FIG. 6

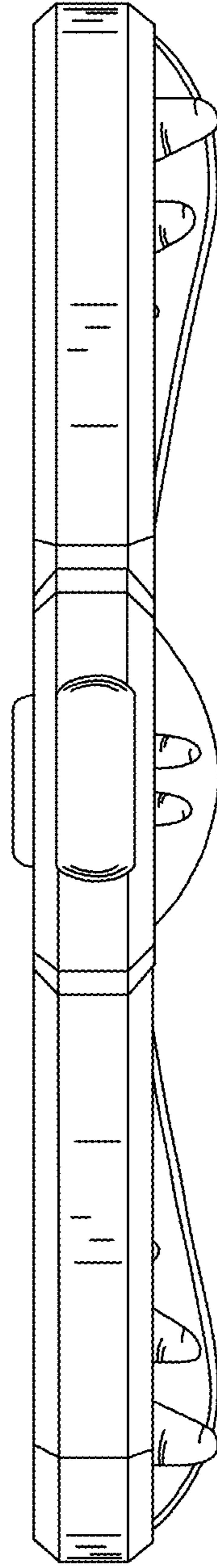


FIG. 7

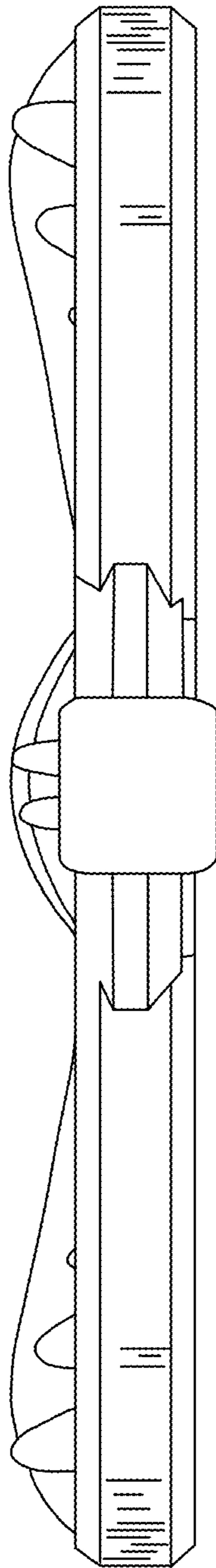


FIG. 8