



US00D871249S

(12) **United States Design Patent** (10) **Patent No.:** **US D871,249 S**
Deng (45) **Date of Patent:** **** Dec. 31, 2019**

(54) **WATCH BUCKLE**

(71) Applicant: **SHENZHEN BAILINNAO TECHNOLOGY CO., LTD.**, Shenzhen (CN)

(72) Inventor: **Jianjie Deng**, Guilin (CN)

(73) Assignee: **SHENZHEN BAILINNAO TECHNOLOGY CO., LTD.**, Shenzhen (CN)

(**) Term: **15 Years**

(21) Appl. No.: **29/702,291**

(22) Filed: **Aug. 19, 2019**

(51) **LOC (12) Cl.** **11-01**

(52) **U.S. Cl.**
USPC **D11/94**

(58) **Field of Classification Search**
USPC D11/94, 201, 231, 230; D10/30-32
CPC A44C 5/00; A44C 5/14; A44C 5/18; A44C 5/147; A44C 5/185; A44B 11/00; A44B 11/10; A44B 11/24; A44B 11/04; A44B 11/06; A44B 11/006
See application file for complete search history.

(56) **References Cited**

U.S. PATENT DOCUMENTS

D246,488 S *	11/1977	Zimmerman	D11/231
D256,402 S *	8/1980	Okura	D10/31
D353,347 S *	12/1994	St. Dizier	D11/94
D470,791 S *	2/2003	Modolo	D11/94
D535,916 S *	1/2007	Mouquet	D11/231
D619,928 S *	7/2010	Bodino	D11/231
D721,986 S *	2/2015	Cerrato	D11/94

OTHER PUBLICATIONS

“Double Push Button Fold Clasp Buckle for Watch Strap Band Deployment Fold Buckle Stainless Steel 12mm, 14mm, 16mm, 18mm,20mm,22mm”, Retrieved Aug. 16, 2019]. Retrieved from Internet, https://www.aliexpress.com/item/32816308132.html?src=bing&albslr=230203031&isdl=y&aff_short_key=UneMJZVf.
“HENGRC Stainless Steel Watch Buckle 18 20 22 24mm Men Watchband Strap Silver Metal Insurance Deployment Clasp Accessories”, Retrieved Aug. 16, 2019]. Retrieved from Internet, https://www.aliexpress.com/item/32776447325.html?spm=a2g0o.productlist.0.0.37e36e156bCq8Z&algo_pvid=9b39715a.
“Shellhard 12-22mm Silver Watch Folding Clasp Stainless Steel Watch Bands Straps Clasp Button Fold Deployment Clasp Strap Buckle”, Retrieved Aug. 16, 2019]. Retrieved from Internet, <https://www.aliexpress.com/item/32945500228.html?spm=a2g0o.detail.1000023.5.6d59678au0D6Ke>.

* cited by examiner

Primary Examiner — Zenia I Bennett

(74) *Attorney, Agent, or Firm* — Tony Hom, Esq.

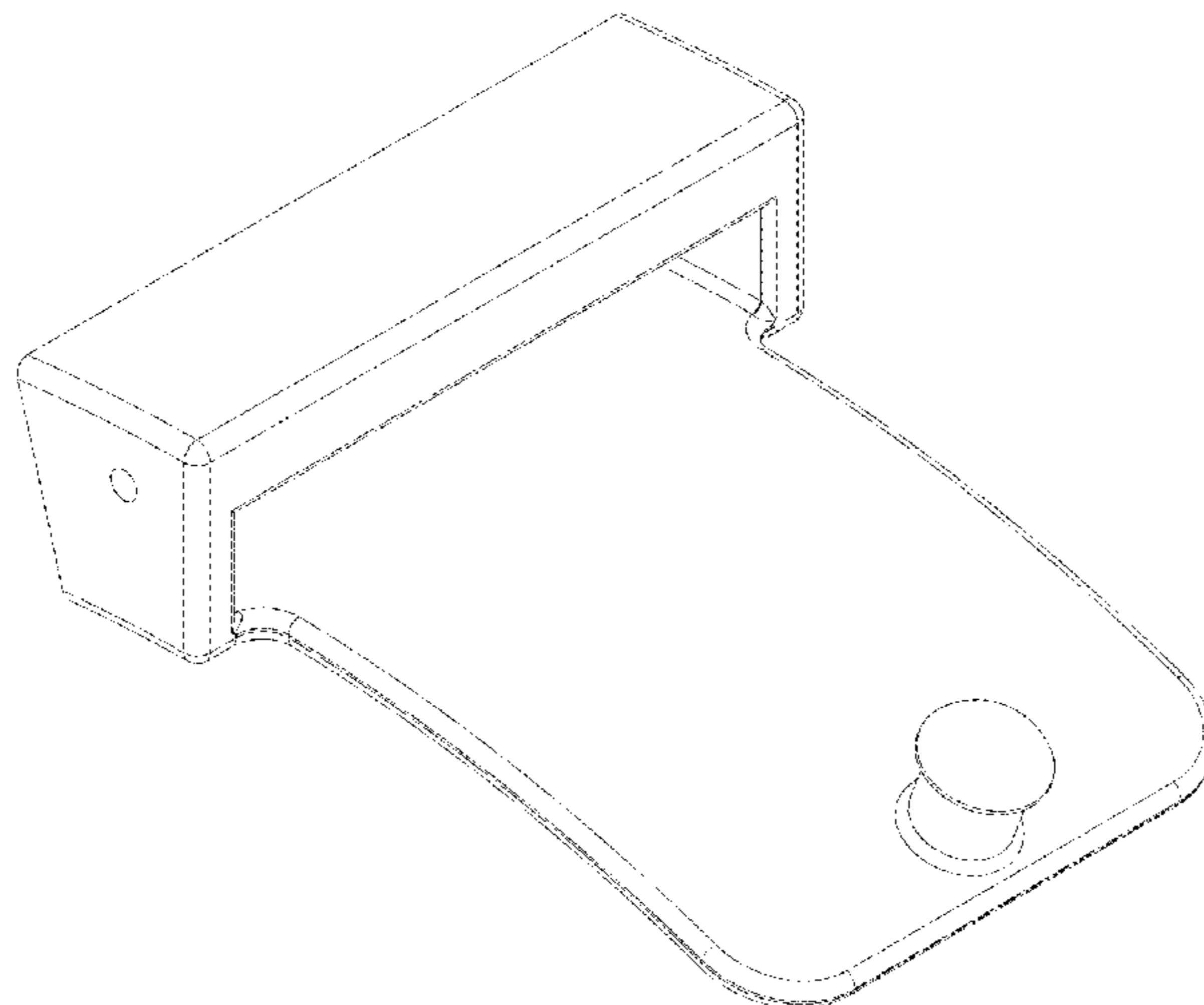
(57) **CLAIM**

The ornamental design for watch buckle, as shown and described.

DESCRIPTION

FIG. 1 is a stereogram view thereof;
FIG. 2 is a front elevational view thereof;
FIG. 3 is a left side elevational view thereof;
FIG. 4 is a right side elevational view thereof;
FIG. 5 is a bottom plan view thereof;
FIG. 6 is a top plan view thereof;
FIG. 7 is a side view thereof; and,
FIG. 8 is a rendering view thereof.

1 Claim, 8 Drawing Sheets



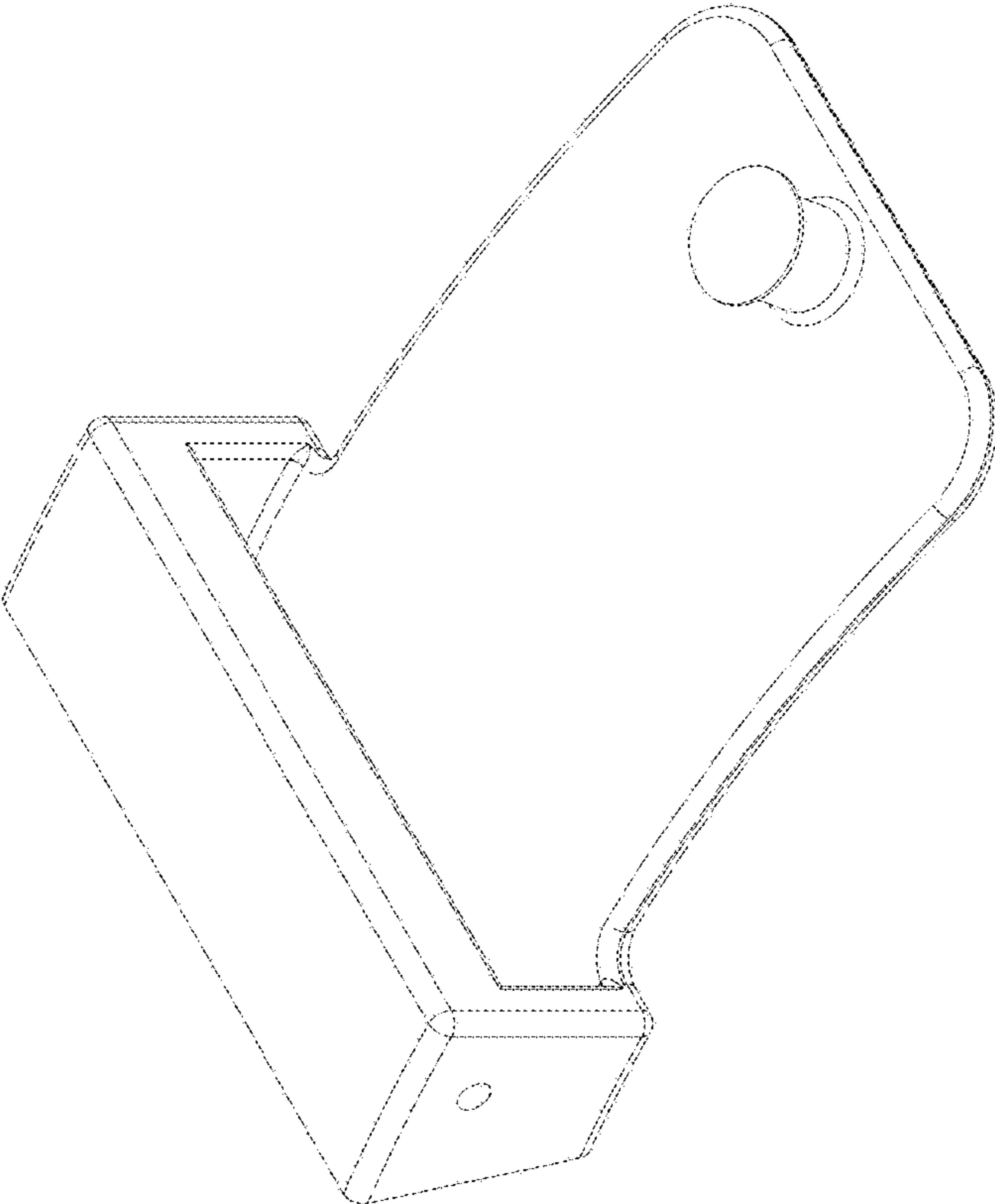


FIG. 1

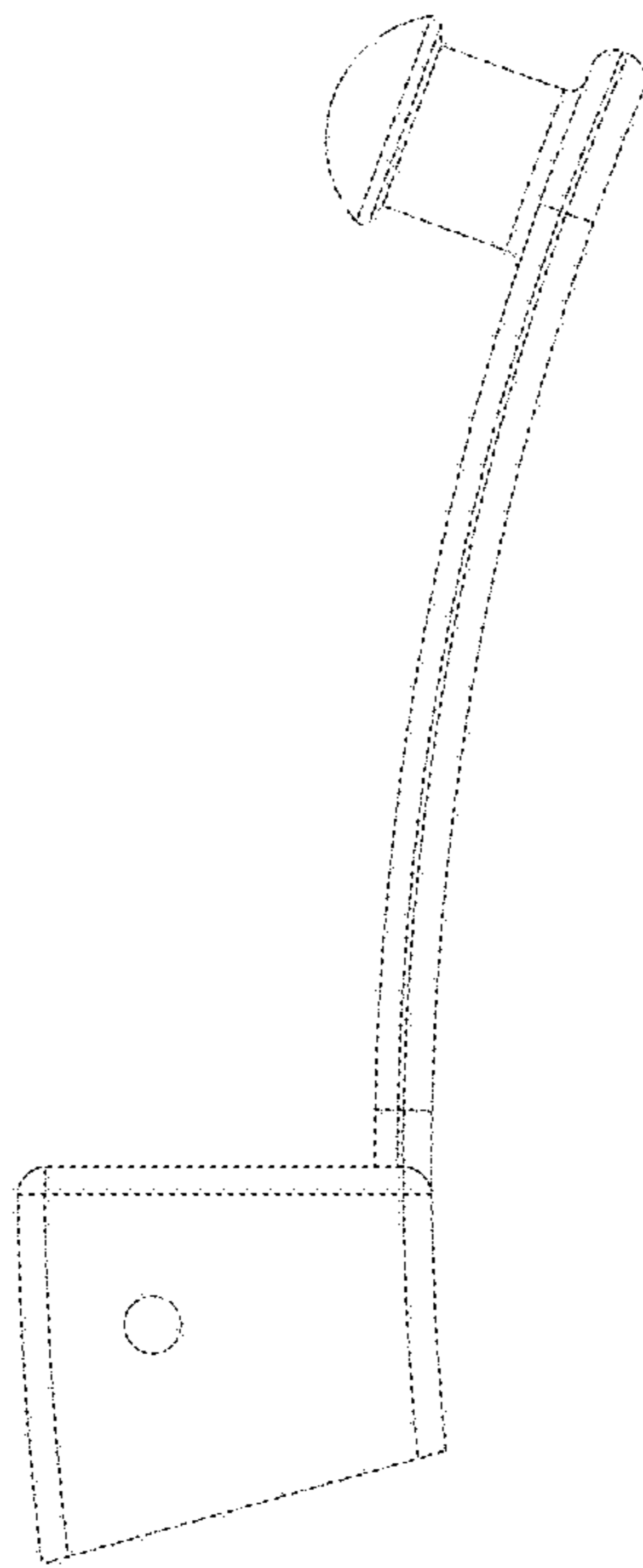


FIG. 2

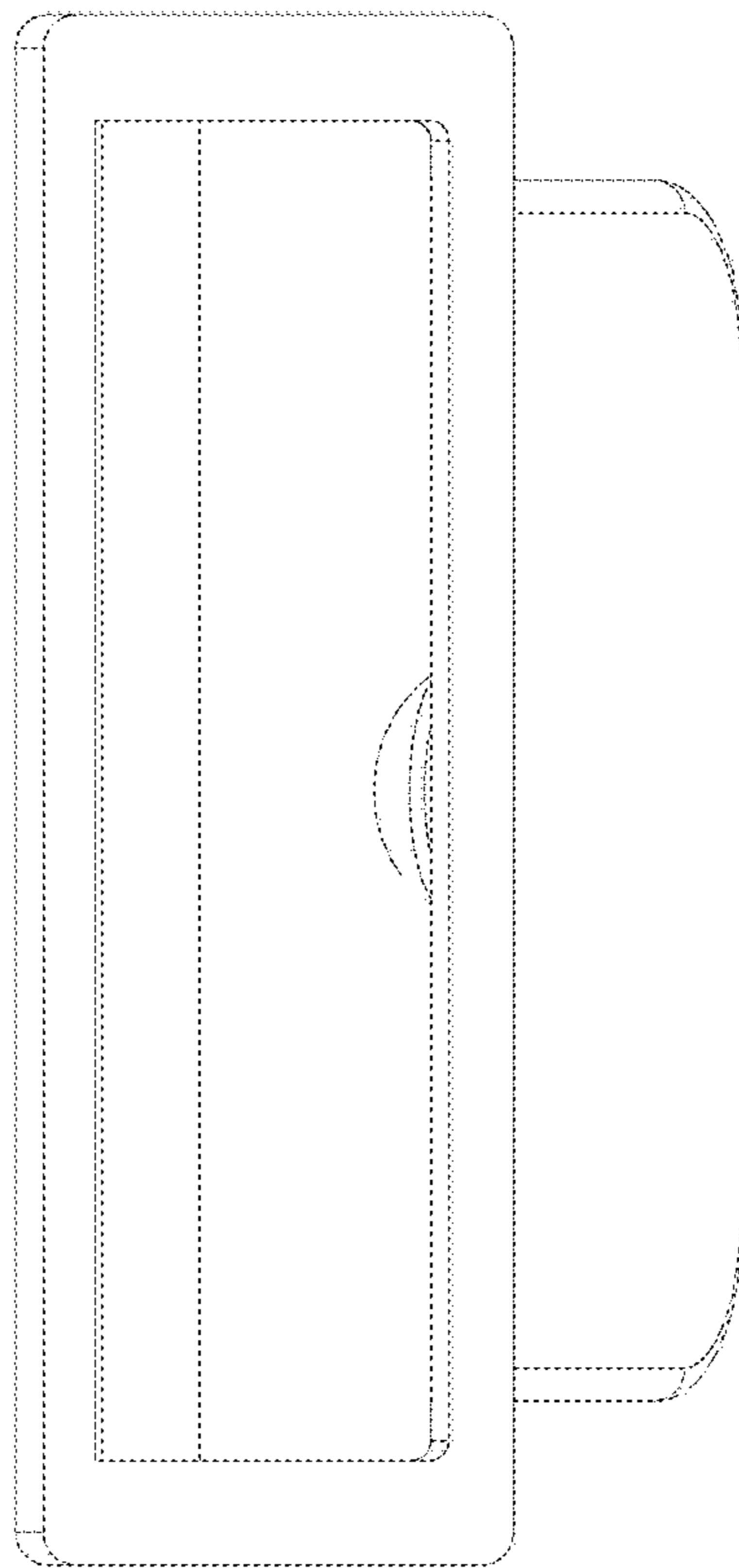


FIG. 3

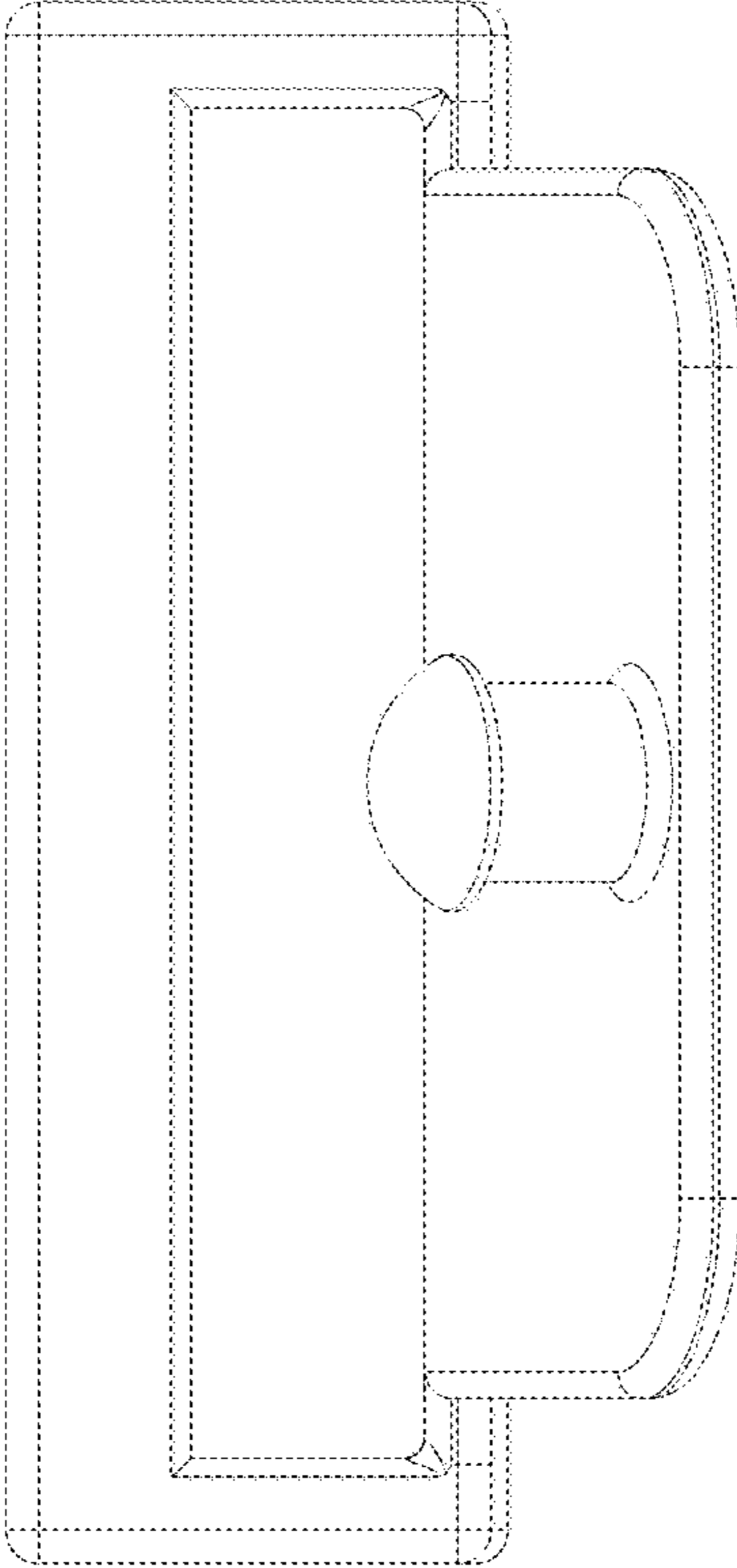


FIG. 4

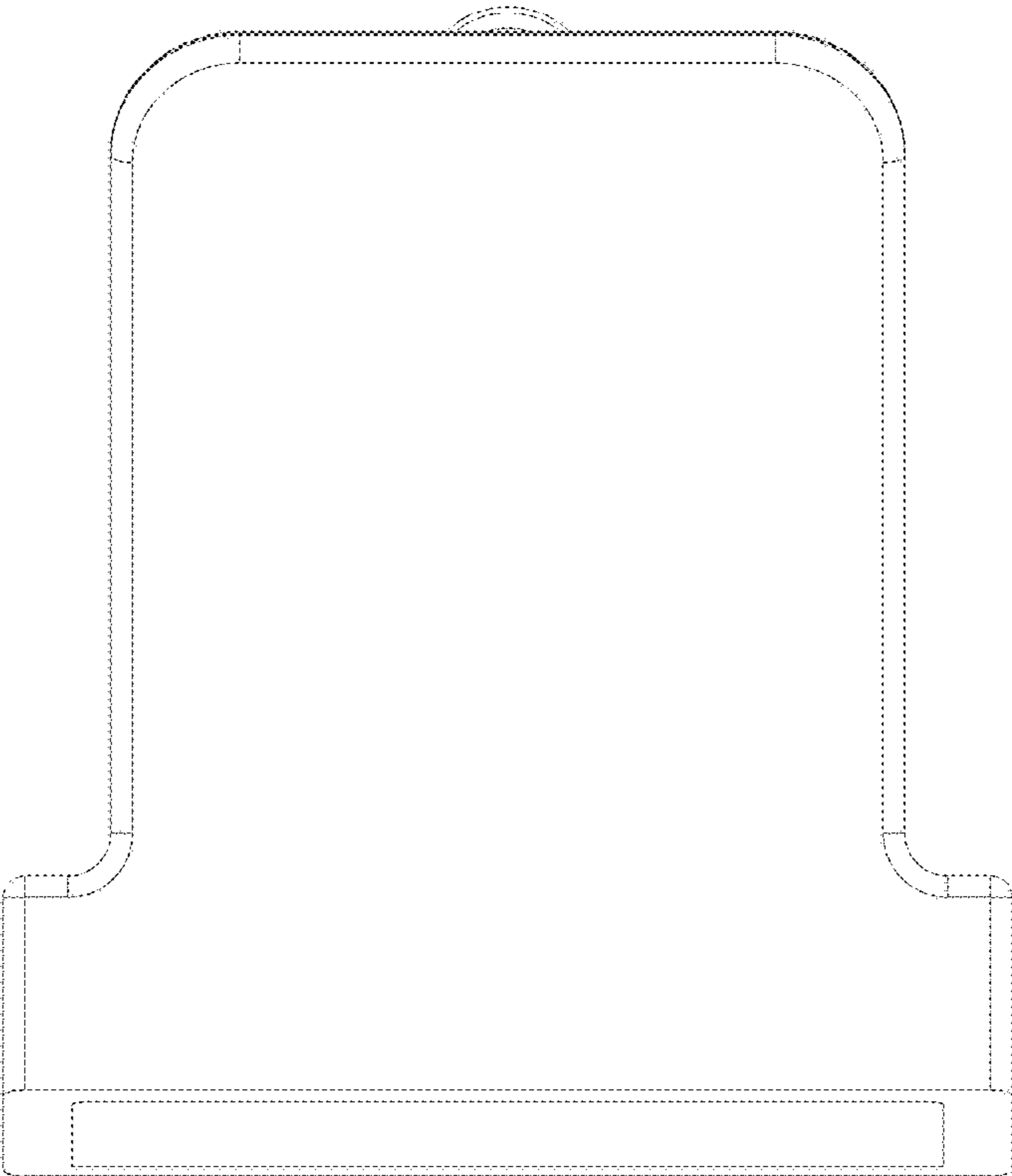


FIG. 5

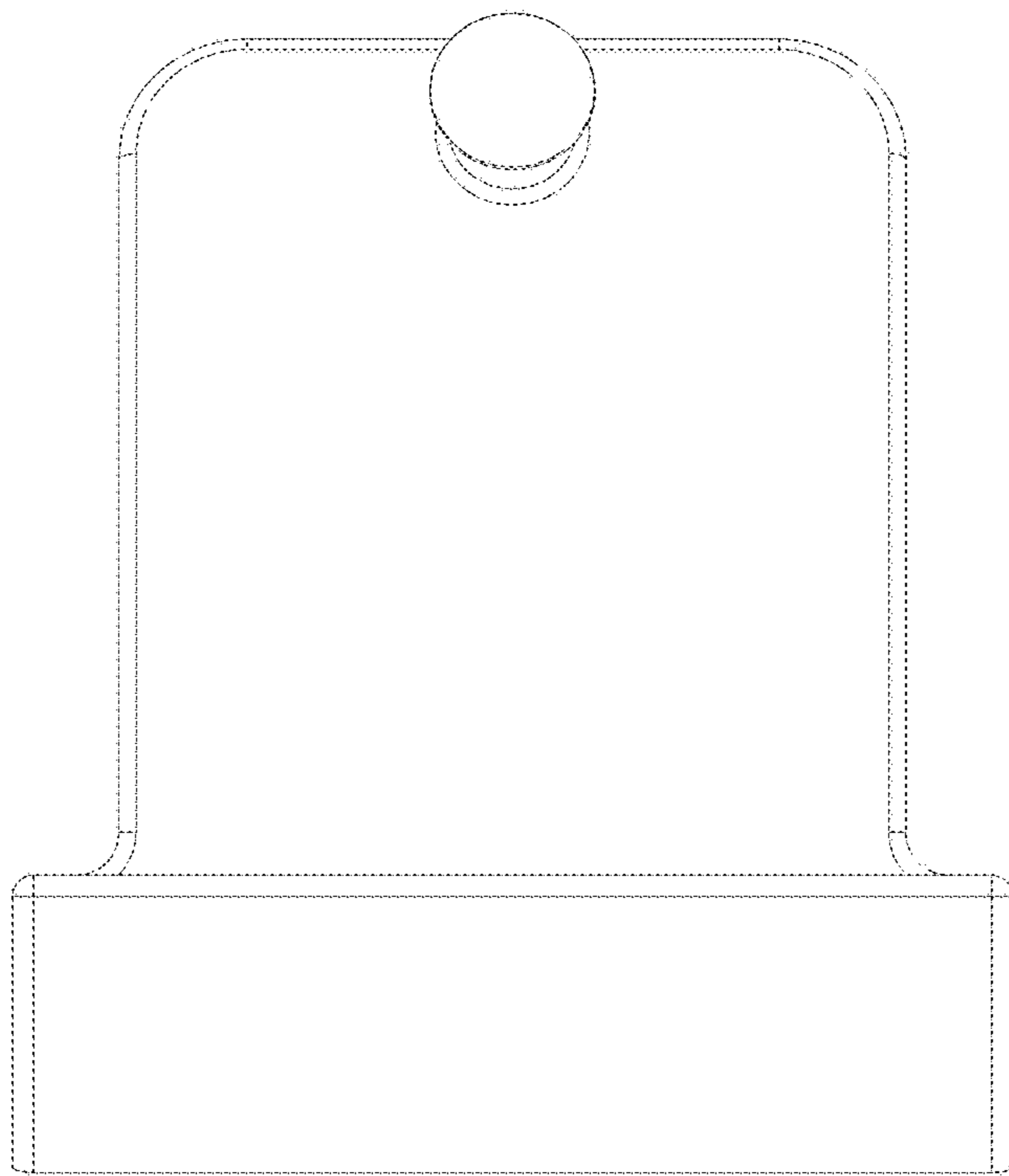


FIG. 6

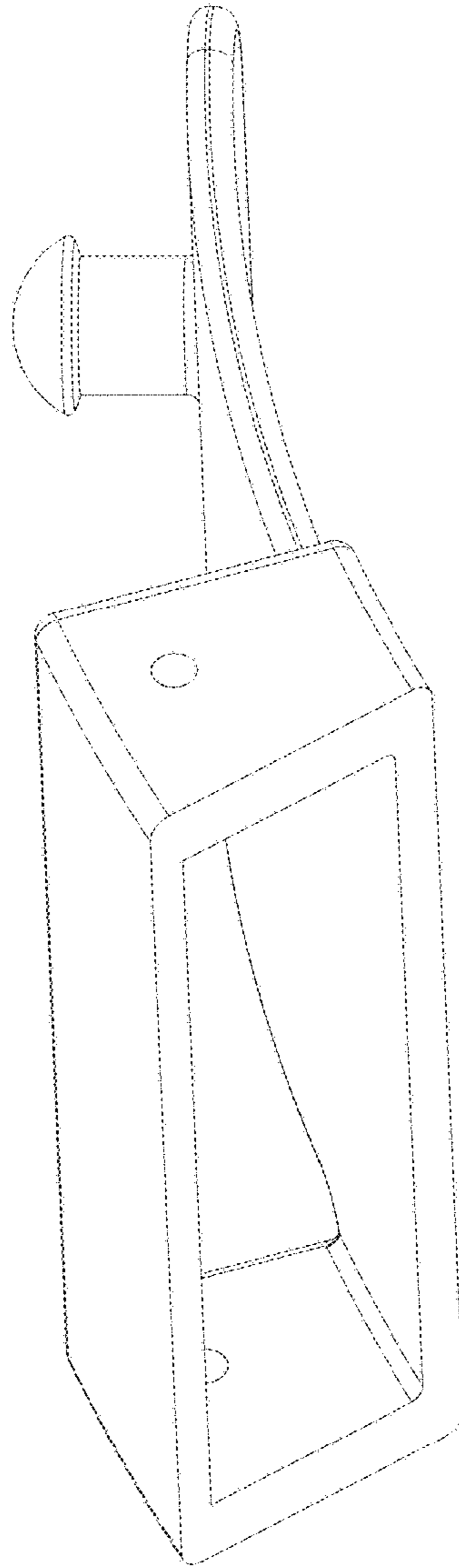


FIG. 7

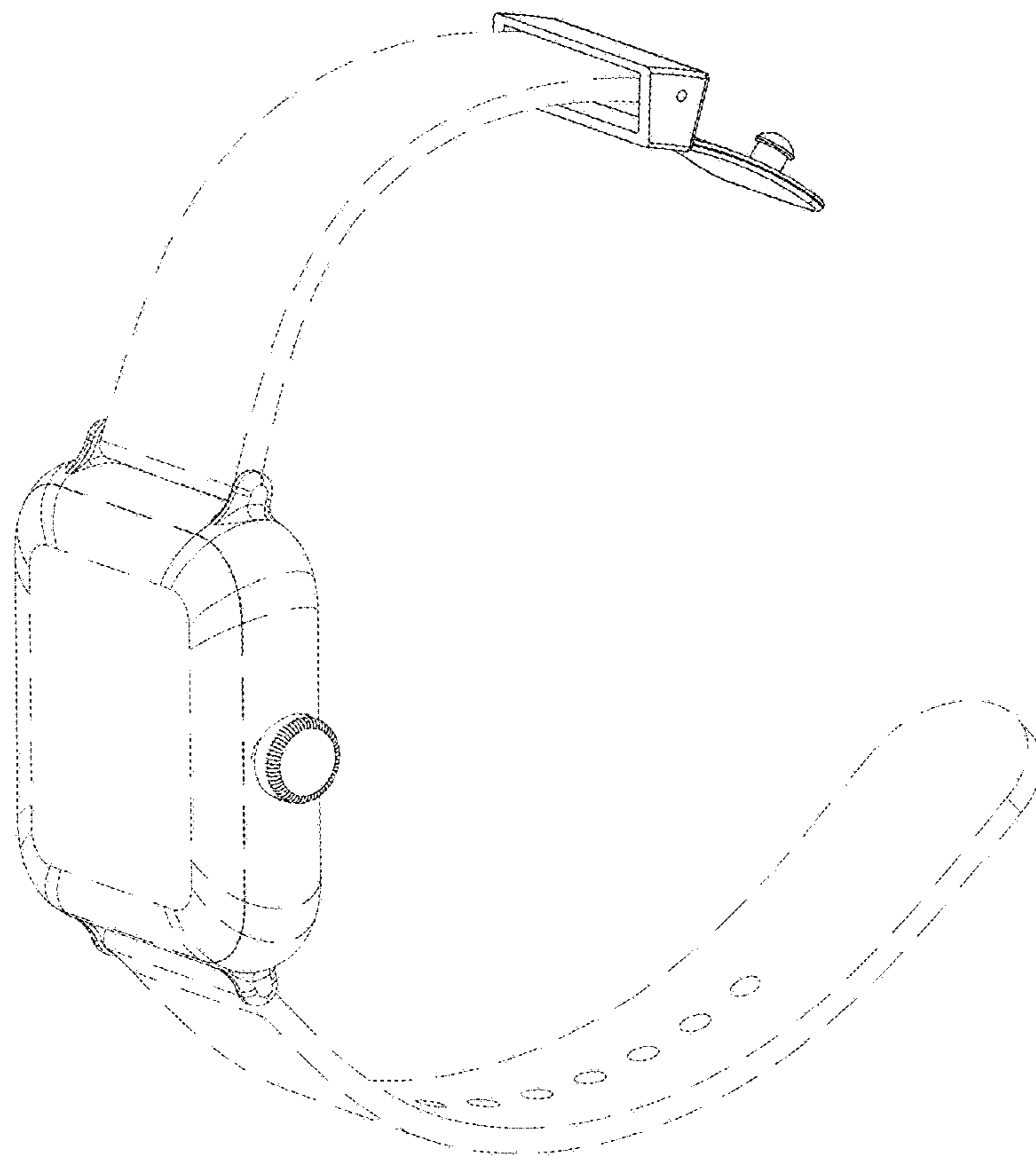


FIG. 8