



US00D871248S

(12) **United States Design Patent** (10) **Patent No.:** **US D871,248 S**
Boccanfuso (45) **Date of Patent:** **** Dec. 31, 2019**

(54) **DECORATIVE CHARM**
(71) Applicant: **Ronald Boccanfuso**, Coventry, RI (US)
(72) Inventor: **Ronald Boccanfuso**, Coventry, RI (US)
(73) Assignee: **Ouellette Industries**, Attleboro Falls, MA (US)

(**) Term: **15 Years**

(21) Appl. No.: **29/610,955**

(22) Filed: **Jul. 18, 2017**

(51) **LOC (12) Cl.** **11-01**

(52) **U.S. Cl.**
USPC **D11/79; D11/2**

(58) **Field of Classification Search**
USPC D11/1-7, 16, 40-45, 47-50, 52-54,
D11/56-58, 61, 63, 75-86; D3/207-211
CPC A44C 1/00; A44C 5/00; A44C 5/0007;
A44C 5/02; A44C 7/00; A44C 7/002;
A44C 7/003; A44C 7/004; A44C 7/005;
A44C 7/006; A44C 7/007; A44C 7/008;
A44C 7/009; A44C 15/00; A44C 25/00;
A44C 25/001; A44C 25/002; A44C
25/007

See application file for complete search history.

(56) **References Cited**

U.S. PATENT DOCUMENTS

D11,441 S * 9/1879 Fairchild D11/82
D160,974 S * 11/1950 Schraysshuen D11/79
3,533,883 A * 10/1970 Rowley B29C 37/0025
156/188
D250,939 S * 1/1979 Barr D11/79
D266,747 S * 11/1982 Gilford D11/2
4,497,186 A * 2/1985 Mason A44C 7/00
D11/78
D281,369 S * 11/1985 Harris D99/34
D304,433 S * 11/1989 McConnell, Jr. D11/78
D308,951 S * 7/1990 Rinck D11/79
D367,625 S * 3/1996 Goldman D11/65

D386,401 S * 11/1997 Prestia D9/552
D386,441 S * 11/1997 Morrison D11/79
D409,482 S * 5/1999 Jacobs D9/601
D505,640 S * 5/2005 Star D11/131
D516,454 S * 3/2006 Gimpel D11/79
D530,210 S * 10/2006 Chisholm D9/538

(Continued)

OTHER PUBLICATIONS

Amazon.com "EternityMemory: Clear Glass Tube Cremation Urn Jewelry Ashes Holder Necklace Keepsake Memorial Pendant Including Box/Fill Kits" (online) first available Nov. 13, 2017. Retrieved from Internet Jun. 9, 2019, URL:https://www.amazon.com/Cremation-Necklace-Keepsake-Memorial-Including/dp/B07J9HNGXT (6 pages).*

Primary Examiner — Michael A. Pratt

Assistant Examiner — Wendy L Arminio

(74) *Attorney, Agent, or Firm* — Salter & Michaelson

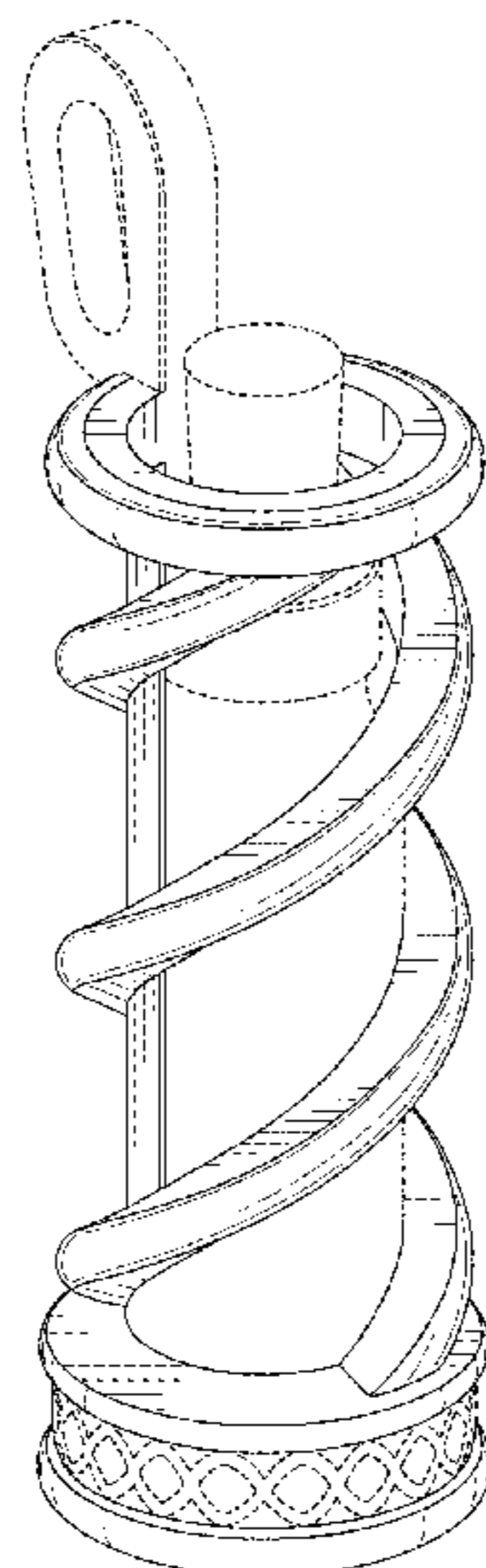
(57) **CLAIM**

The ornamental design for a decorative charm, as shown and described.

DESCRIPTION

FIG. 1 is a perspective view of a decorative charm shown in a position of use with an unclaimed container drawn in broken lines inserted into the decorative charm;
FIG. 2 is a perspective view thereof shown with the unclaimed container removed;
FIG. 3 is a rear elevational view thereof;
FIG. 4 is a front elevational view thereof;
FIG. 5 is a left side elevational view thereof;
FIG. 6 is a right side elevational view thereof;
FIG. 7 is a top plan view thereof; and,
FIG. 8 is a bottom plan view thereof.
The broken lines illustrating a container in FIG. 1 depict environmental structure and form no part of the claimed design. All other broken lines depict portions of the decorative charm that form no part of the claimed design.

1 Claim, 7 Drawing Sheets



(56)

References Cited

U.S. PATENT DOCUMENTS

D629,328 S * 12/2010 Calandrino D11/43
D661,621 S * 6/2012 Yang D11/221
D705,499 S * 5/2014 Zamarripa D30/124
D761,150 S * 7/2016 Penna D11/79

* cited by examiner

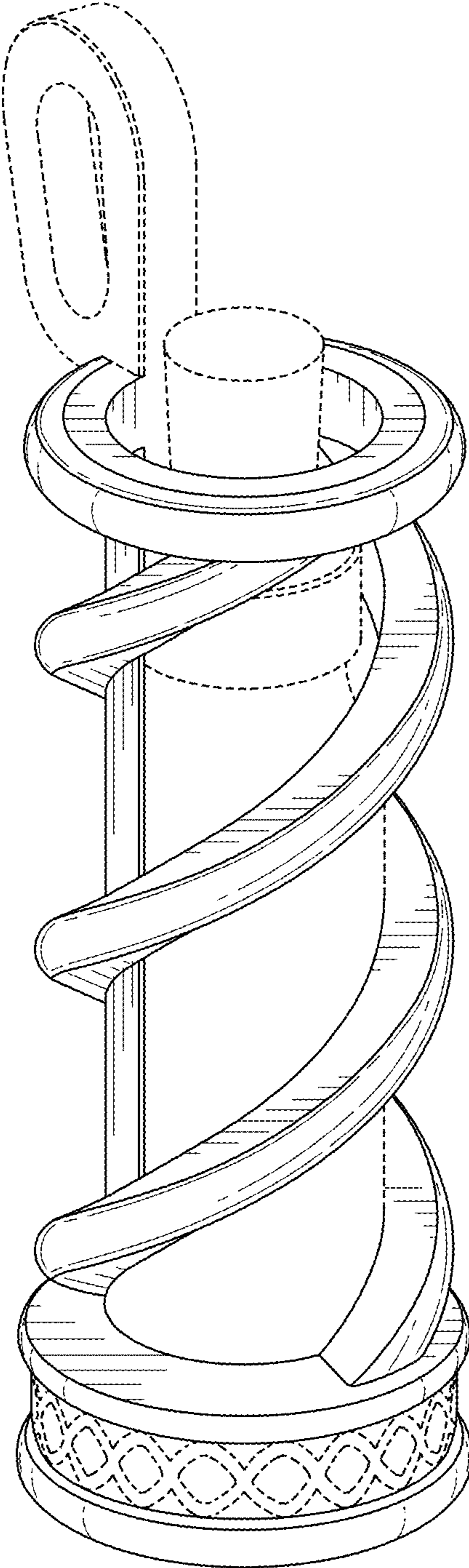


FIG. 1

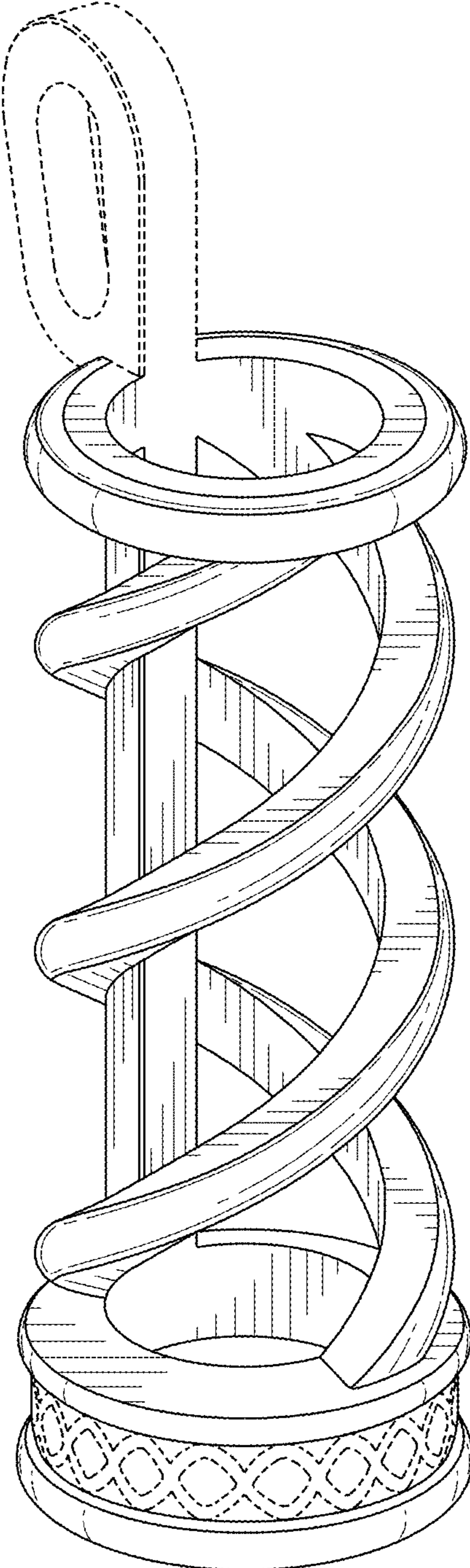


FIG. 2

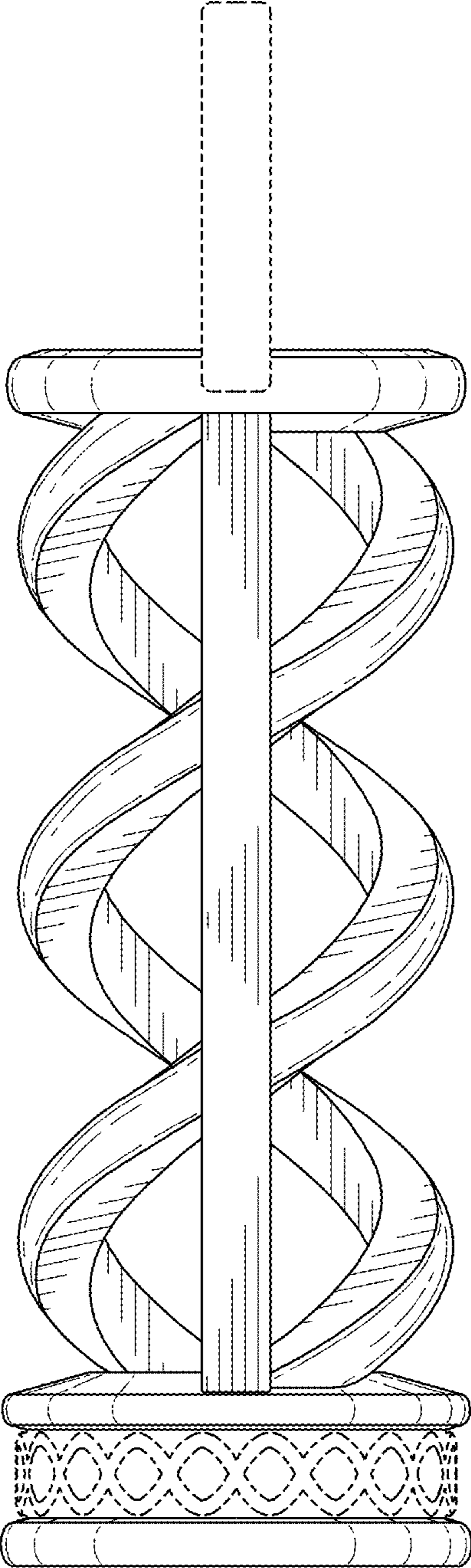


FIG. 3

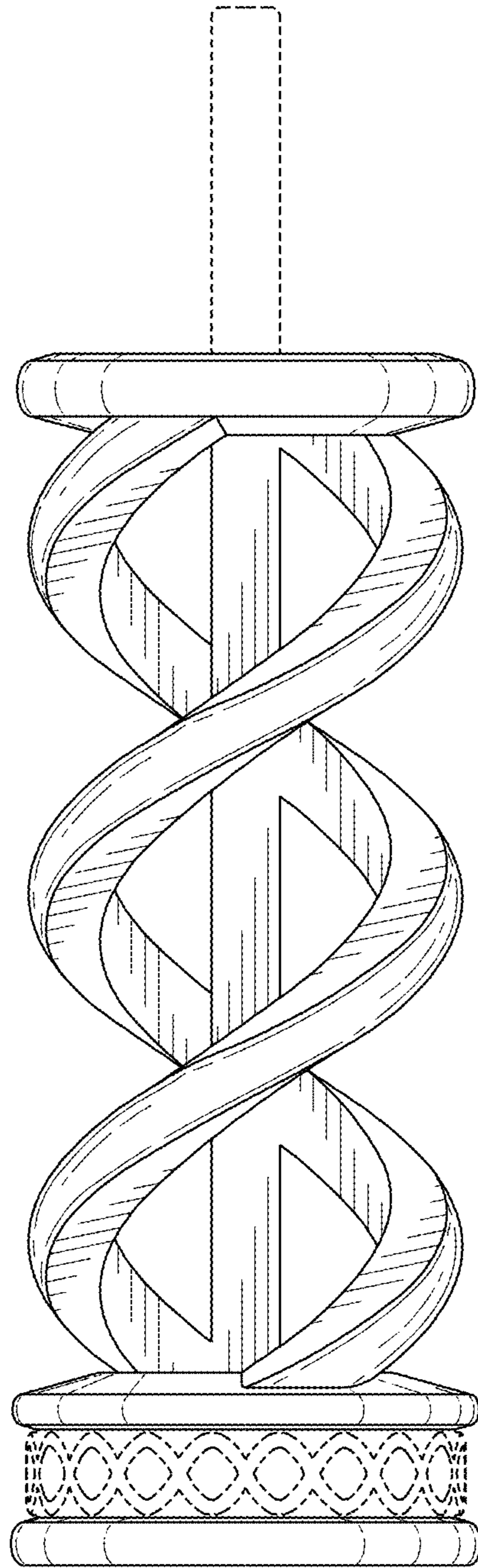


FIG. 4

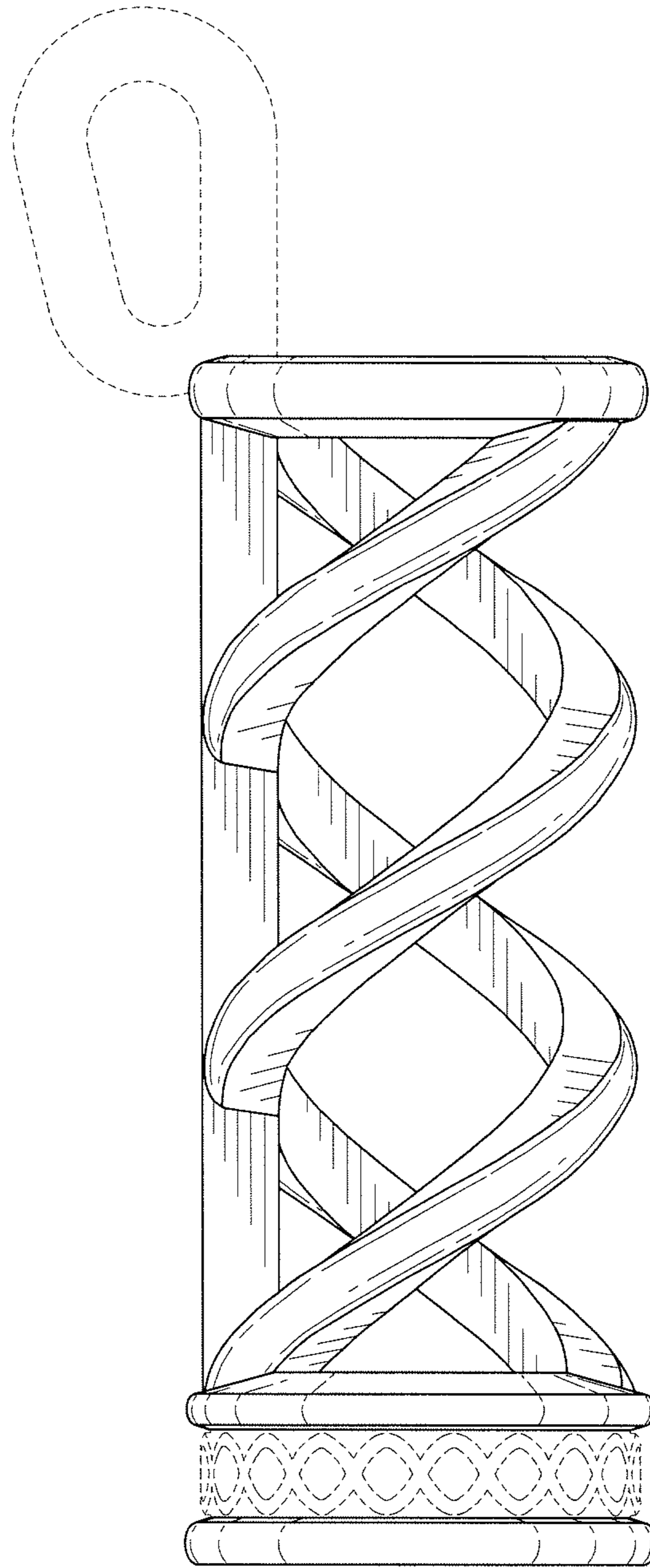


FIG. 5

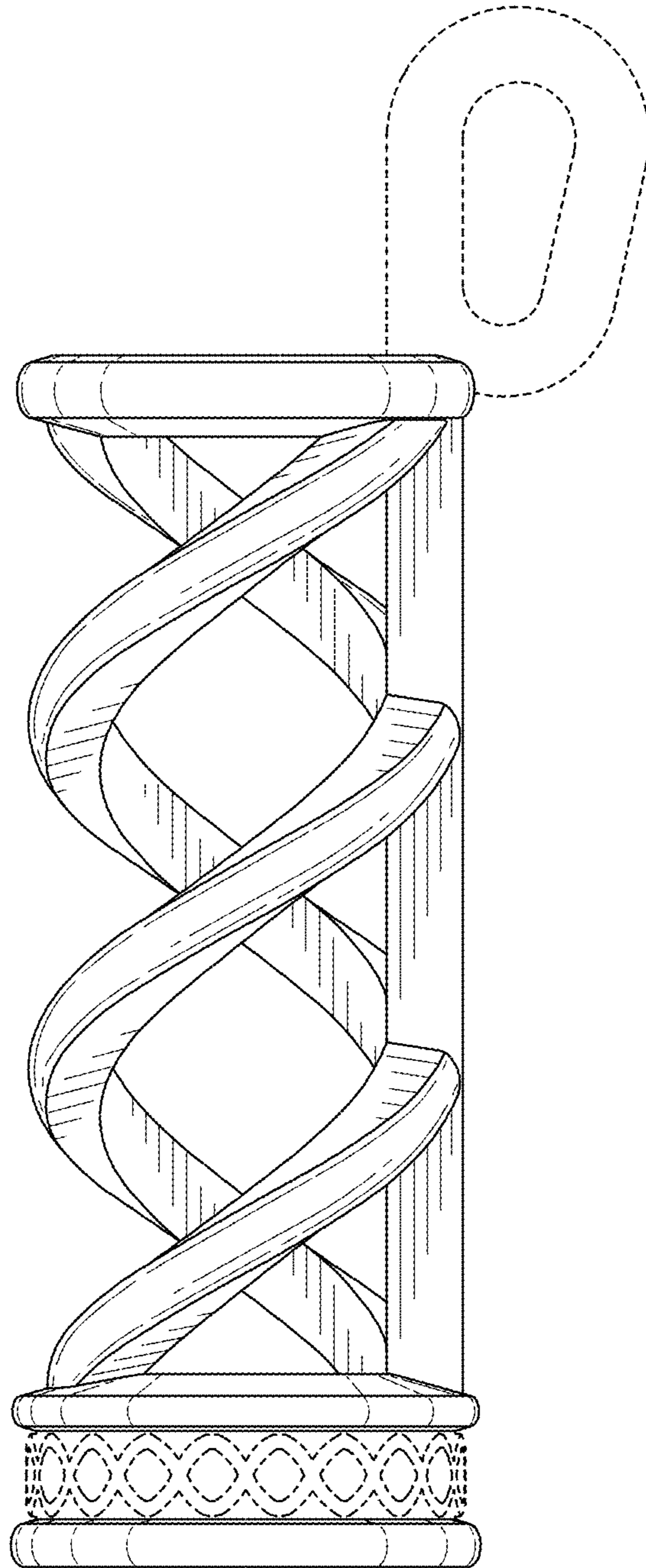


FIG. 6

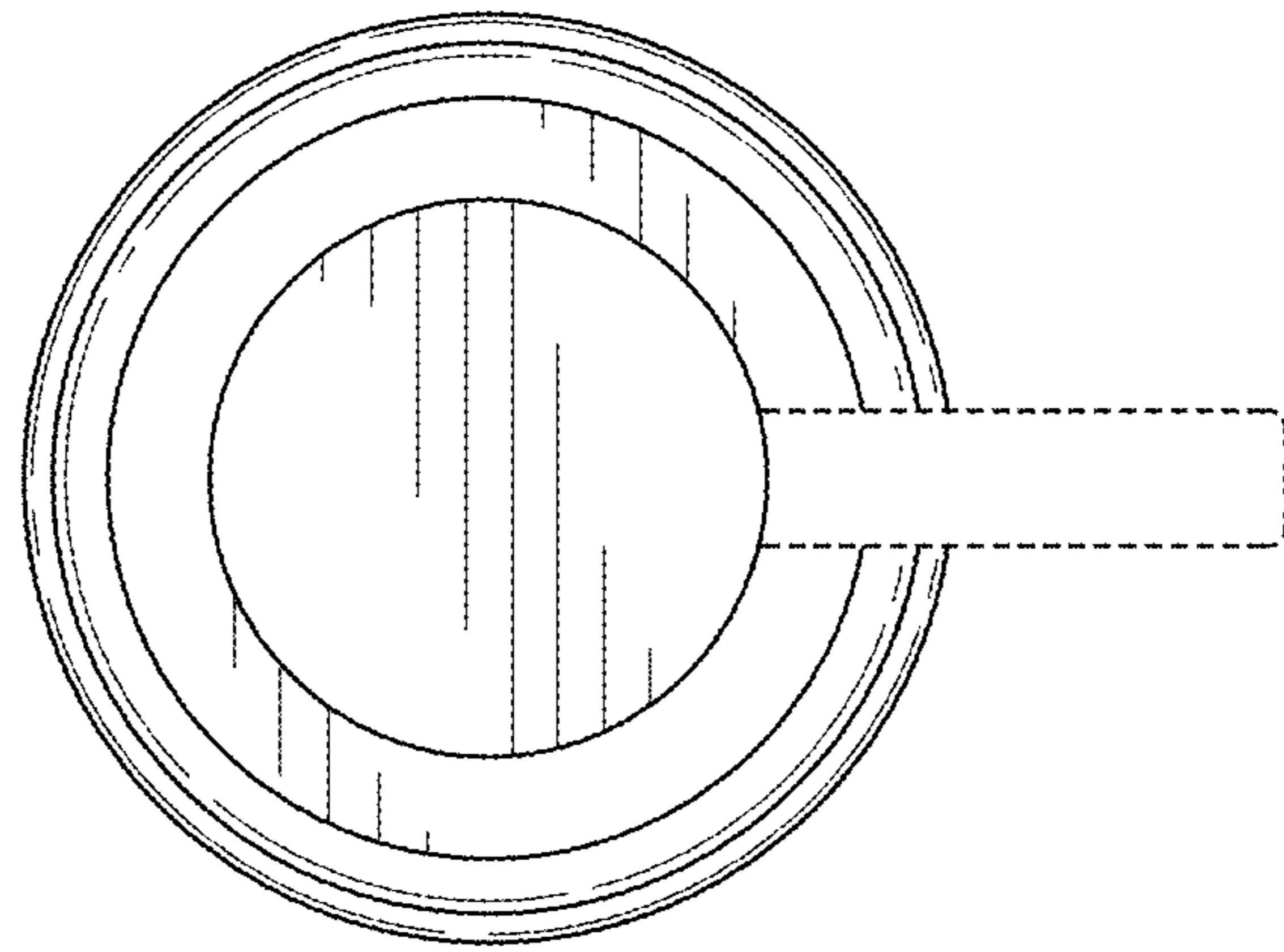


FIG. 7

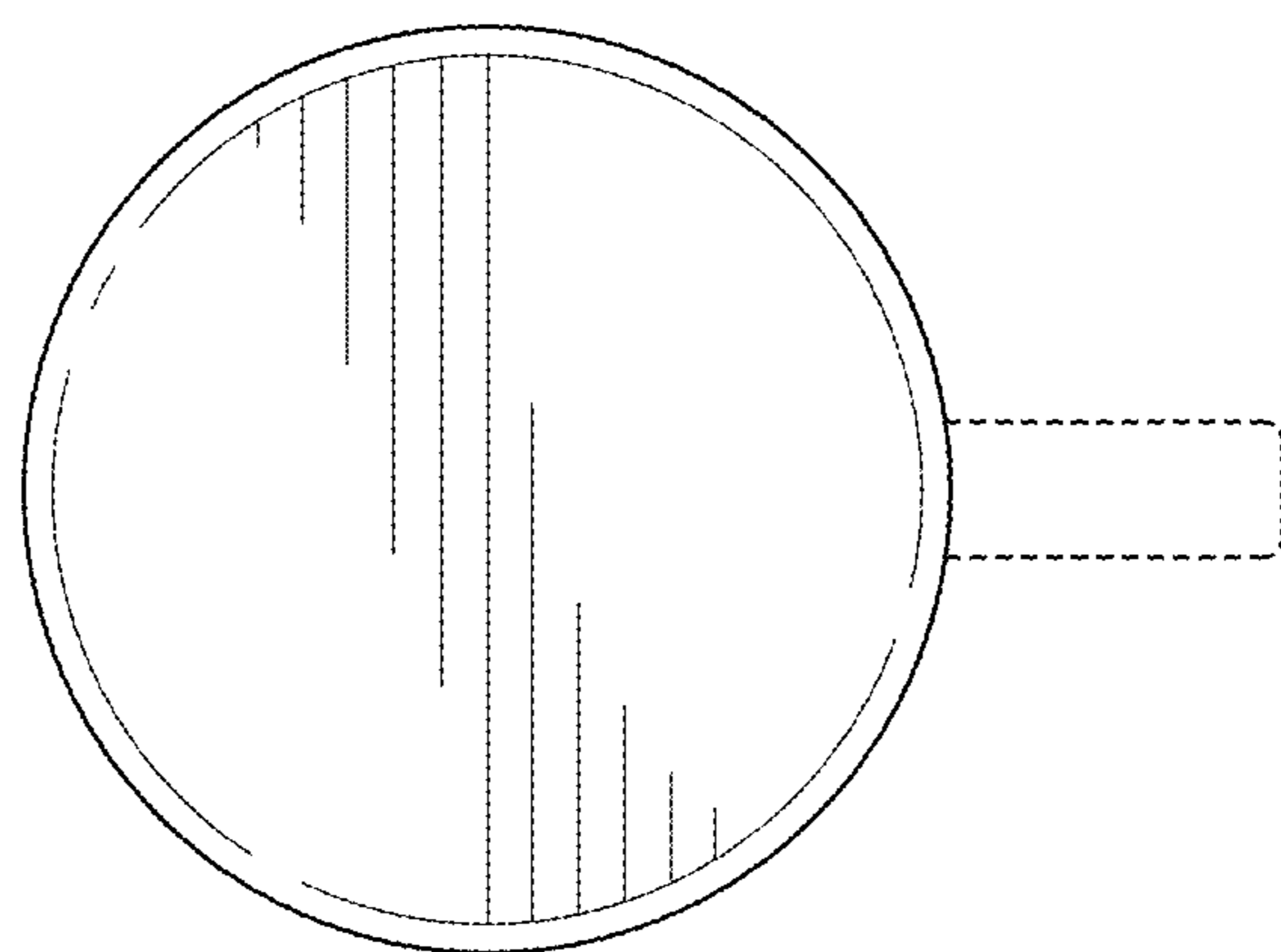


FIG. 8