



US00D871247S

(12) **United States Design Patent**
Voller et al.

(10) **Patent No.:** **US D871,247 S**

(45) **Date of Patent:** **** Dec. 31, 2019**

(54) **WRIST STRAP**

(71) Applicant: **ZapGo Ltd.**, Didcot (GB)

(72) Inventors: **Stephen Voller**, Didcot (GB); **Robert Dix**, Didcot (GB); **Hugh Sutherland**, Didcot (GB)

(73) Assignee: **ZapGo Ltd.**, Harwell (GB)

(**) Term: **15 Years**

(21) Appl. No.: **29/611,266**

(22) Filed: **Jul. 20, 2017**

(30) **Foreign Application Priority Data**

May 12, 2017 (EM) 003997642

(51) **LOC (12) Cl.** **11-01**

(52) **U.S. Cl.**
USPC **D11/3**

(58) **Field of Classification Search**
USPC D10/31, 32, 38, 39; D11/1-25, 86, 87,
D11/93, 94; D14/344

(Continued)

(56) **References Cited**

U.S. PATENT DOCUMENTS

D232,974 S * 9/1974 Saltz D19/86
D237,815 S * 11/1975 Bulgari D11/5

(Continued)

OTHER PUBLICATIONS

Apple Band (available online retrieved from the internet Aug. 6, 2019 from URL: <https://www.pinterest.com/JuxliHome/>.)

Primary Examiner — Kevin K Rudzinski

Assistant Examiner — Richard Kearney

(57) **CLAIM**

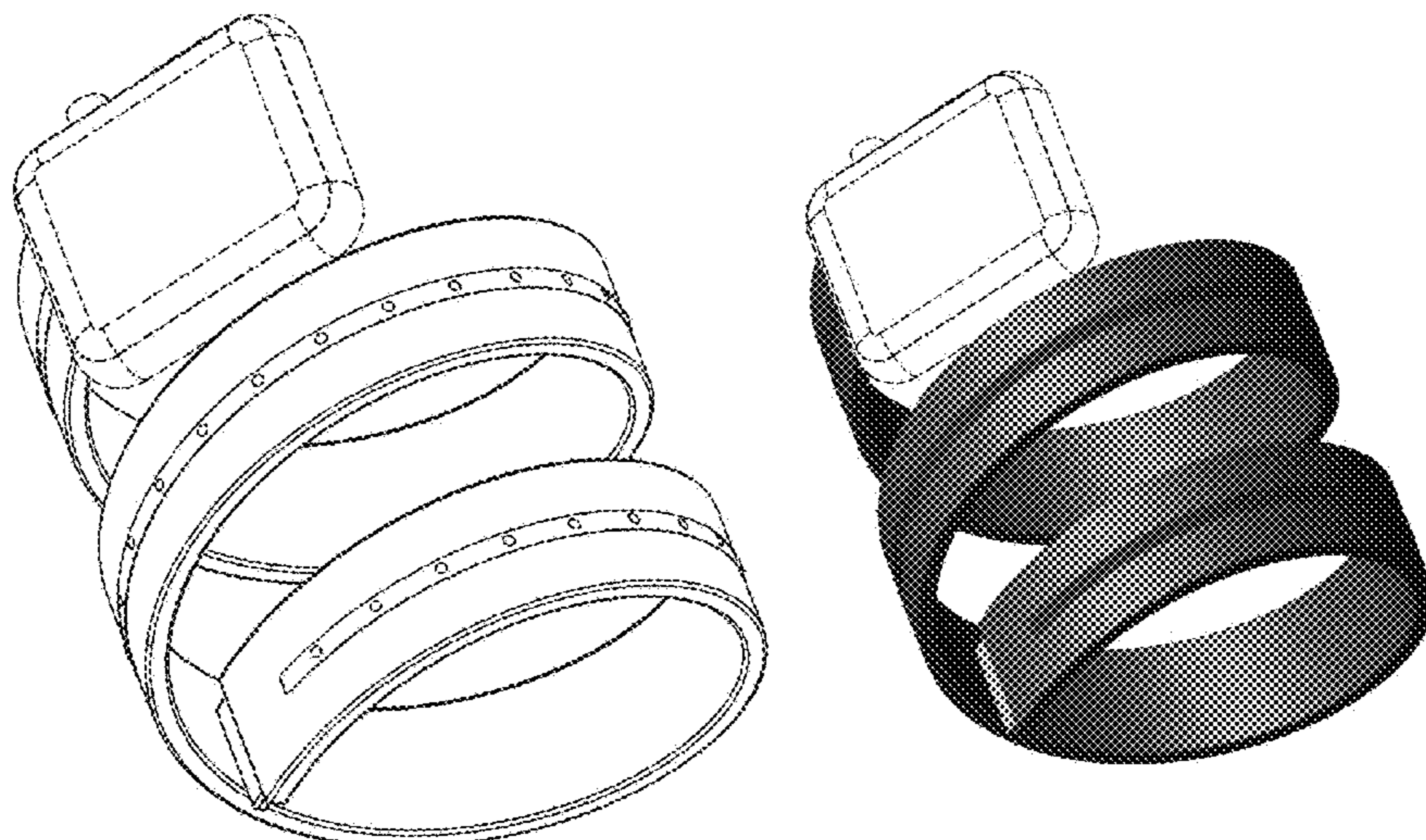
The ornamental design for a wrist strap, as shown and described.

DESCRIPTION

The application file contains at least one drawing executed in color. Copies of this patent or patent application publication with color drawing(s) will be provided by the Office upon request and payment of the necessary fee.

FIG. 1 is a perspective view showing our new design;
FIG. 2 is a top view thereof;
FIG. 3 is a bottom view thereof;
FIG. 4 is a front view thereof;
FIG. 5 is a rear view thereof;
FIG. 6 is a side view thereof;
FIG. 7 is a further side view thereof;
FIG. 8 is a further bottom view thereof;
FIG. 9 is a further perspective view thereof;
FIG. 10 is a perspective view in a second embodiment thereof;
FIG. 11 is a top view thereof;
FIG. 12 is a bottom view thereof;
FIG. 13 is a front view thereof;
FIG. 14 is a rear view thereof;
FIG. 15 is a side view thereof;
FIG. 16 is a further side view thereof;
FIG. 17 is a further bottom view thereof;
FIG. 18 is a further perspective view thereof;
FIG. 19 is a perspective view in a third embodiment shown in a first state thereof;
FIG. 20 is a further perspective view shown in a second state thereof;
FIG. 21 is a further perspective view shown in a third state thereof;
FIG. 22 is a further perspective view shown in a fourth state thereof;
FIG. 23 is a further perspective view of the wrist strap of FIG. 19 shown in a penultimate state; and,
FIG. 24 is a further perspective view shown in a final state. Dashed lines in the drawings denote features of the article that are included for the purpose of illustrating context, but form no part of the claimed design.

1 Claim, 24 Drawing Sheets
(6 of 24 Drawing Sheet(s) Filed in Color)



(58) **Field of Classification Search**

CPC A44C 5/12; A44C 5/14; A44C 5/16; A44C
5/18; A44C 5/22; A44C 5/0053; A44C
5/0069; A44C 5/0076; A44C 5/0084;
A44C 5/00; A44C 5/0007; A44C 5/003;
A44C 5/0061; A44C 5/142; A44C 5/147;
A44C 5/185; G04B 37/00; G04B 37/1486

See application file for complete search history.

(56) **References Cited**

U.S. PATENT DOCUMENTS

D296,766 S * 7/1988 Pavlovic D10/32
D640,936 S * 7/2011 Teixeira D10/32
D694,962 S * 12/2013 Silbiger D30/152
D712,295 S * 9/2014 Ennis D11/3
D792,262 S * 7/2017 Rosenbaum D11/5
D794,013 S * 8/2017 Heck D11/5
D794,490 S * 8/2017 Lindgren D11/3
2003/0026170 A1 * 2/2003 Yang G04C 3/005
368/10
2013/0064049 A1 * 3/2013 Pileri G04B 37/1486
368/280

* cited by examiner

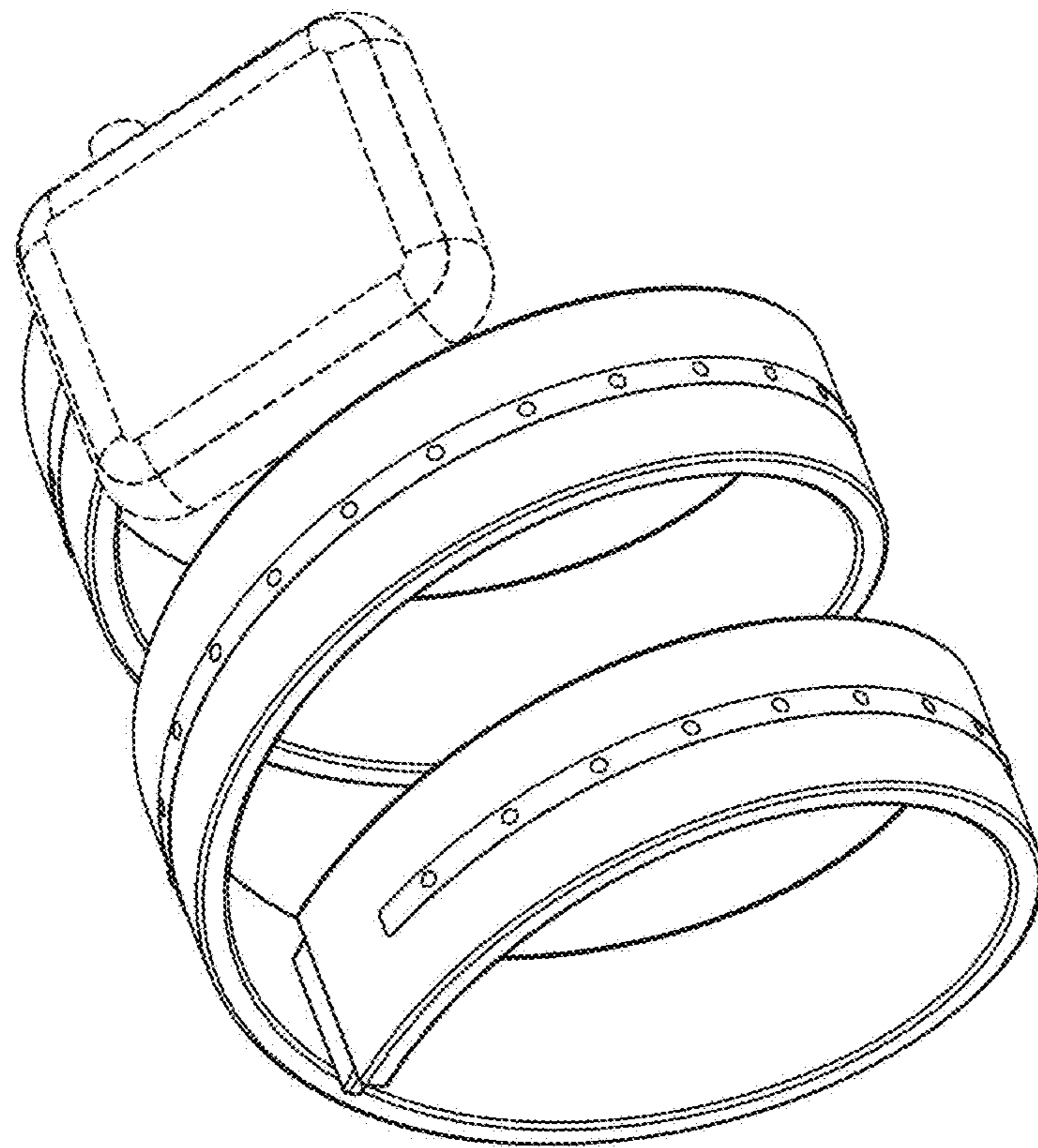


Fig. 1

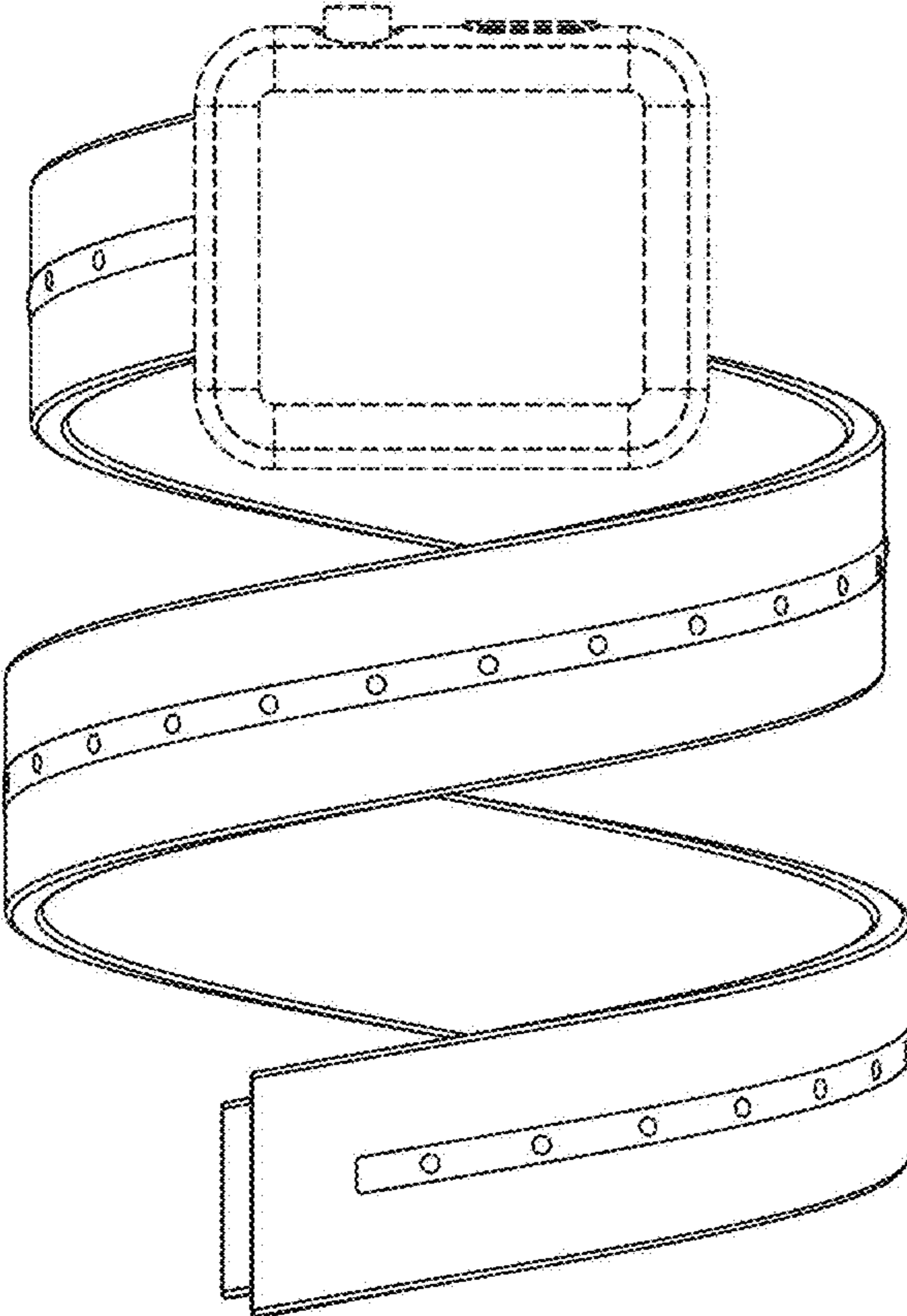


Fig. 2

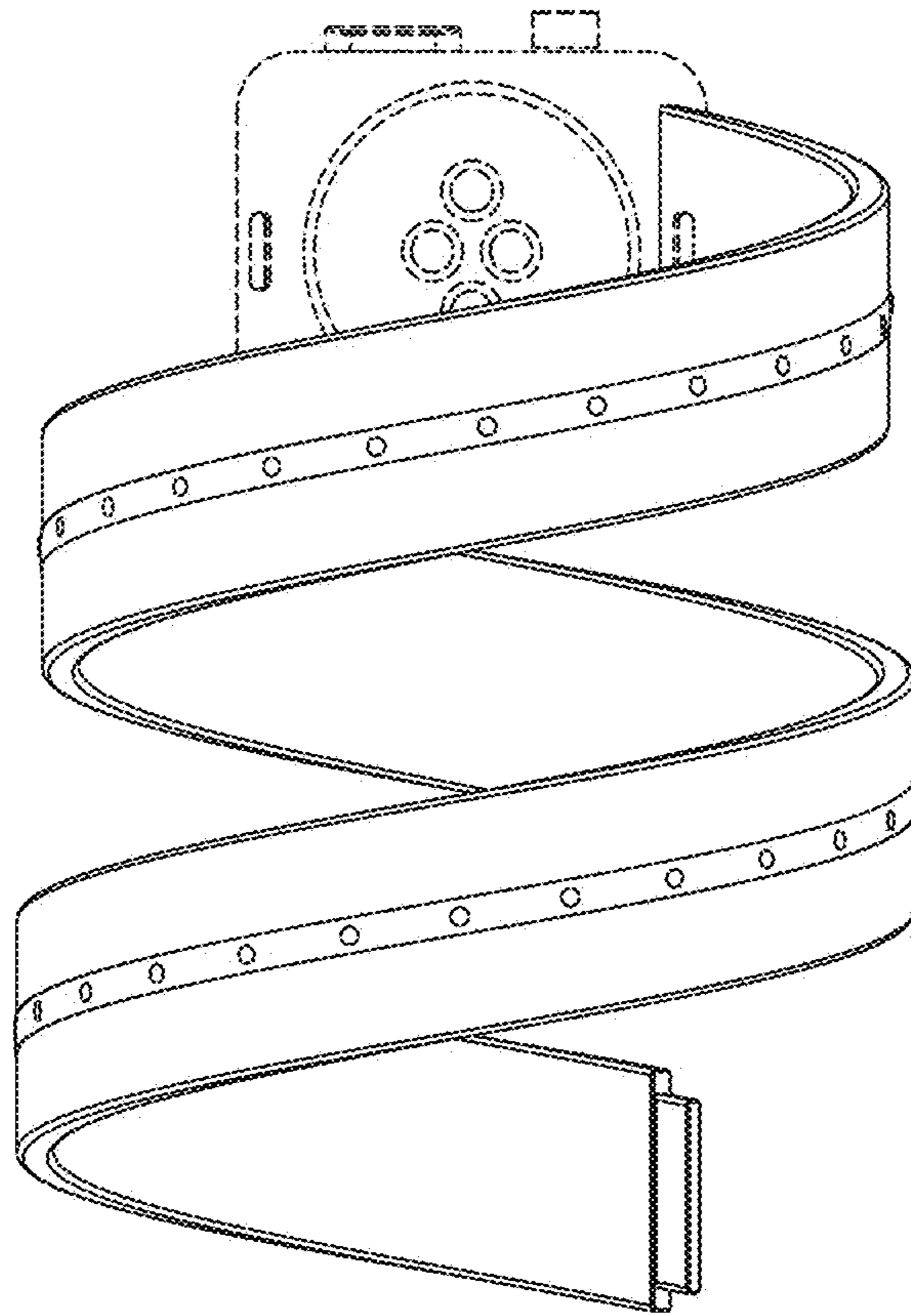


Fig. 3

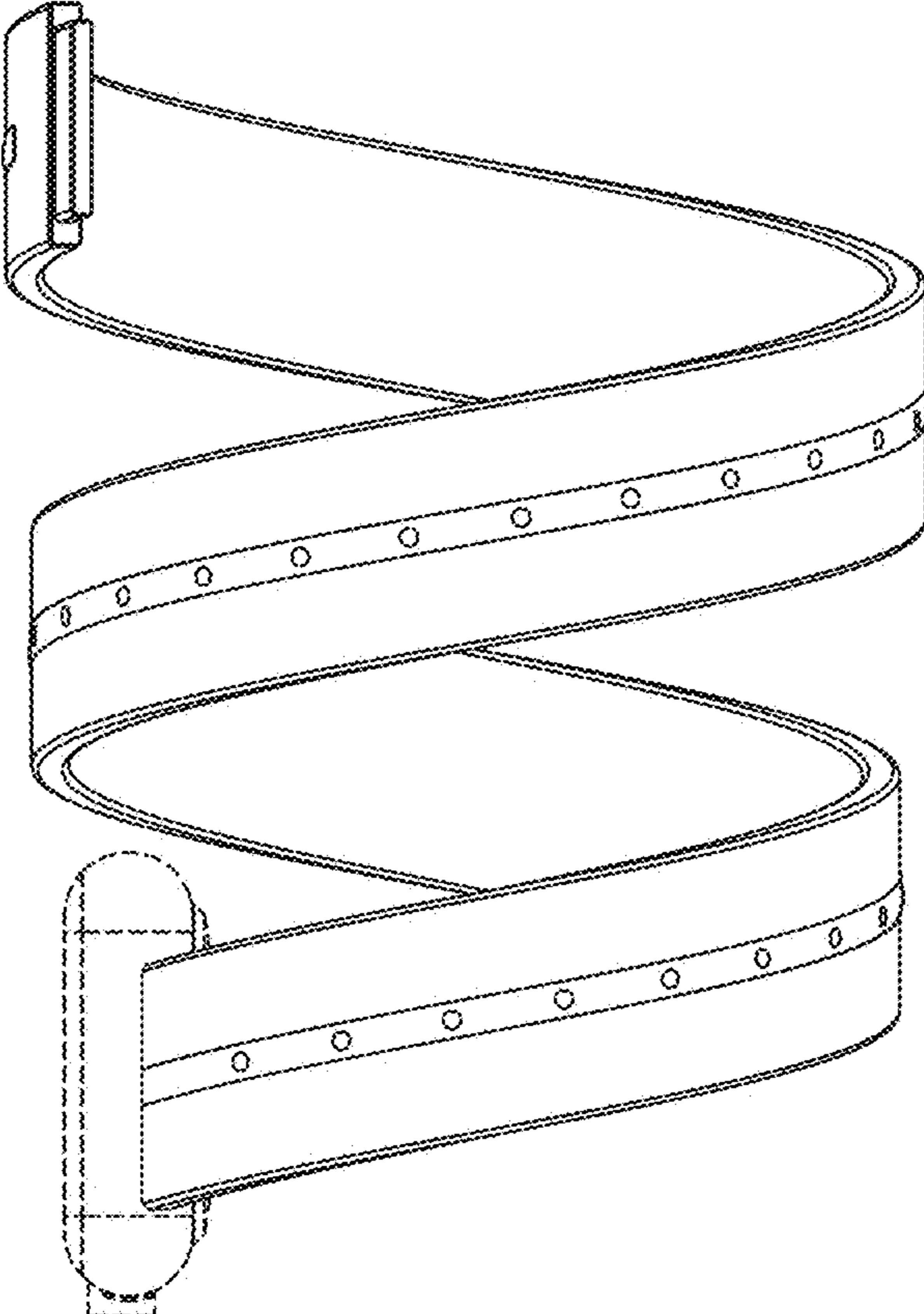


Fig. 4

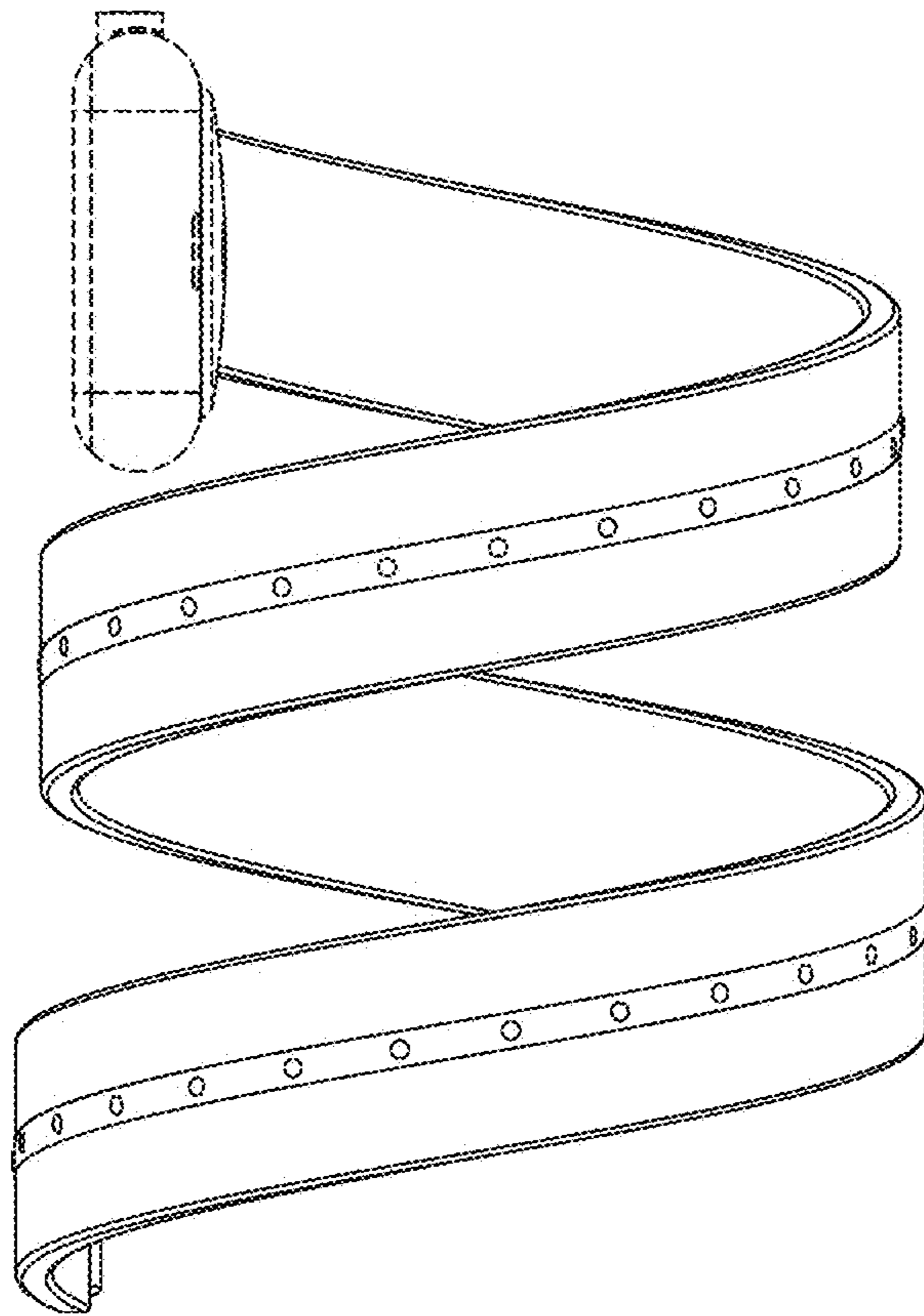


Fig. 5

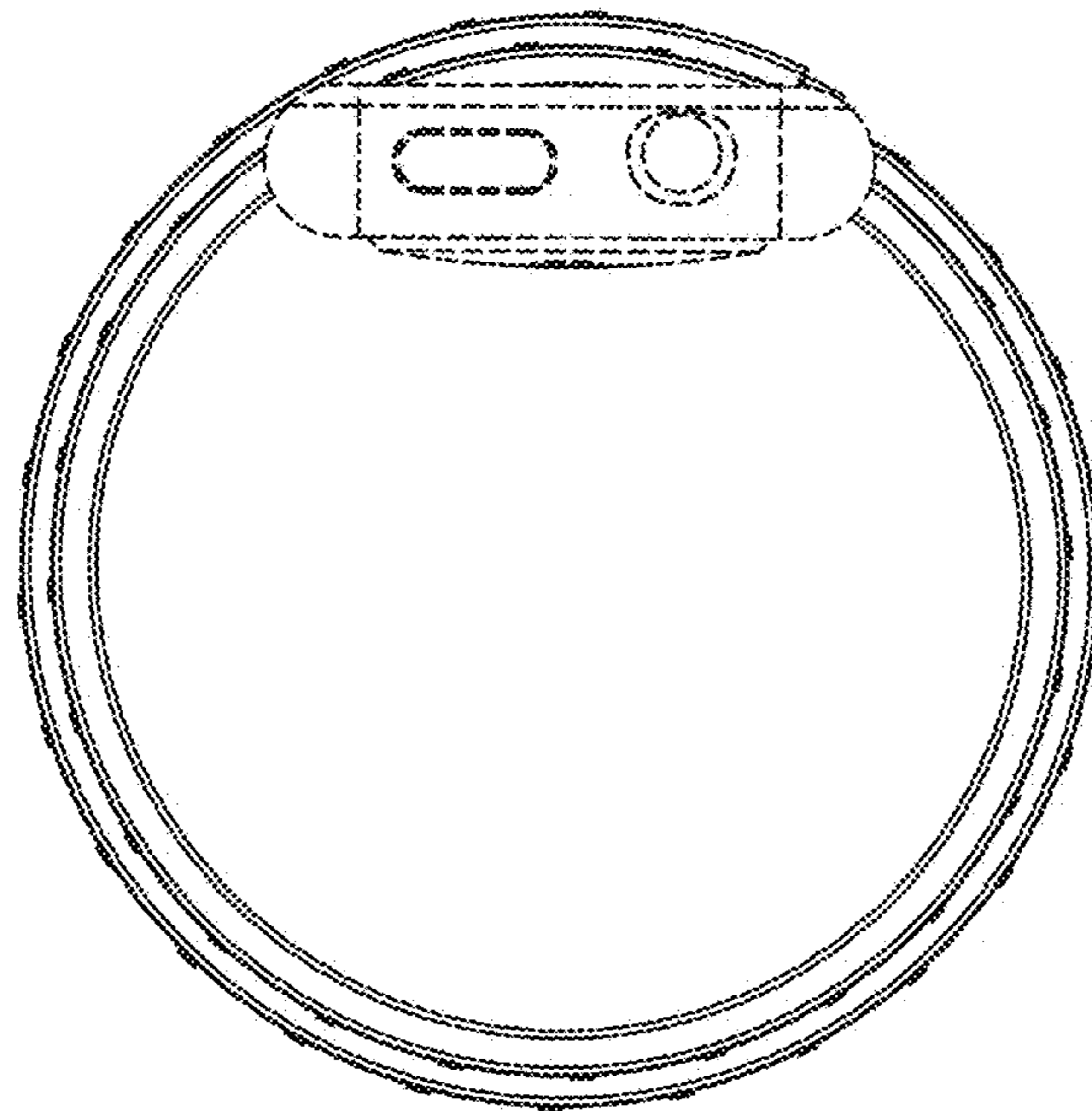


Fig. 6

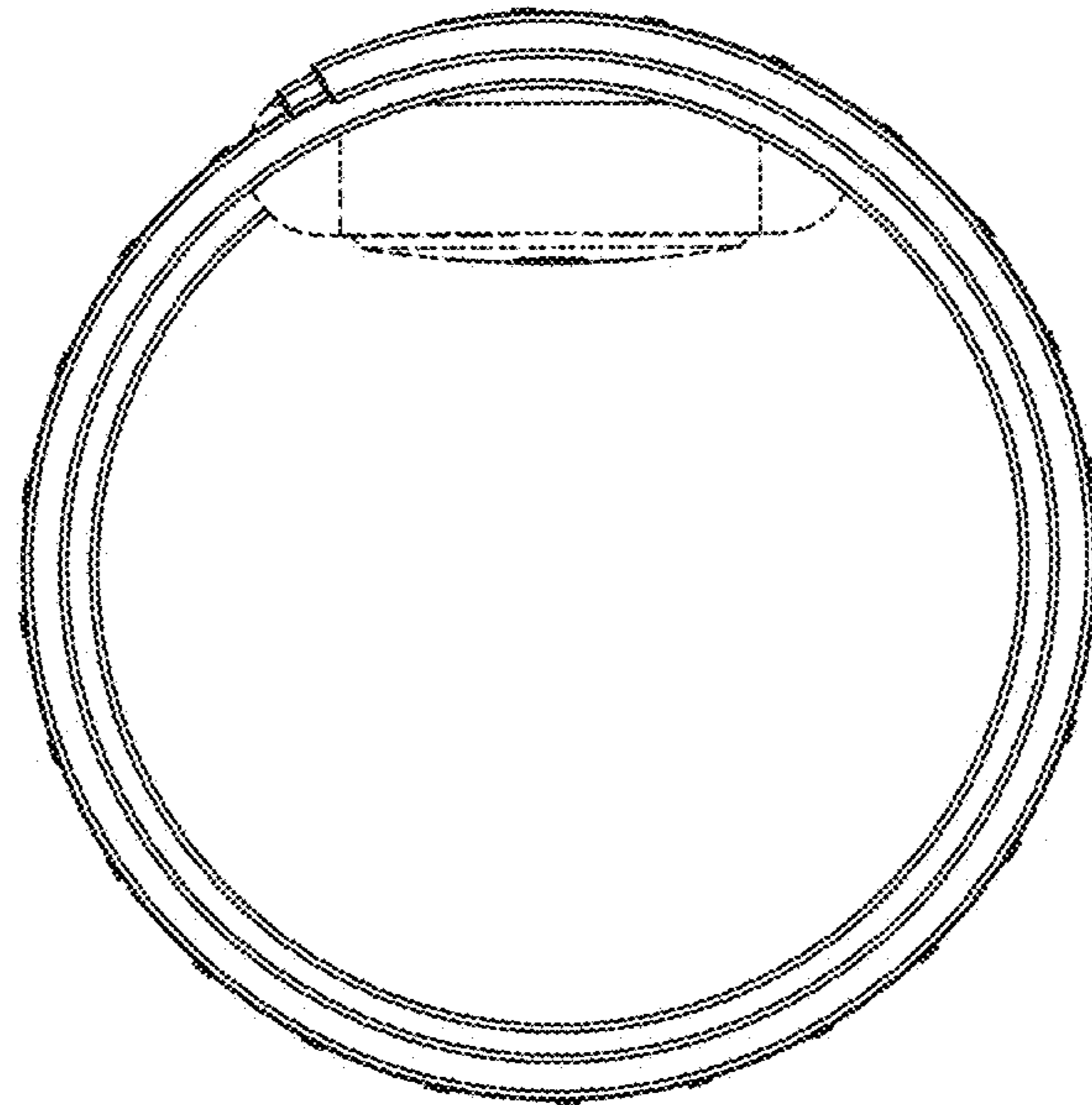


Fig. 7

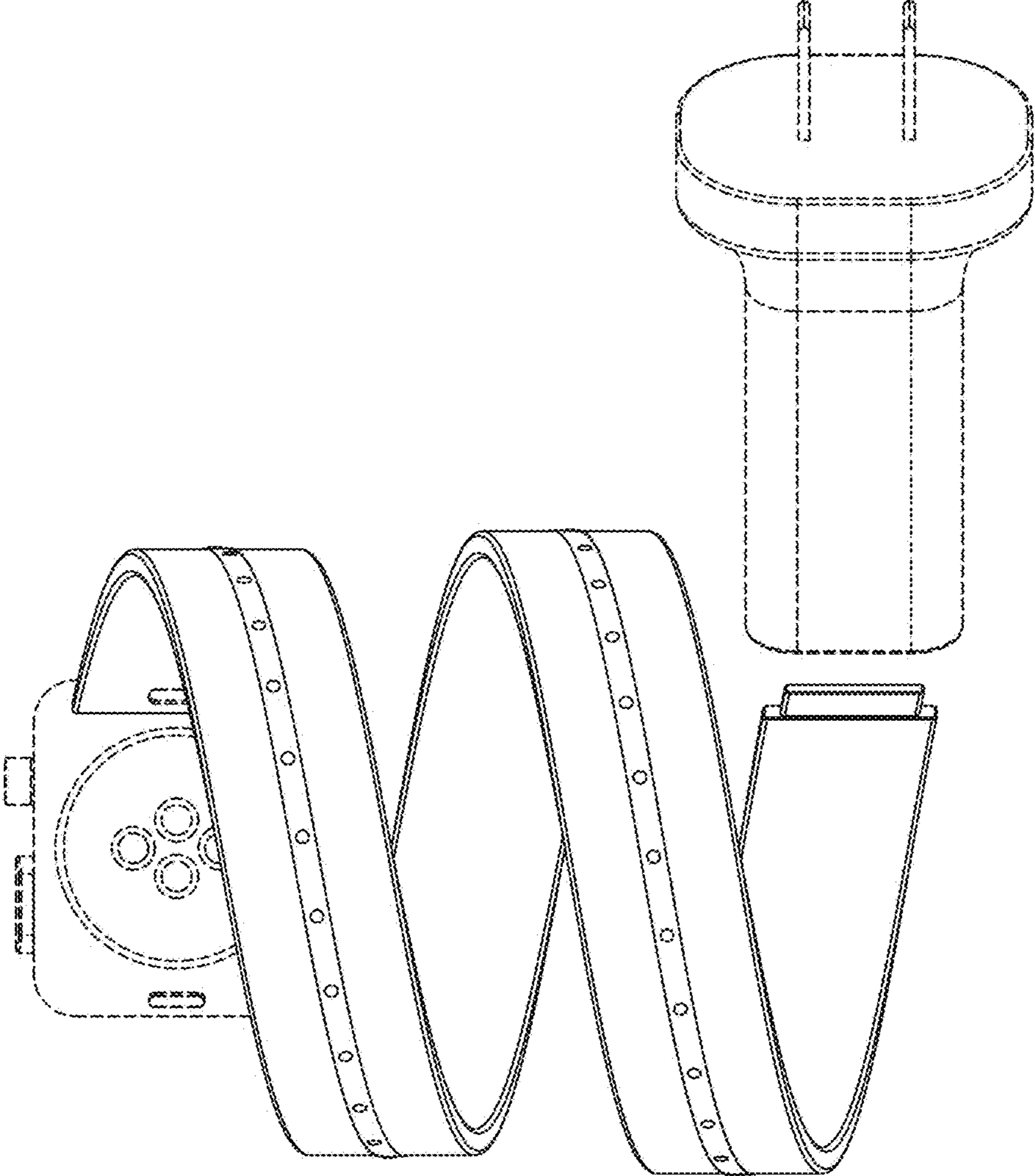


Fig. 8

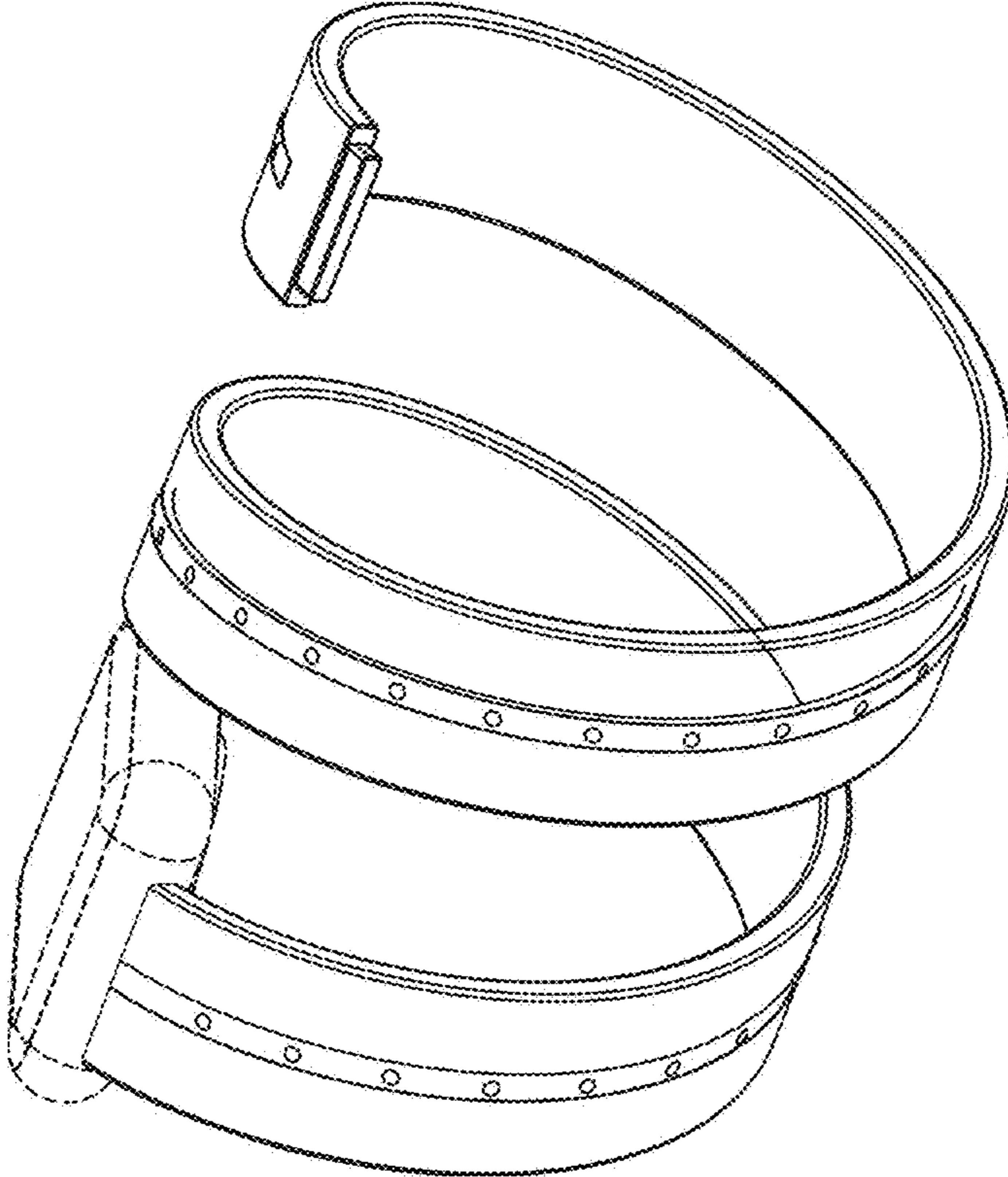


Fig. 9

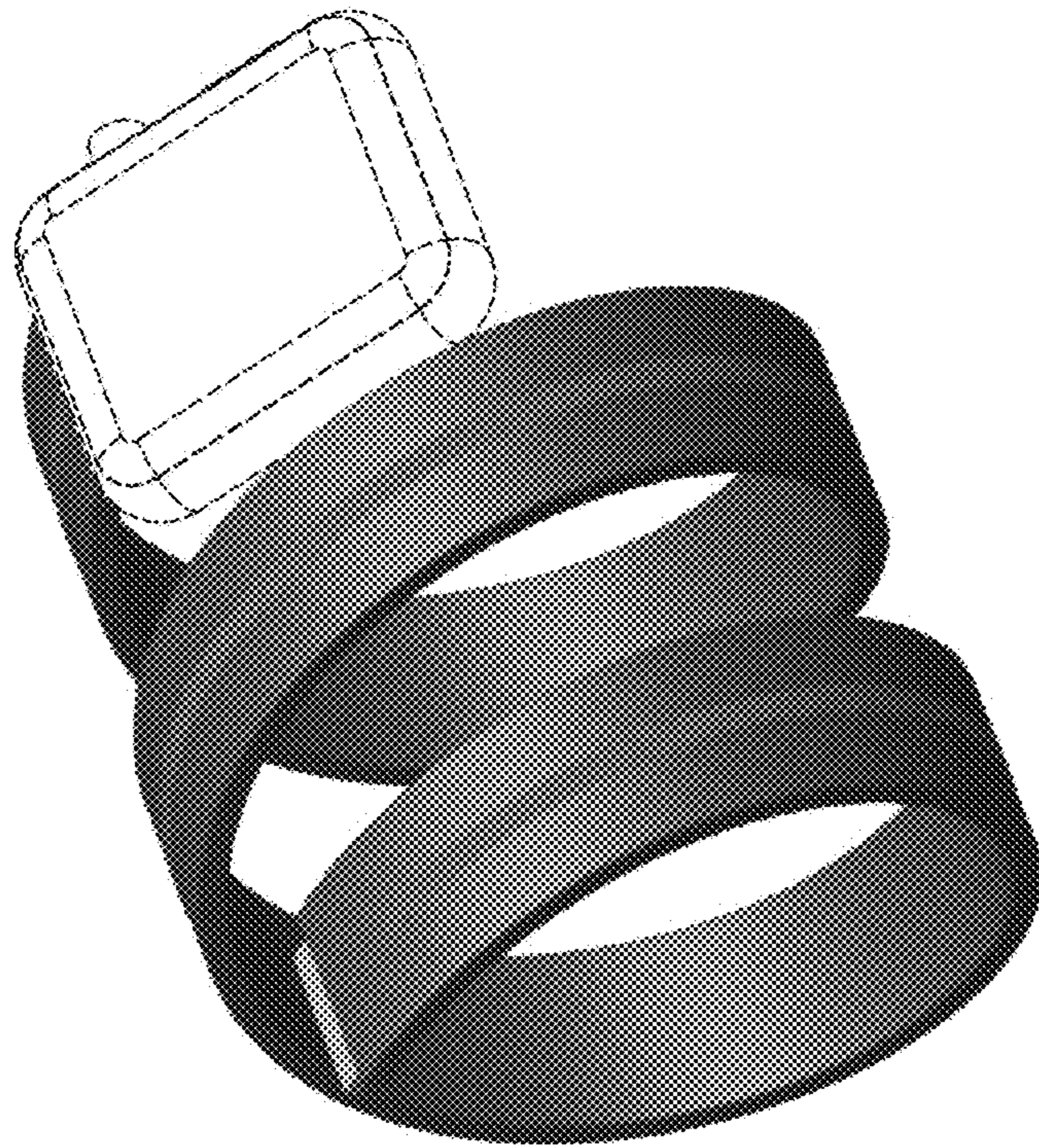


Fig. 10

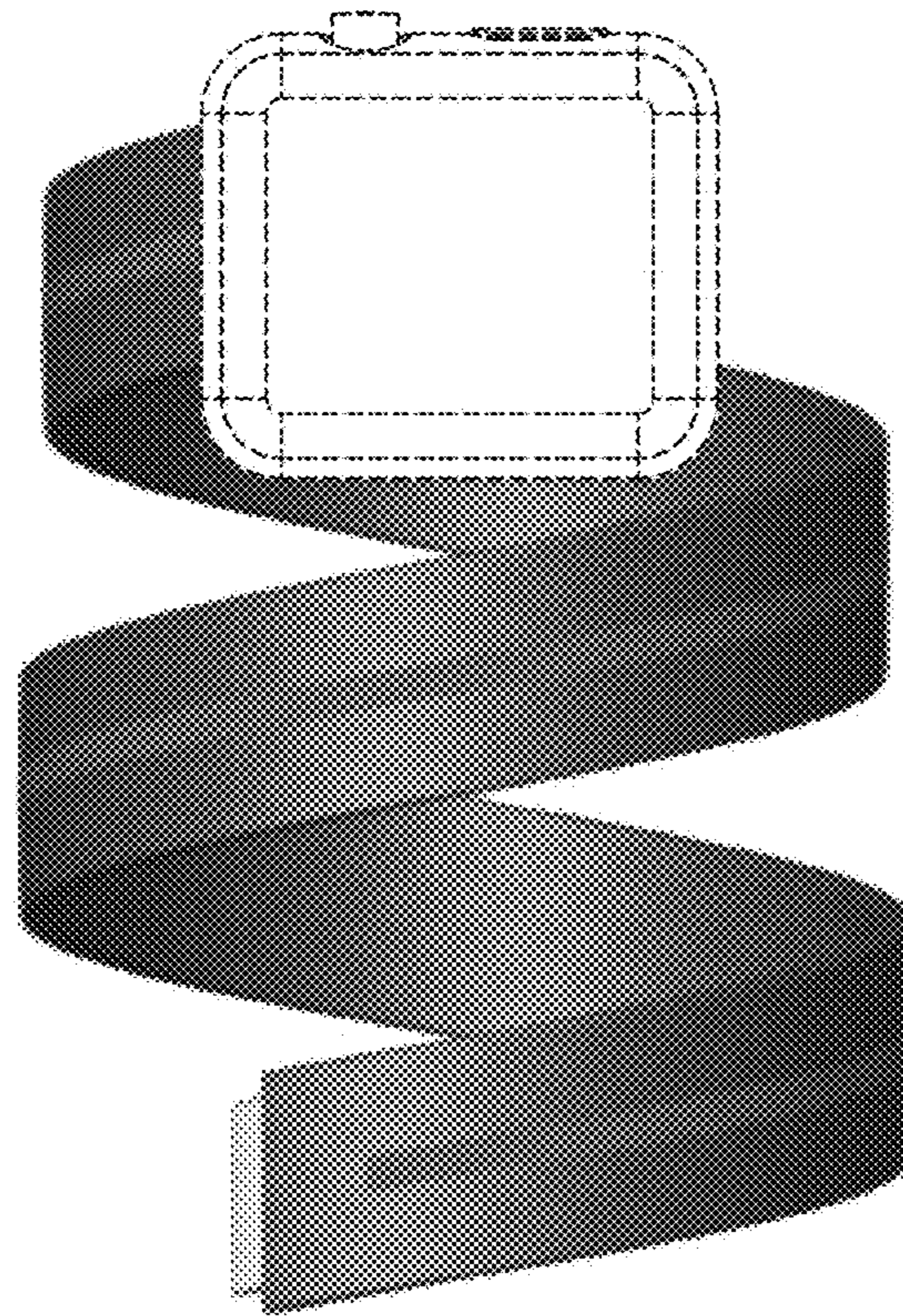


Fig. 11

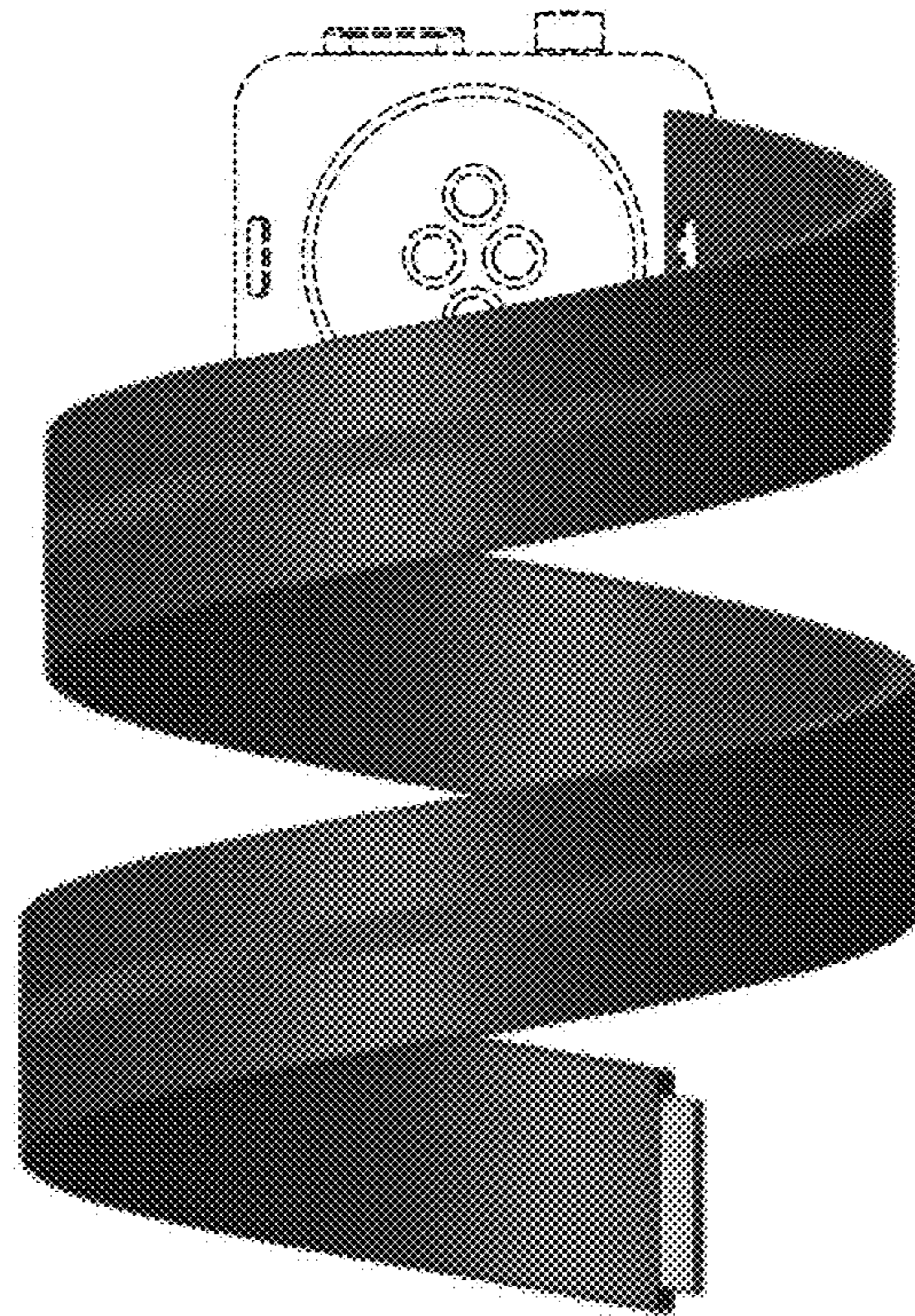


Fig. 12

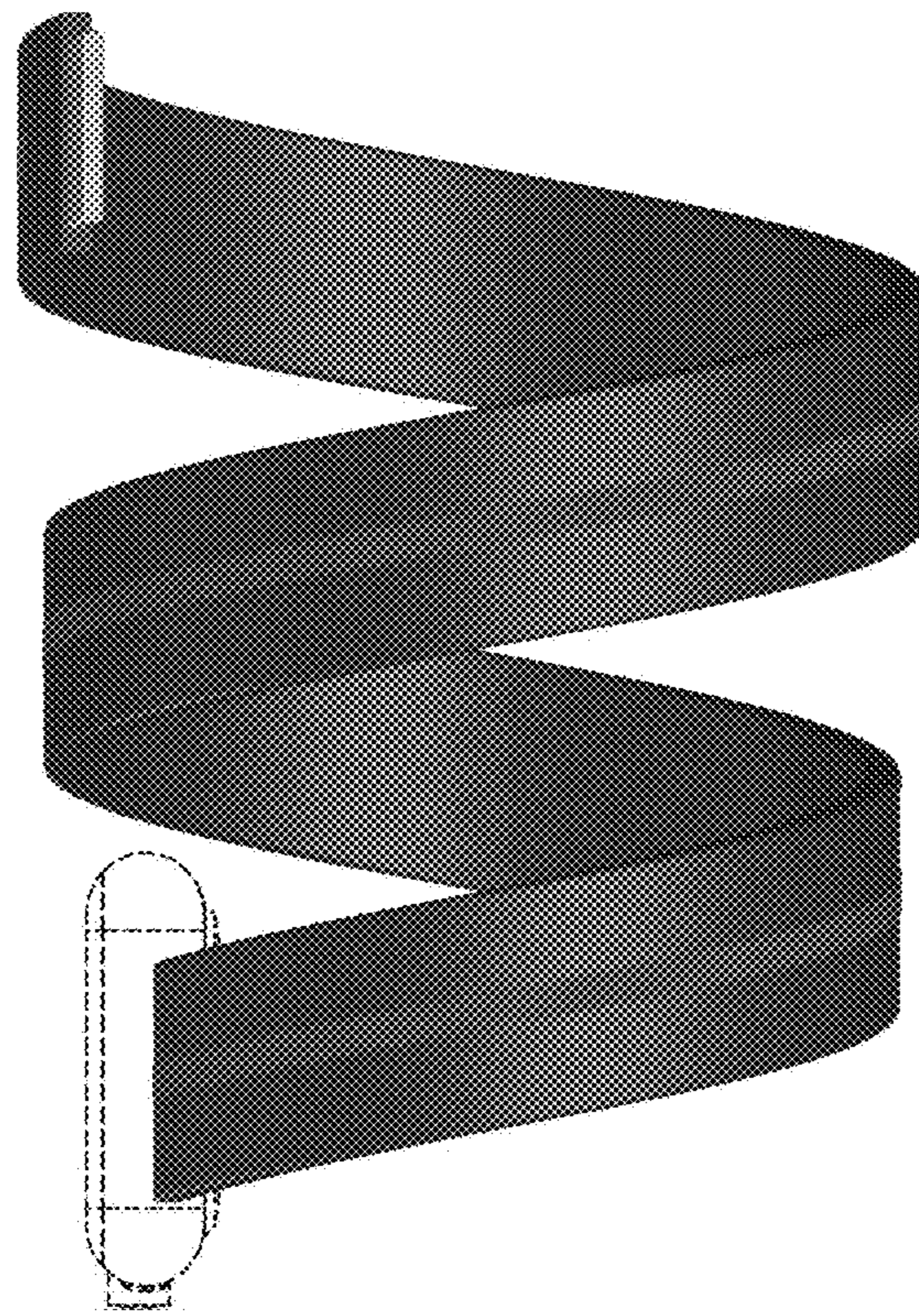


Fig. 13

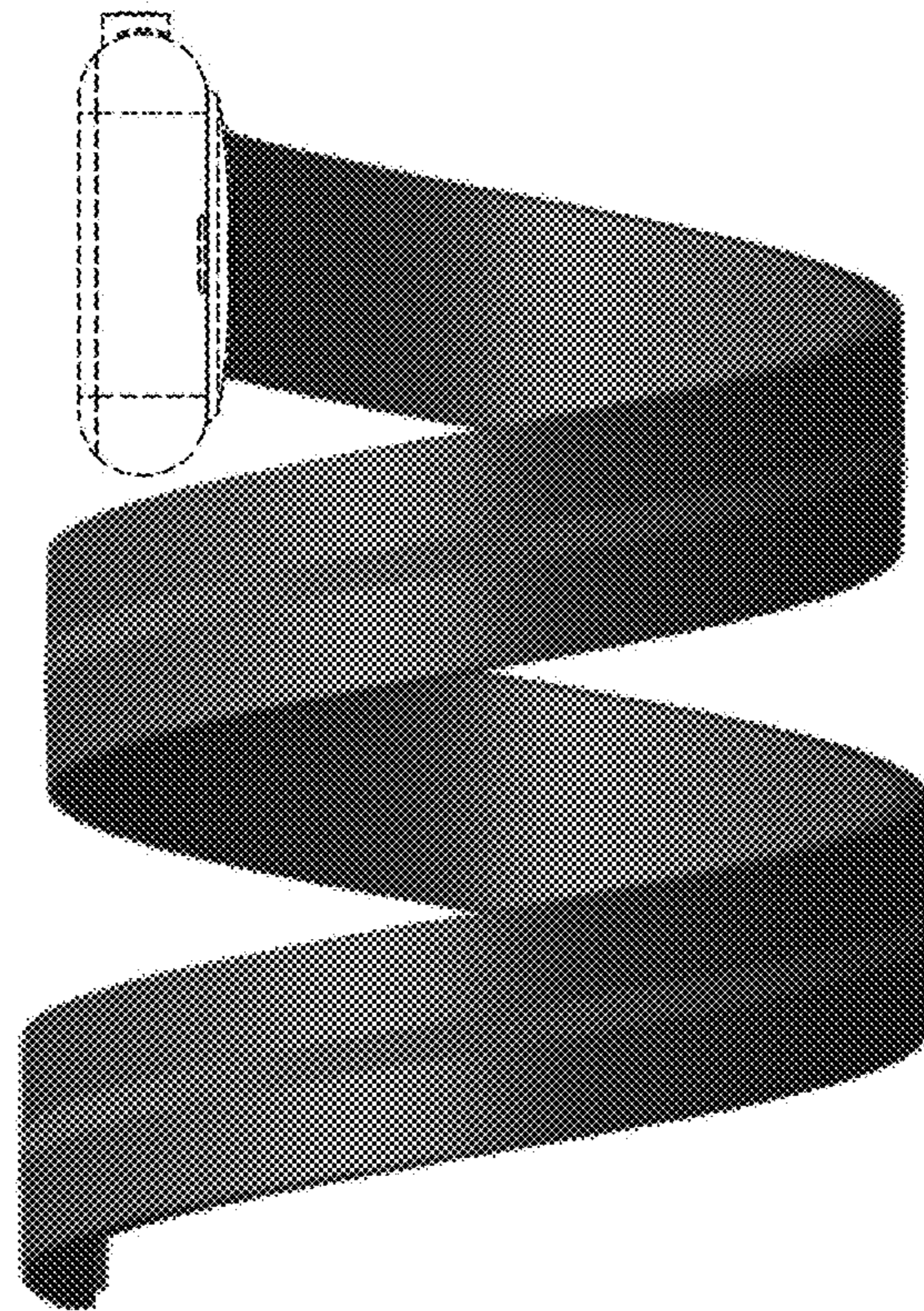


Fig. 14

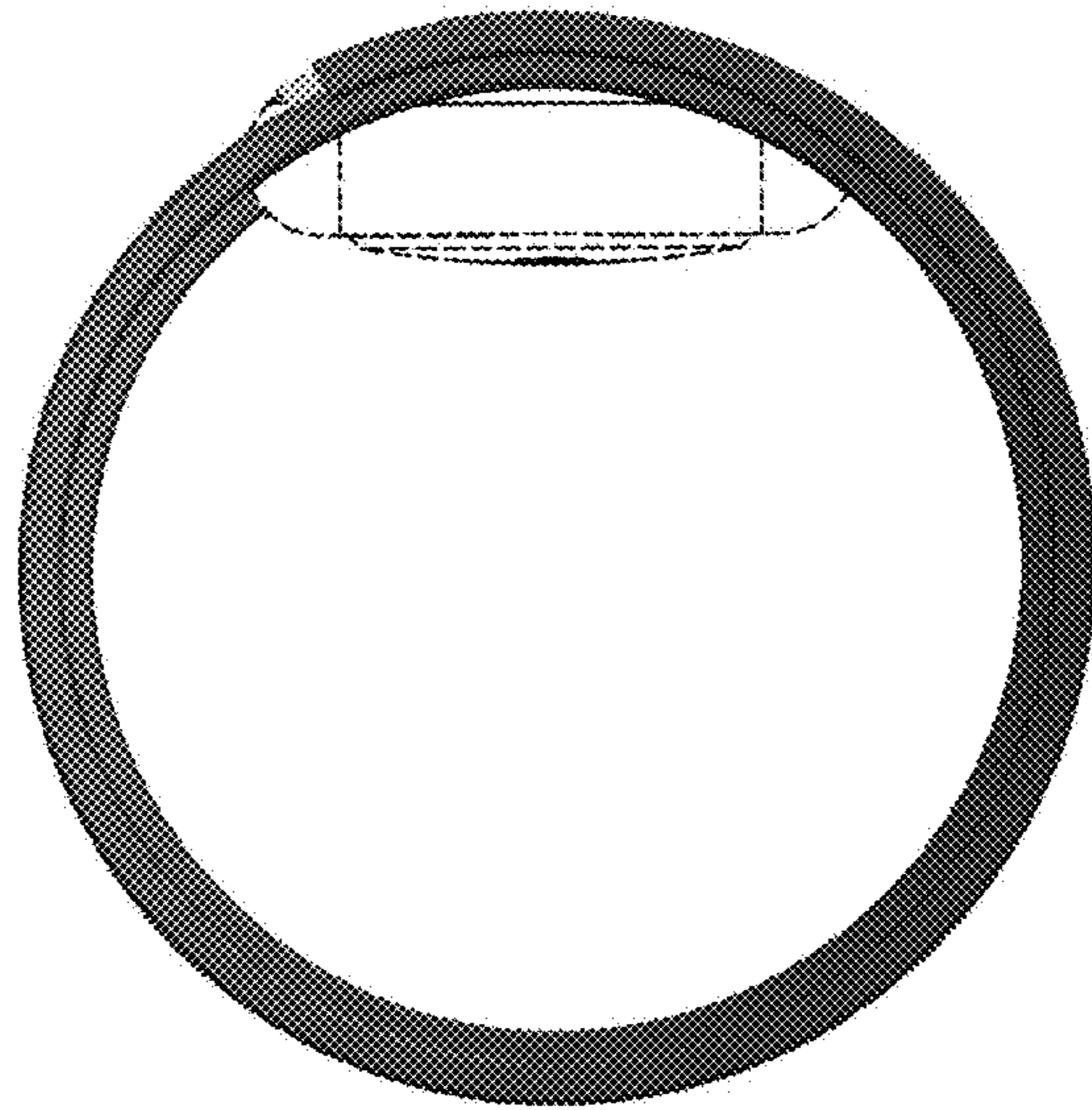


Fig. 15

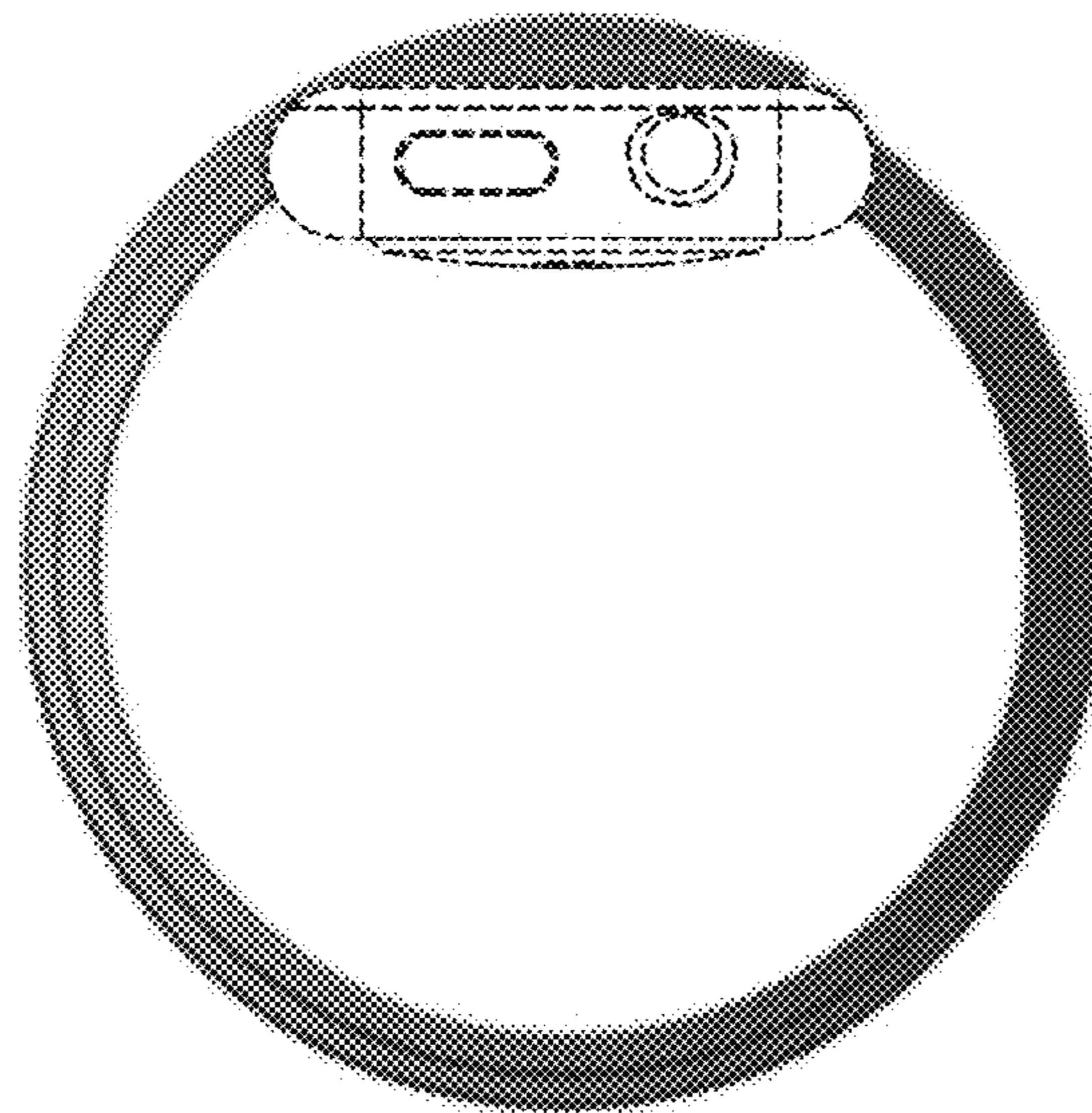


Fig. 16

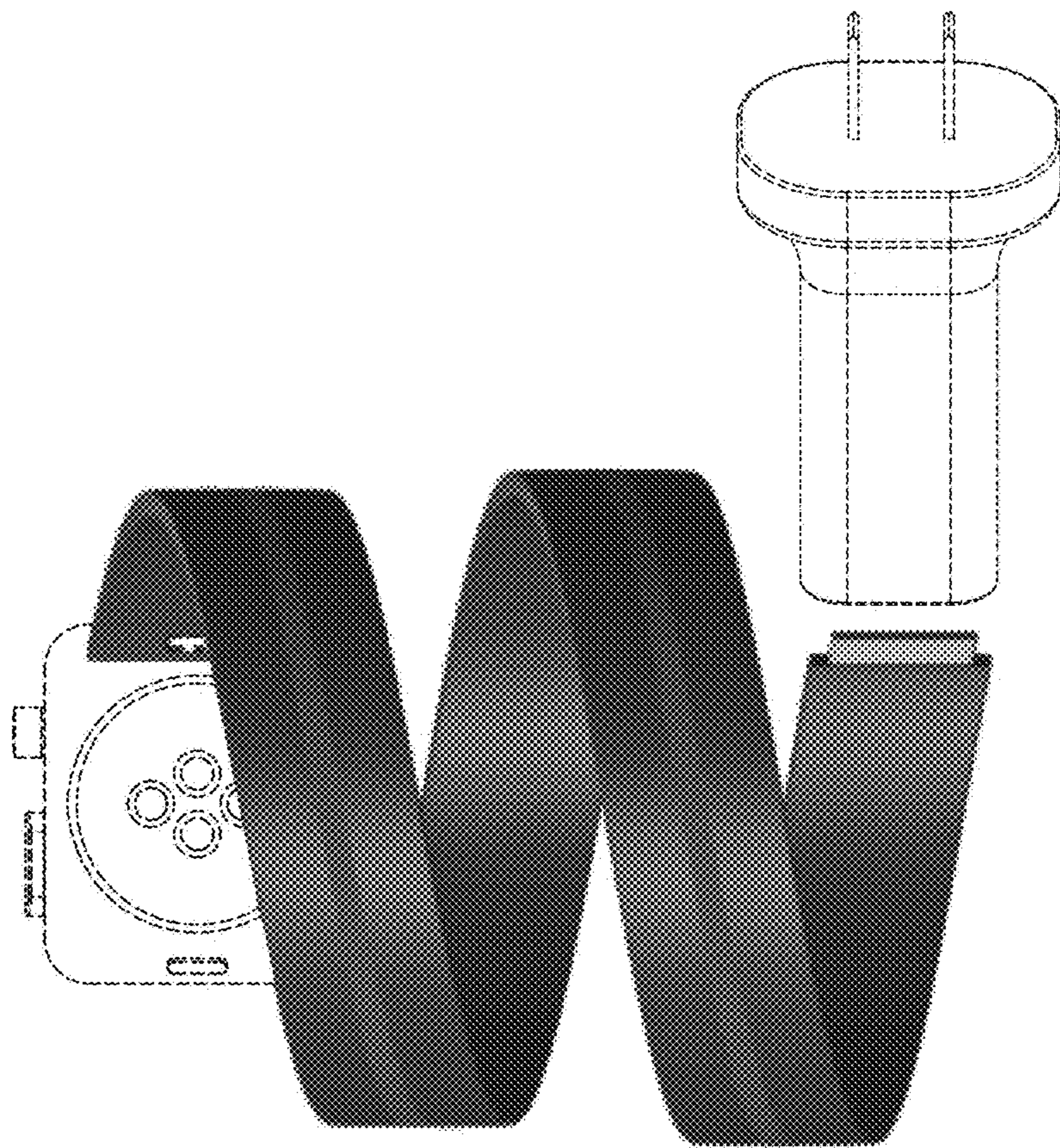


Fig. 17

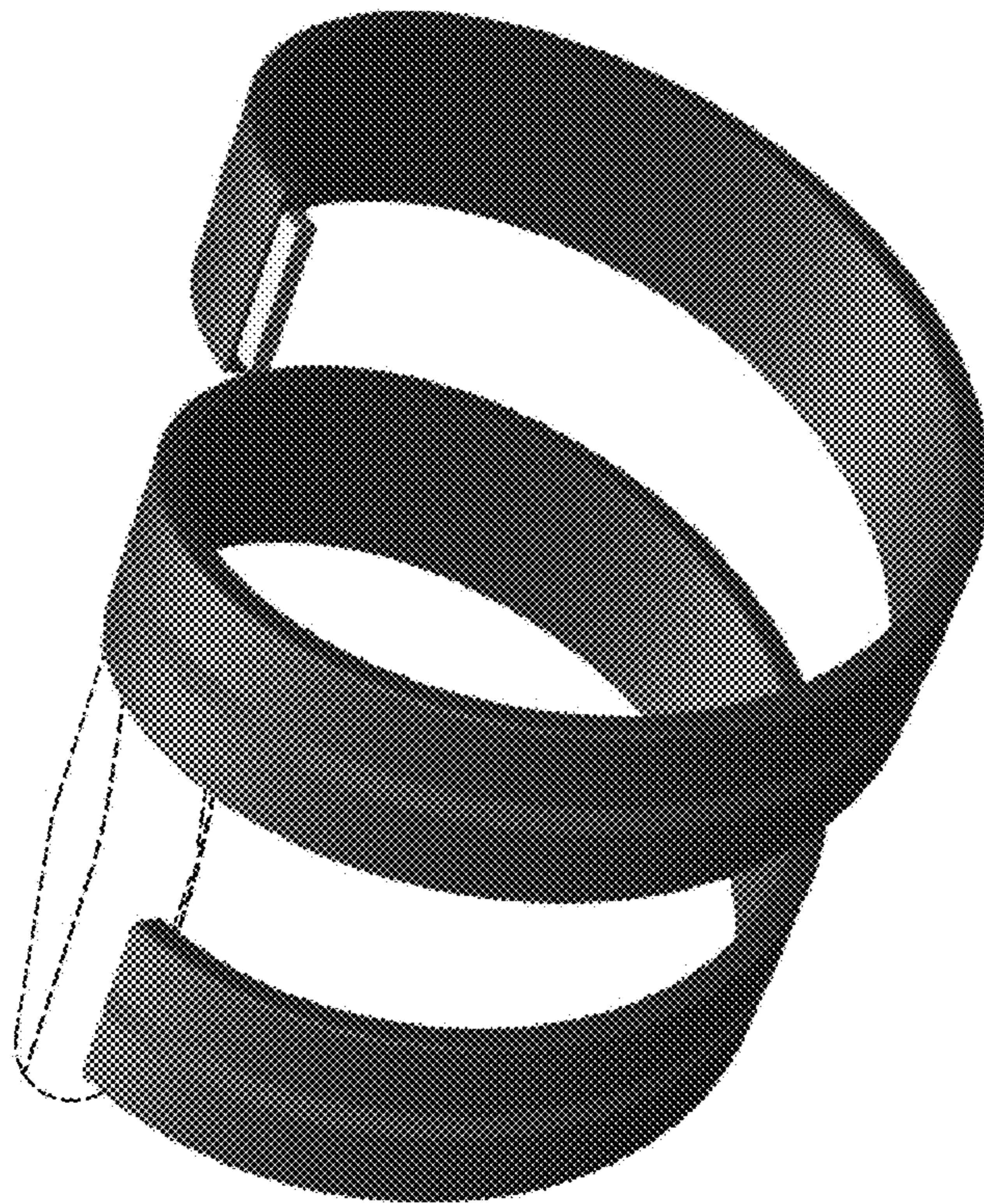


Fig. 18

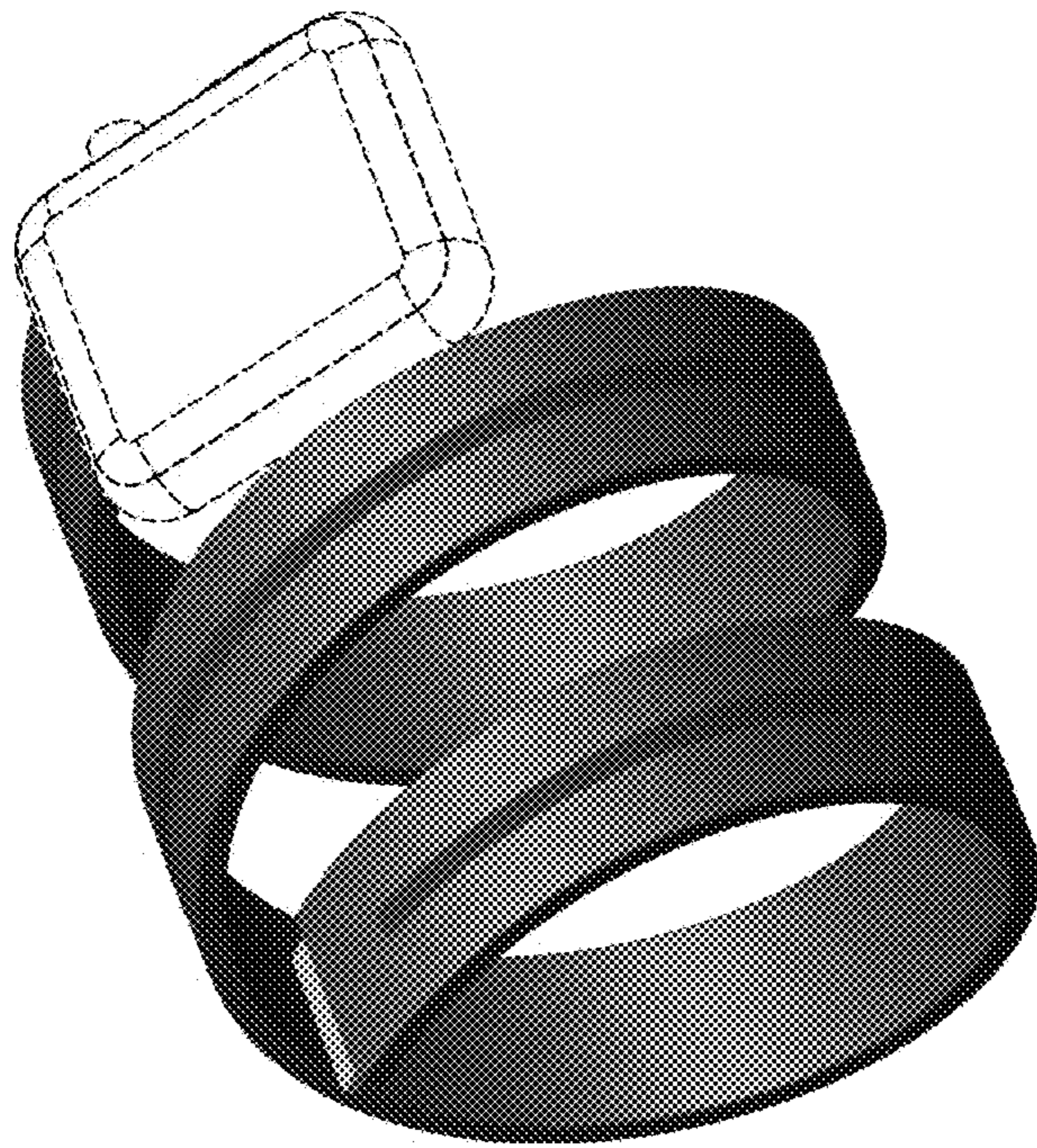


Fig. 19

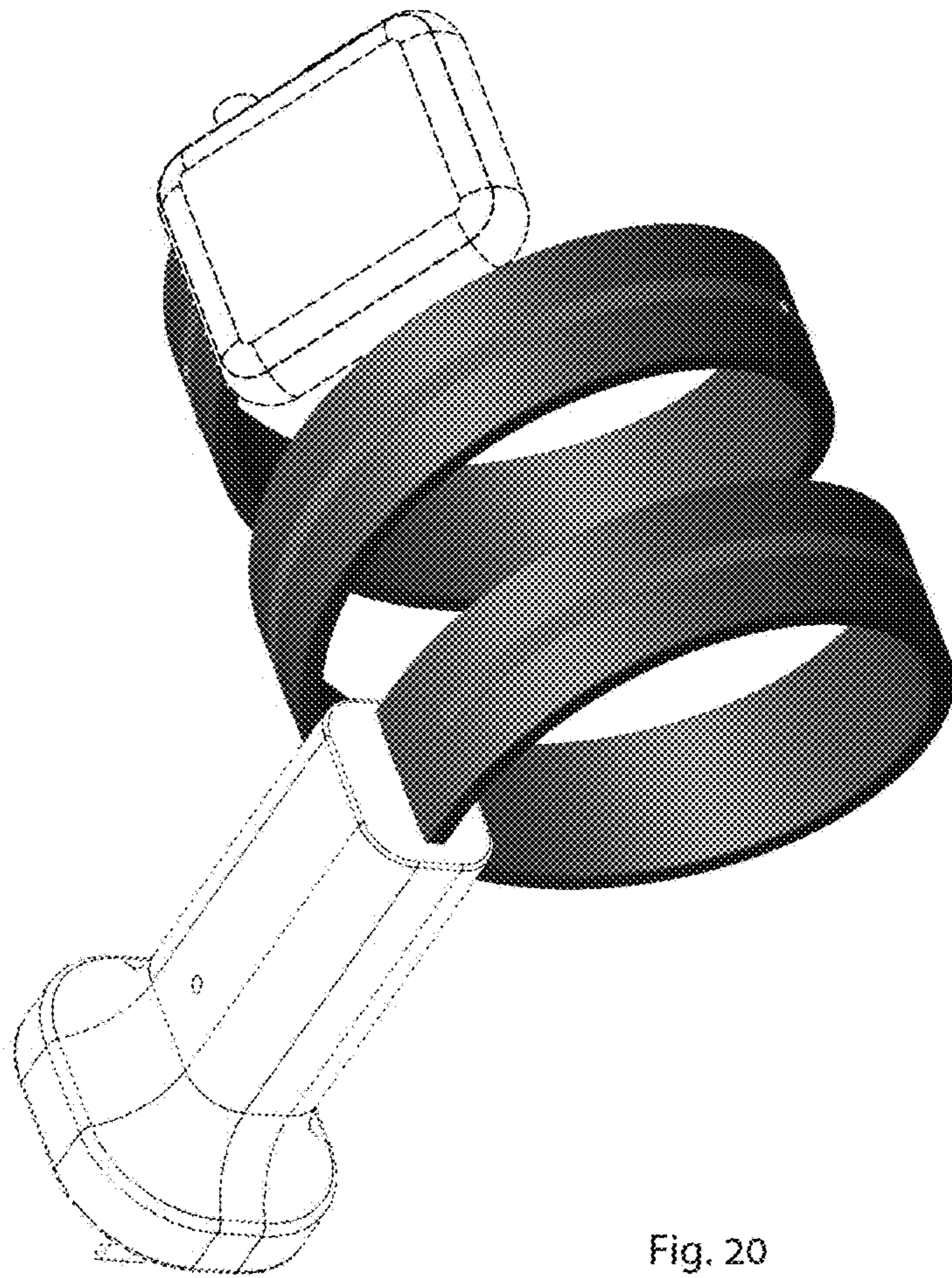


Fig. 20

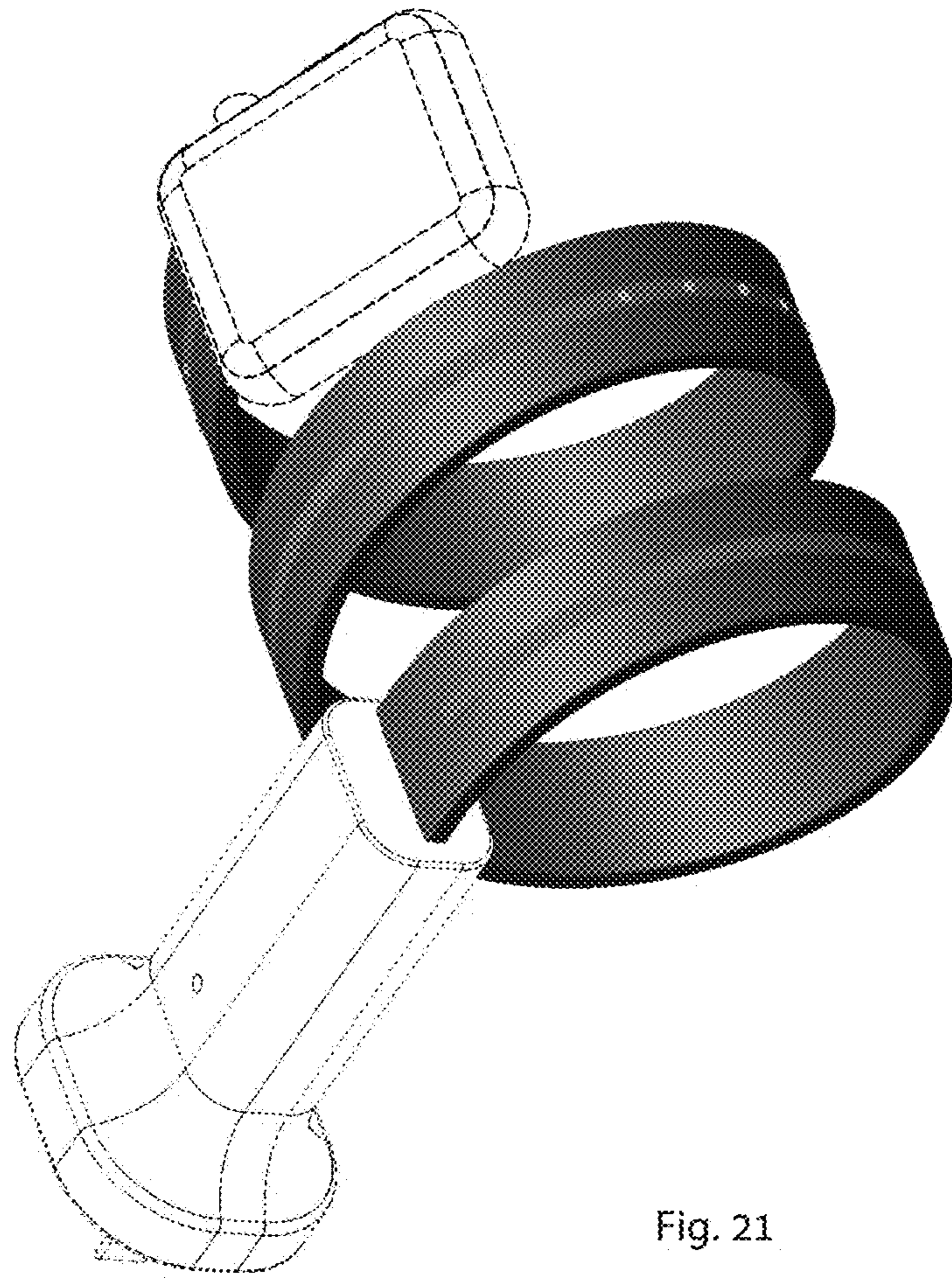


Fig. 21

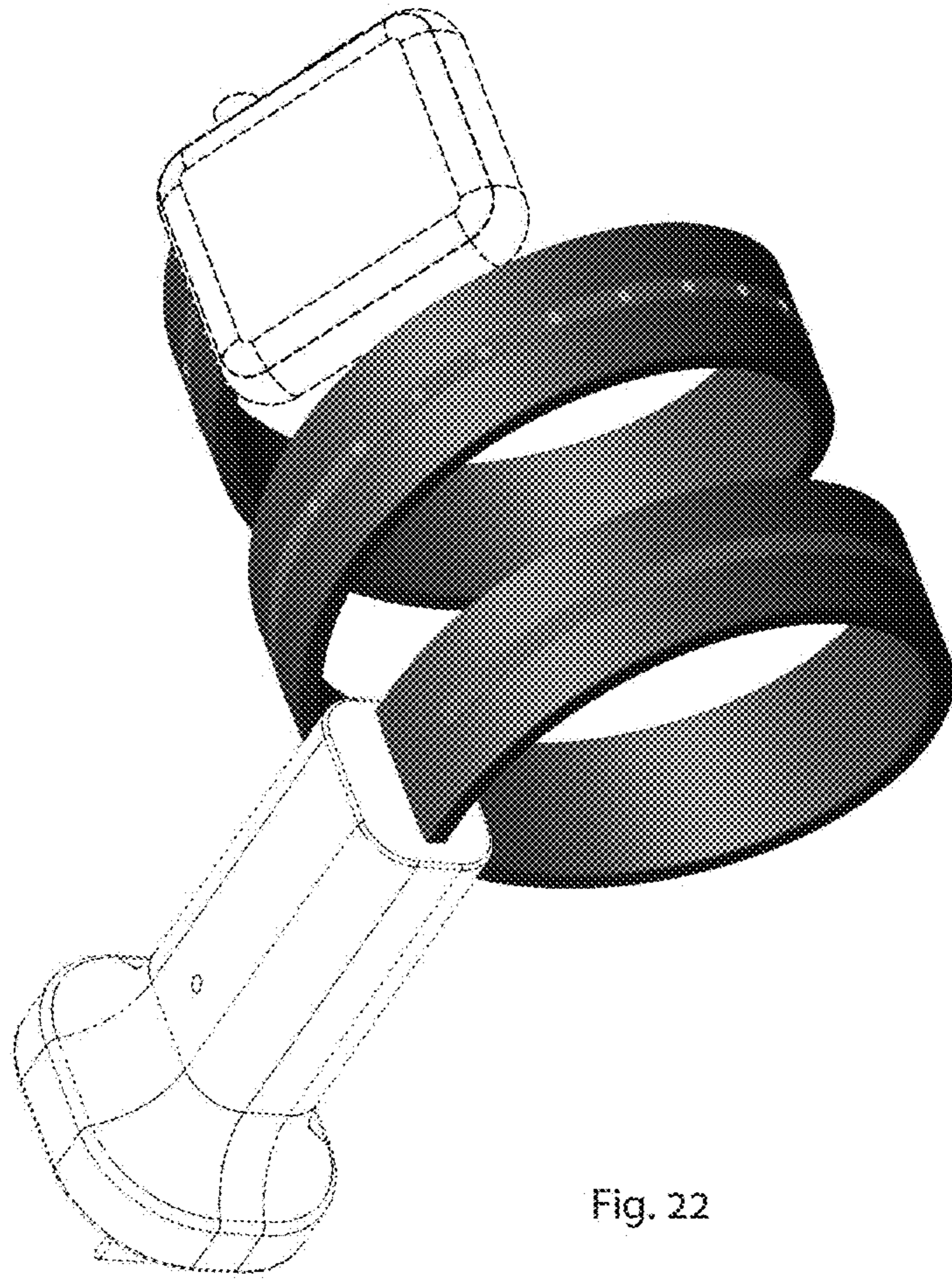


Fig. 22

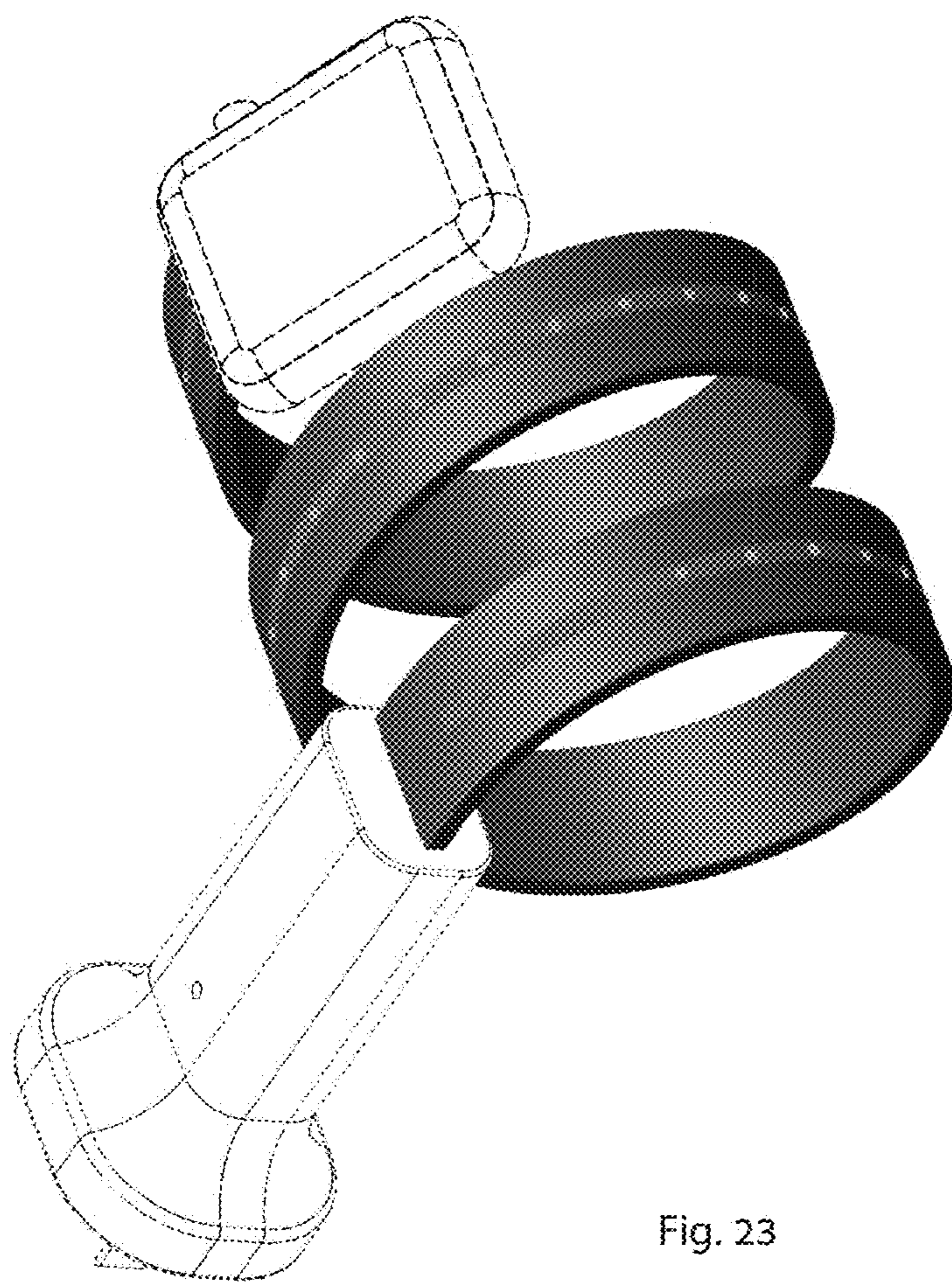


Fig. 23

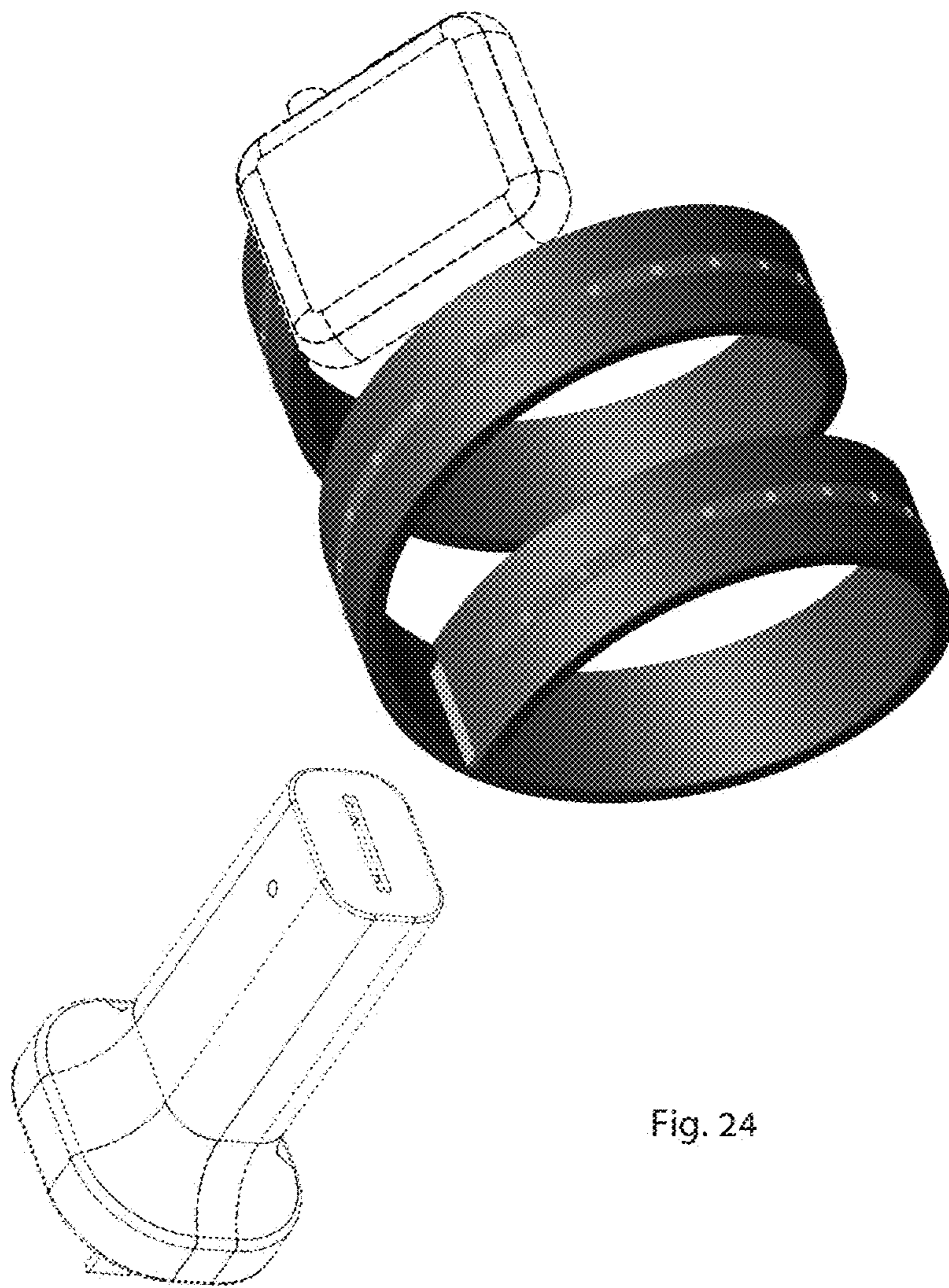


Fig. 24