



US00D871245S

(12) **United States Design Patent** (10) **Patent No.:** **US D871,245 S**
Arikawa et al. (45) **Date of Patent:** **** Dec. 31, 2019**

- (54) **FIRE DETECTOR**
- (71) Applicant: **Hochiki Corporation**, Tokyo (JP)
- (72) Inventors: **Masashi Arikawa**, Tokyo (JP); **Hayato Tsurumi**, Tokyo (JP)
- (73) Assignee: **Hochiki Corporation**, Tokyo (JP)
- (**) Term: **15 Years**
- (21) Appl. No.: **29/674,532**
- (22) Filed: **Dec. 21, 2018**

D651,926 S	1/2012	Akiyama et al.	
D811,919 S	3/2018	Kalyan	
D812,506 S	3/2018	Kalyan et al.	
D813,072 S *	3/2018	Kalyan	D10/106.5
D849,580 S *	5/2019	Arikawa	D10/106.5

FOREIGN PATENT DOCUMENTS

JP	D870916	6/1993
JP	1346466	12/2008
JP	1484719 S	11/2016

OTHER PUBLICATIONS

Notification of Refusal issued by the Korean Intellectual Property Office dated Sep. 27, 2018, in connection with International Registration No. DM/097381 (3 pages).

Notification of Refusal issued by the Korean Intellectual Property Office dated Nov. 25, 2018, in connection with International Registration No. DM/096912 (5 pages).

* cited by examiner

Primary Examiner — George D. Kirschbaum
(74) *Attorney, Agent, or Firm* — McCarter & English, LLP

Related U.S. Application Data

- (62) Division of application No. 35/504,130, filed on Jun. 15, 2017 (U.S. filing date under 35 U.S.C. 384), and having an international filing date of Dec. 21, 2018, now Pat. No. Des. 849,580.

Foreign Application Priority Data

Dec. 21, 2016 (JP) 2016-027652

- (51) **LOC (12) Cl.** **10-05**
- (52) **U.S. Cl.**
USPC **D10/106.5**
- (58) **Field of Classification Search**
USPC D10/106.2, 106.5
See application file for complete search history.

References Cited

U.S. PATENT DOCUMENTS

D316,828 S	5/1991	Otmemiya et al.	
D435,800 S *	1/2001	Higashi	D10/106.5
D450,008 S	11/2001	Sakurai et al.	
D475,312 S	6/2003	Runciman	
D475,943 S	6/2003	Runciman	
D476,252 S	6/2003	Runciman	
D485,200 S *	1/2004	Berthold	D10/106.5

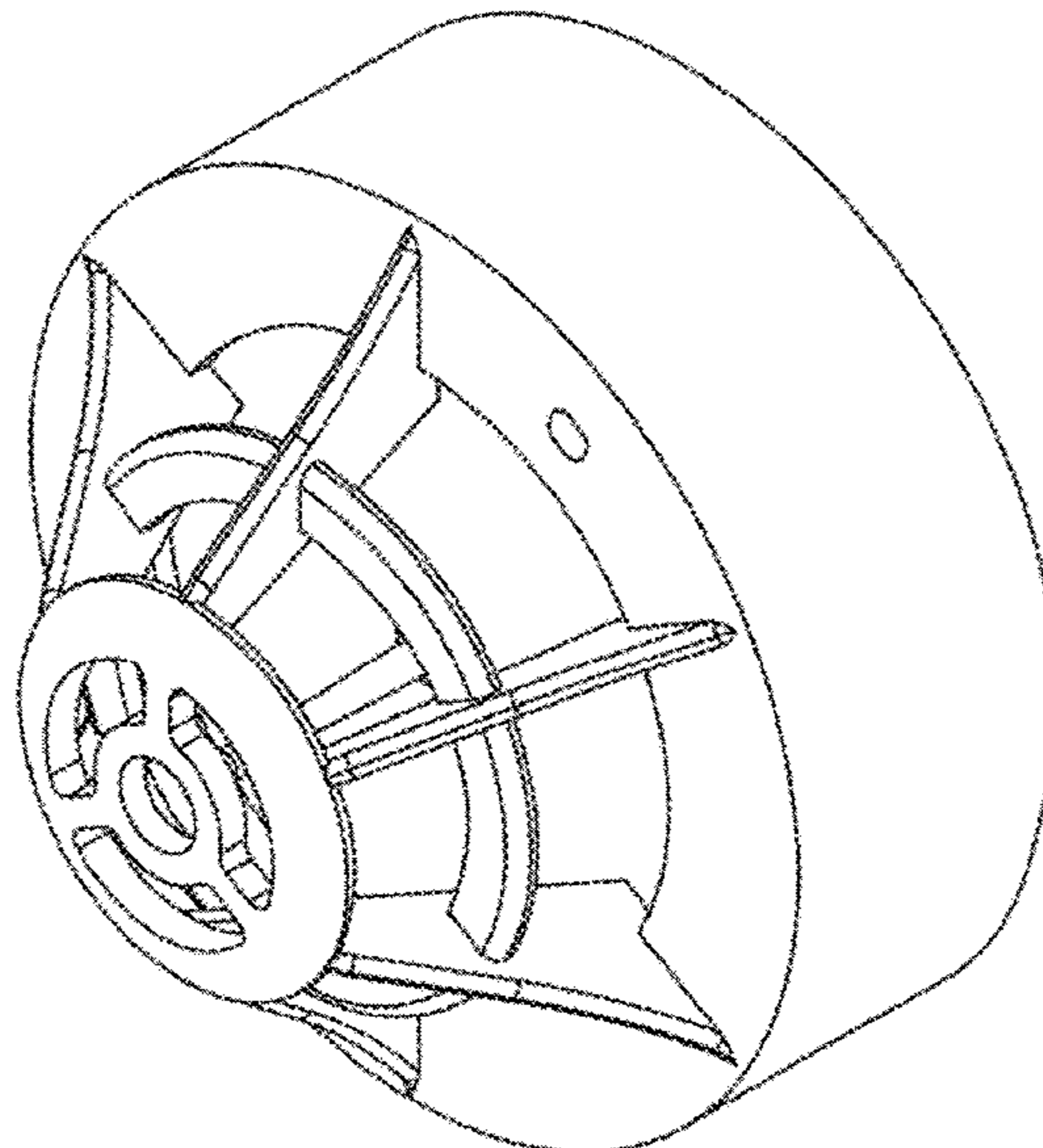
(57) **CLAIM**

The ornamental design for a fire detector, as shown and described.

DESCRIPTION

FIG. 1 is a perspective view of a fire detector as shown and described;
FIG. 2 is a front view thereof;
FIG. 3 is a top view thereof;
FIG. 4 is a bottom view thereof;
FIG. 5 is a back view thereof;
FIG. 6 is a right view thereof; and,
FIG. 7 is a left view thereof.

1 Claim, 7 Drawing Sheets



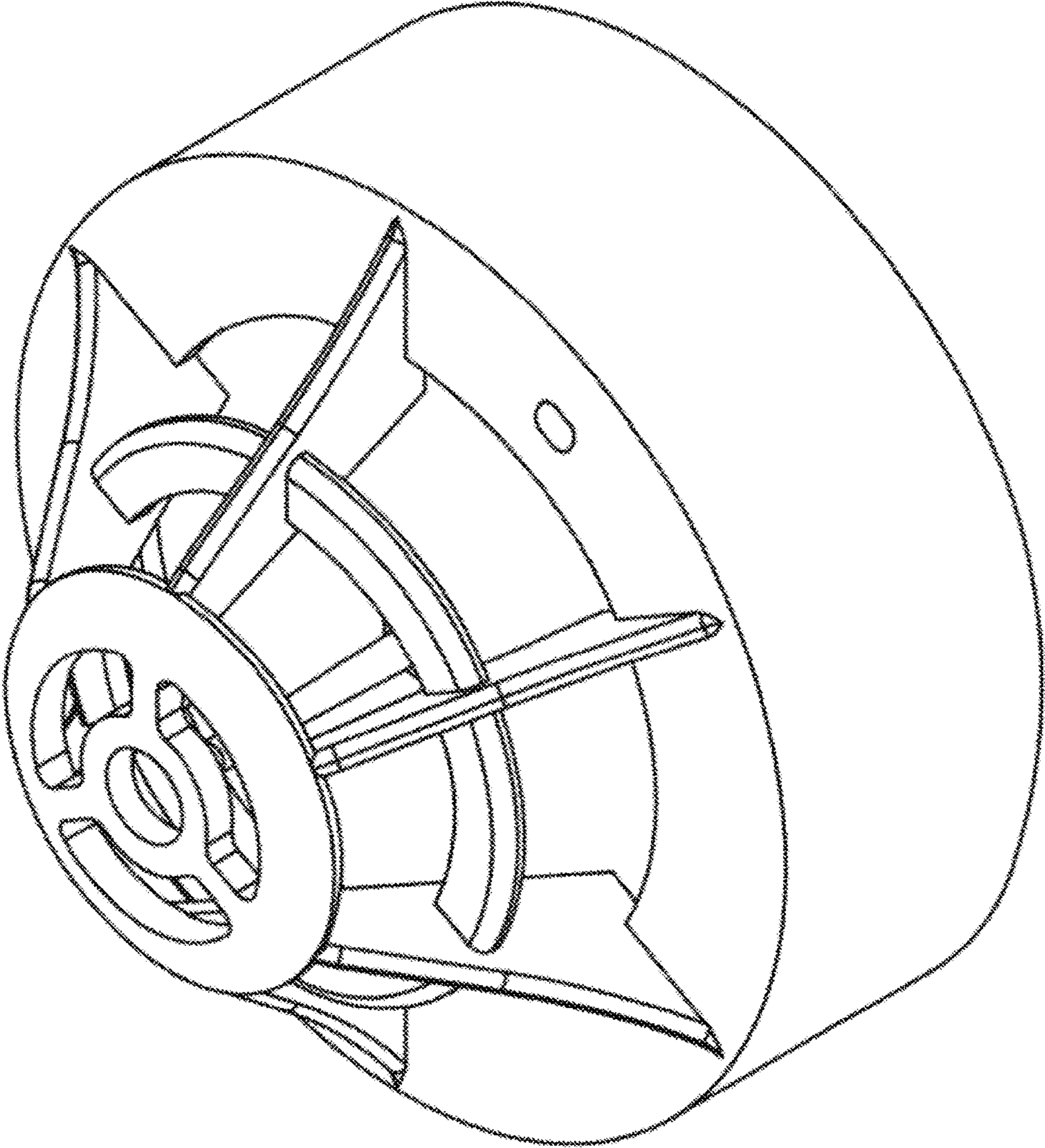


FIG. 1

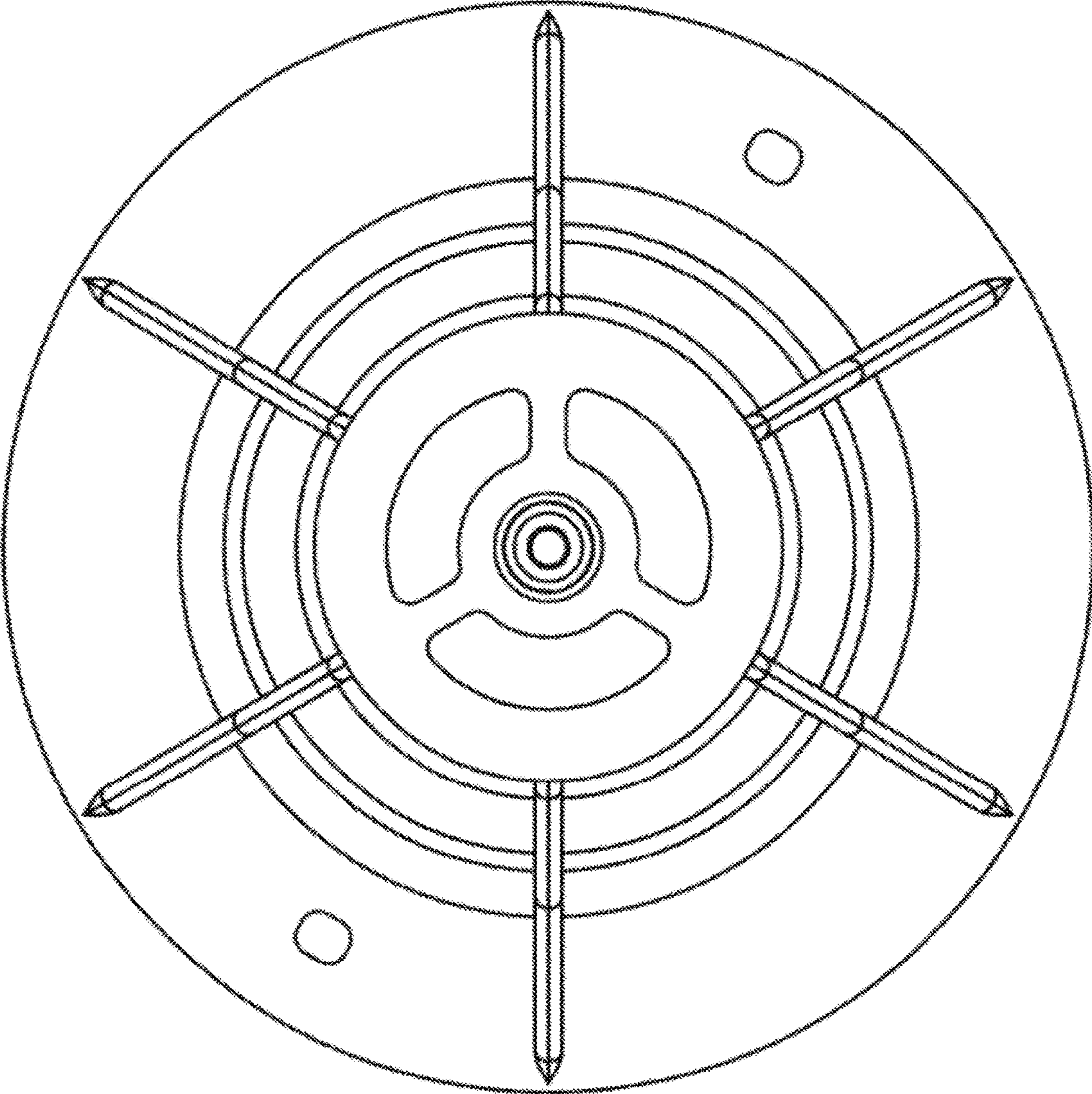


FIG. 2

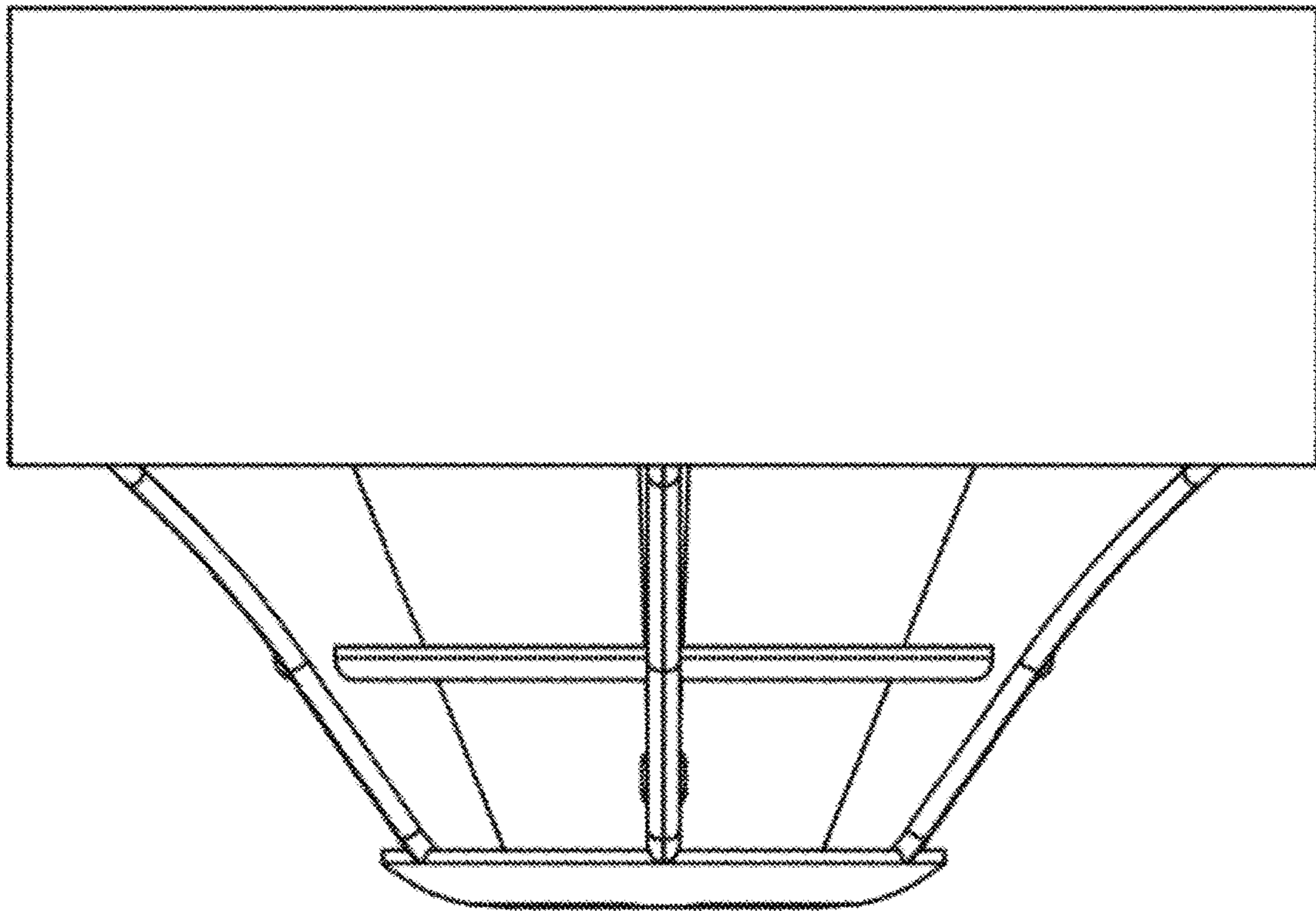


FIG. 3

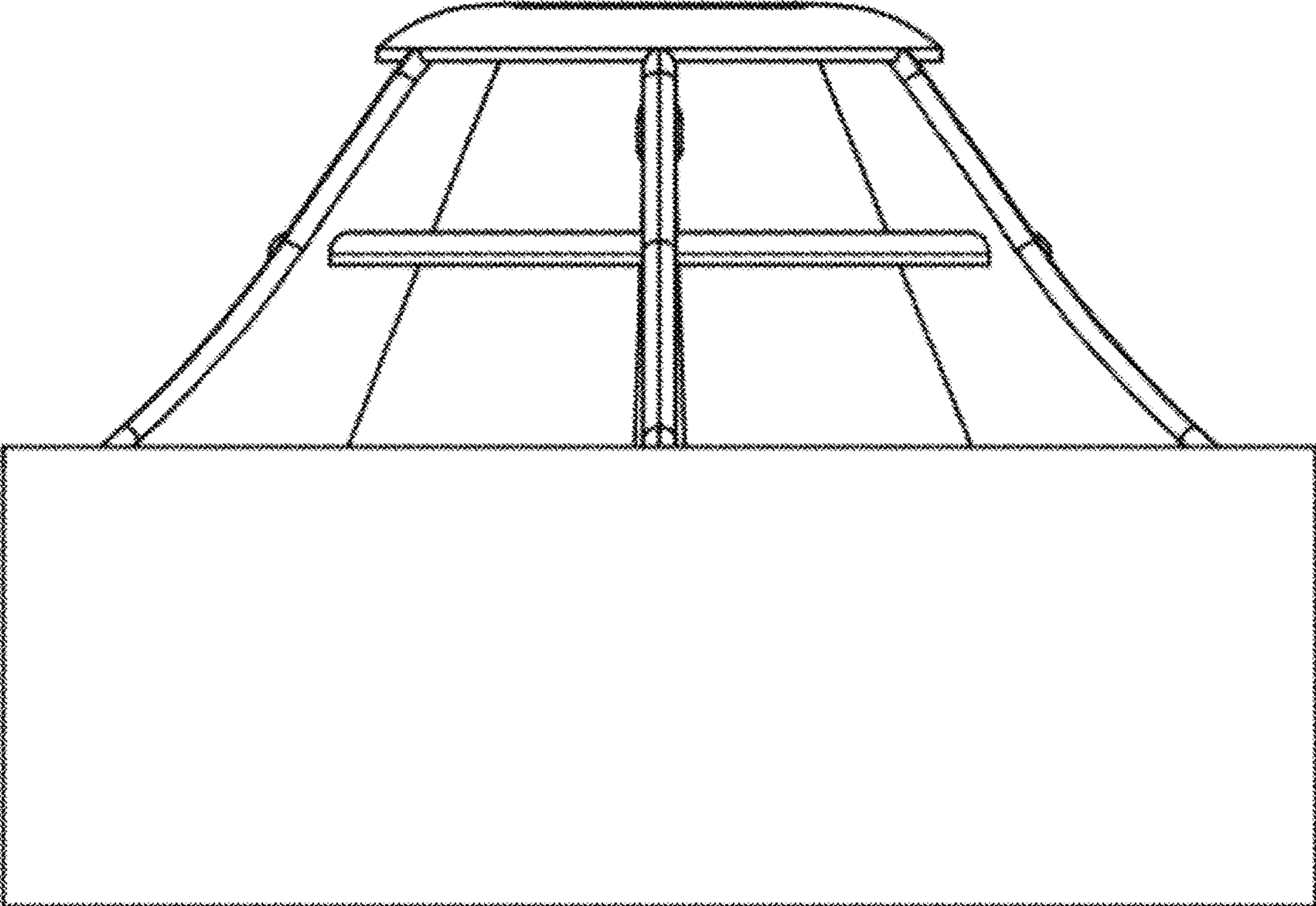


FIG. 4

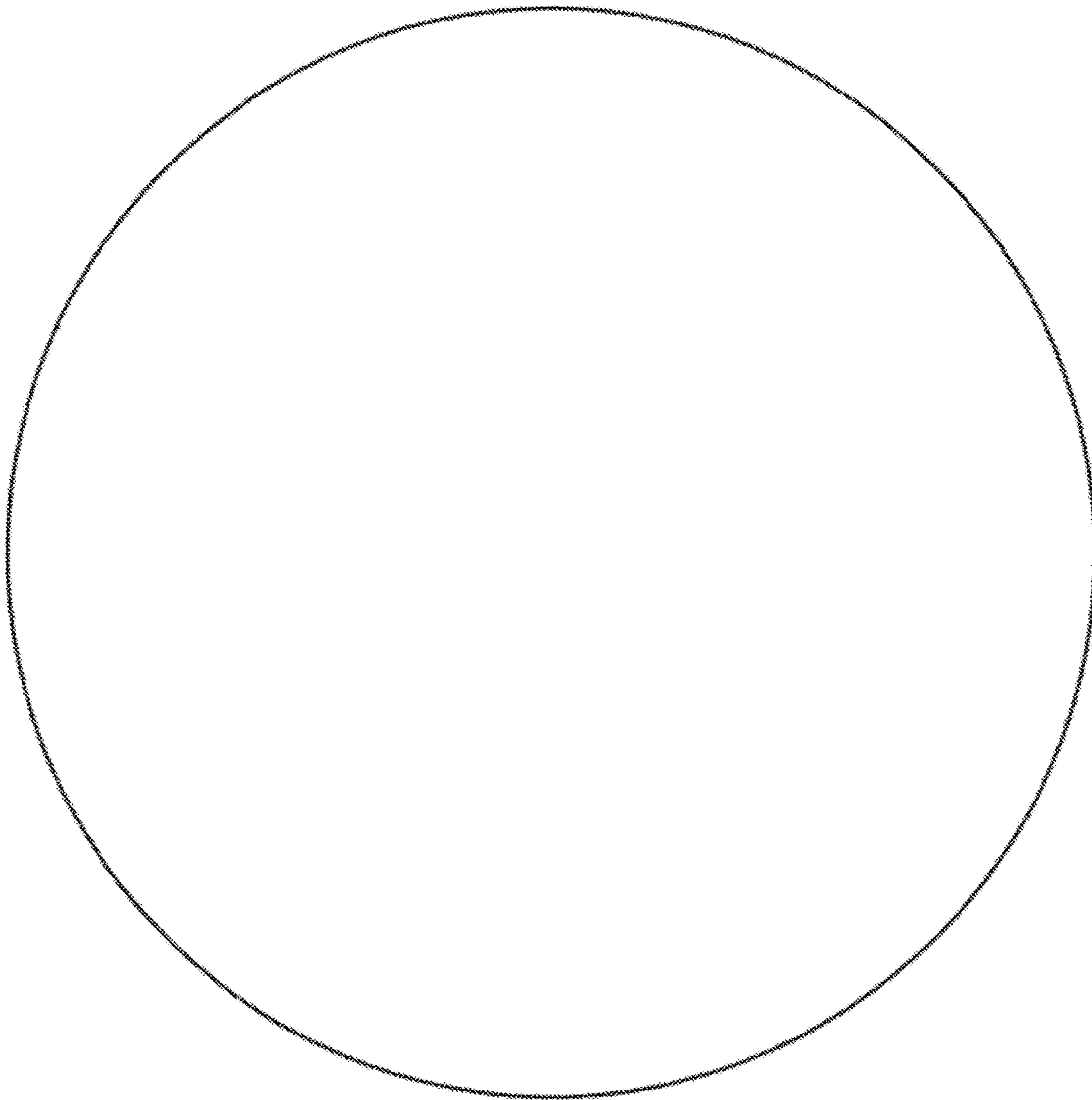


FIG. 5

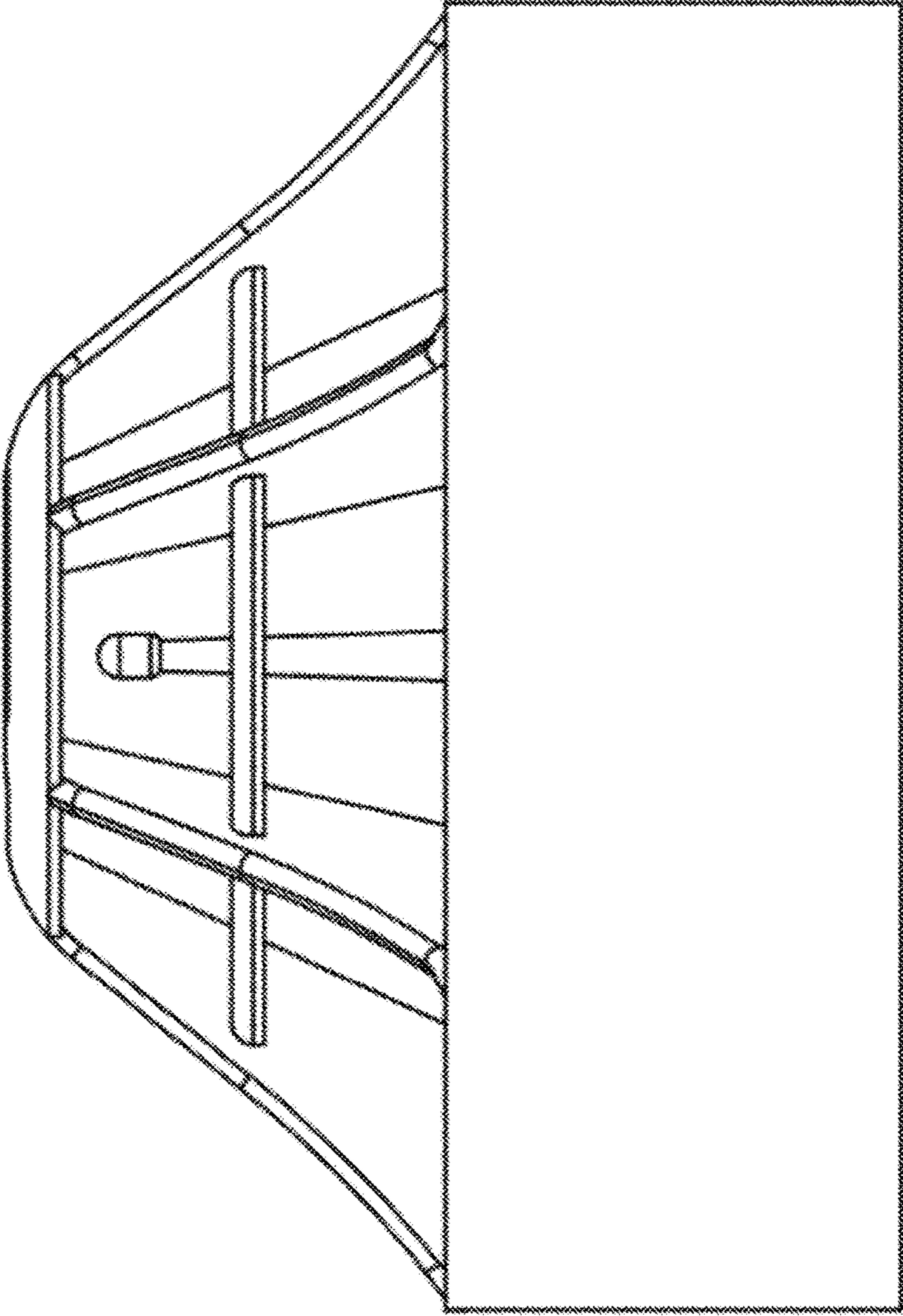


FIG. 6

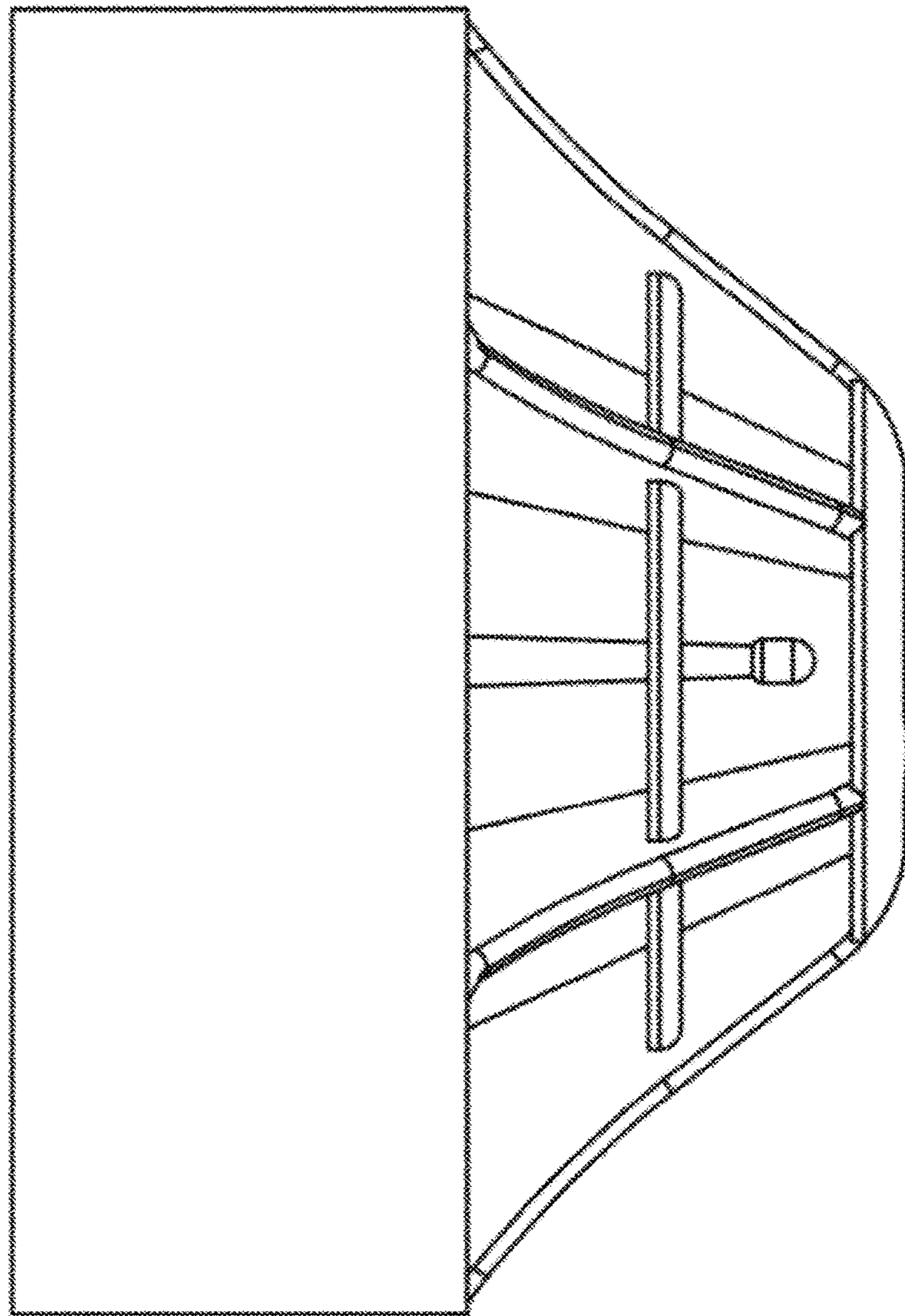


FIG. 7