



US00D871244S

(12) **United States Design Patent**  
**Sebastiano**

(10) **Patent No.:** **US D871,244 S**

(45) **Date of Patent:** **\*\* Dec. 31, 2019**

(54) **ITEM COUNTER**

(71) Applicant: **Tony Sebastiano**, Port Clinton, OH  
(US)

(72) Inventor: **Tony Sebastiano**, Port Clinton, OH  
(US)

(\*\*) Term: **15 Years**

(21) Appl. No.: **29/659,445**

(22) Filed: **Aug. 9, 2018**

(51) **LOC (12) Cl.** ..... **10-04**

(52) **U.S. Cl.**  
USPC ..... **D10/97**

(58) **Field of Classification Search**  
USPC ..... D10/97  
CPC ..... G06M 1/02; G06M 7/00  
See application file for complete search history.

(56) **References Cited**

**U.S. PATENT DOCUMENTS**

- 2,160,436 A \* 5/1939 Jones ..... A01K 97/04  
43/55
- D337,539 S \* 7/1993 Leamon ..... B65B 5/103  
D10/97

- 5,587,572 A \* 12/1996 Kirby ..... B65B 5/103  
235/98 R
- D426,563 S \* 6/2000 Yang ..... D10/97
- 2013/0082114 A1 \* 4/2013 Sebastiano ..... G06M 1/02  
235/61 R

\* cited by examiner

*Primary Examiner* — Antoine Duval Davis  
(74) *Attorney, Agent, or Firm* — Shumaker, Loop & Kendrick, LLP; Michael E. Dockins

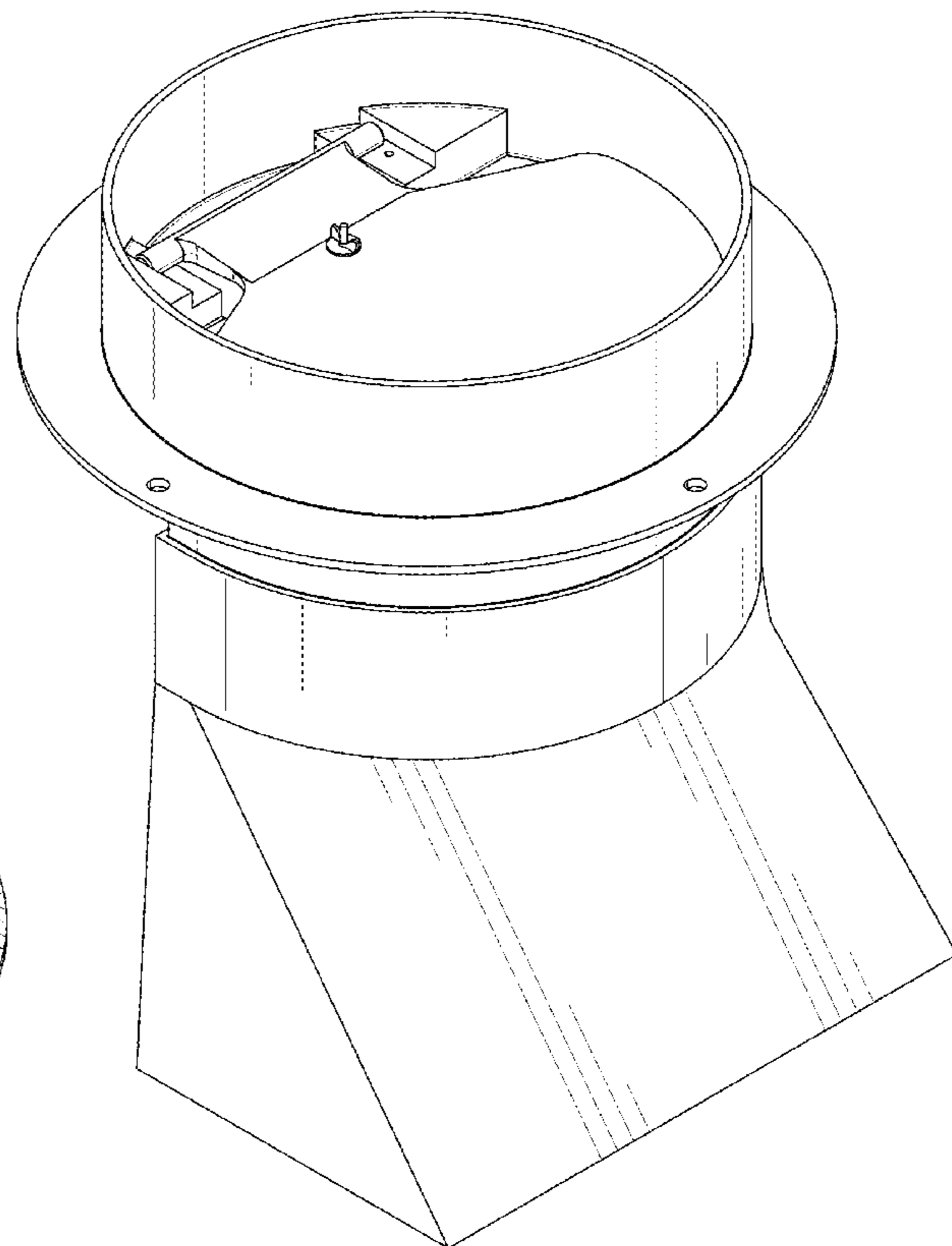
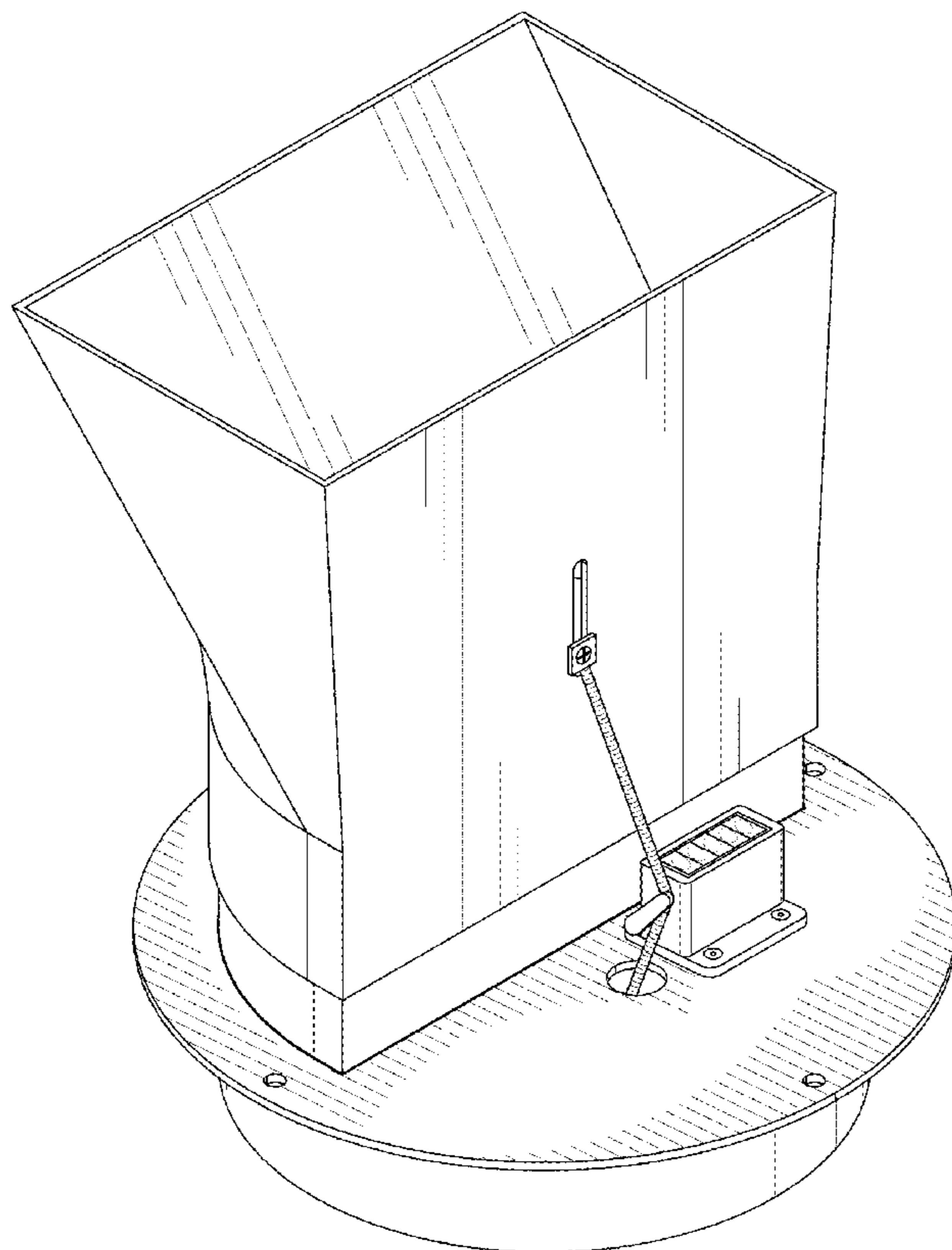
(57) **CLAIM**

The ornamental design for an item counter, as shown and described.

**DESCRIPTION**

FIG. 1 is a perspective view of an item counter;  
 FIG. 2 is second perspective view thereof;  
 FIG. 3 is a rear elevational view thereof;  
 FIG. 4 is a front elevational view thereof;  
 FIG. 5 is a top plan view thereof;  
 FIG. 6 is a bottom plan view thereof;  
 FIG. 7 is a right-side elevational view thereof; and,  
 FIG. 8 is a left-side elevational view thereof.  
 The ornamental design which is claimed is shown in solid lines in the drawings. Features shown in broken lines are presented for illustrative purposes and form no part of the claimed design.

**1 Claim, 5 Drawing Sheets**



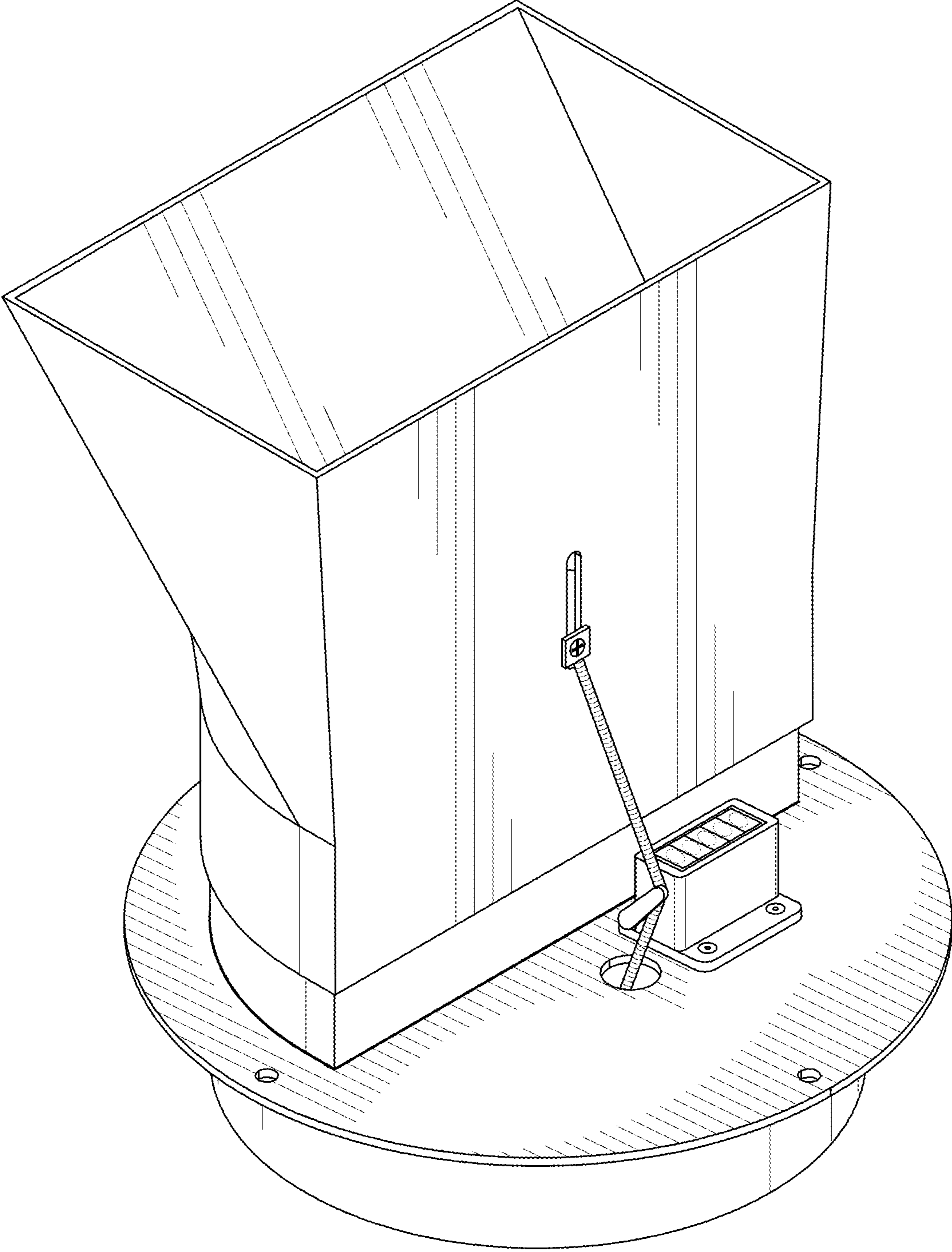


FIG. 1

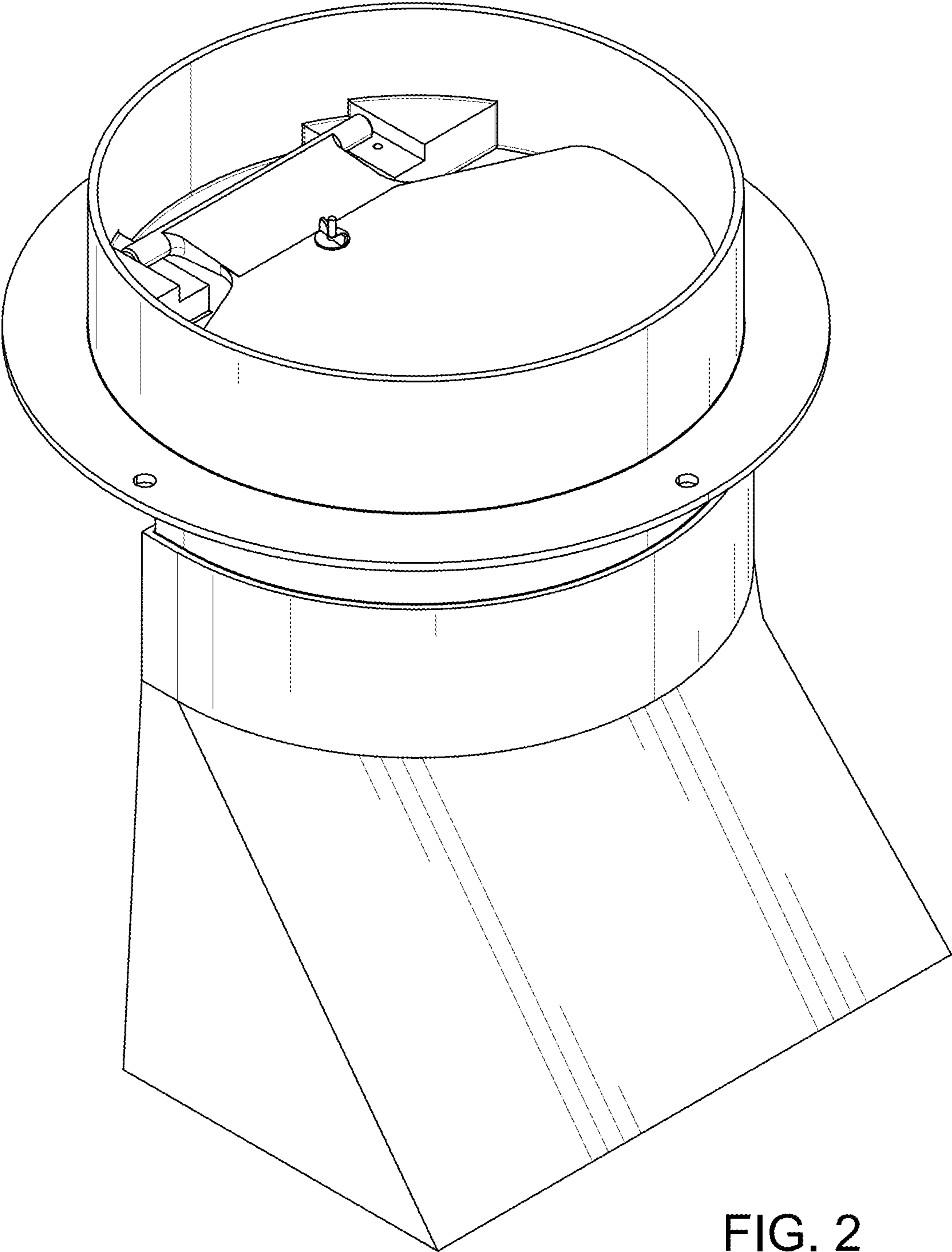


FIG. 2

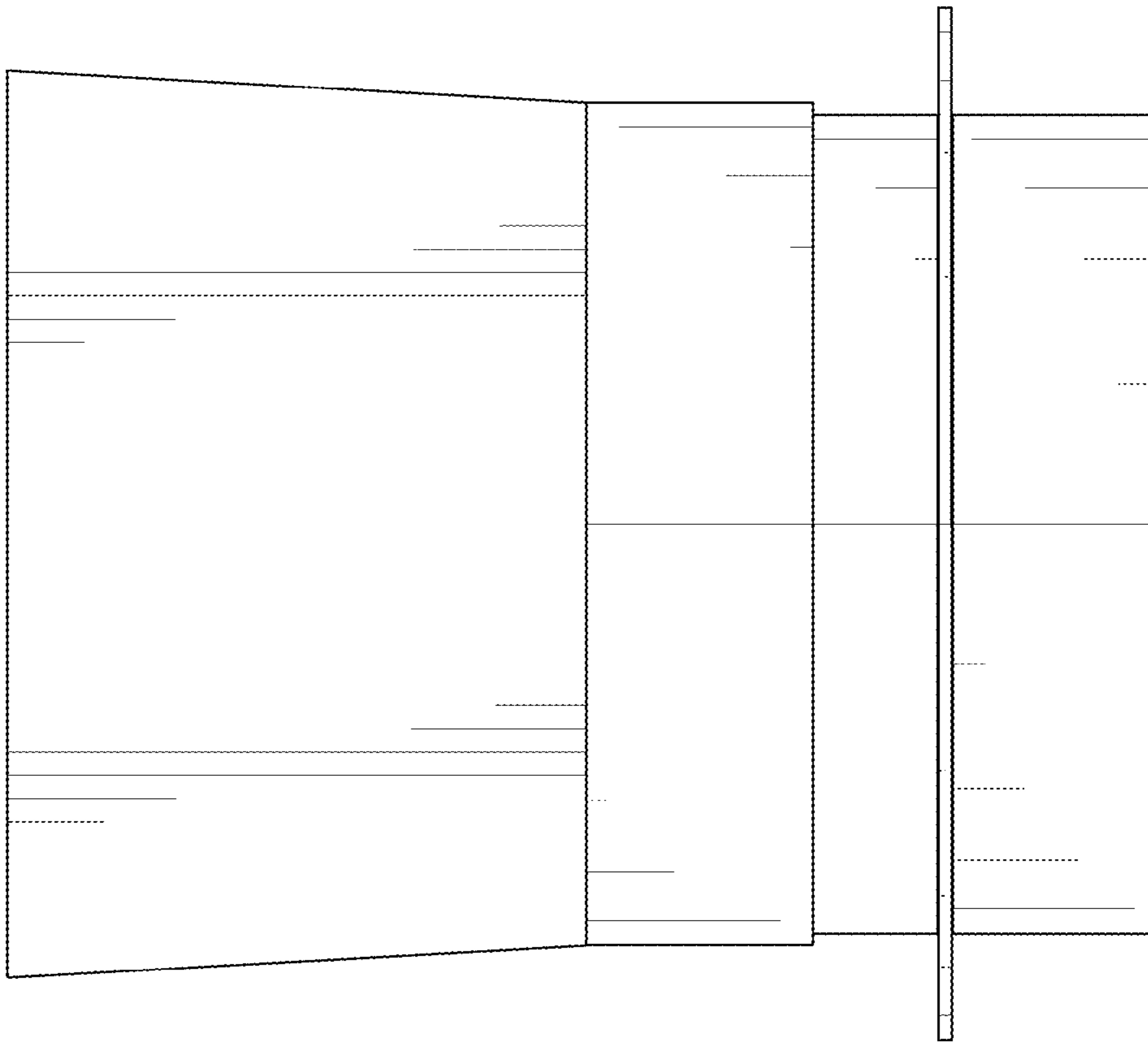


FIG. 4

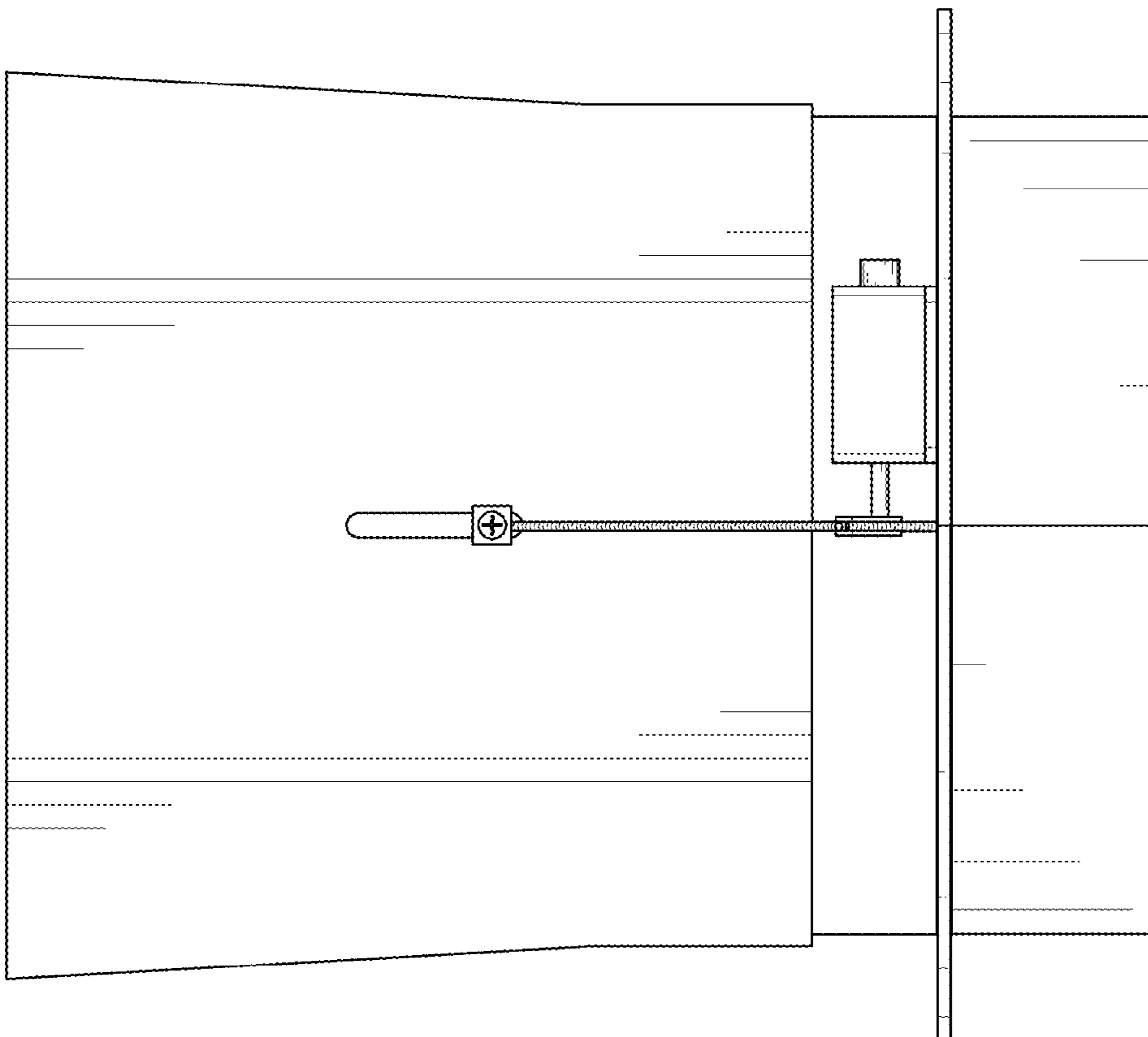


FIG. 3

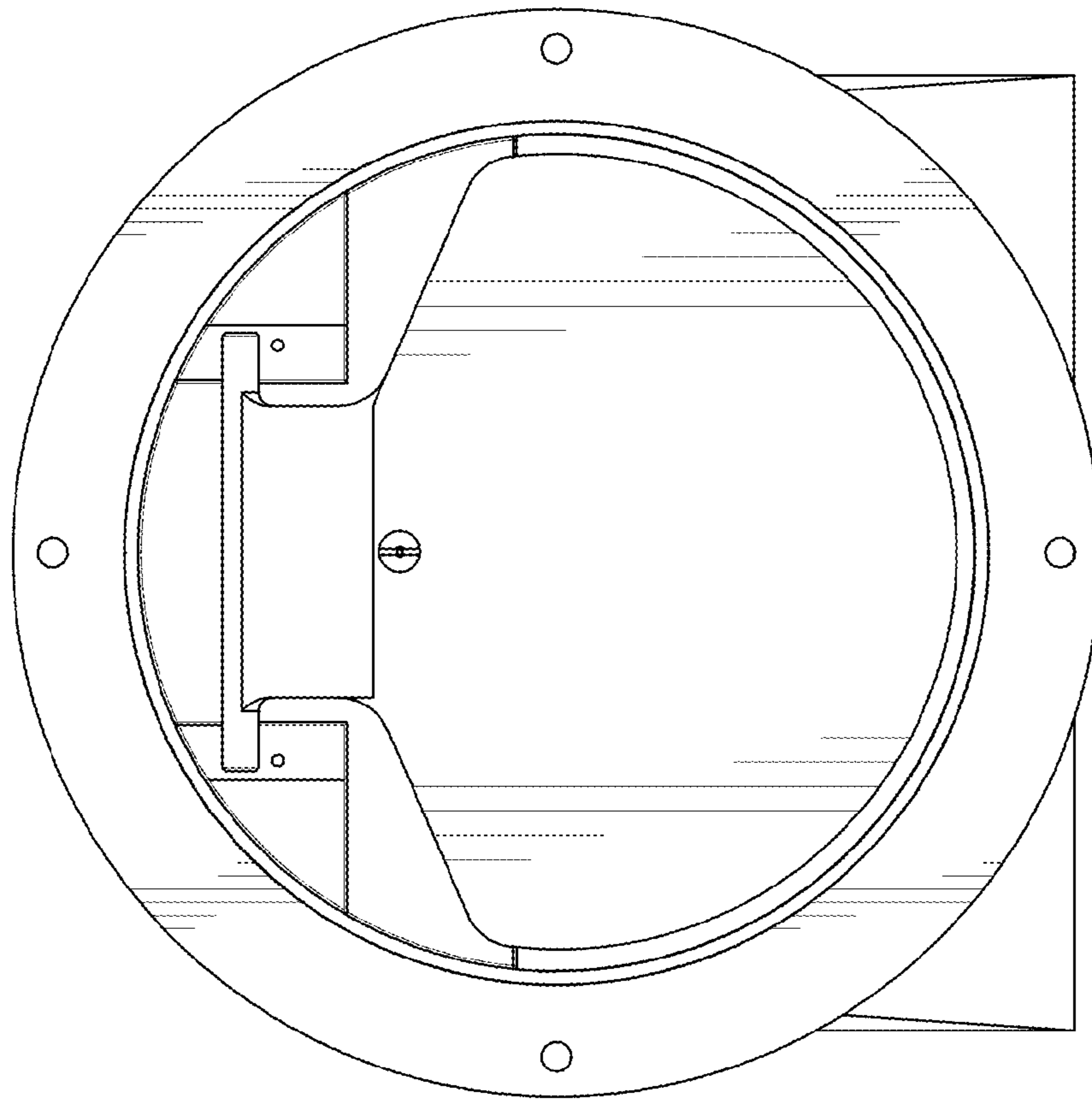


FIG. 6

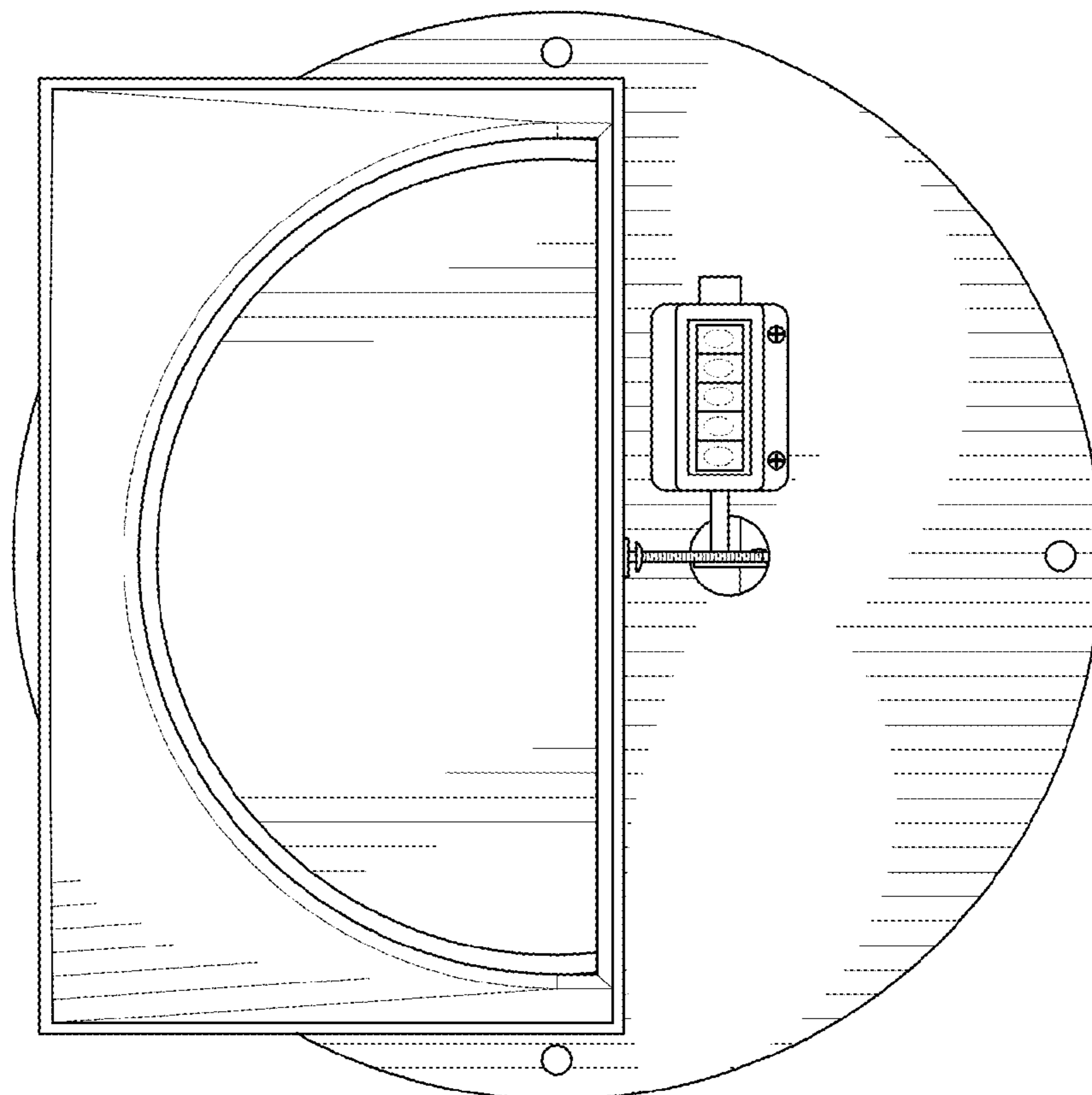


FIG. 5

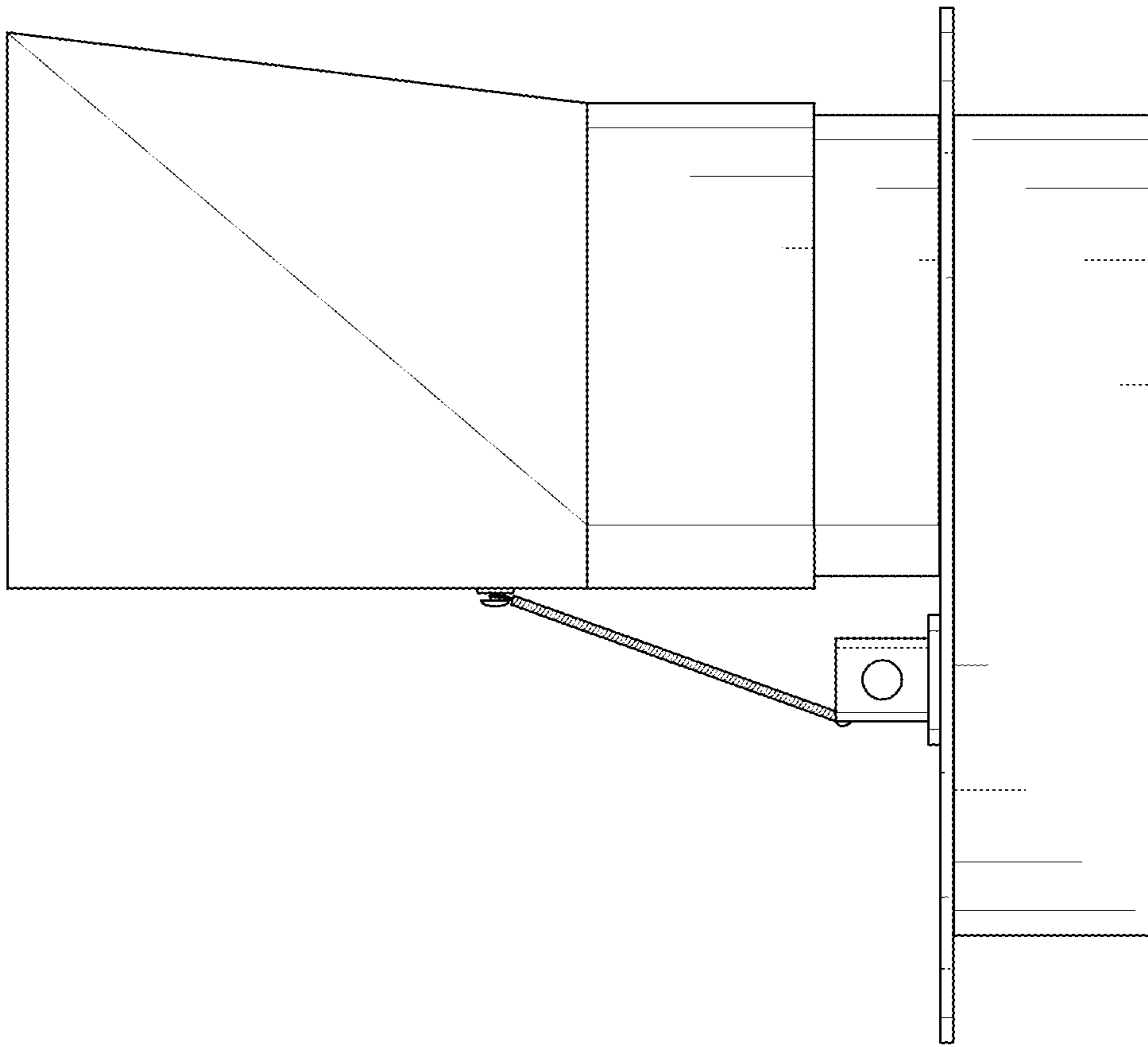


FIG. 7

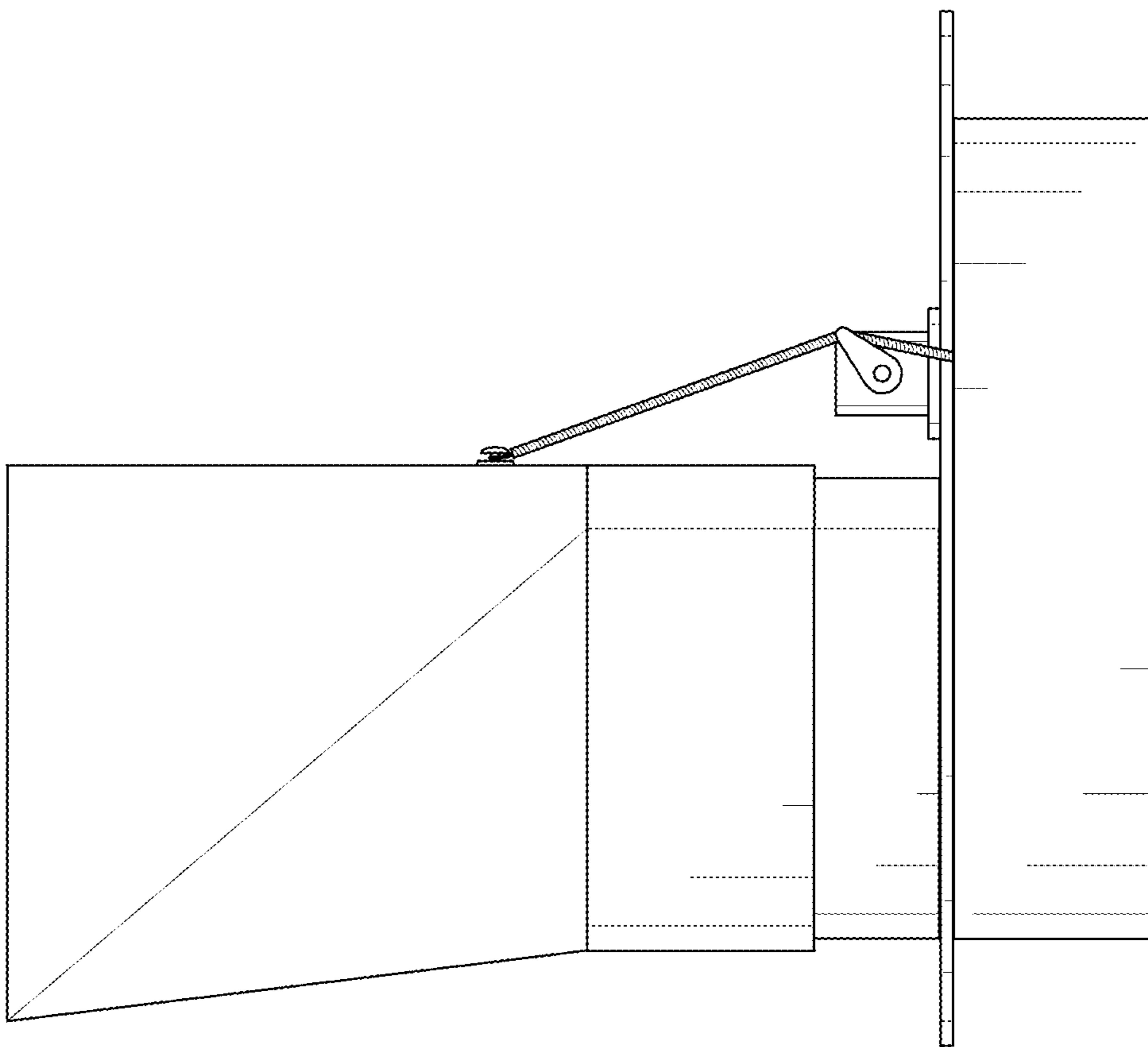


FIG. 8