



US00D871243S

(12) **United States Design Patent**  
**Xiong**

(10) **Patent No.:** **US D871,243 S**

(45) **Date of Patent:** **\*\* Dec. 31, 2019**

(54) **TIRE PRESSURE MONITOR**

D599,689 S \* 9/2009 Chen ..... D10/86  
D808,834 S \* 1/2018 Chen ..... D10/86  
D813,066 S \* 3/2018 Jin ..... D10/86

(71) Applicant: **Shenzhen Shenyongtong Industrial Co., Ltd.**, Guangdong (CN)

\* cited by examiner

(72) Inventor: **Bing Fei Xiong**, Guangdong (CN)

*Primary Examiner* — Antoine Duval Davis

(\*\*) Term: **15 Years**

(74) *Attorney, Agent, or Firm* — Prakash Nama; Global IP Services, PLLC

(21) Appl. No.: **29/660,608**

(22) Filed: **Aug. 22, 2018**

(57) **CLAIM**

(30) **Foreign Application Priority Data**

Mar. 16, 2018 (CN) ..... 2018 3 0098066

The ornamental design for a tire pressure monitor, as shown and described.

(51) **LOC (12) Cl.** ..... **10-04**

(52) **U.S. Cl.**  
USPC ..... **D10/86**

**DESCRIPTION**

(58) **Field of Classification Search**  
USPC ..... D10/86  
CPC . B60C 23/0408; B60C 23/0494; G01L 7/043;  
G01L 7/00-7/24; G01L 13/00-13/06;  
G01L 15/00; G01L 17/00-17/005; G01L  
19/00-19/16; G01L 23/00-23/32; G01L  
27/00-23/02; G05D 16/00-16/2093;  
G05D 7/00-7/0694; G05D 11/00-11/16;  
G05D 13/00-13/66; G05D 23/00-23/32  
See application file for complete search history.

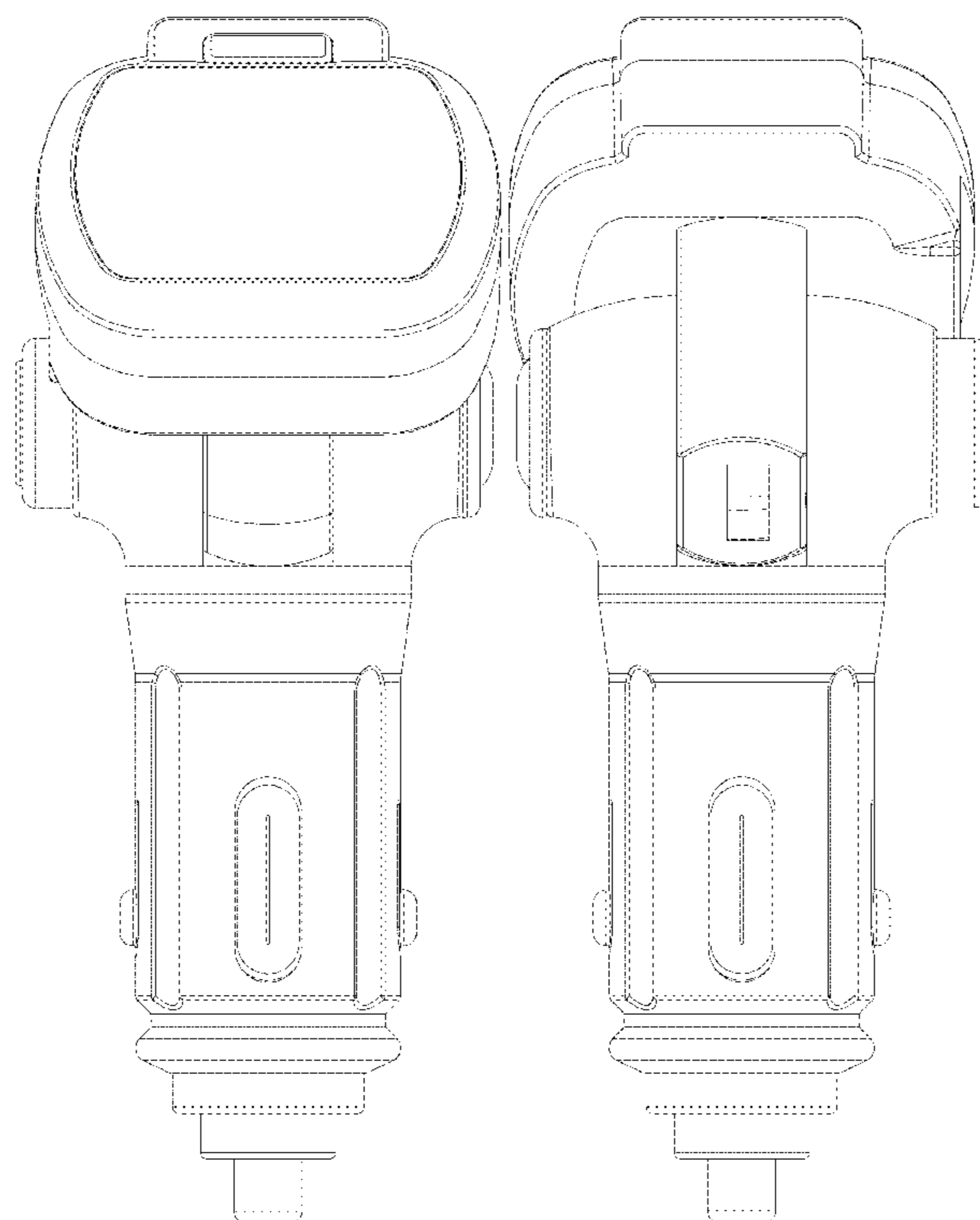
FIG. 1 is a front elevational view of a tire pressure monitor showing my new design;  
FIG. 2 is a rear elevational view thereof;  
FIG. 3 is a left side view thereof;  
FIG. 4 is a right side view thereof;  
FIG. 5 is a top plan view thereof;  
FIG. 6 is a bottom plan view thereof;  
FIG. 7 is a perspective view thereof; and,  
FIG. 8 is another is a perspective view thereof.  
The broken lines shown in tire pressure monitor form no part of the claimed design.

(56) **References Cited**

U.S. PATENT DOCUMENTS

D573,052 S \* 7/2008 Chen ..... D10/86  
D596,970 S \* 7/2009 Petrucelli ..... D10/86

**1 Claim, 7 Drawing Sheets**



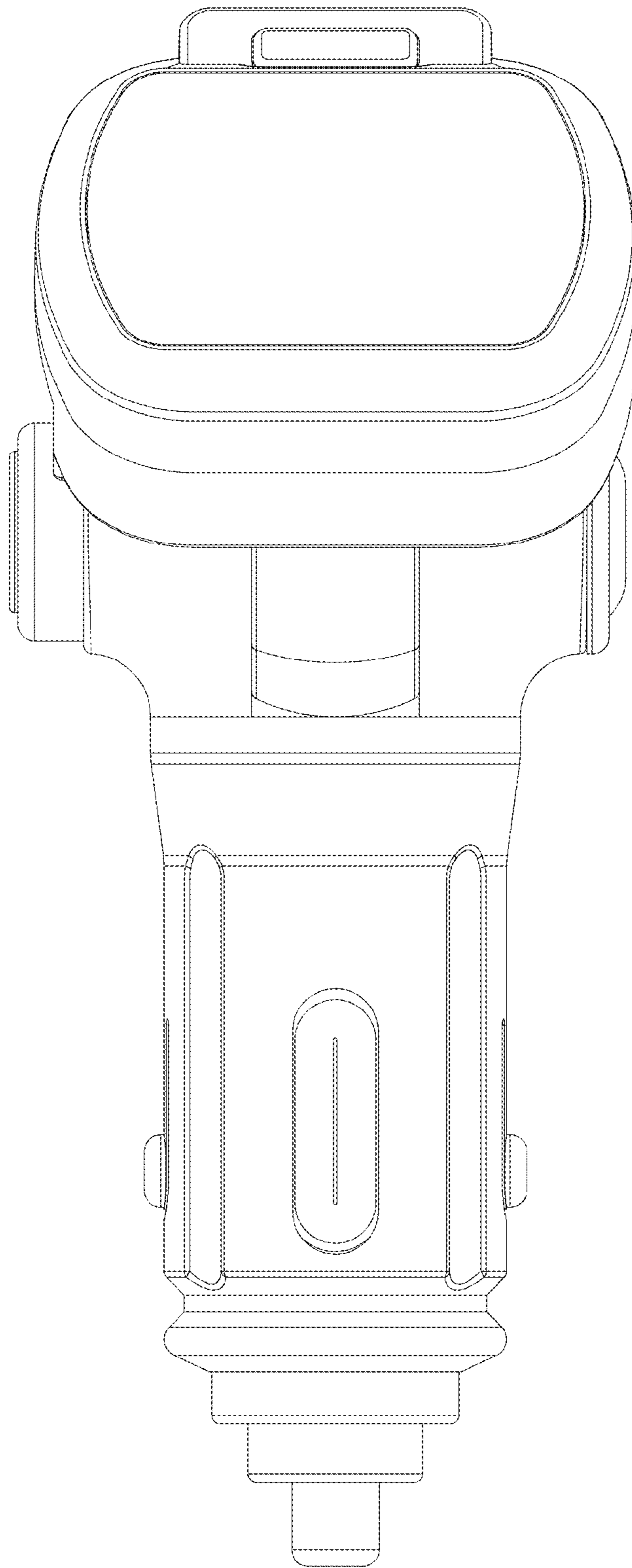


Fig. 1

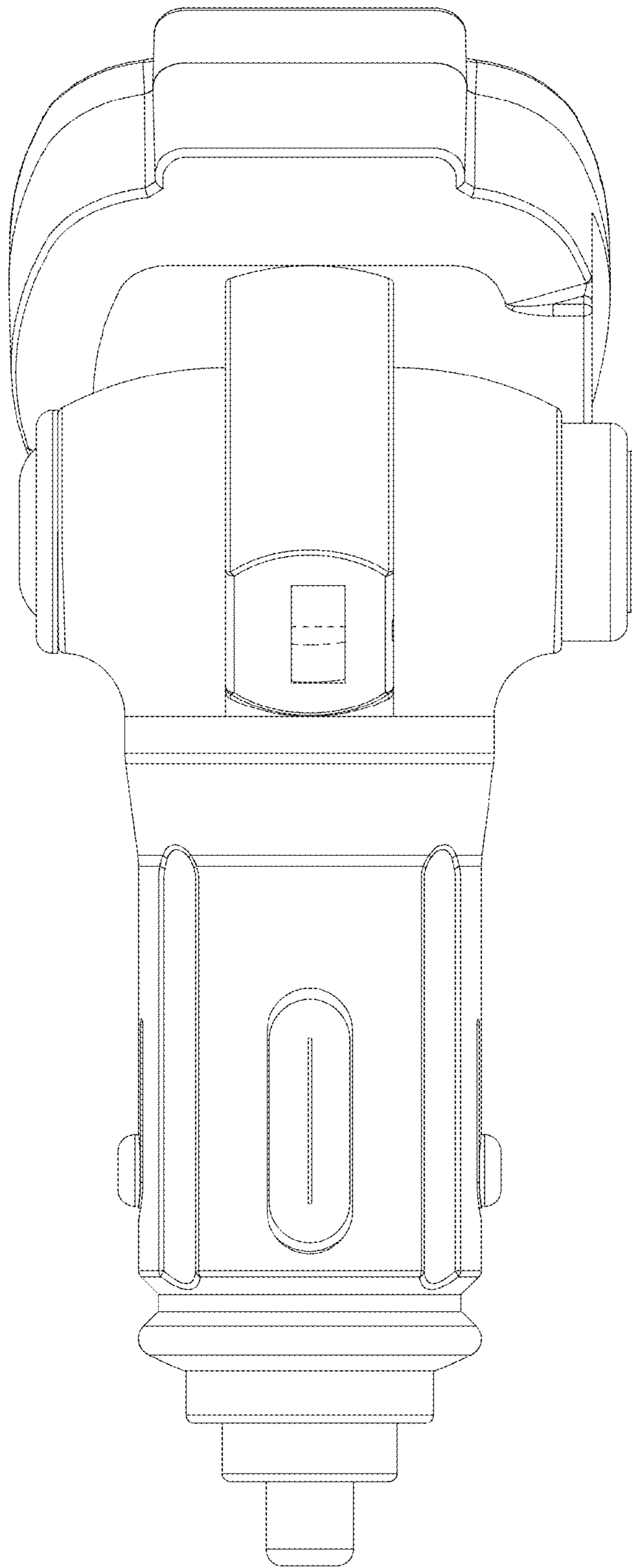


Fig. 2

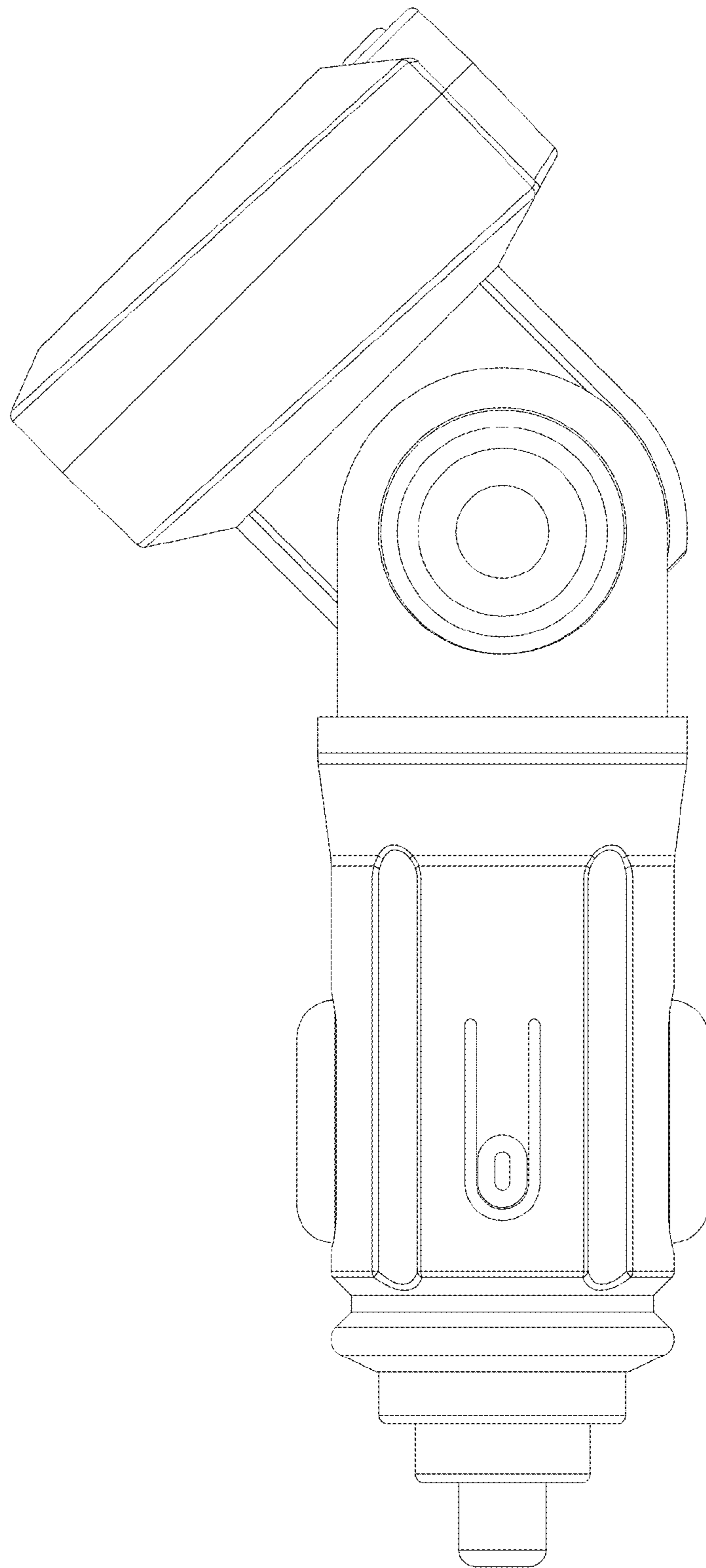


Fig. 3

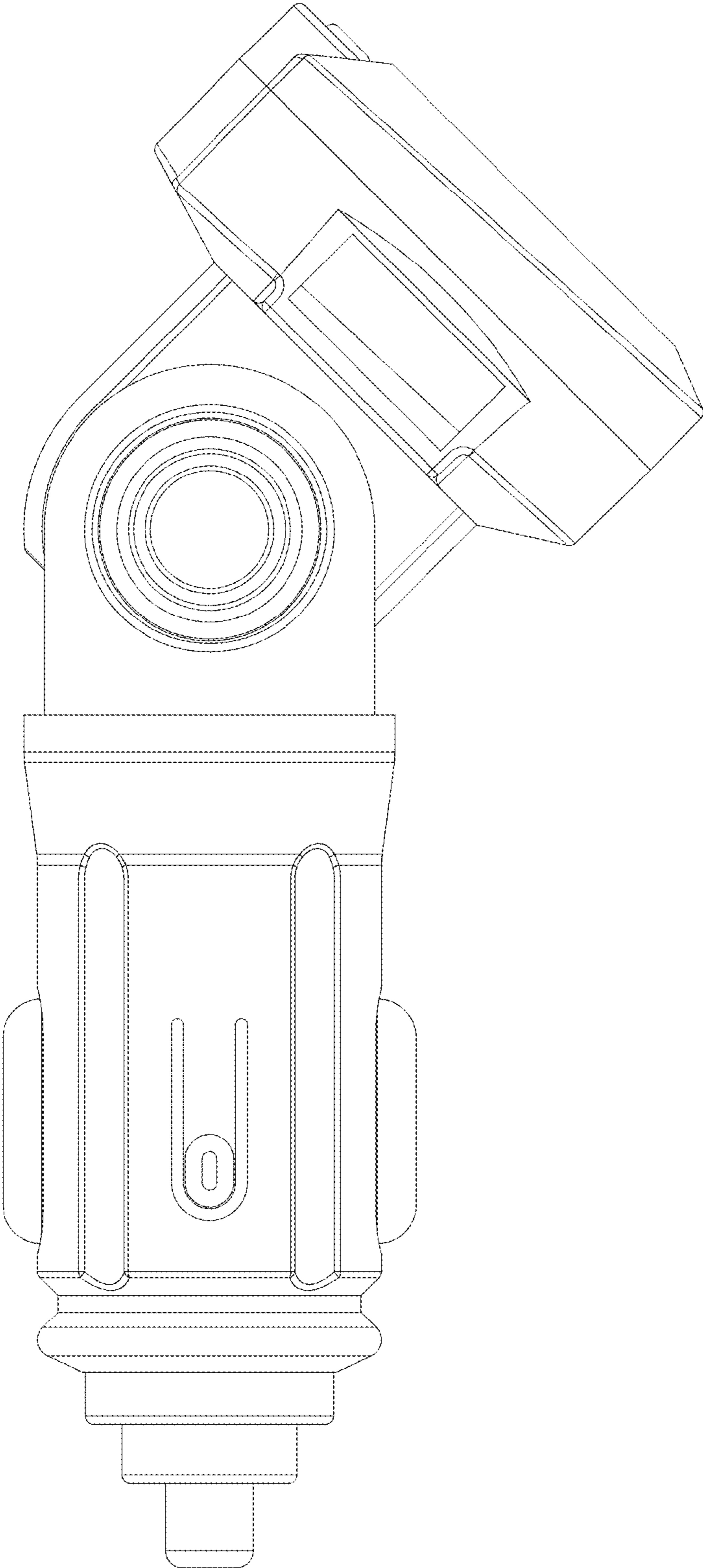


Fig. 4



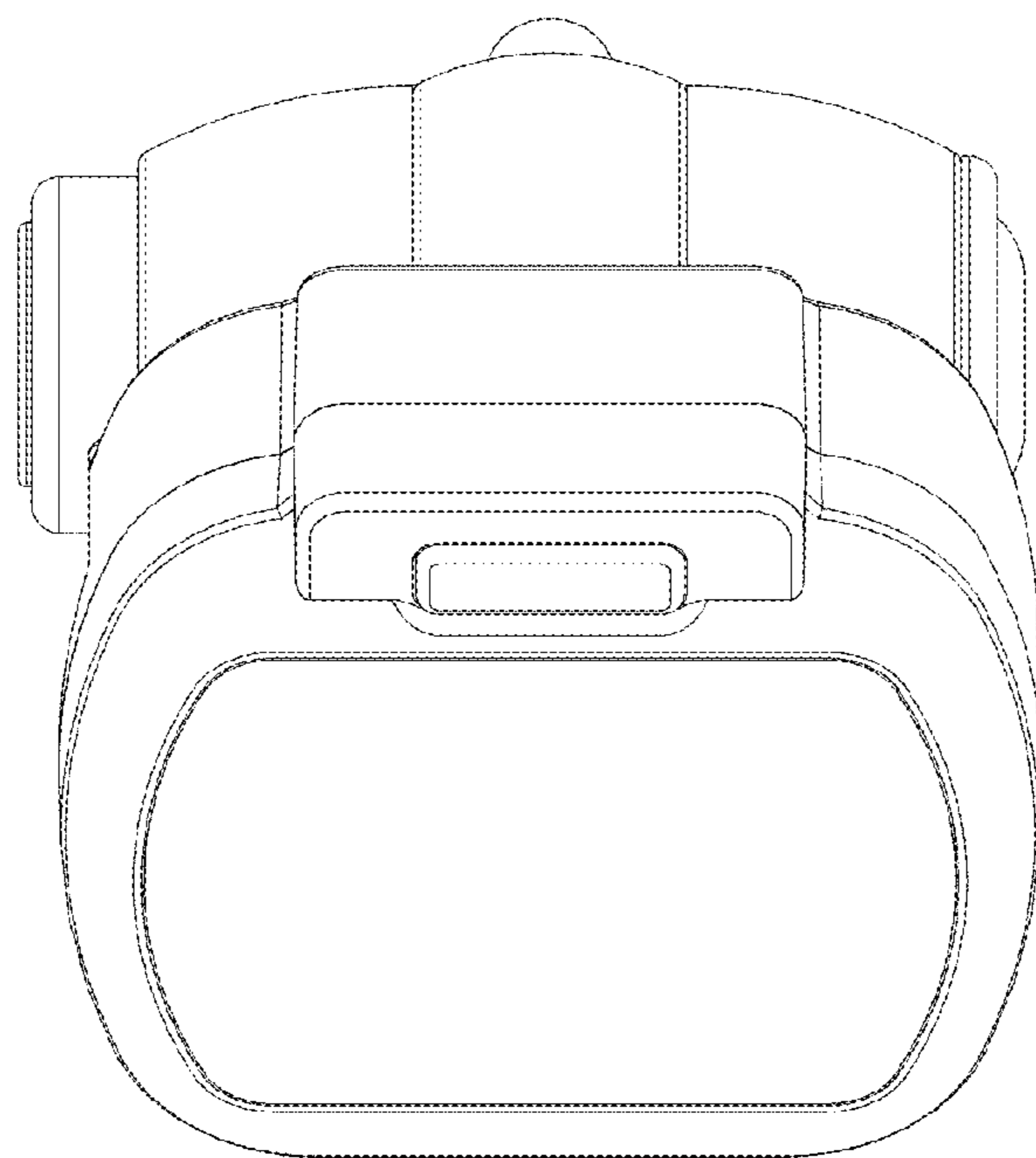


Fig. 5

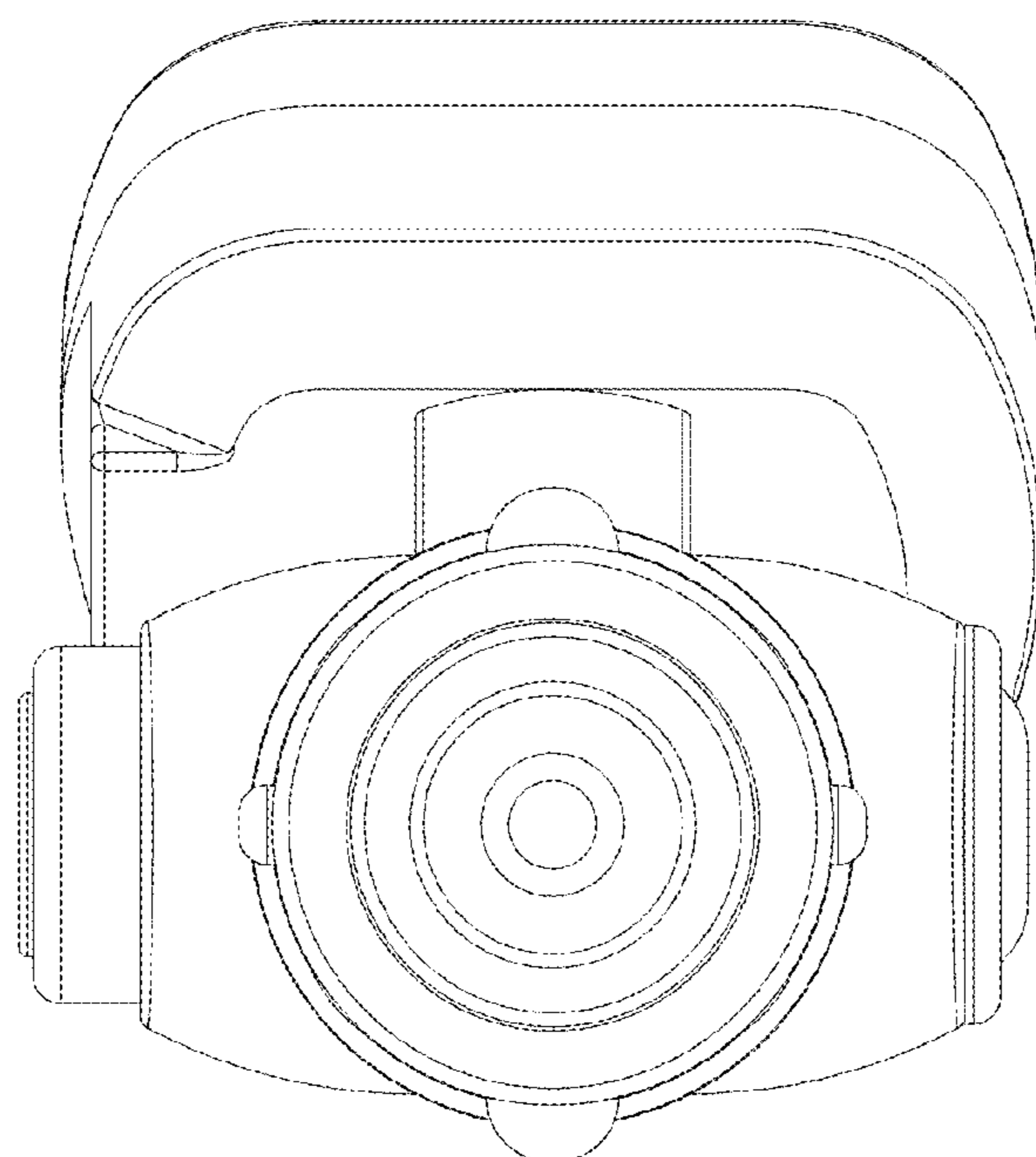


Fig. 6

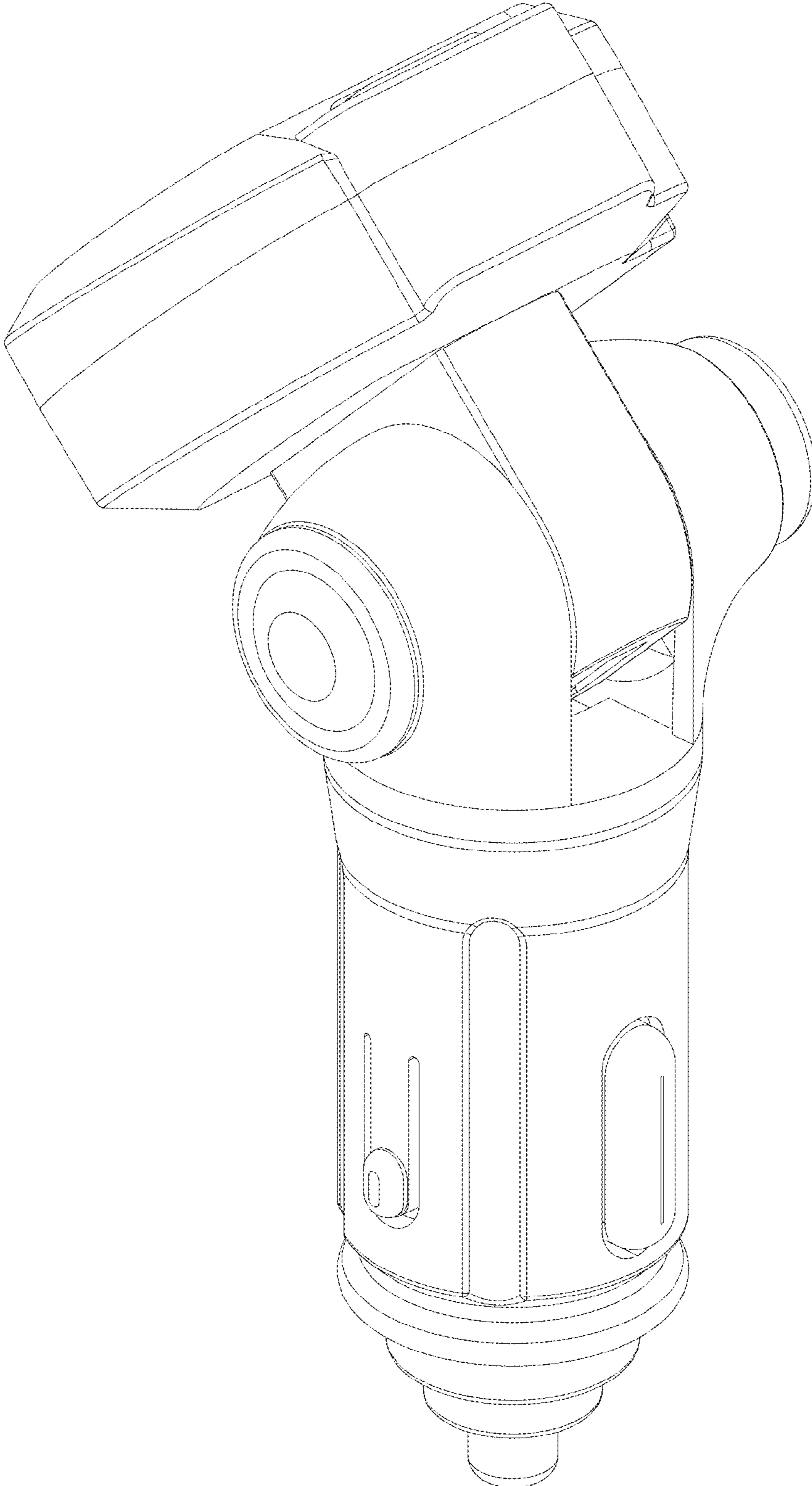


Fig. 7

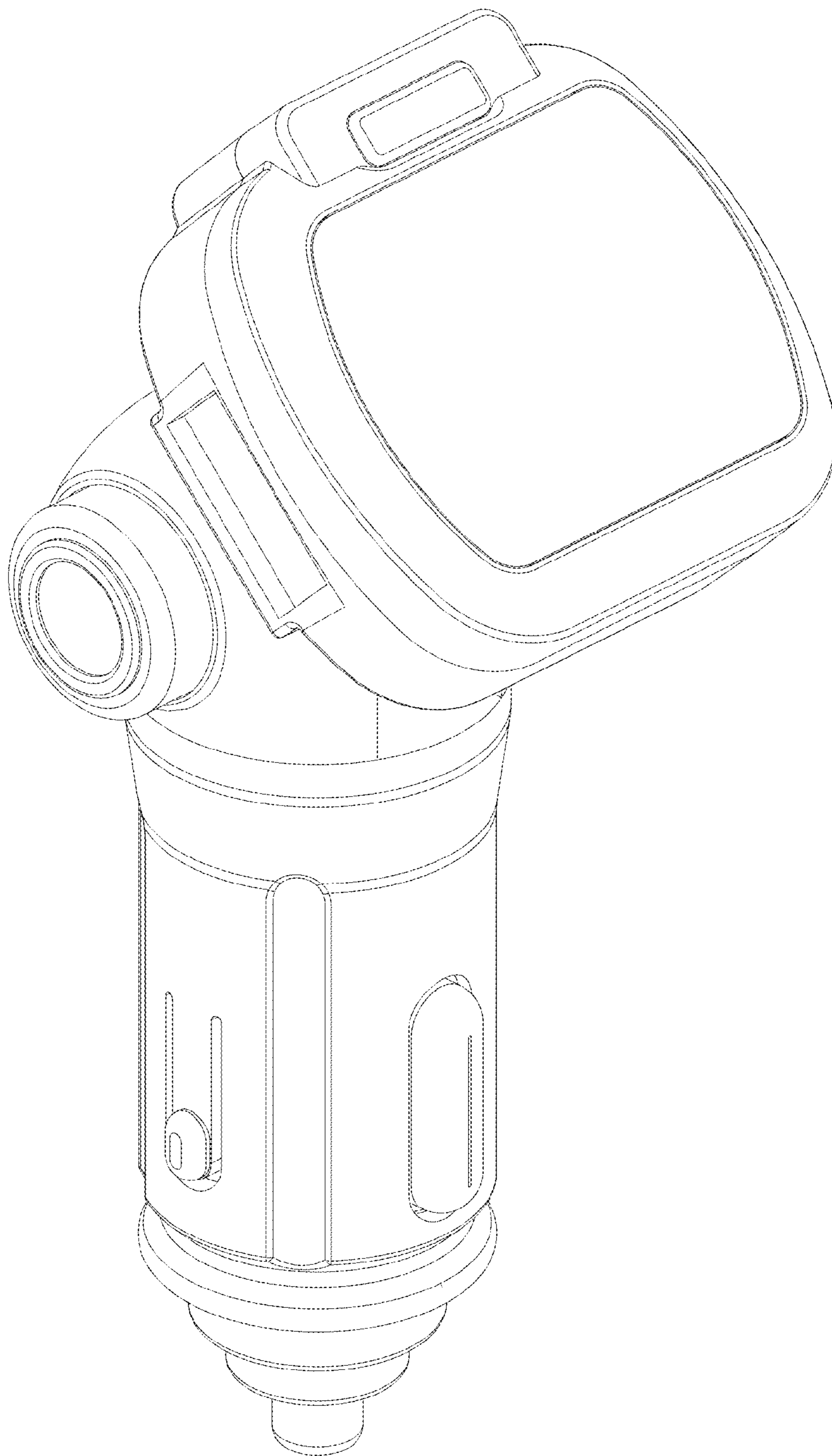


Fig. 8