

US00D871242S

(12) **United States Design Patent** (10) **Patent No.:** **US D871,242 S**  
**Fürer et al.** (45) **Date of Patent:** **\*\* Dec. 31, 2019**

- (54) **PRESSURE MEASURING DEVICE WITH A NARROW BUT TALL TOP SECTION, AND WIDE BOTTOM**
- (71) Applicant: **KISTLER HOLDING AG**, Winterthur (CH)
- (72) Inventors: **Daniel Fürer**, Zurich (CH); **Christof Sonderegger**, Frauenfeld (CH); **Daniel Buerki**, Effretikon (CH)
- (73) Assignee: **Kistler Holding AG**, Winterthur (CH)
- (\*\*) Term: **15 Years**
- (21) Appl. No.: **29/640,990**
- (22) Filed: **Mar. 19, 2018**

**Related U.S. Application Data**

- (62) Division of application No. 35/501,972, filed on Sep. 1, 2016 (U.S. filing date under 35 U.S.C. 384), and having an international filing date of Sep. 1, 2016, now Pat. No. Des. 817,795.
- (51) **LOC (12) Cl.** ..... **10-04**
- (52) **U.S. Cl.**  
USPC ..... **D10/85**
- (58) **Field of Classification Search**  
USPC ..... D10/83, 85; D23/233, 235  
See application file for complete search history.

(56) **References Cited**

U.S. PATENT DOCUMENTS

D271,571 S	*	11/1983	Lonnstedt	.....	D10/83
D794,164 S	*	8/2017	Suzuki	.....	D23/233
D800,258 S	*	10/2017	Komatsuzaki	.....	D23/235
D802,716 S	*	11/2017	Asaba	.....	D23/233
D803,082 S	*	11/2017	Banschbach	.....	D10/85

\* cited by examiner

*Primary Examiner* — George D. Kirschbaum

(74) *Attorney, Agent, or Firm* — Dority & Manning, P.A.

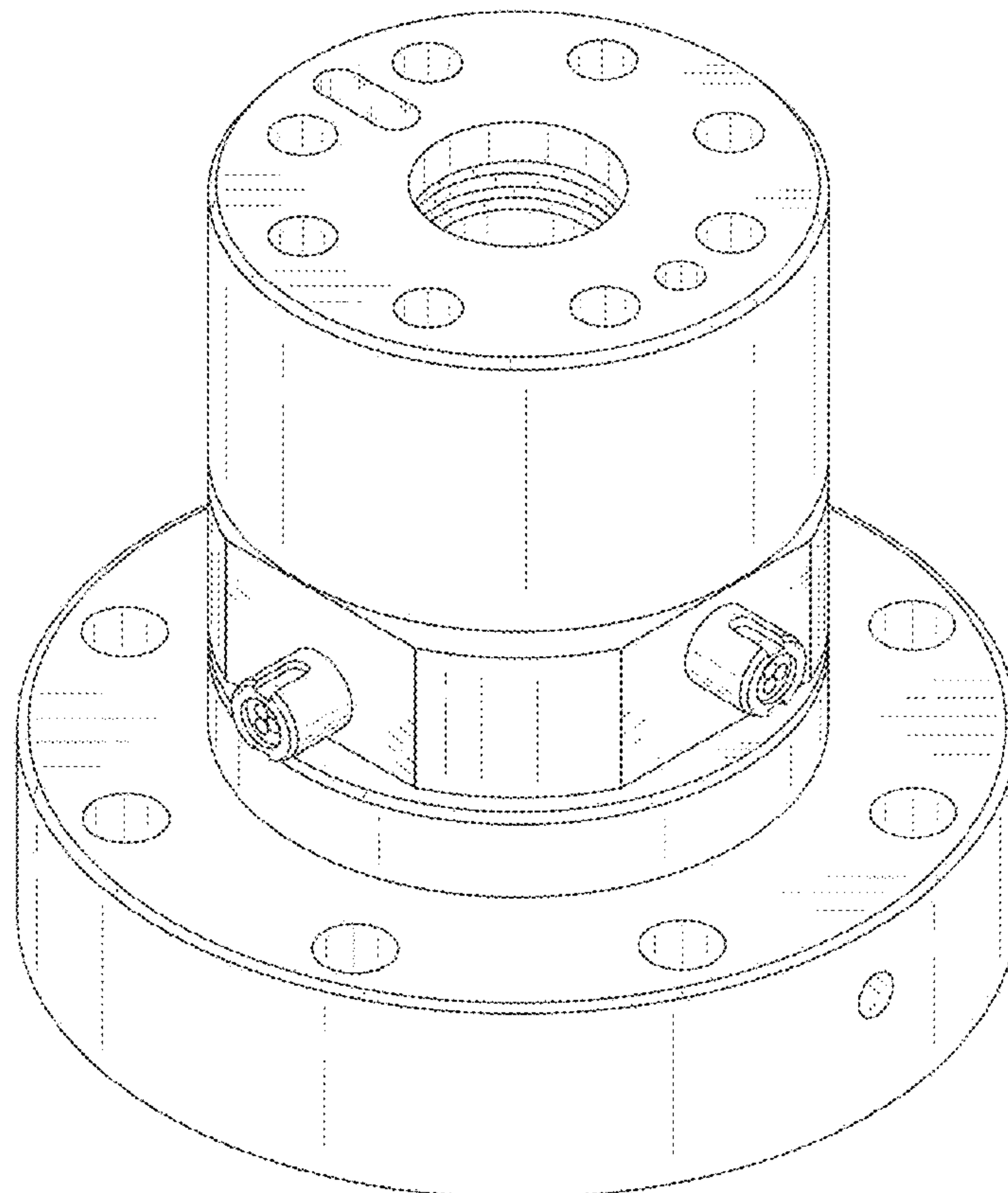
(57) **CLAIM**

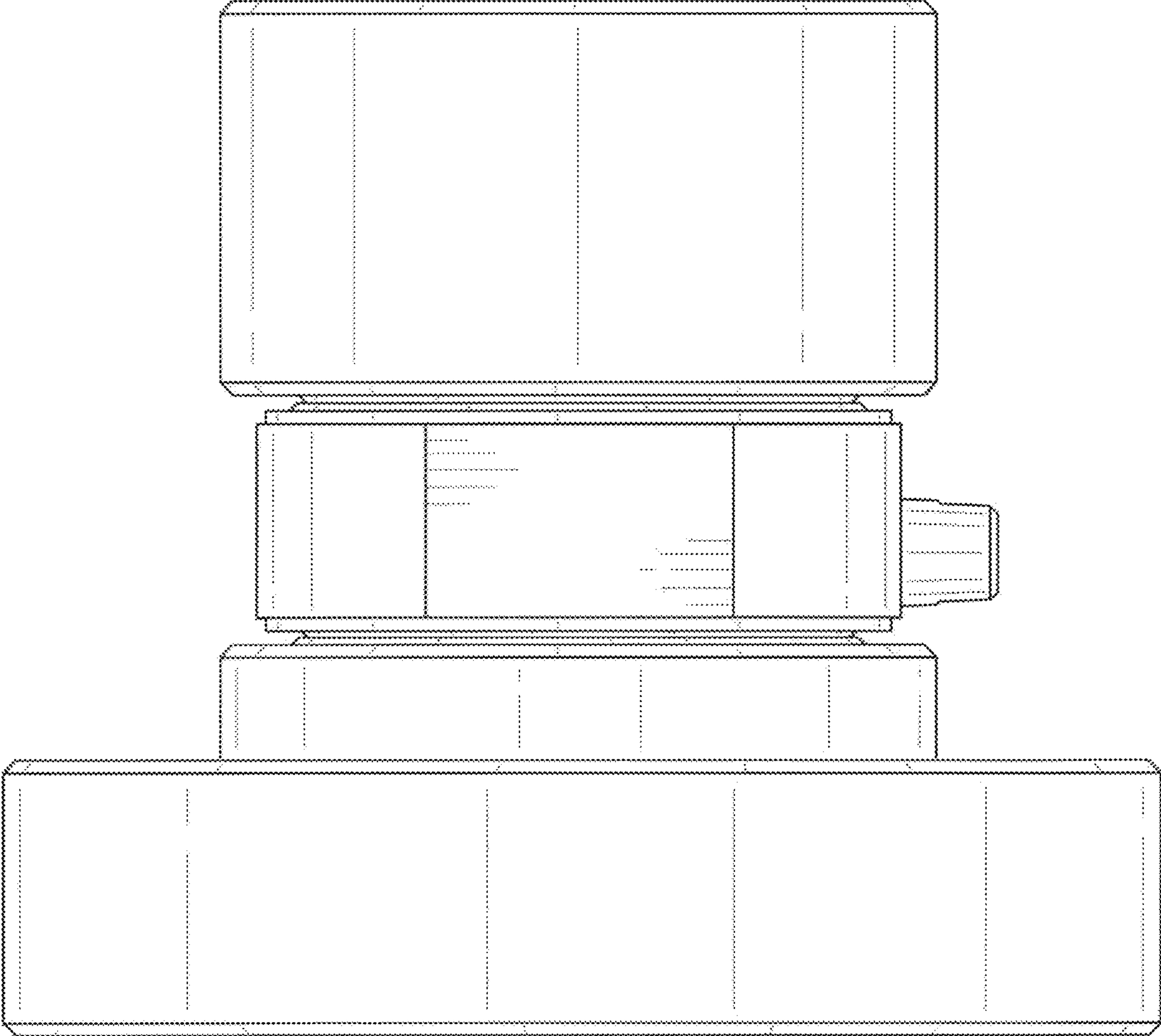
The ornamental design for pressure measuring device with a narrow but tall top section, and wide bottom, as shown and described.

**DESCRIPTION**

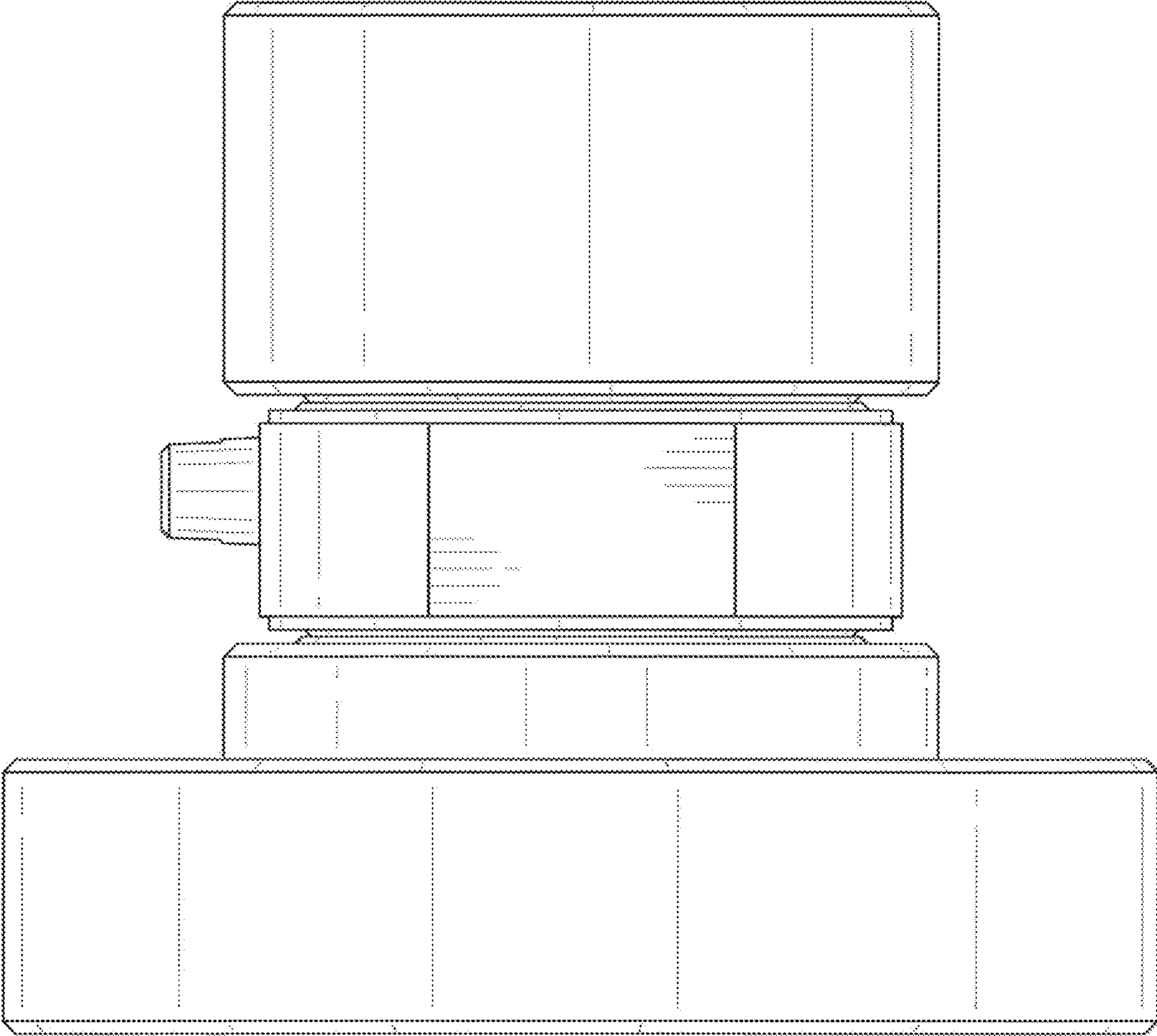
- FIG. 1 is a front view.  
 FIG. 2 is a right side view.  
 FIG. 3 is a rear view.  
 FIG. 4 is a left side view.  
 FIG. 5 is a top perspective view taken from the front and left side.  
 FIG. 6 is a top perspective view taken from the left side and rear; and,  
 FIG. 7 is a top view.

**1 Claim, 7 Drawing Sheets**

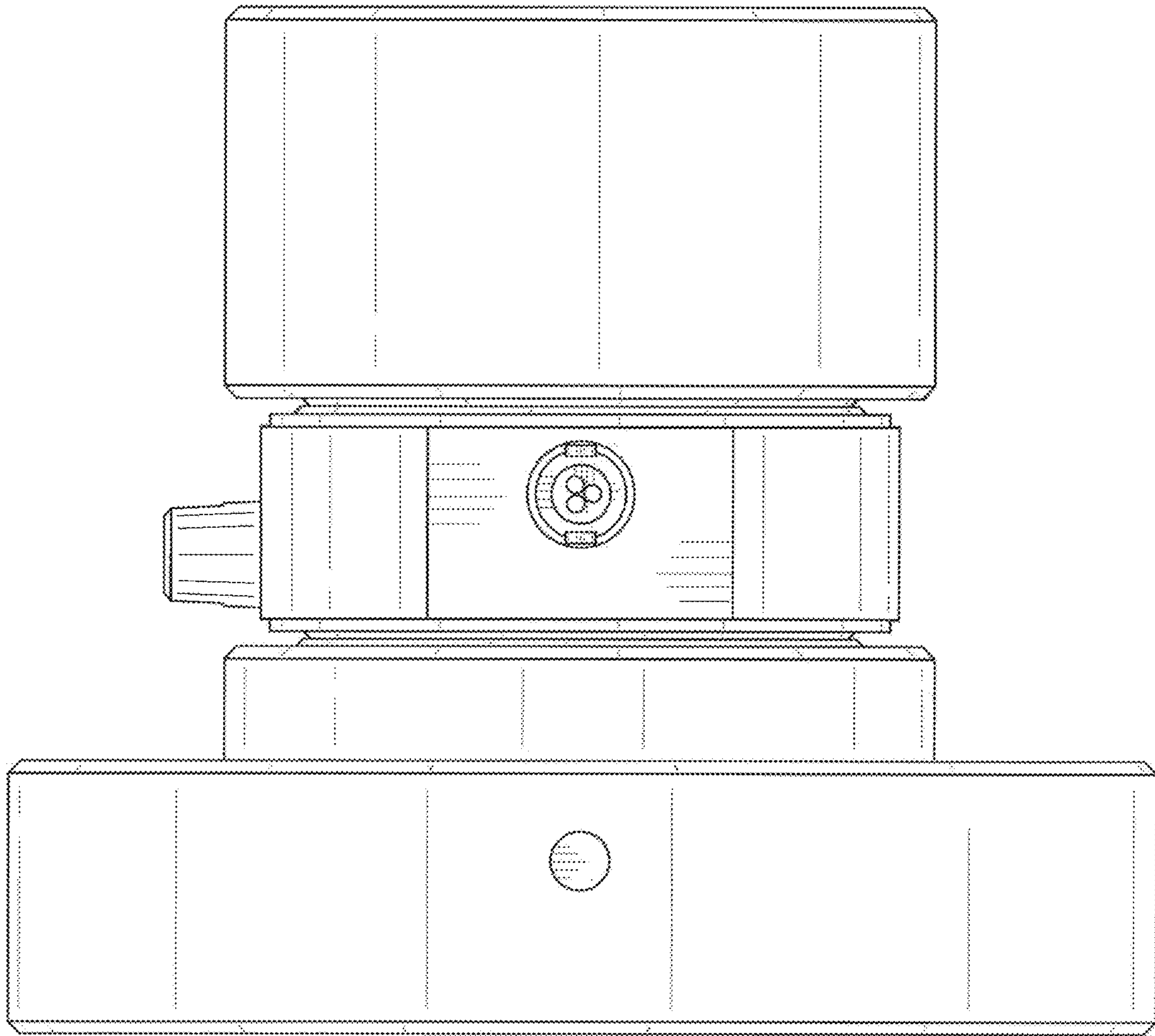




**FIG. 1**

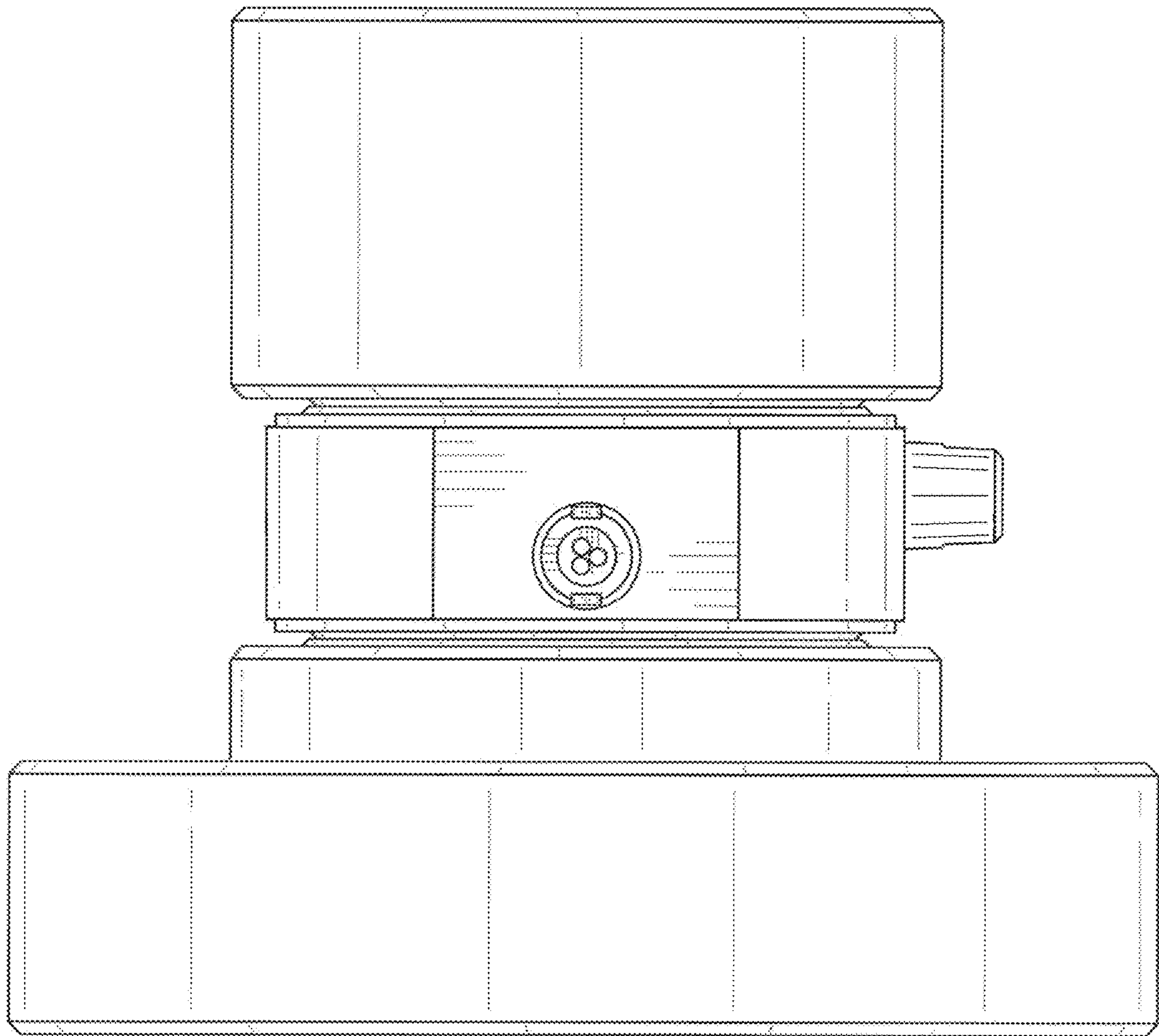


**FIG. 2**

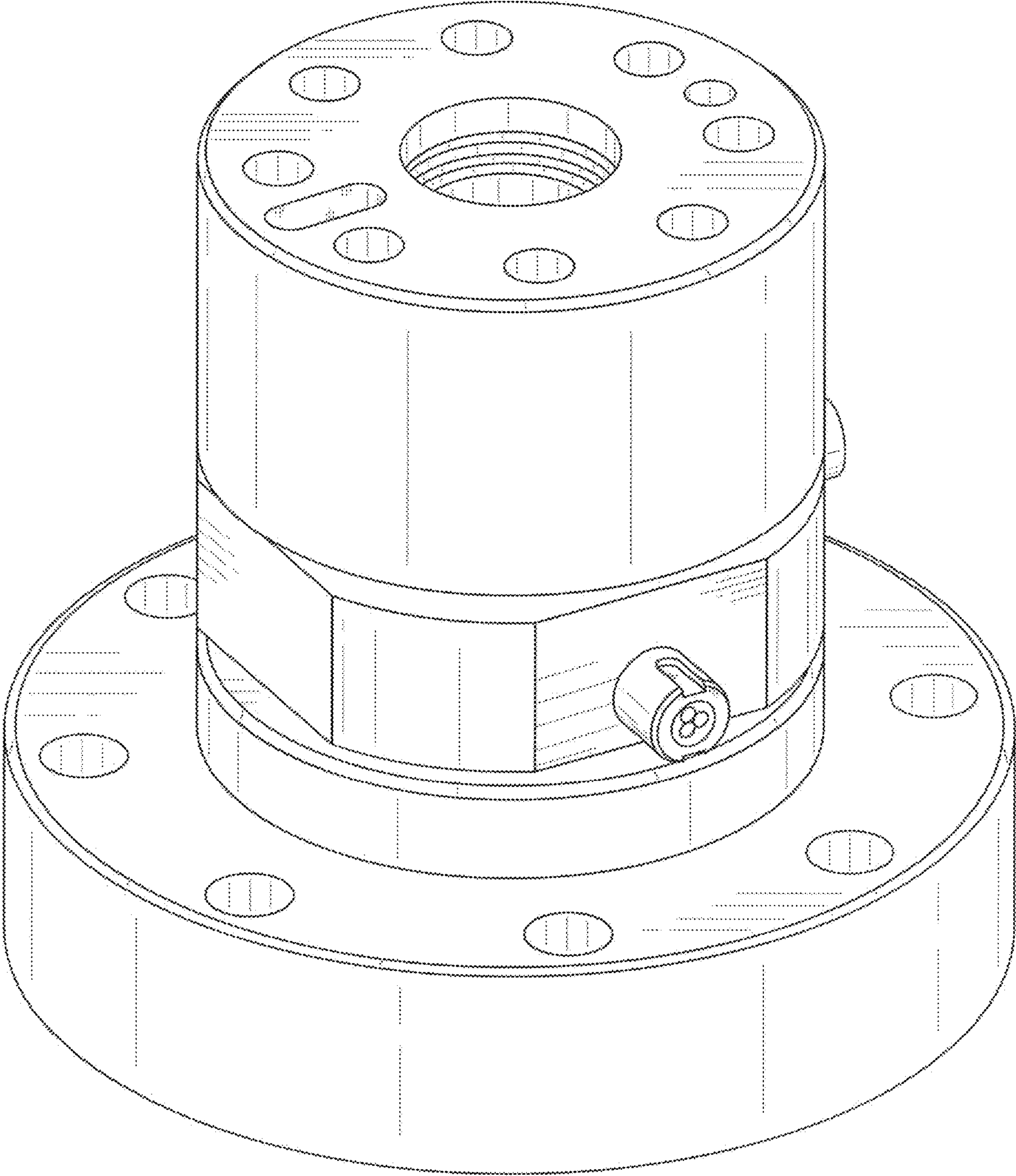


**FIG. 3**

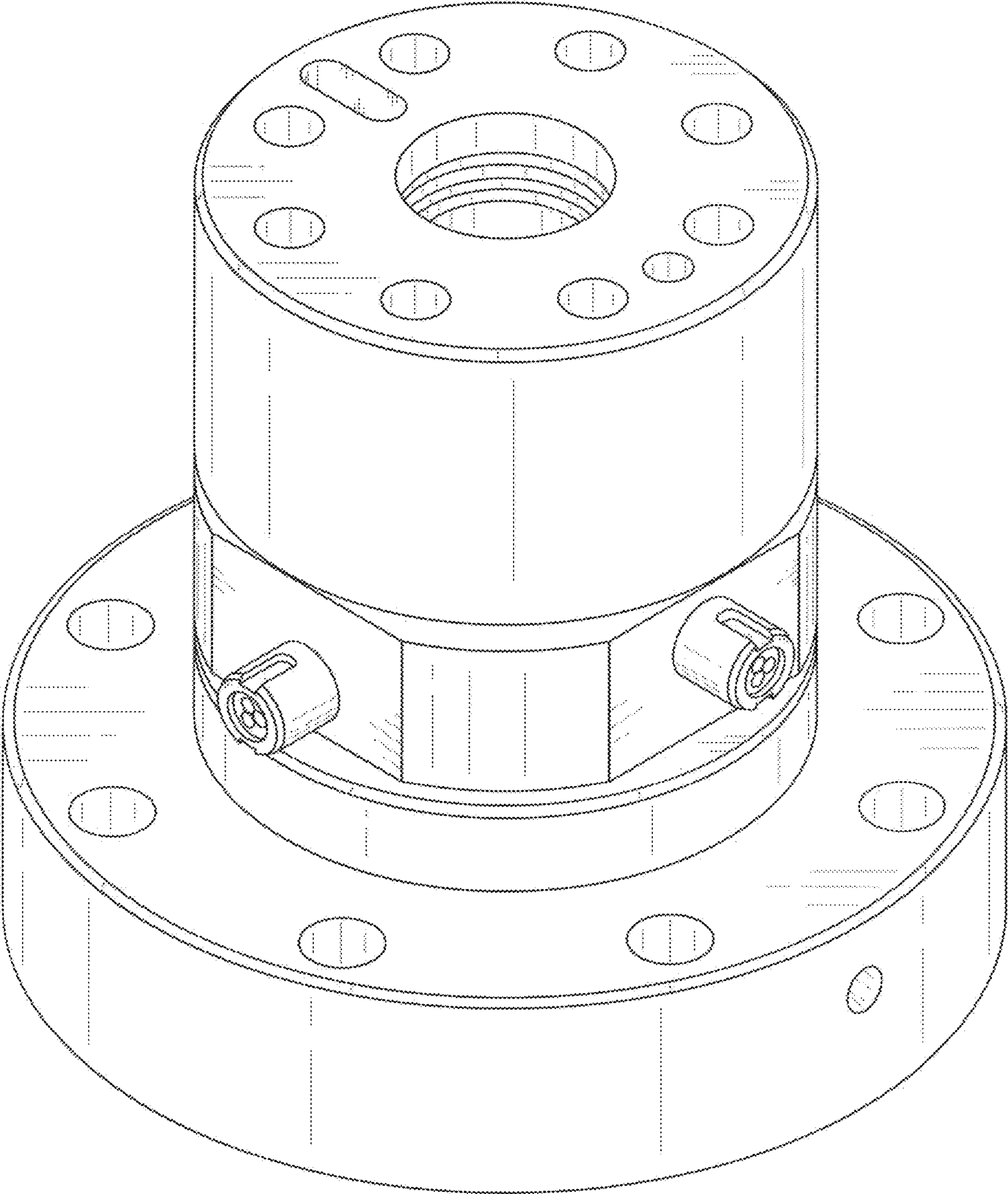




**FIG. 4**

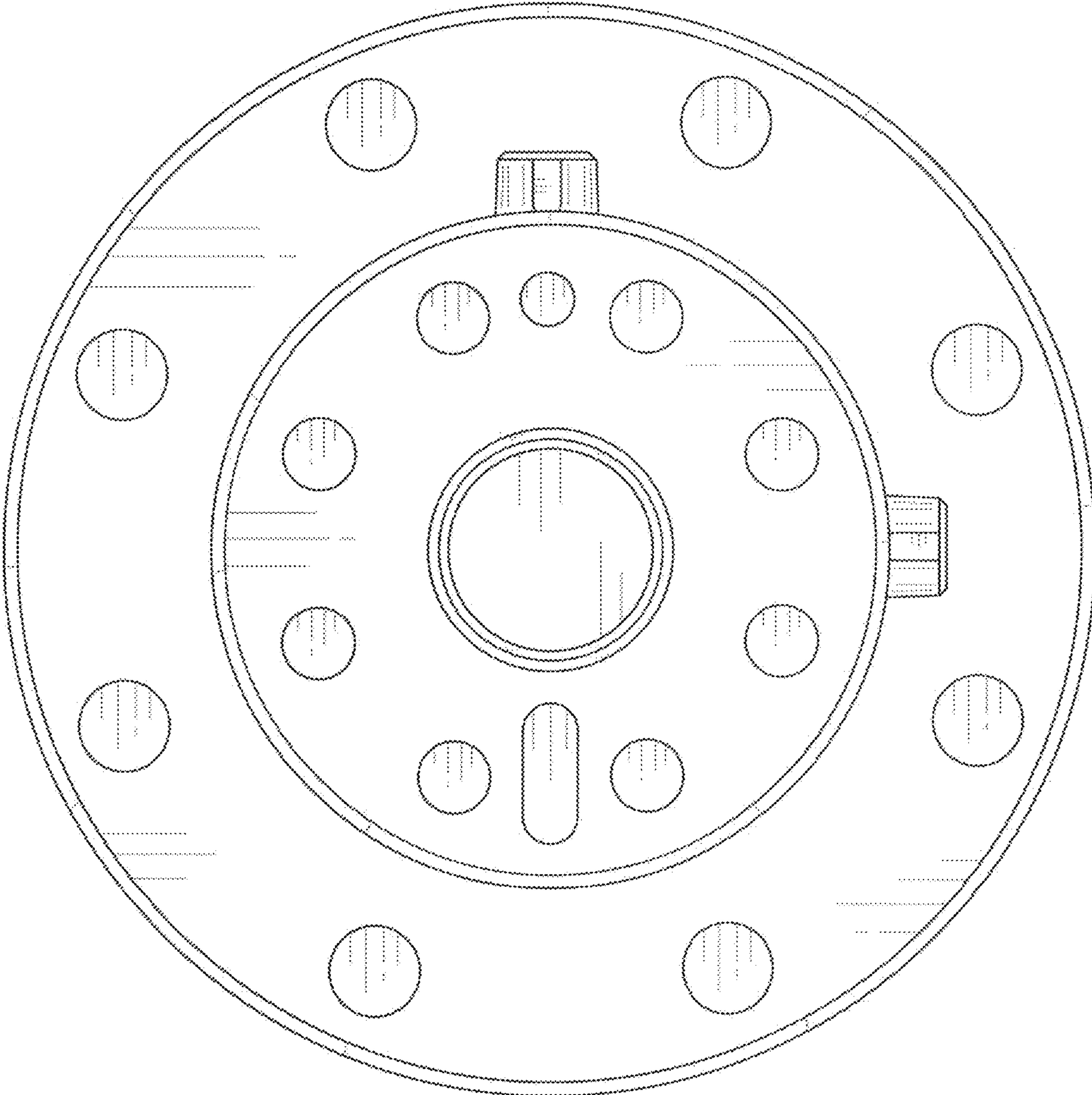


**FIG. 5**



**FIG. 6**





**FIG. 7**