



US00D871239S

(12) **United States Design Patent** (10) **Patent No.:** **US D871,239 S**
Liang (45) **Date of Patent:** **** Dec. 31, 2019**

(54) **INFRARED THERMOMETER**

(56) **References Cited**

(71) Applicant: **FAMIDOC TECHNOLOGY CO., LTD**, Guangdong Province (CN)

U.S. PATENT DOCUMENTS

(72) Inventor: **Cao Liang**, Shenzhen (CN)

D664,053 S * 7/2012 Lacotta D10/57
D666,111 S * 8/2012 Lacotta D10/57
D676,770 S * 2/2013 Lacotta D10/57
D693,247 S * 11/2013 Juhng D10/57
D843,243 S * 3/2019 Wang D10/57

(**) Term: **15 Years**

* cited by examiner

(21) Appl. No.: **29/662,988**

Primary Examiner — Antoine Duval Davis

(22) Filed: **Sep. 11, 2018**

(74) *Attorney, Agent, or Firm* — HYIP

(51) **LOC (12) Cl.** **10-04**

(57) **CLAIM**

(52) **U.S. Cl.**

The ornamental design for an infrared thermometer, as shown and described.

USPC **D10/57**

(58) **Field of Classification Search**

DESCRIPTION

USPC D10/57

CPC G01K 1/02; G01K 1/022; G01K 1/024;

FIG. 1 is a Rear Perspective view of an infrared thermometer showing my new design;

G01K 1/08; G01K 1/083; G01K 1/086;

FIG. 2 is a Front Perspective view thereof;

G01K 3/00-3/14; G01K 2003/145; G01K

FIG. 3 is a Front elevational view thereof;

13/002; G01K 13/004; G01K 2219/00;

FIG. 4 is a Rear elevational view thereof;

G01K 5/04-5/225; G01K 5/22; G01K

FIG. 5 is a Right side view thereof;

221/00; G01J 5/04; G01J 5/041; G01J

FIG. 6 is a Left side view thereof;

5/042; G01J 5/043; G01J 5/044; G01J

FIG. 7 is a Top plan view thereof; and,

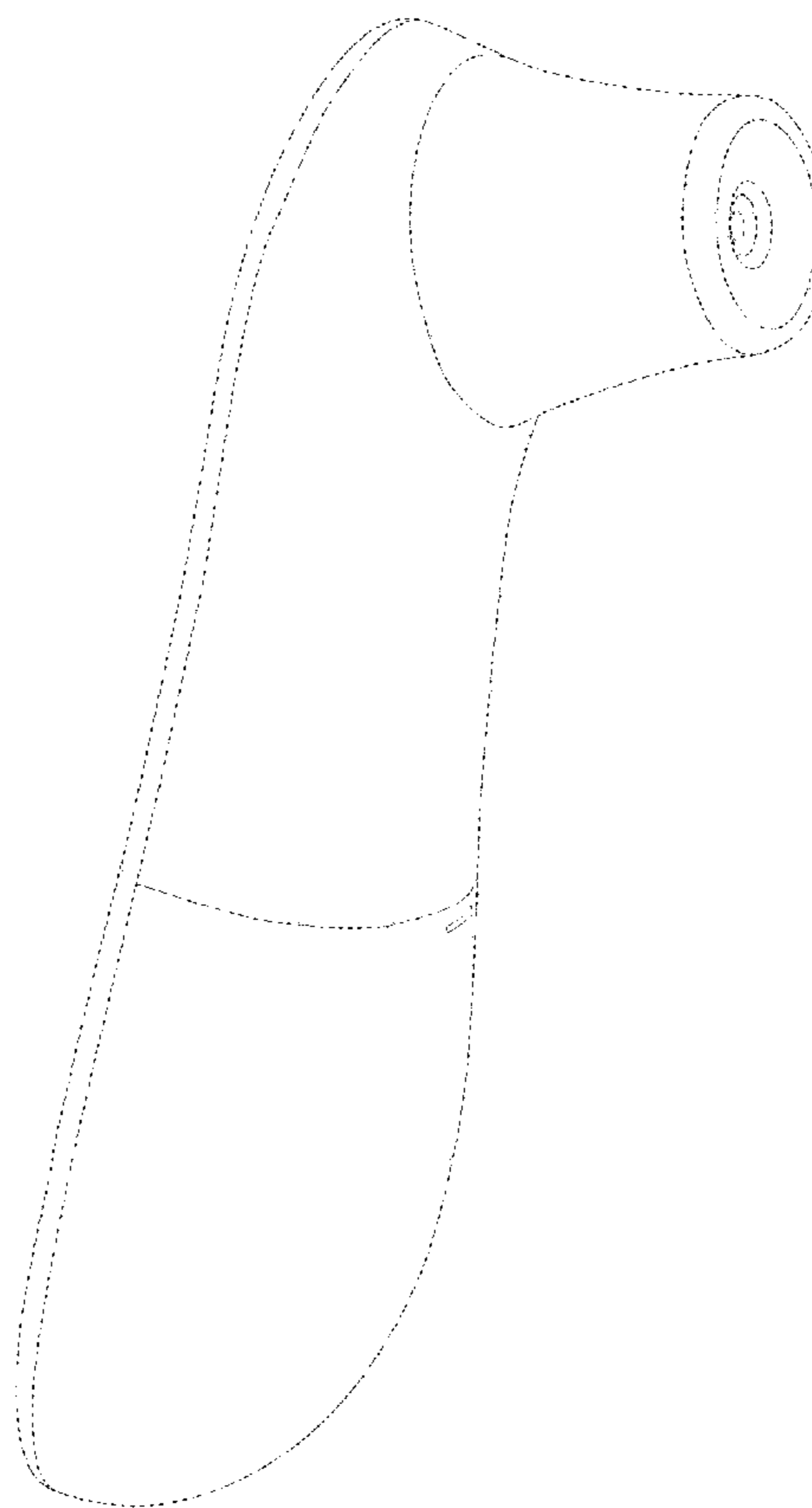
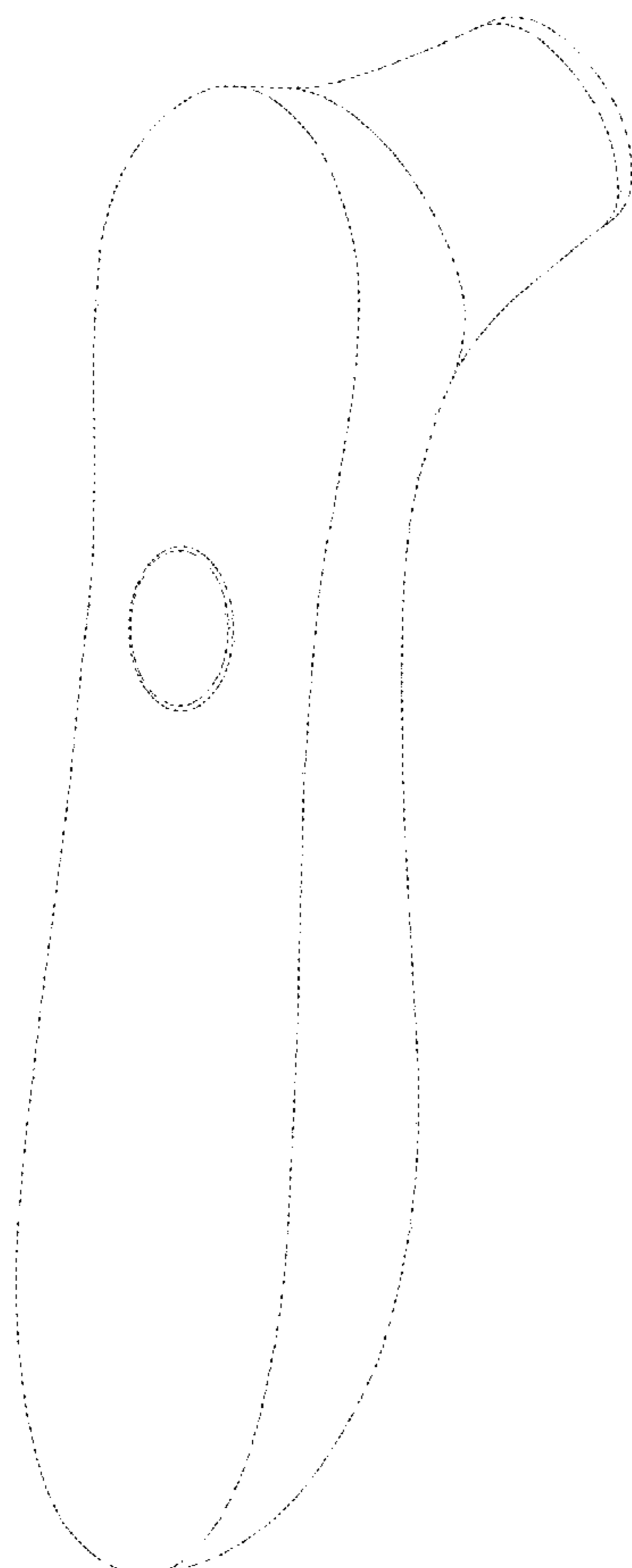
5/045; G01J 5/046; G01J 5/047; G01J

FIG. 8 is a Bottom plan view thereof.

5/048; G01J 5/049; G01J 5/0265

See application file for complete search history.

1 Claim, 8 Drawing Sheets



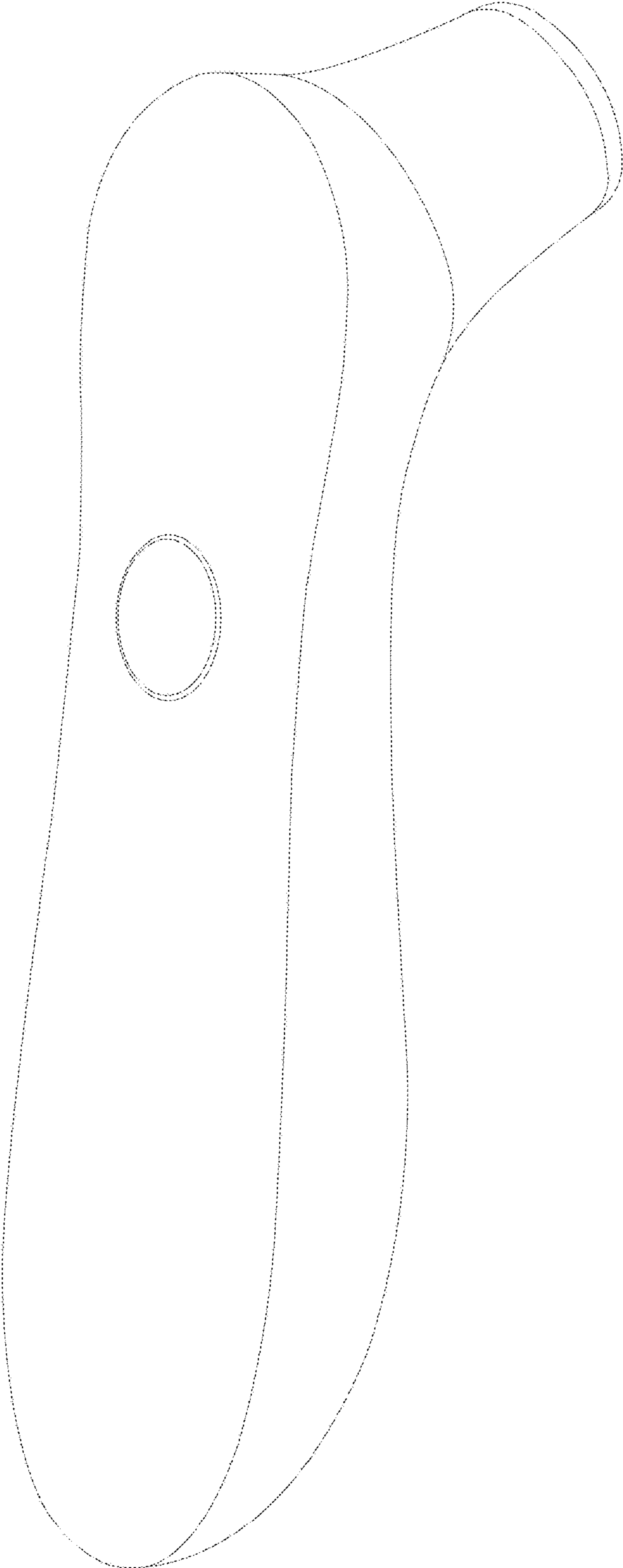


Fig. 1

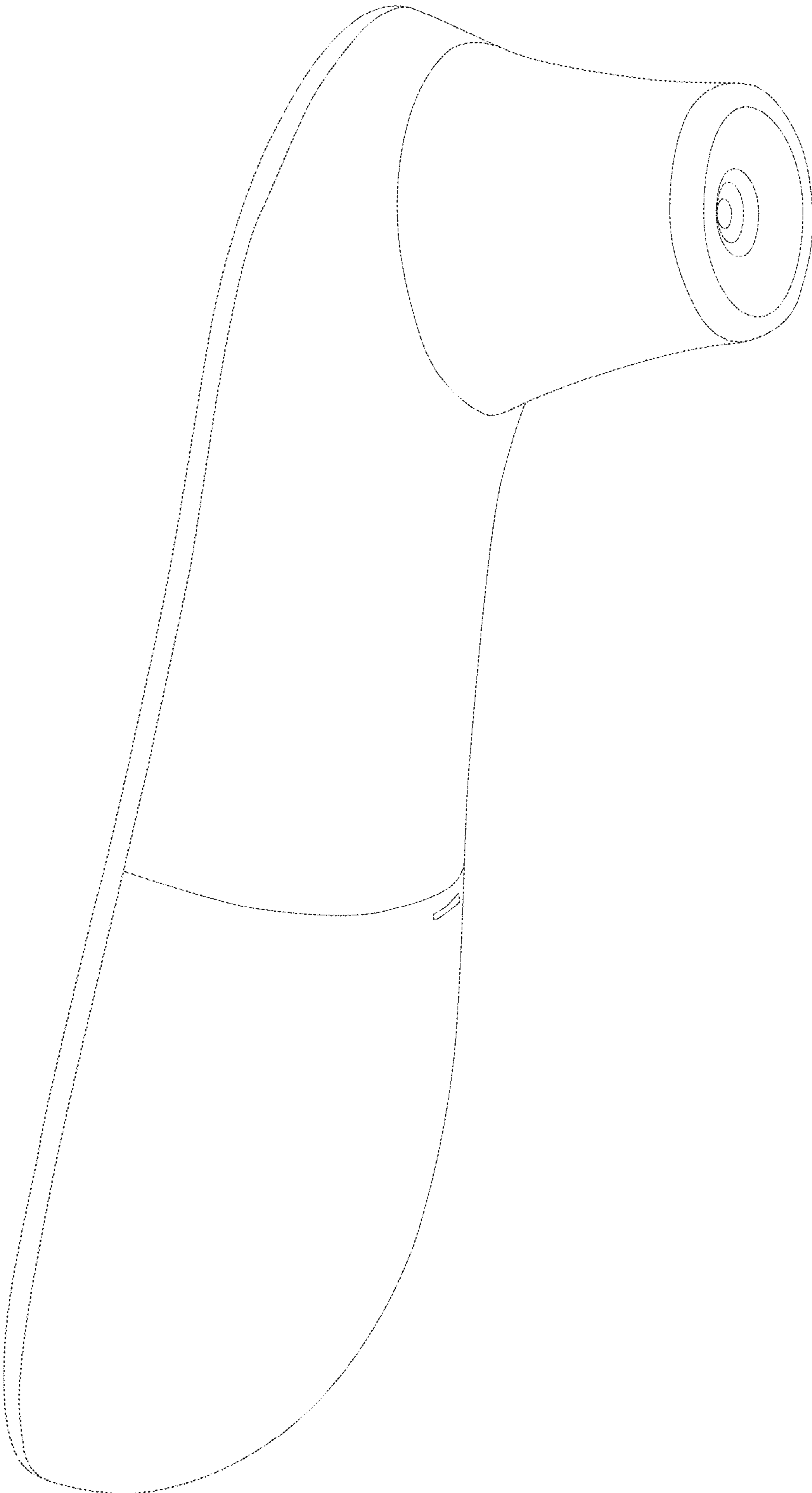


Fig. 2

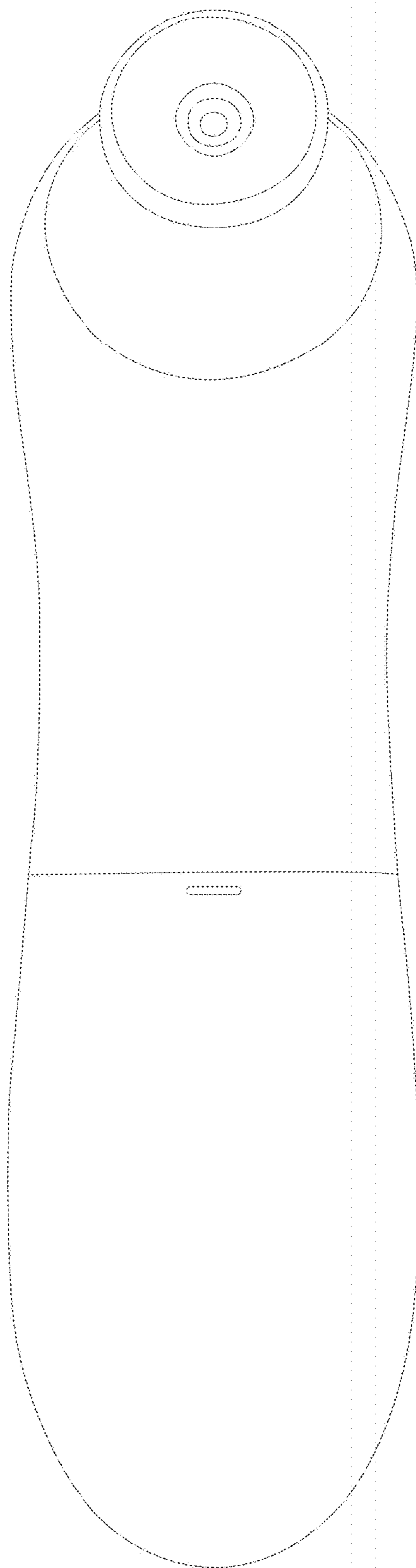


Fig. 3

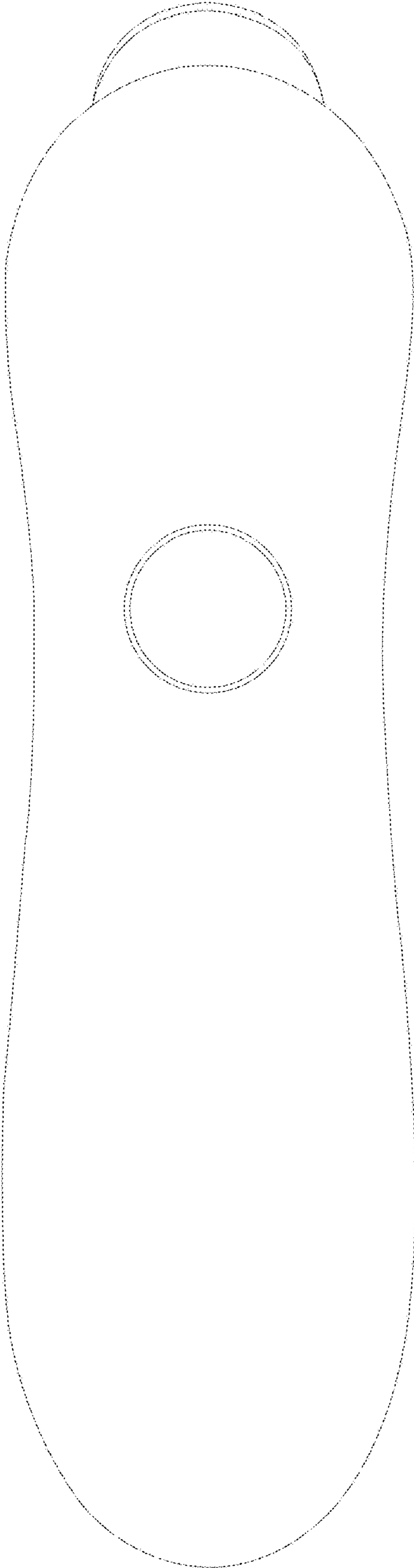


Fig. 4

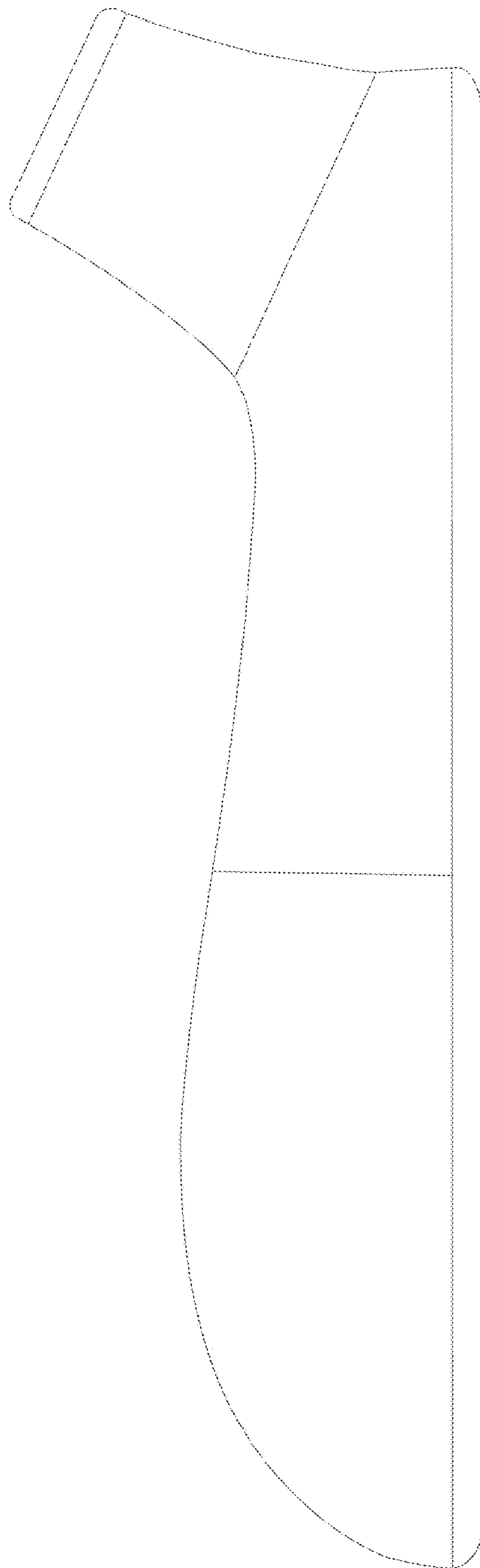


Fig. 5

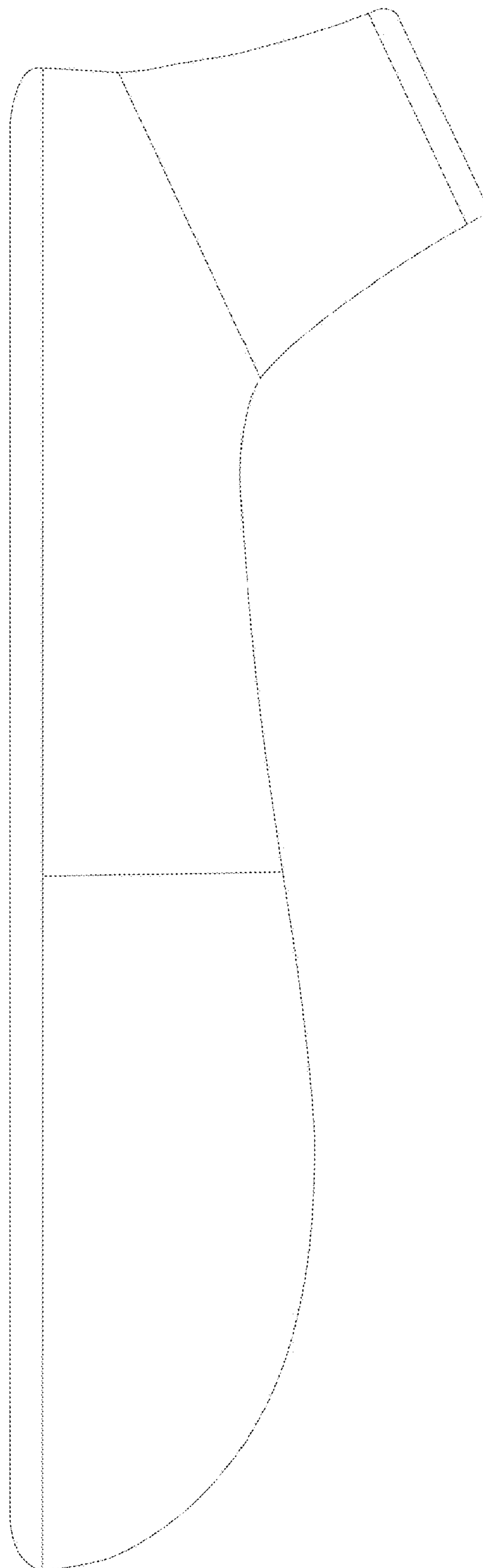


Fig. 6

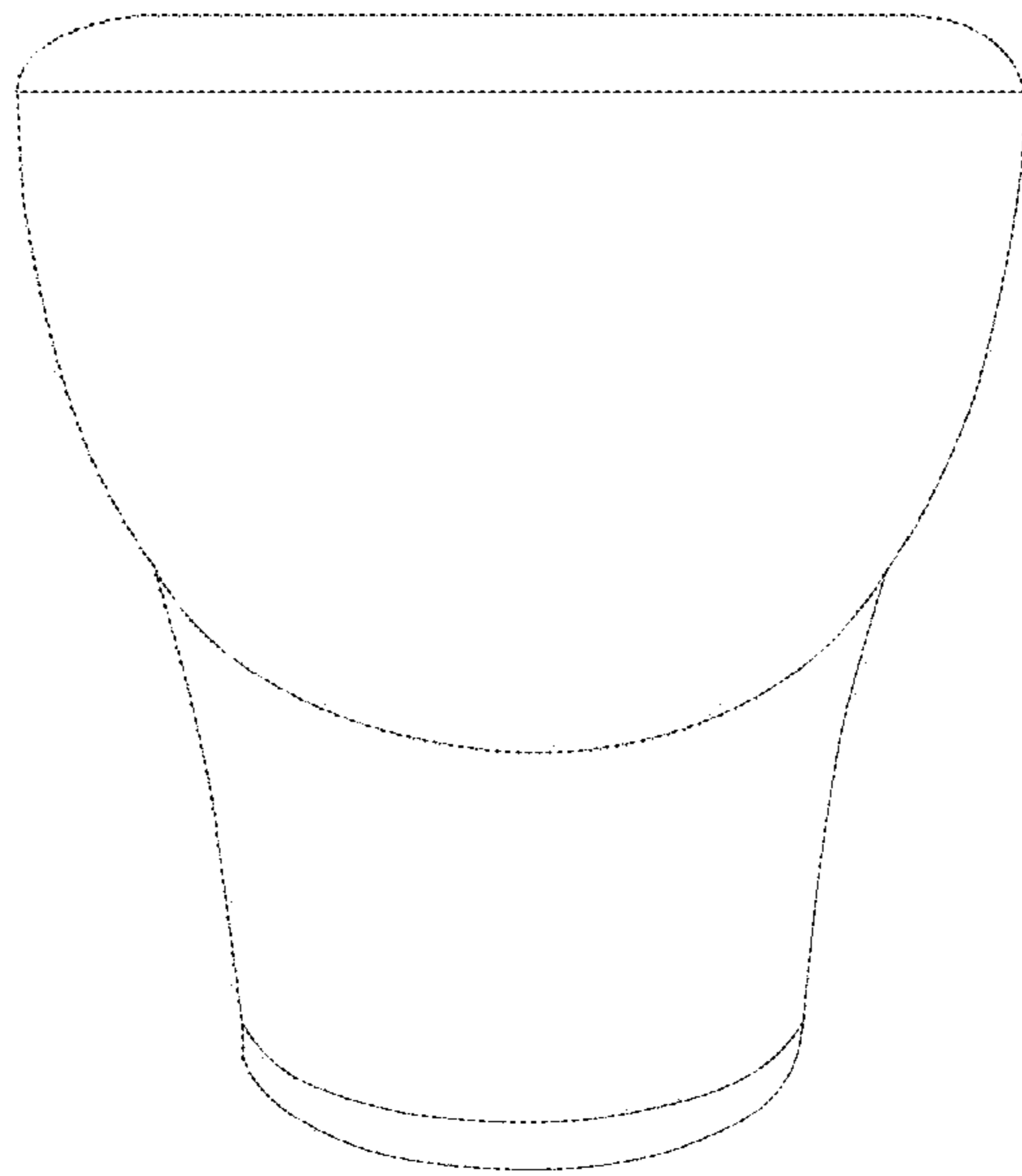


Fig. 7

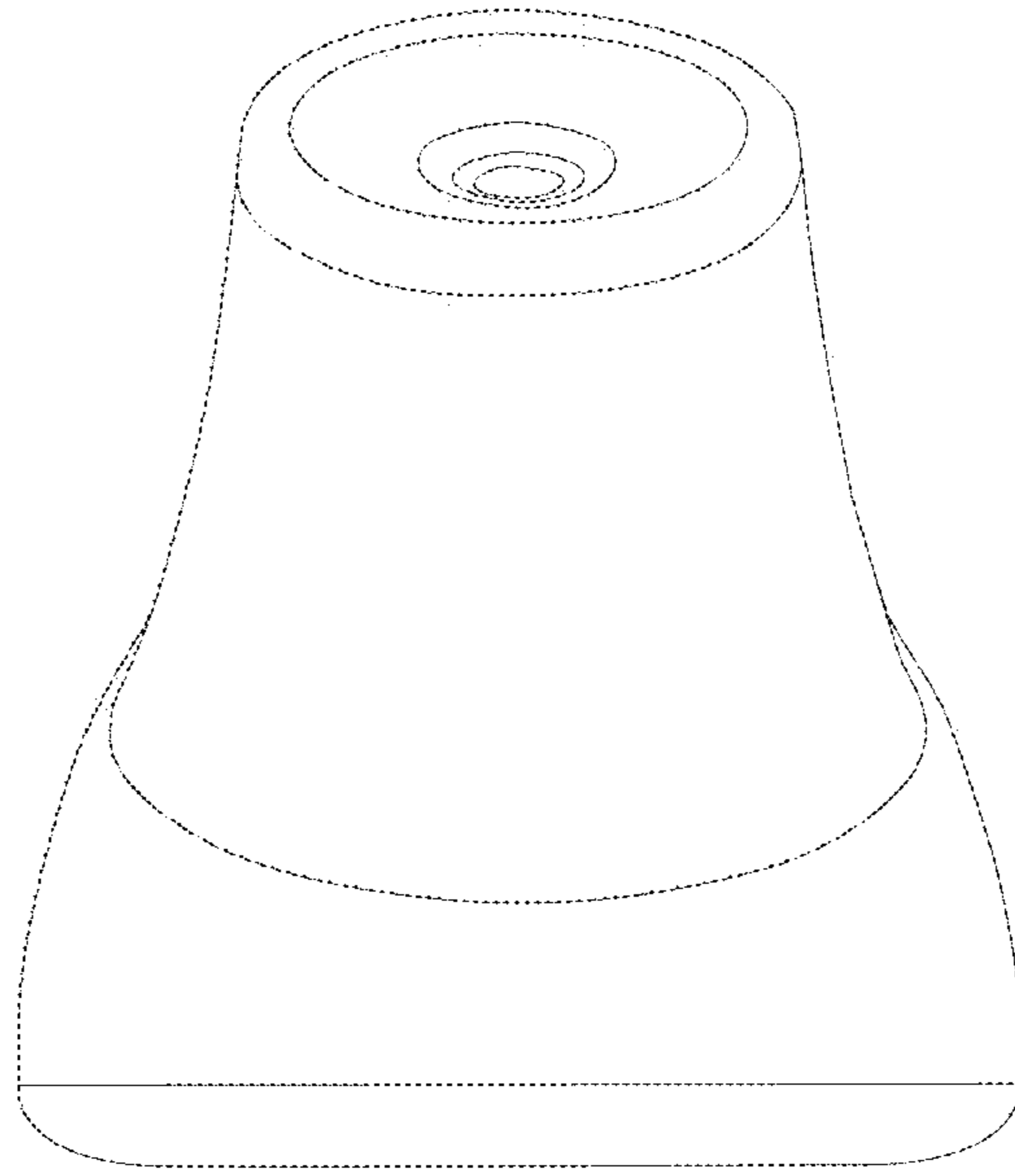


Fig. 8