



US00D871238S

(12) **United States Design Patent** (10) **Patent No.:** **US D871,238 S**
Ramon (45) **Date of Patent:** **** Dec. 31, 2019**

(54) **DOSER**
(71) Applicant: **Henkel AG & Co. KGaA**, Duesseldorf (DE)
(72) Inventor: **Willem Ramon**, Woerden (NL)
(73) Assignee: **Henkel AG & Co. KGaA** (DE)
(**) Term: **15 Years**
(21) Appl. No.: **29/681,058**
(22) Filed: **Feb. 22, 2019**

Related U.S. Application Data

(62) Division of application No. 29/611,815, filed on Jul. 26, 2017, now Pat. No. Des. 850,937.

Foreign Application Priority Data

Jan. 31, 2017 (EM) 003733294

(51) **LOC (12) Cl.** **10-04**

(52) **U.S. Cl.**
USPC **D10/46.2; D9/445**

(58) **Field of Classification Search**
USPC D10/46.2, 46.3; D7/533-536, 509-511, D7/523, 529, 532, 316-319, 691, 667; 73/426, 427; D9/435, 436, 445, 454
CPC G01F 19/00; G01F 19/002; G01F 19/005; B65D 41/26; A47G 19/2205; A47G 19/2288

See application file for complete search history.

(56) **References Cited**

U.S. PATENT DOCUMENTS

D230,688 S 3/1974 Cryer
D533,471 S 12/2006 Jordan

D559,634 S 1/2008 Chan
D612,752 S 3/2010 Lee
D619,427 S 7/2010 Poteet
D641,266 S 7/2011 Tamura et al.
D642,080 S 7/2011 Schmitt
D715,110 S * 10/2014 Casonati D7/691
D760,607 S 7/2016 Anzalone et al.
D777,031 S * 1/2017 Katopis D9/436
D804,910 S 12/2017 Steel et al.
D817,171 S * 5/2018 Patrick D9/445
D850,937 S * 6/2019 Ramon D10/46.2
2009/0158844 A1 6/2009 DiPietro et al.
2009/0255333 A1 10/2009 Henry et al.
2009/0294318 A1 * 12/2009 Monahan G01F 19/00
206/459.5
2010/0243723 A1 9/2010 Partington et al.
2012/0298543 A1 * 11/2012 Davis B65D 41/26
206/459.5
2013/0161281 A1 * 6/2013 Skillin B65D 41/26
215/219
2016/0109276 A1 4/2016 Larson et al.

* cited by examiner

Primary Examiner — Brett Miller

(74) *Attorney, Agent, or Firm* — Thomas G. Krivulka

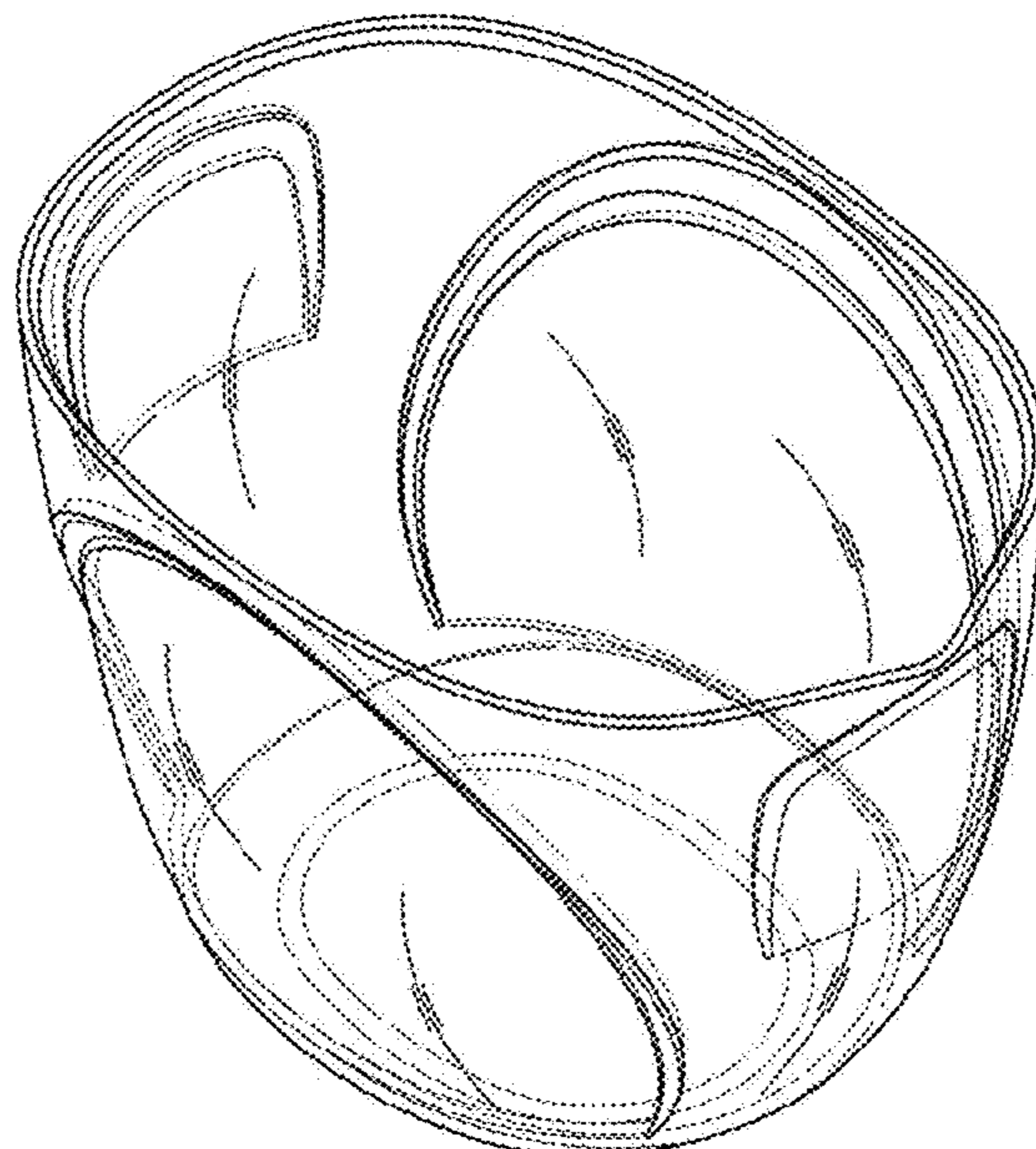
(57) **CLAIM**

The ornamental design for the doser, as shown and described.

DESCRIPTION

FIG. 1 is a front perspective view of a doser embodying our new design;
FIG. 2 is a front elevation view thereof;
FIG. 3 is a rear elevation view thereof;
FIG. 4 is a right elevation view thereof;
FIG. 5 is a left elevation view thereof;
FIG. 6 is a top plan view thereof; and,
FIG. 7 is a bottom plan view thereof.

1 Claim, 4 Drawing Sheets



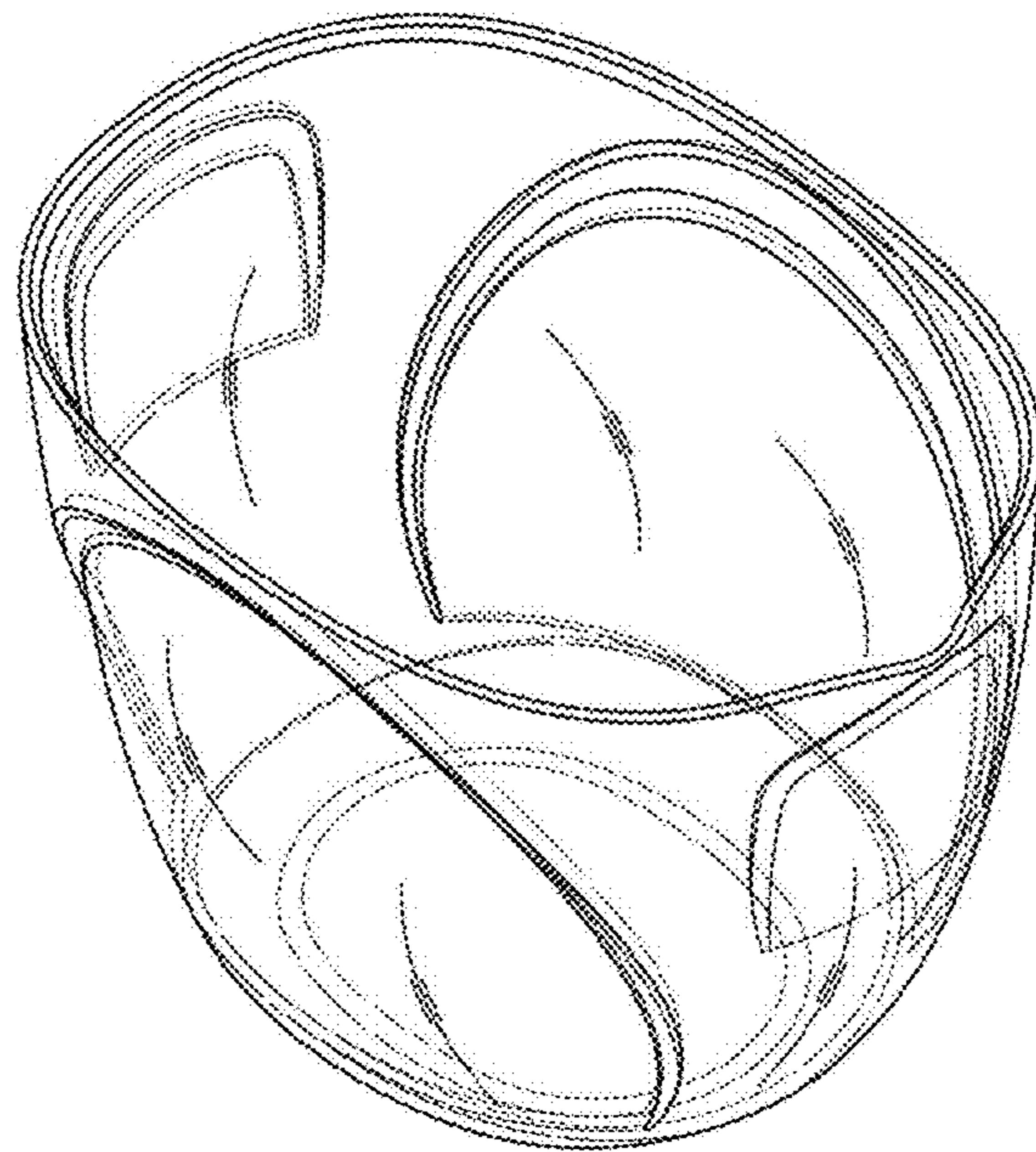


Fig. 1

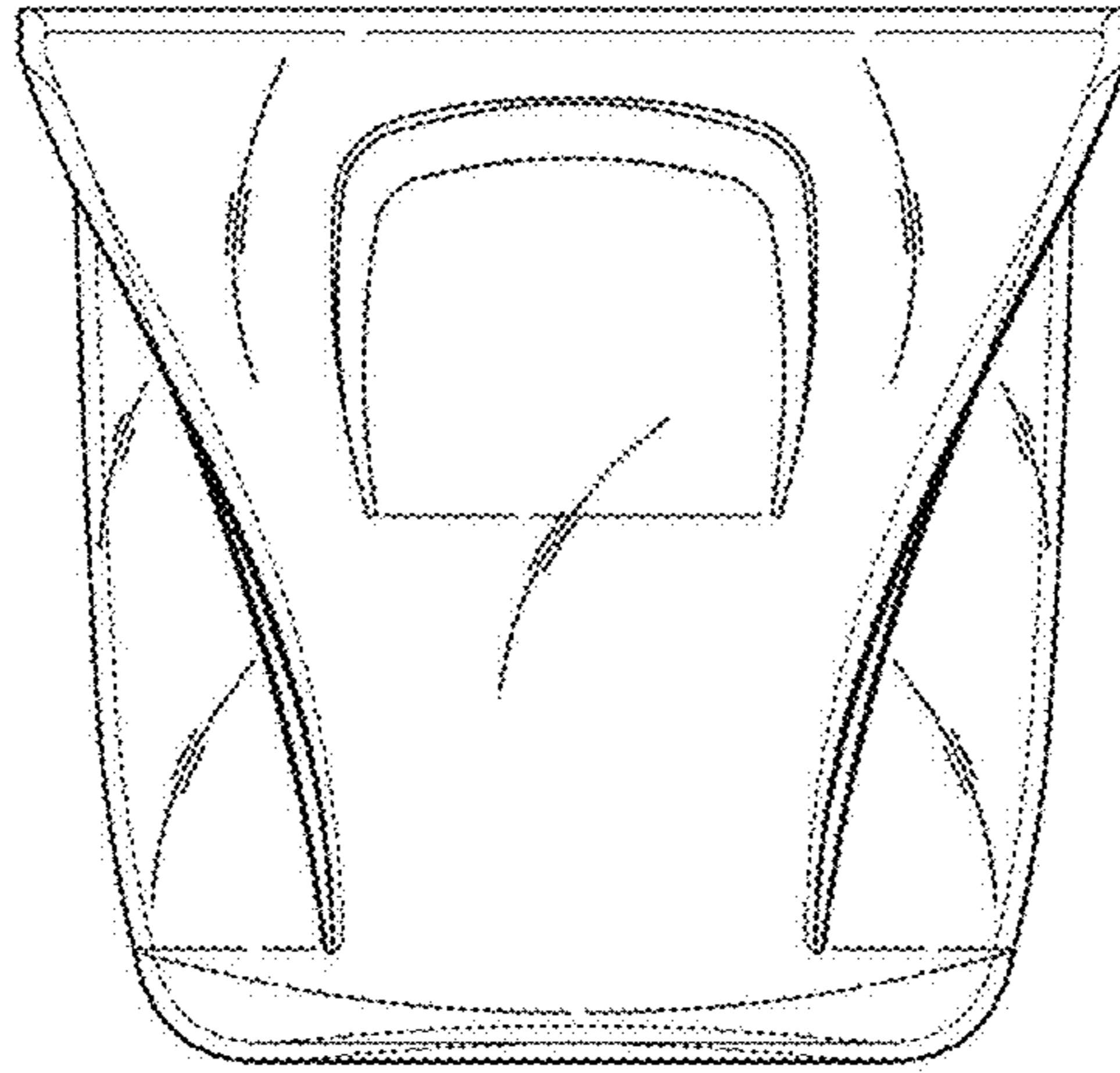


Fig. 2

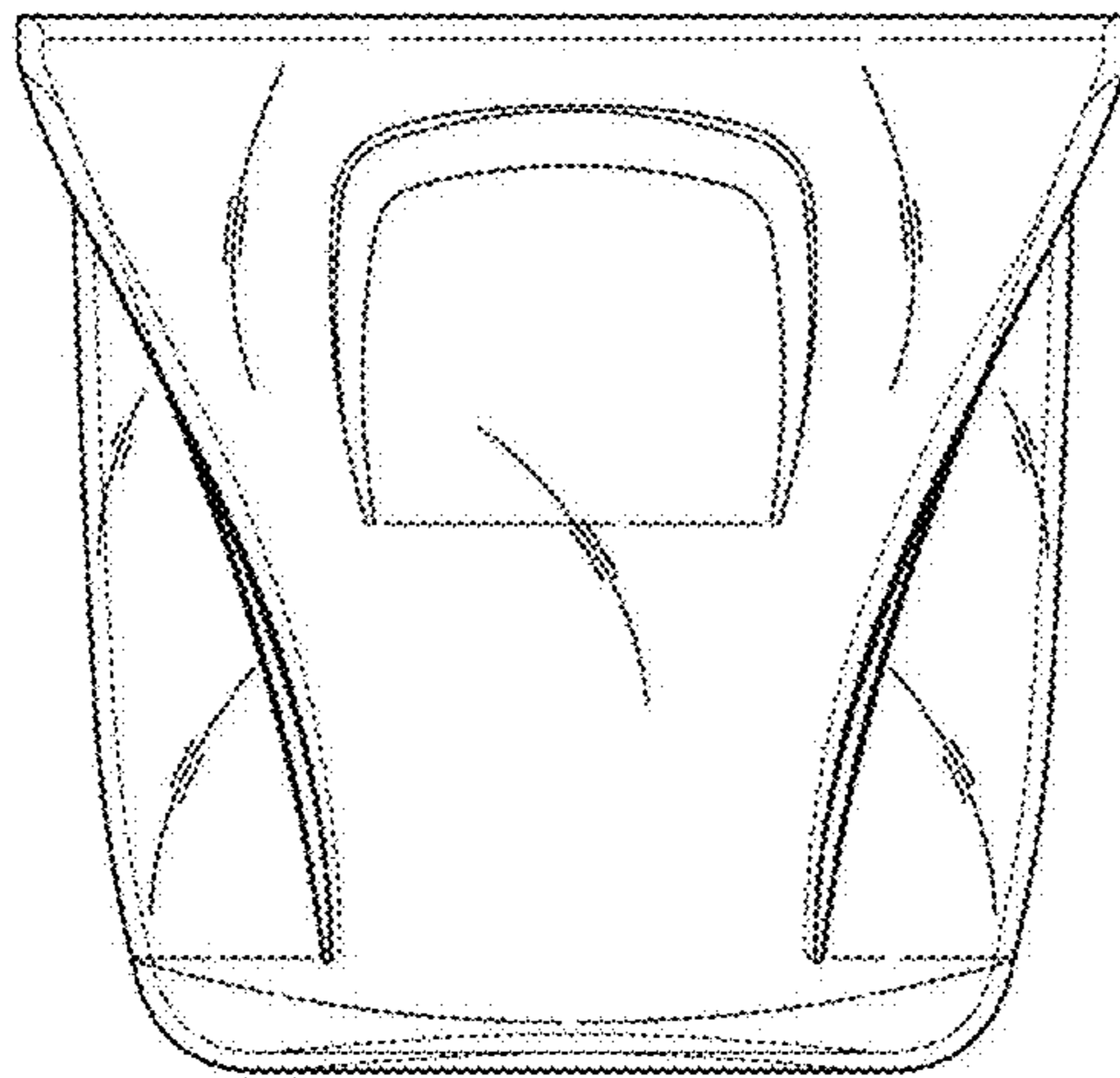


Fig. 3

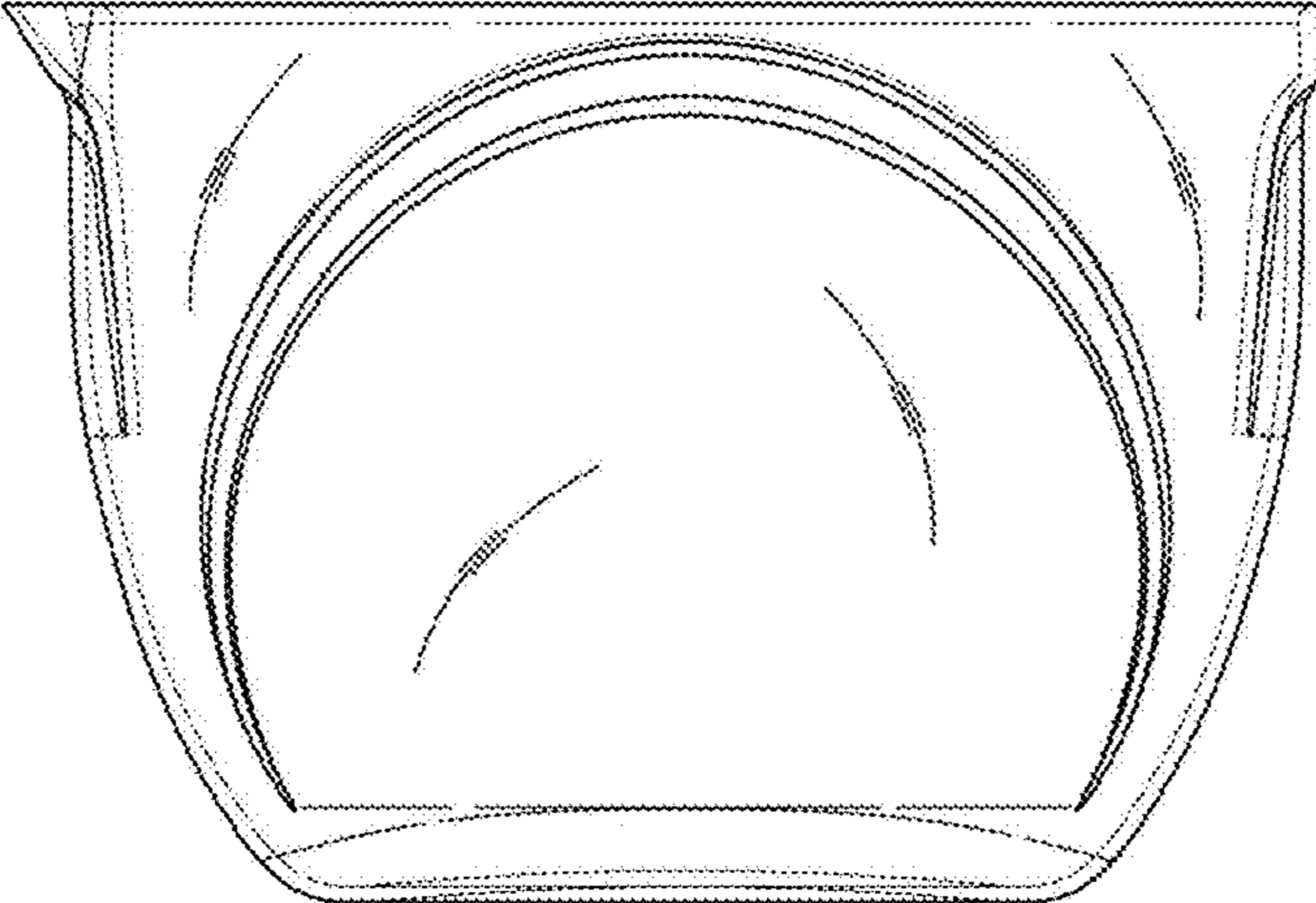


Fig. 4

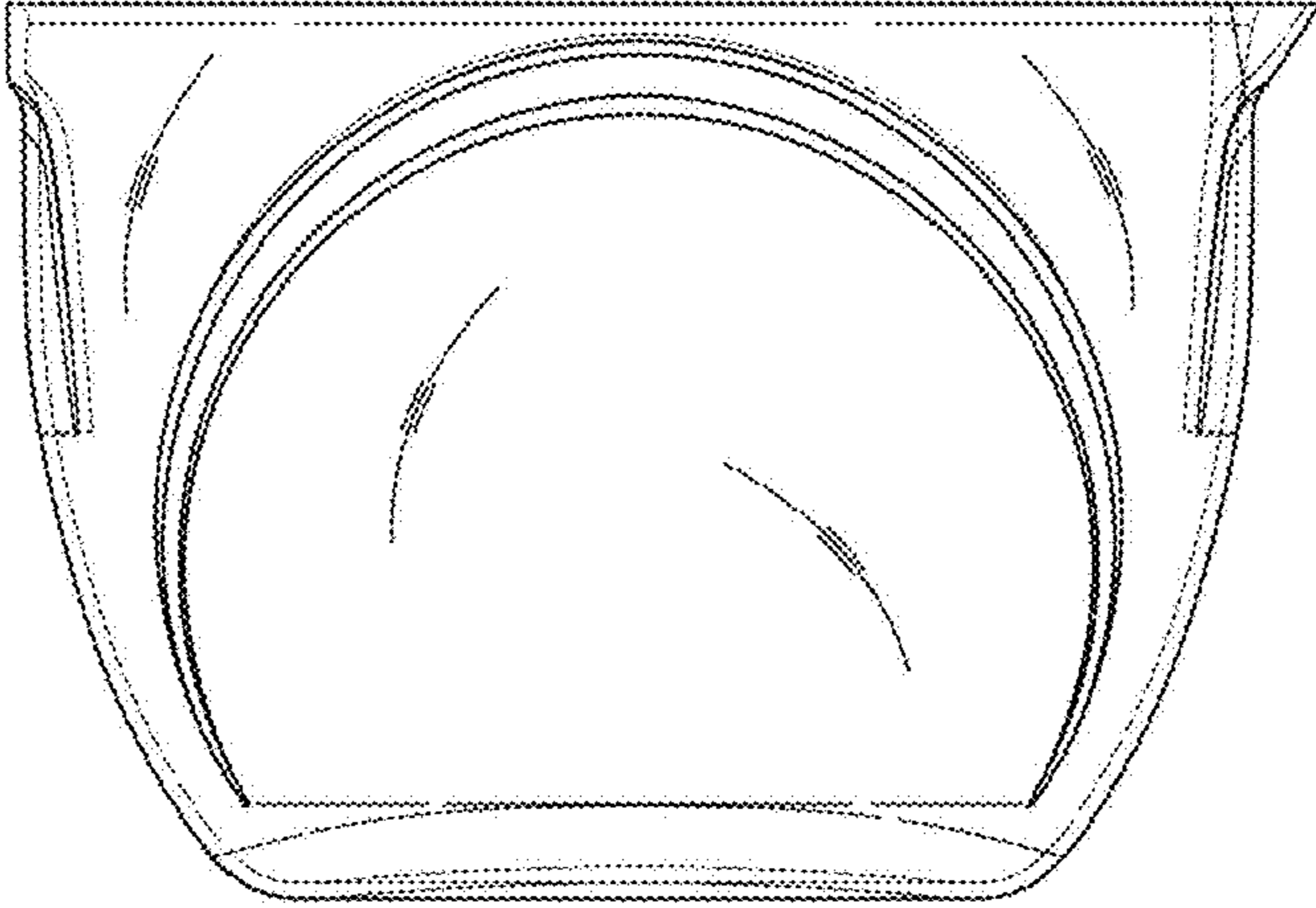


Fig. 5

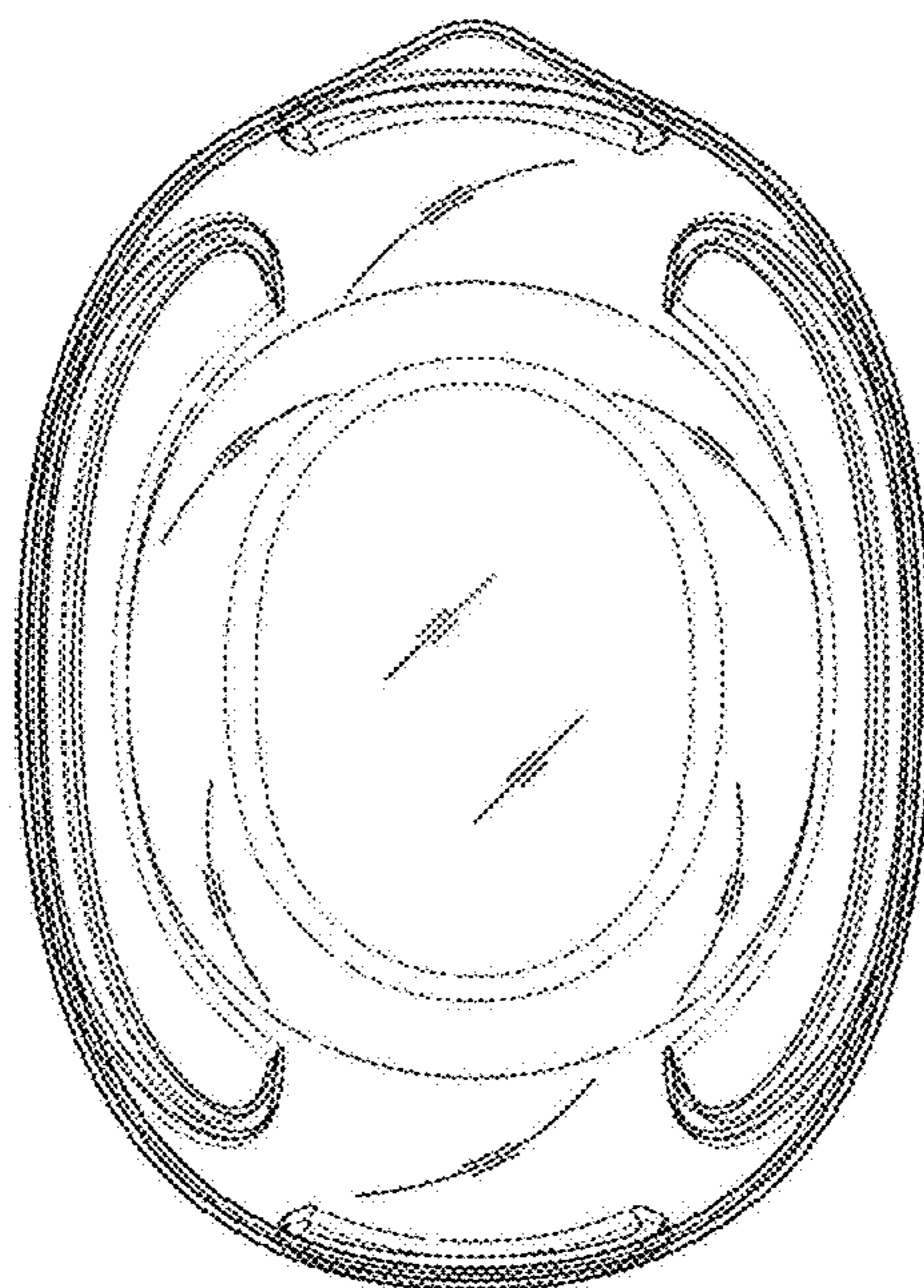


Fig. 6

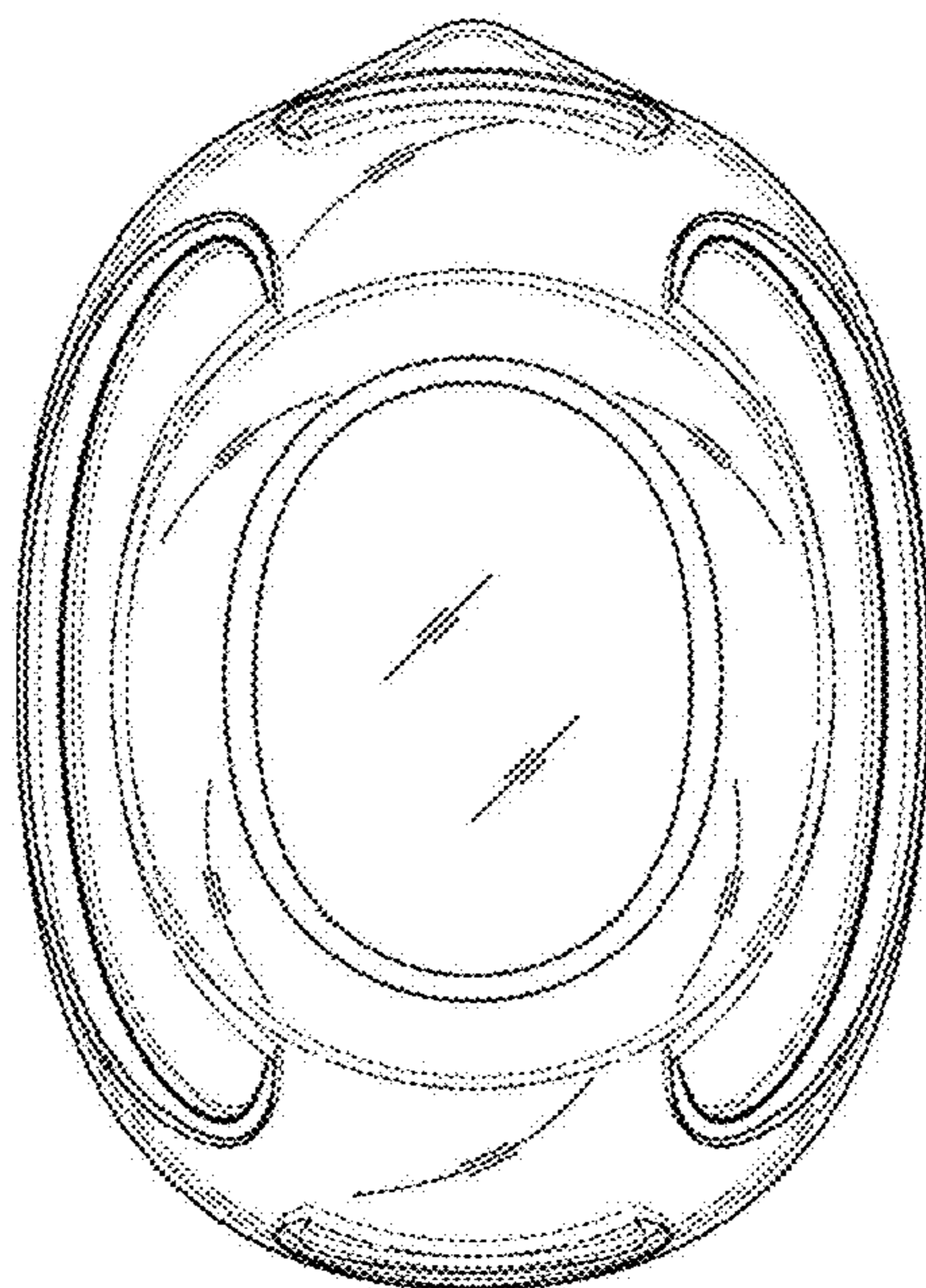


Fig. 7