



US00D871235S

(12) **United States Design Patent**
Mahon

(10) **Patent No.:** **US D871,235 S**

(45) **Date of Patent:** **** Dec. 31, 2019**

- (54) **FOOD STORAGE CONTAINER**
- (71) Applicant: **Joseph Mahon**, Brea, CA (US)
- (72) Inventor: **Joseph Mahon**, Brea, CA (US)
- (**) Term: **15 Years**
- (21) Appl. No.: **29/641,036**
- (22) Filed: **Mar. 19, 2018**
- (51) **LOC (12) Cl.** **09-03**
- (52) **U.S. Cl.**
USPC **D9/761; D7/703**
- (58) **Field of Classification Search**
USPC D9/761, 420-422, 424, 425, 430-432,
D9/737; D7/555, 553.1, 553.2, 553.3,
D7/553.7, 701, 703, 602, 629, 601;
220/23.83, 553, 833, 500, 555, 557, 659,
220/904, 4.01, 4.21-4.27, 520, 521, 526,
220/528, 529, 231, 503, 504, 507;
206/561, 564, 541, 546, 549, 545, 542;
229/404, 902, 906, 120.21, 120.32;
426/120, 124, 109; 493/84, 128;
219/729
CPC B65D 1/24; B65D 21/02; B65D 25/04;
B65D 43/16; A45C 11/20; A61B
2050/3008; H05B 6/80; Y10S 229/904;
B23P 19/04; B31B 1/74; B31B 1/62;
B31B 17/00
See application file for complete search history.

(56) **References Cited**

U.S. PATENT DOCUMENTS

- 3,567,013 A 3/1971 Tannenbaum
- 3,580,650 A * 5/1971 Morris H04B 1/086
312/7.1
- 3,933,296 A * 1/1976 Ruskin B65D 1/36
229/406
- 3,999,661 A * 12/1976 Jones B65D 81/027
206/591
- 4,951,866 A 8/1990 Rusnak

- 5,012,971 A 5/1991 Cozzi et al.
- 5,277,329 A * 1/1994 Pomroy B65D 1/24
206/541
- 5,323,898 A * 6/1994 Kester B65D 25/10
206/709
- 5,857,583 A * 1/1999 Chantaca A47G 19/065
206/564
- D405,363 S * 2/1999 Herbruck D9/762

(Continued)

Primary Examiner — W. A. Teddy Falloway

(74) *Attorney, Agent, or Firm* — Eric Karich; Karich & Associates

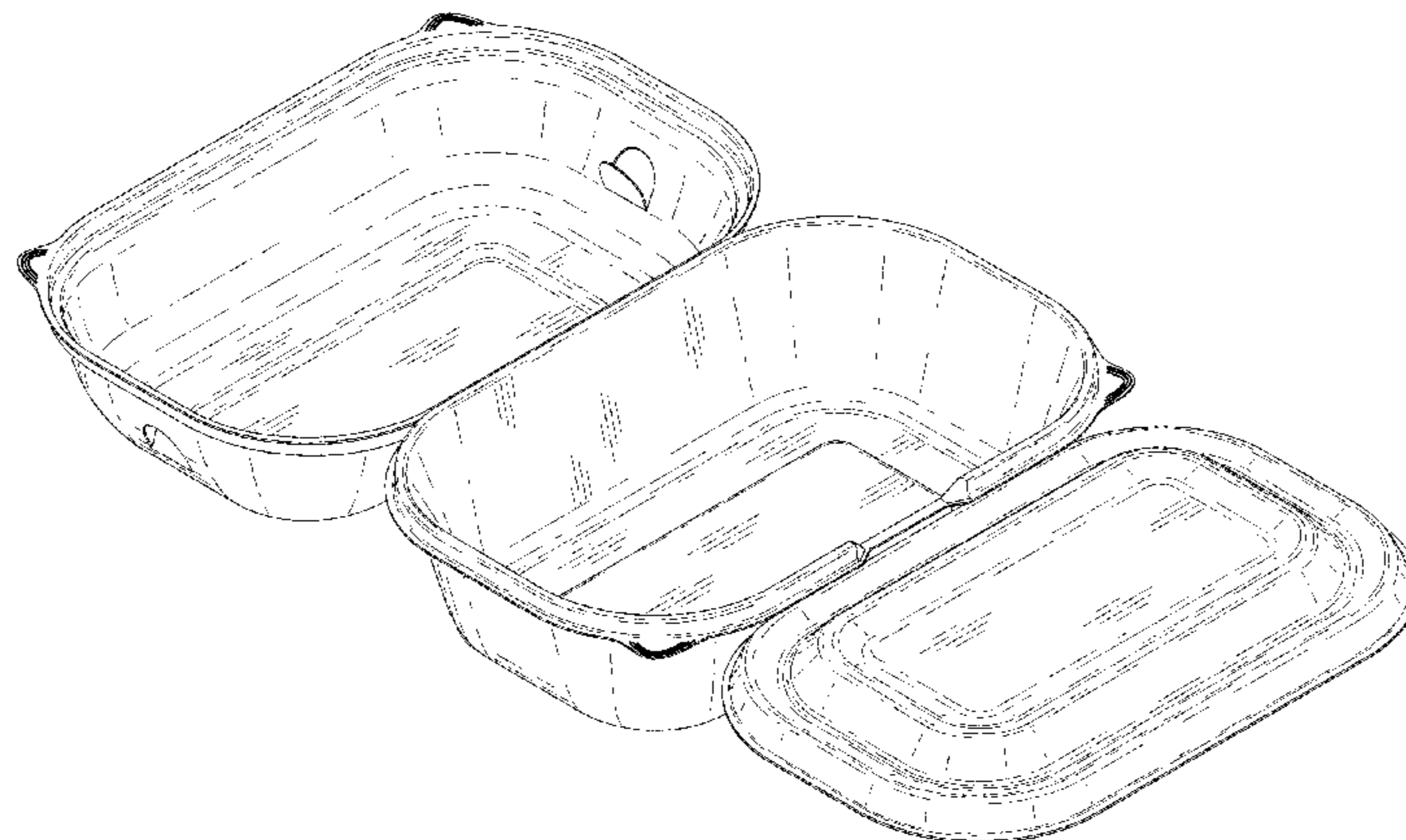
(57) **CLAIM**

The ornamental design for a food storage container, as shown and described.

DESCRIPTION

FIG. 1 is a perspective view of a food storage container in an open configuration, showing my new design;
 FIG. 2 is a perspective view of the food storage container in a partially closed configuration;
 FIG. 3 is a perspective view of the food storage container in a closed configuration;
 FIG. 4 is a front elevational view of the food storage container of FIG. 1;
 FIG. 5 is a rear elevational view thereof;
 FIG. 6 is a left side elevational view thereof;
 FIG. 7 is a right side elevational view thereof;
 FIG. 8 is a top plan view thereof;
 FIG. 9 is a bottom plan view thereof;
 FIG. 10 is another perspective view of the food storage container shown in FIG. 2;
 FIG. 11 is another top view of the food storage container shown in FIG. 8; and,
 FIG. 12 is another perspective view of the food storage container shown in FIG. 3.
 The broken lines depict portions of the article that form no part of the claimed design.

1 Claim, 9 Drawing Sheets



(56)

References Cited

U.S. PATENT DOCUMENTS

5,950,834 A * 9/1999 Woodnorth A45C 11/20
206/541
6,540,078 B1 * 4/2003 Homent B65D 43/162
206/438
D516,388 S * 3/2006 Wells D7/629
7,968,132 B2 6/2011 Archie, Jr.
D668,555 S 10/2012 Archie, Jr. et al.
D679,198 S * 4/2013 O'Connor D9/421
D694,617 S * 12/2013 Liu D9/421
D708,941 S * 7/2014 Das D9/425
9,038,817 B2 * 5/2015 Connolly B65B 5/08
206/3
9,038,840 B2 5/2015 Umholtz
D781,698 S * 3/2017 Koroukian D9/420
D786,666 S * 5/2017 Bordieri D9/421
D813,664 S * 3/2018 Magana D9/425
D828,078 S * 9/2018 Mattei D7/361
2009/0039076 A1 * 2/2009 Maslowski A47J 36/027
219/729
2009/0042705 A1 2/2009 Maslowski et al.
2009/0206090 A1 * 8/2009 Hanson B65D 1/36
220/526
2011/0121002 A1 5/2011 Stiller
2011/0215097 A1 9/2011 Archie, Jr. et al.

* cited by examiner

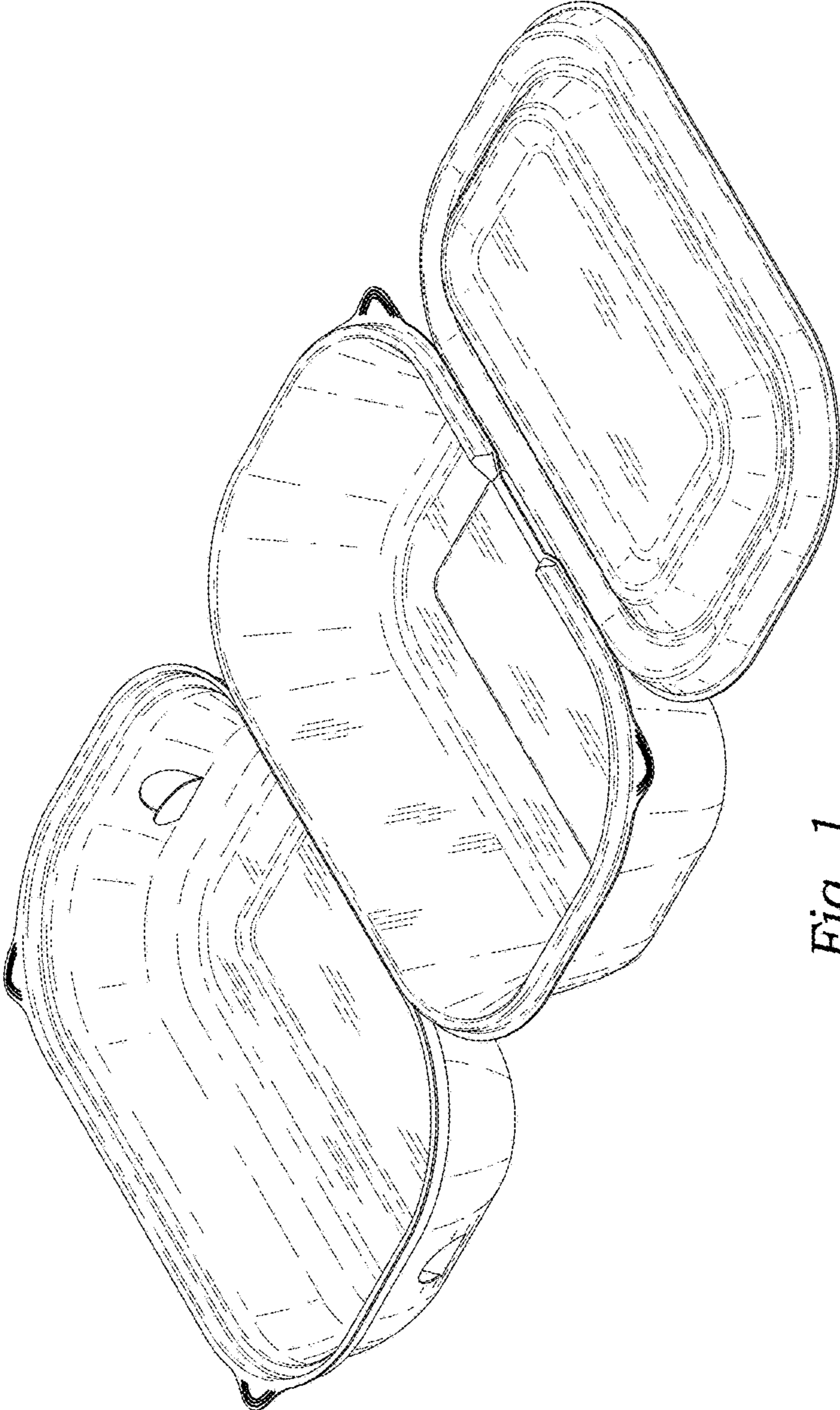


Fig. 1



Fig. 2

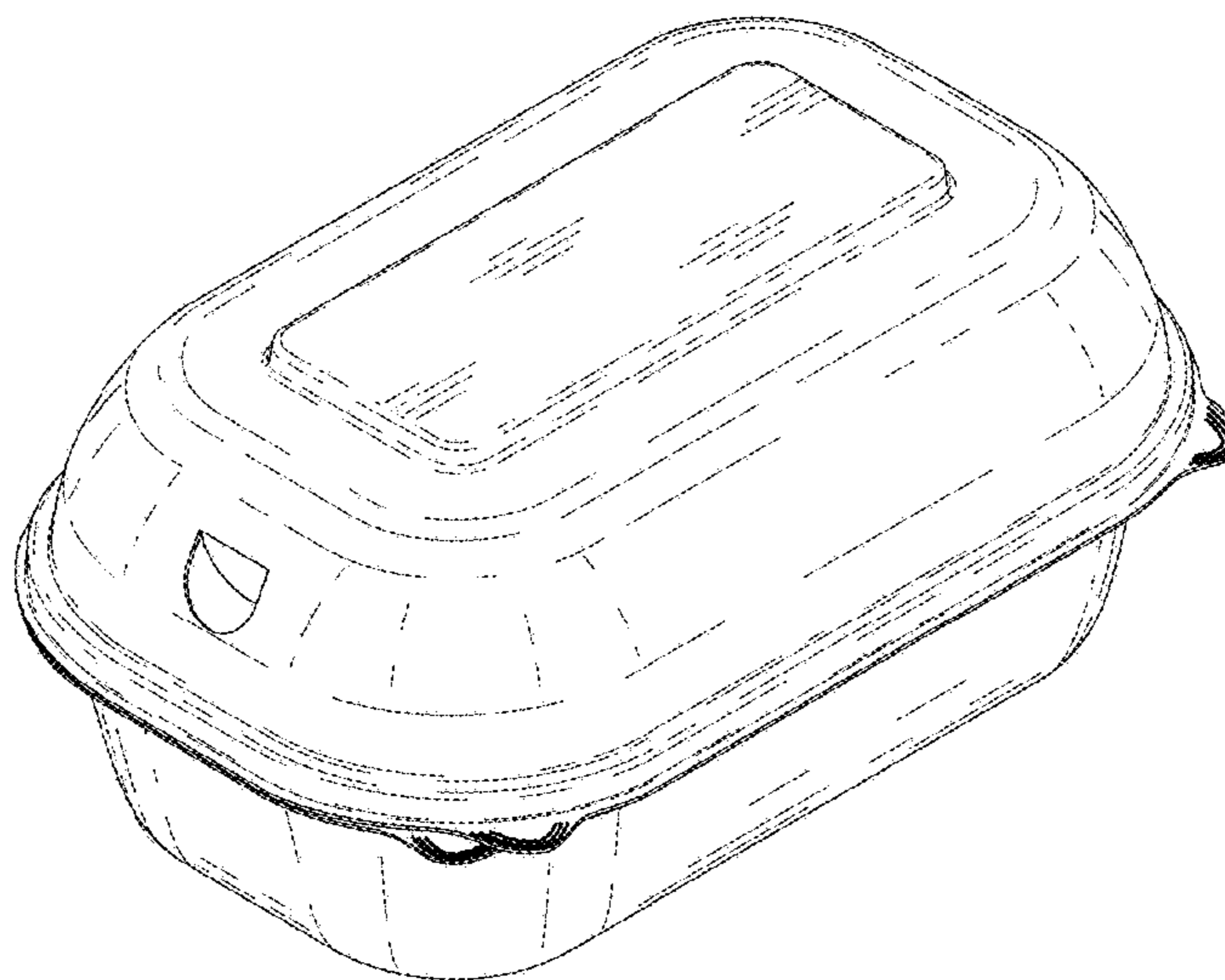


Fig. 3

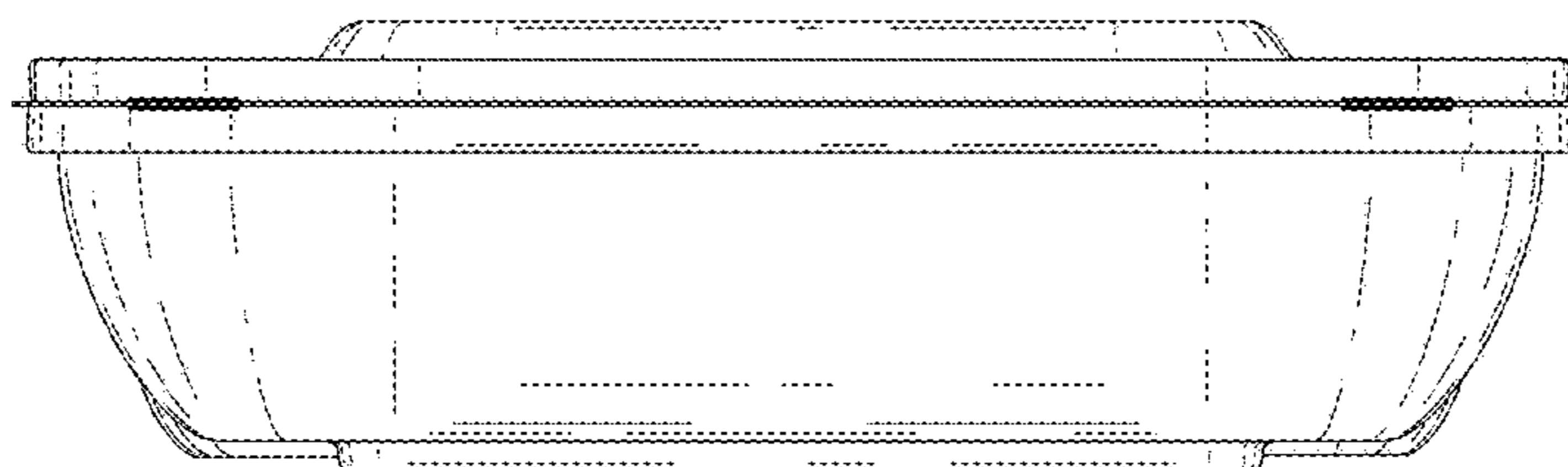


Fig. 4

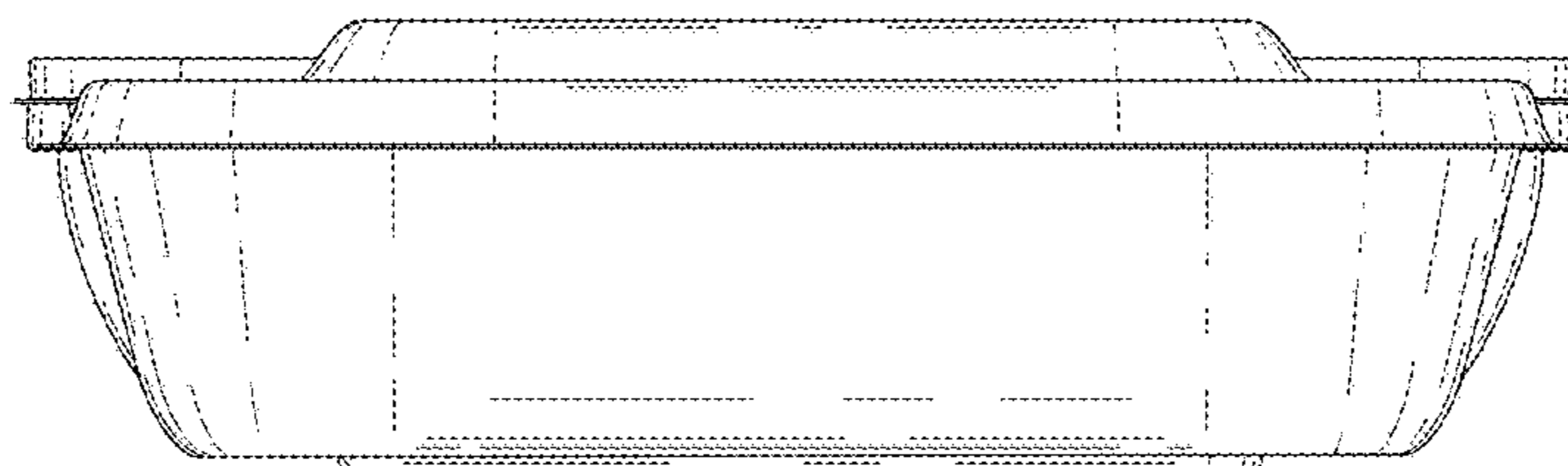


Fig. 5

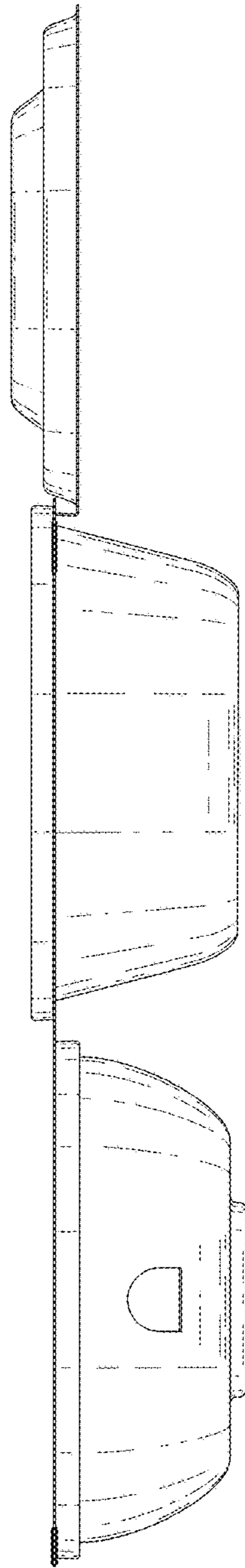


Fig. 6

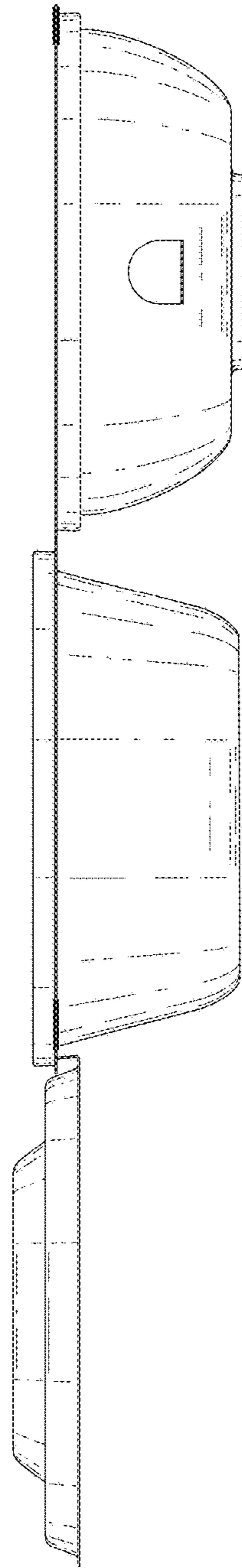


Fig. 7

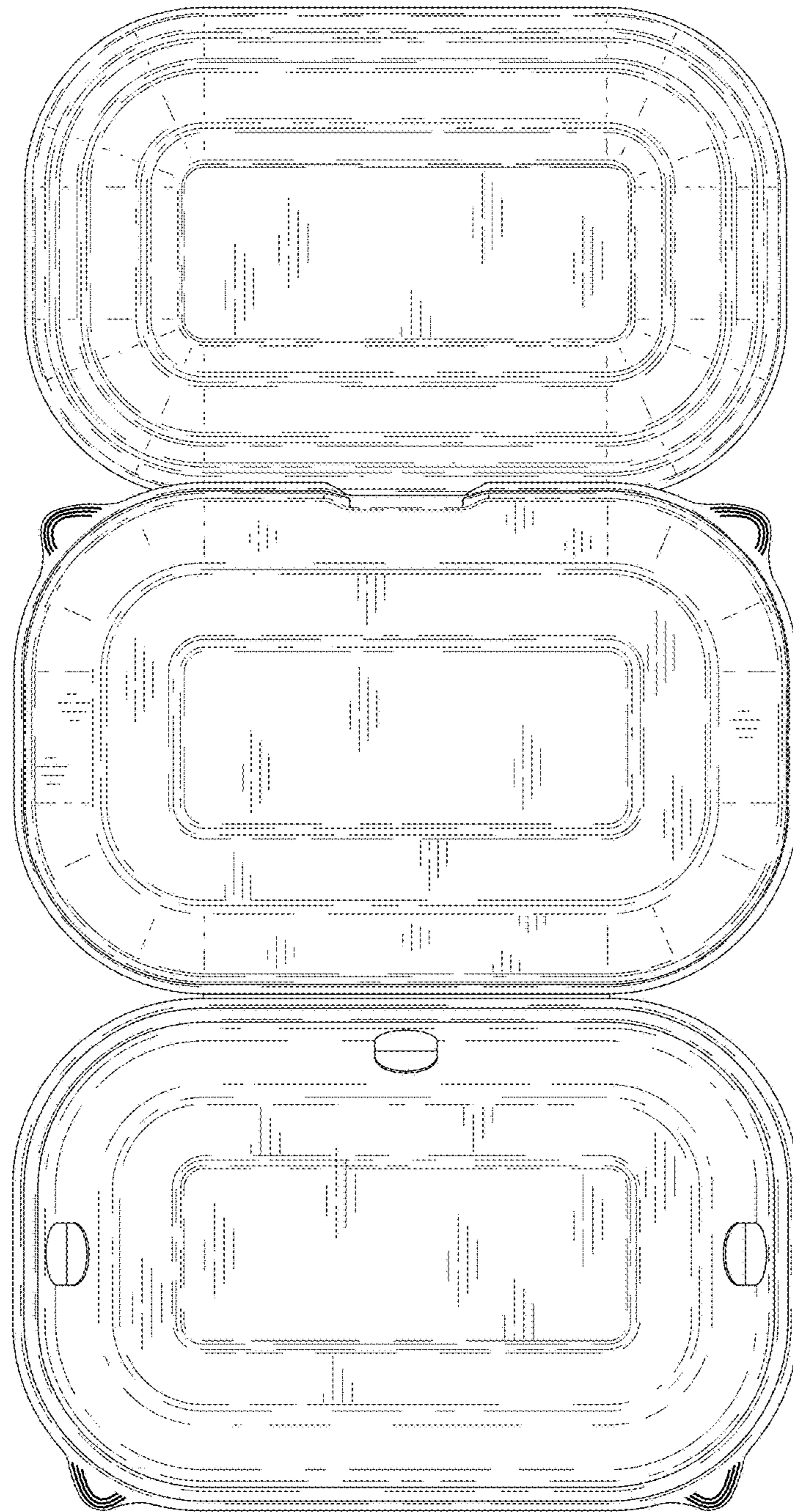


Fig. 8

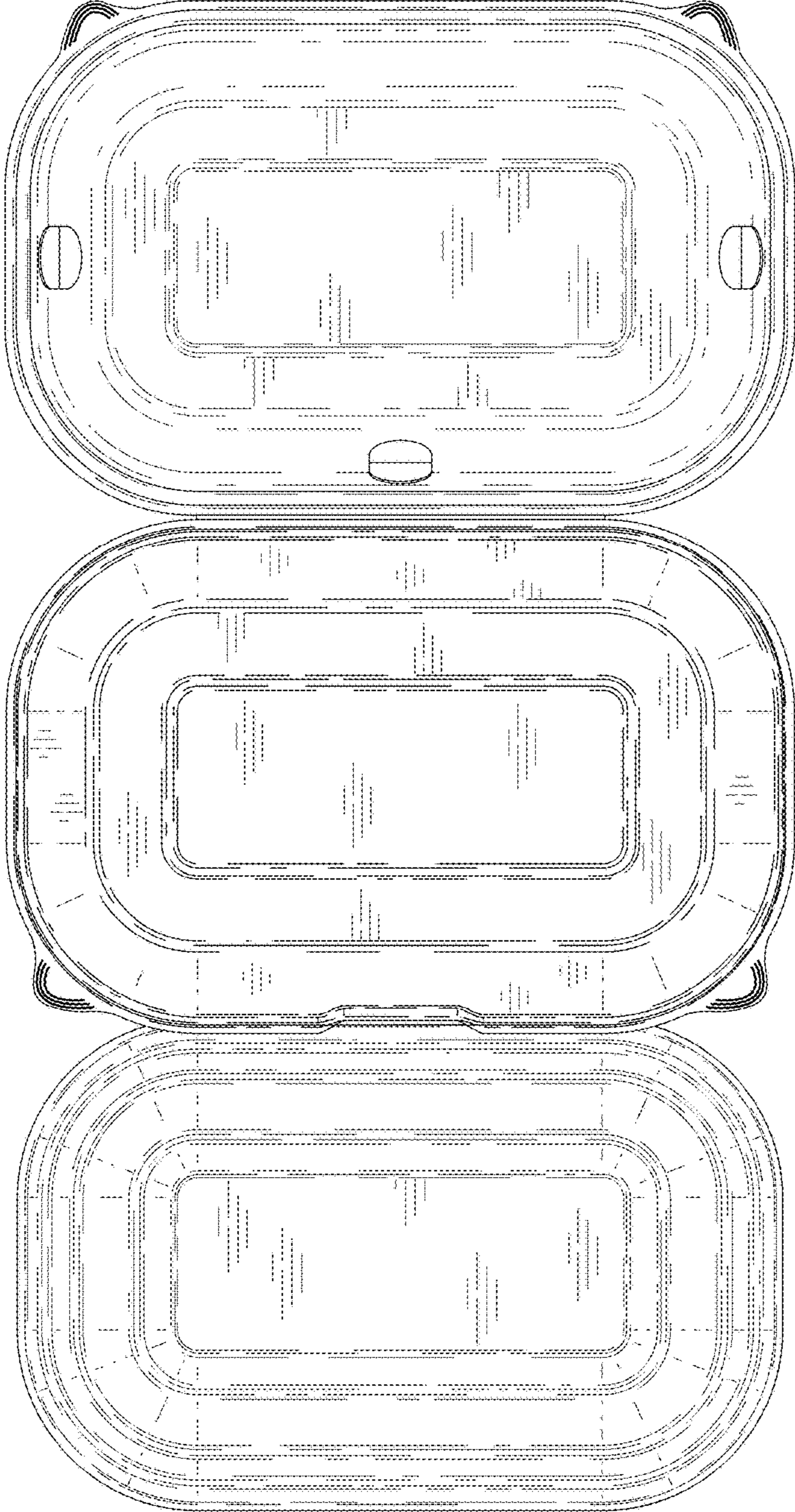


Fig. 9

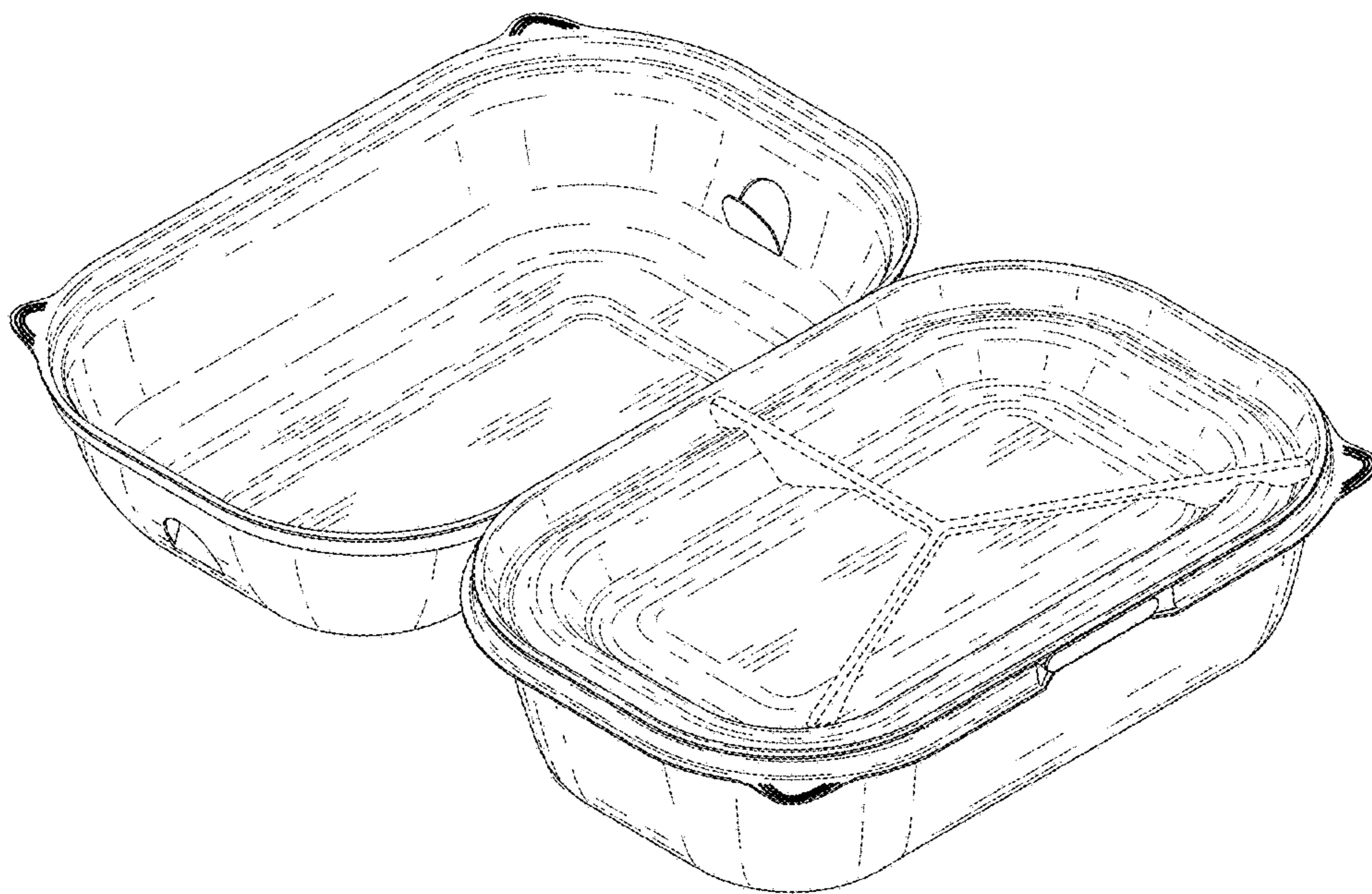


Fig. 10

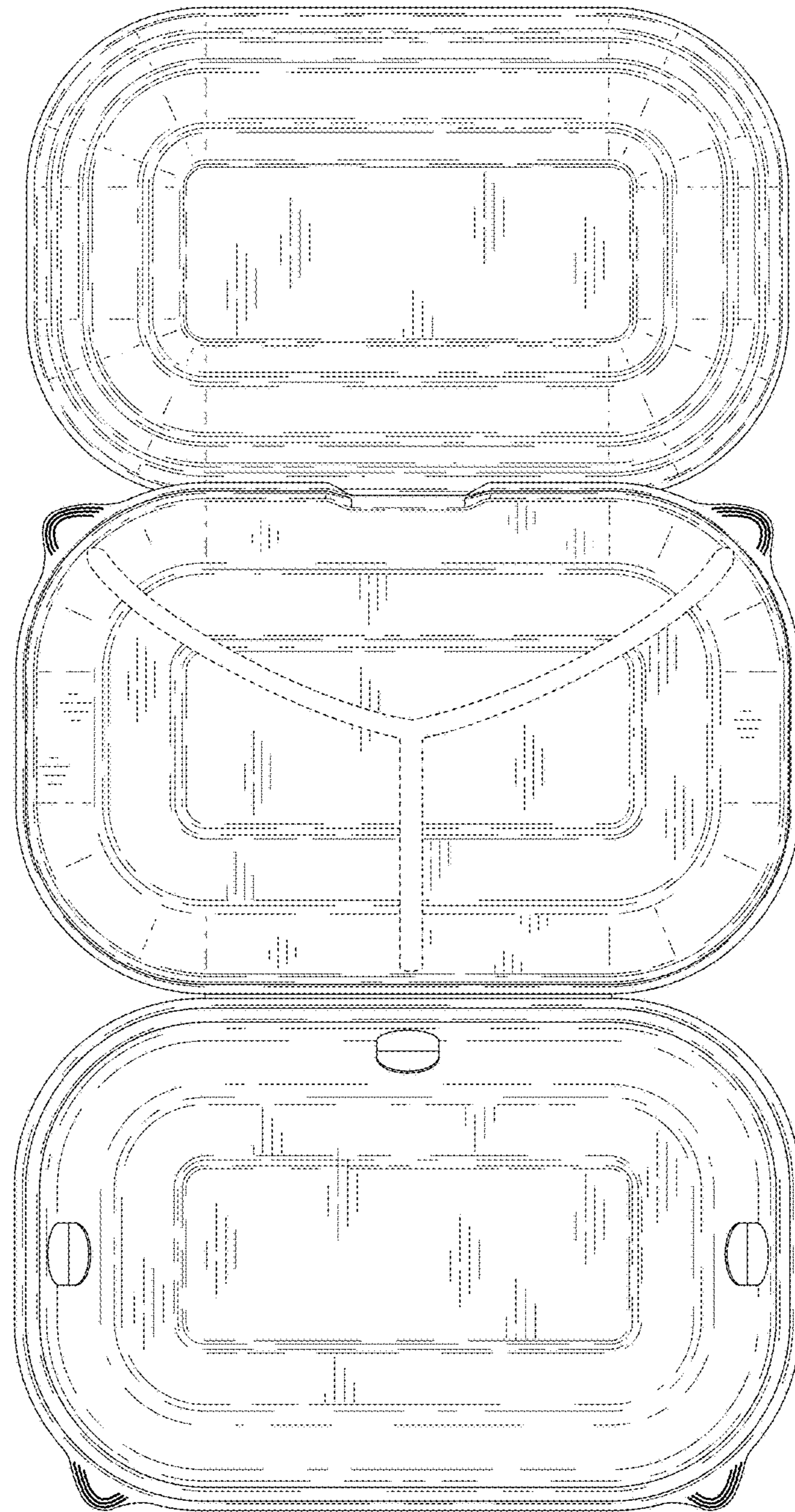


Fig. 11

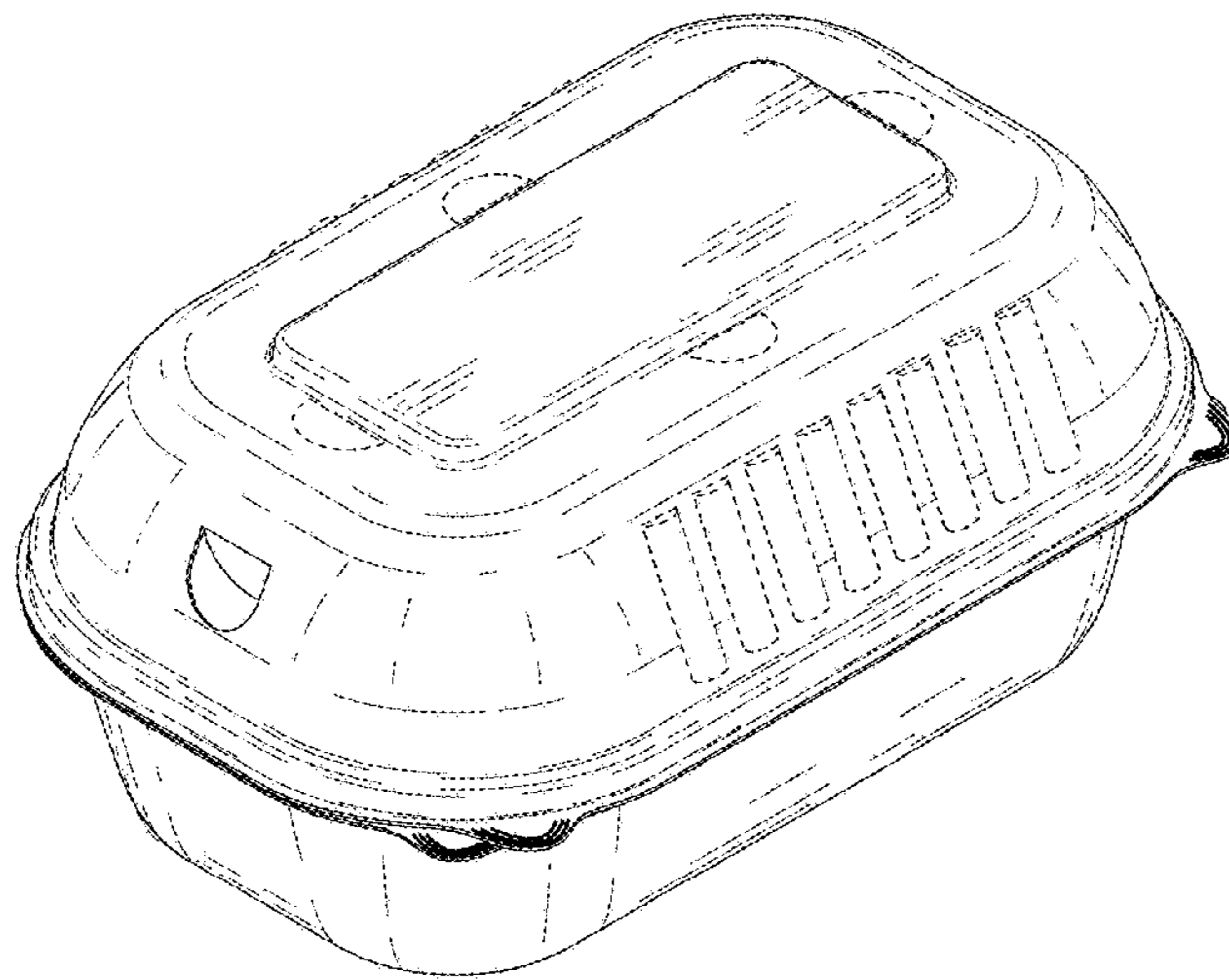


Fig. 12