



US00D871234S

(12) **United States Design Patent** (10) **Patent No.:** **US D871,234 S**
Grove (45) **Date of Patent:** **** Dec. 31, 2019**

(54) **ROLL-UP FOOD TRAY**

(71) Applicant: **James E Grove**, Marina Del Rey, CA (US)

(72) Inventor: **James E Grove**, Marina Del Rey, CA (US)

(73) Assignee: **L.A. Packaging Design, LLC**, Compton, CA (US)

(**) Term: **15 Years**

(21) Appl. No.: **29/608,588**

(22) Filed: **Jun. 22, 2017**

(51) **LOC (12) Cl.** **09-03**

(52) **U.S. Cl.**
USPC **D9/761; D9/760; D7/553.3; D7/557**

(58) **Field of Classification Search**
USPC D9/737, 748, 749, 756-762, 414, D9/430-432, 456; D7/550.1, D7/553.1-554.4, 555, 557, 584, 586, 587, D7/601, 602, 701, 705-708, 619.1, 300, D7/305, 311, 357, 354; D3/203.3, 202, D3/201, 304, 305, 310-315; D11/143, D11/155; D19/101, 102, 107, 75, 77, 85; D24/216, 224, 226, 227, 229; D30/130; 206/216, 217, 541-550, 518, 557, 558, 206/561, 564, 223, 467; 220/23.83, 212, 220/500, 506, 507, 553, 555, 556, 560, 220/561, 574, 575, 577, 657, 659; 426/106
CPC . A21B 3/134; A21B 3/132; A61B 2050/3008; A61B 2050/3009; A61B 50/33; A61C 2202/00; B65D 1/30; B65D 21/0206; B65D 75/24; B65D 75/327; B65D 75/367
See application file for complete search history.

(56) **References Cited**

U.S. PATENT DOCUMENTS

1,263,103	A *	4/1918	Pfeil	A47J 39/00
					99/448
1,568,742	A *	1/1926	Jung	A21B 3/134
					249/133
1,671,450	A *	5/1928	Ross	A21B 3/134
					99/447
D209,605	S *	12/1967	Zoeller et al.	D7/359
D223,145	S *	3/1972	Bloch	D9/456
D236,881	S *	9/1975	Mitchell	D9/759
D293,193	S *	12/1987	Vandervoort	D7/354
D305,729	S *	1/1990	Bridel	D9/756
D306,139	S *	2/1990	Bridel	D9/756
D354,197	S *	1/1995	Fish	D7/504

(Continued)

Primary Examiner — W. A. Teddy Falloway

(74) *Attorney, Agent, or Firm* — Morland C. Fischer

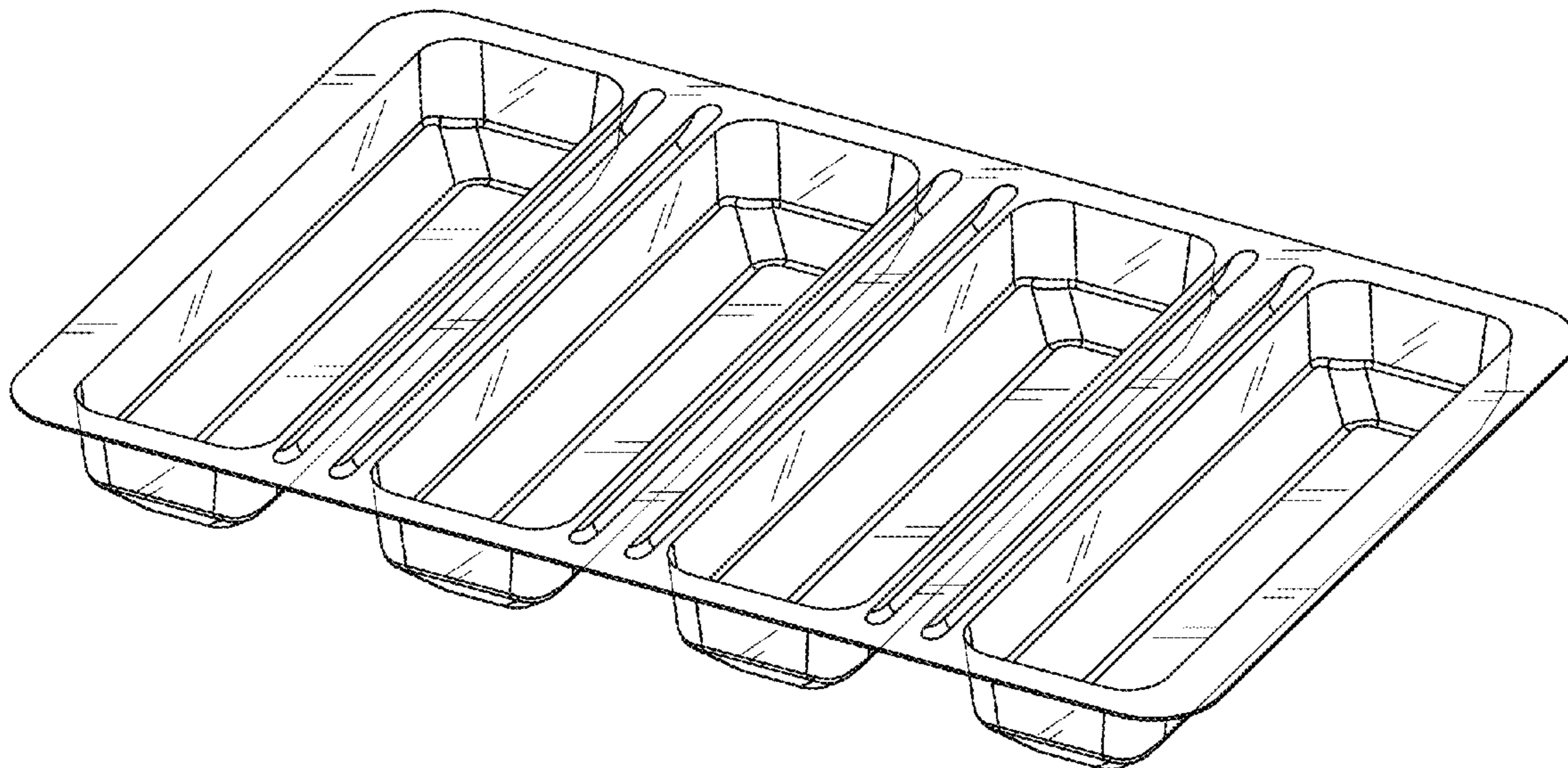
(57) **CLAIM**

The ornamental design for a roll-up food tray, as shown and described.

DESCRIPTION

FIG. 1 is a perspective view showing the top, front and right side of a roll-up food tray, which forms my new design, wherein the roll-up food tray is unrolled;
FIG. 2 is a top plan view thereof;
FIG. 3 is a front elevational view thereof, this view and the opposite rear elevational view being identical;
FIG. 4 is a left side elevational view thereof, this view and the opposite right side elevational view being identical;
FIG. 5 is a bottom plan view thereof;
FIG. 6 is a front elevational view showing the top and front of the roll-up food tray, wherein the roll-up food tray is rolled up; and,
FIG. 7 is a perspective view of the roll-up food tray of FIG. 1, wherein the broken lines illustrate a sleeve representing environment that forms no part of the claimed design.

1 Claim, 3 Drawing Sheets



(56)

References Cited

U.S. PATENT DOCUMENTS

D436,730 S * 1/2001 Dembicks D3/313
 D437,116 S * 2/2001 Dembicks D3/313
 D451,676 S * 12/2001 Dembicks D3/313
 D530,160 S * 10/2006 Maltese D7/629
 D549,456 S * 8/2007 Dretzka D3/304
 D590,596 S * 4/2009 Dretzka D3/304
 D591,175 S * 4/2009 Larson D9/425
 D616,250 S * 5/2010 Peyton D7/553.3
 D636,219 S * 4/2011 Cornu D7/354
 D651,922 S * 1/2012 Short D9/737
 D655,165 S * 3/2012 Jensen B65D 25/10
 D688,572 S * 8/2013 Marin D9/425
 D707,077 S * 6/2014 Sarnoff D7/354
 D713,196 S * 9/2014 Sarnoff D7/357
 D729,624 S * 5/2015 Carroll D9/456
 D734,169 S * 7/2015 Harper D9/756
 9,332,766 B2 * 5/2016 Tingley A21B 3/132

9,468,216 B2 * 10/2016 Parth A21B 3/134
 D804,961 S * 12/2017 Shoshan D9/737
 D808,039 S * 1/2018 Self D24/227
 D813,028 S * 3/2018 Saito D9/415
 D814,929 S * 4/2018 Bergeron D9/456
 D827,451 S * 9/2018 Parikh D9/756
 D846,144 S * 4/2019 Fawdington D24/224
 D855,478 S * 8/2019 Vorobej D9/756
 2003/0116459 A1 * 6/2003 Sarkar B65D 75/36
 206/362.1
 2010/0065562 A1 * 3/2010 Vovan B65D 1/30
 220/23.4
 2011/0072981 A1 * 3/2011 Tingley A21B 3/134
 99/426
 2014/0272056 A1 * 9/2014 Parth A21B 3/134
 426/497
 2016/0262843 A1 * 9/2016 Sellers A61B 50/33
 2016/0318682 A1 * 11/2016 Vorobej A45C 11/10
 2018/0224177 A1 * 8/2018 Gaines F25C 1/243
 2018/0280242 A1 * 10/2018 Fawdington A61J 7/0069

* cited by examiner

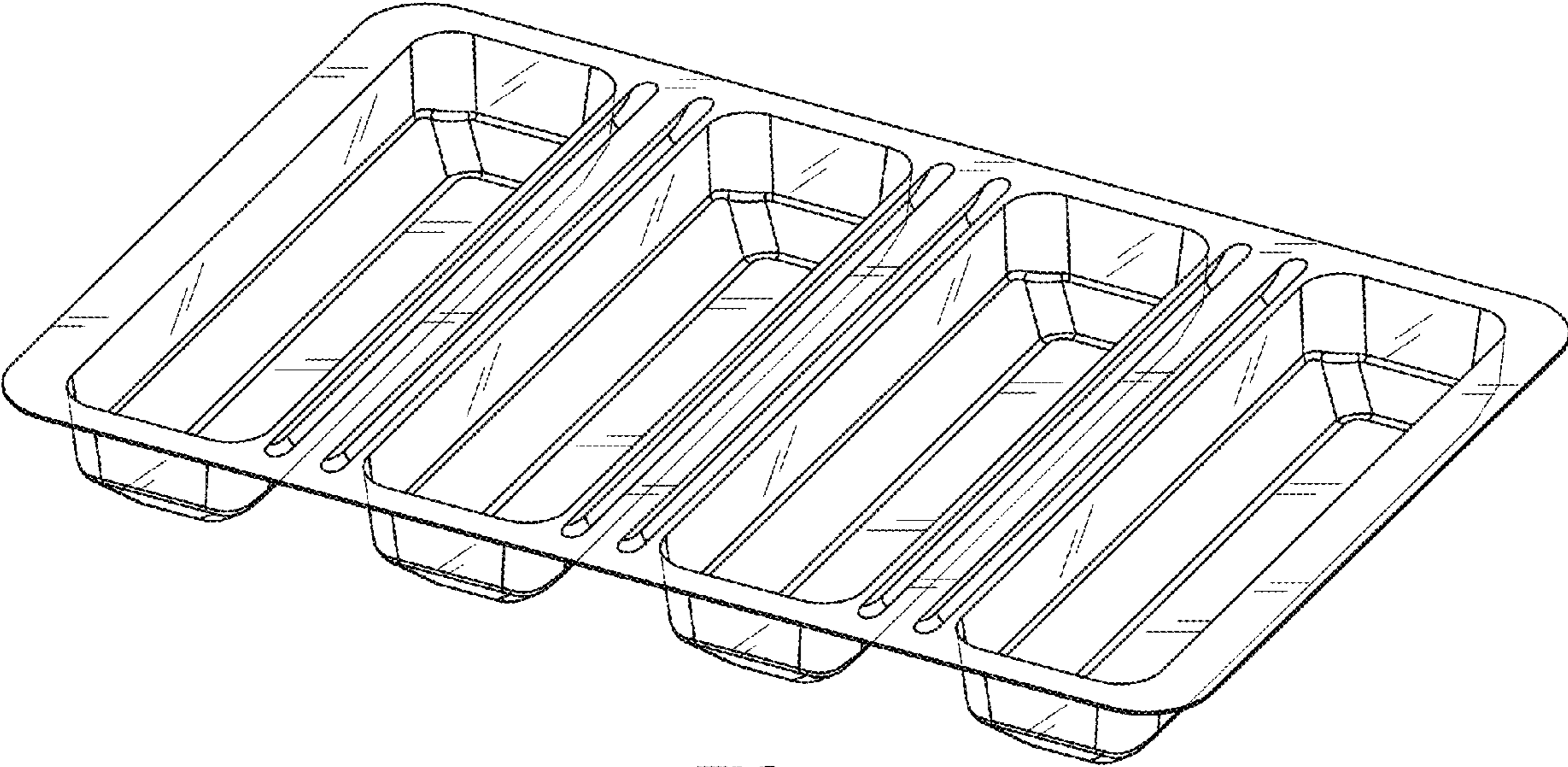


FIG. 1

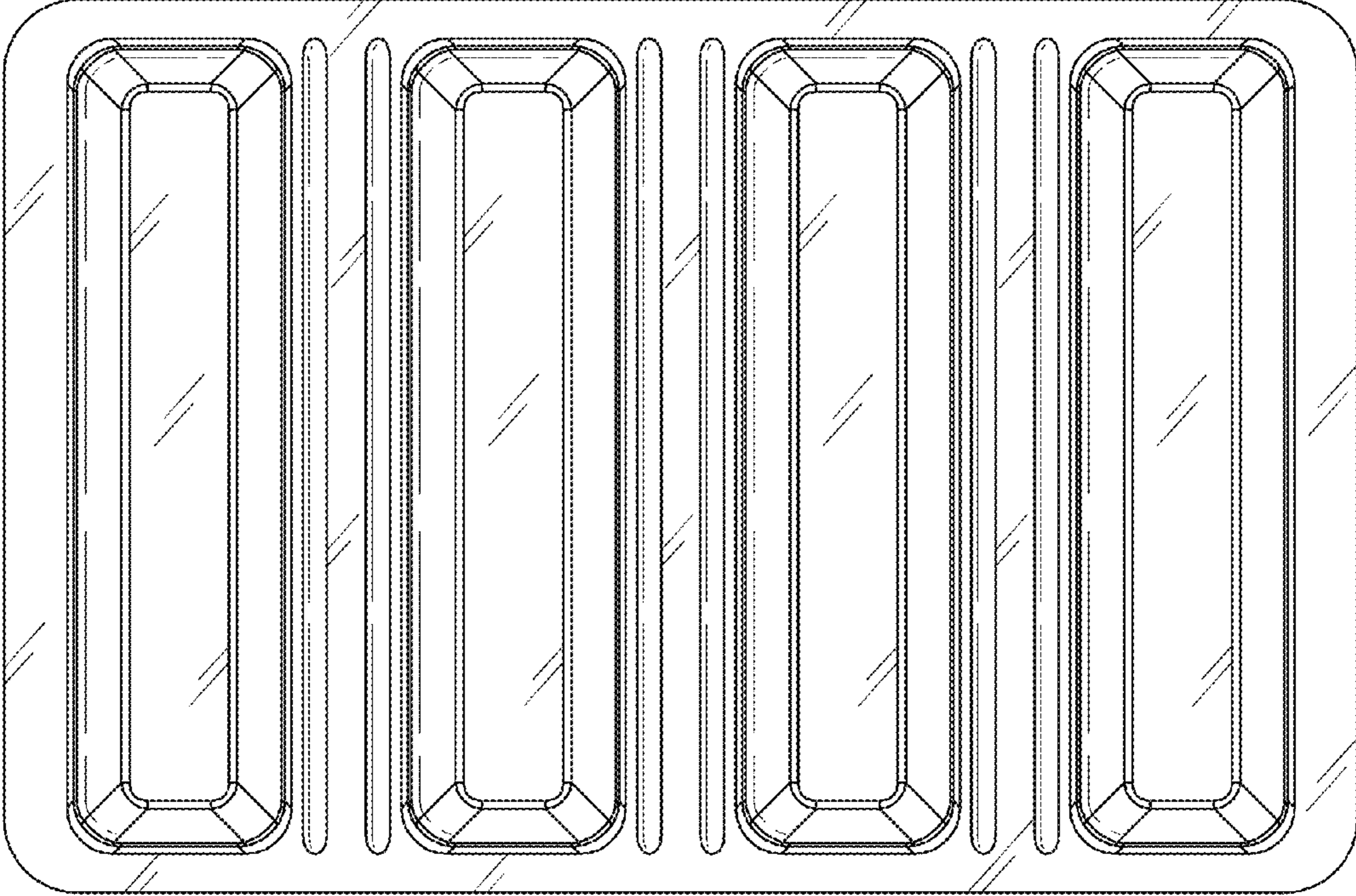


FIG. 2

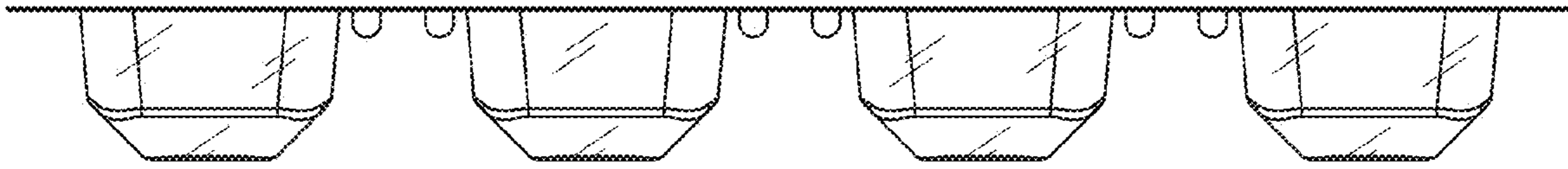


FIG. 3

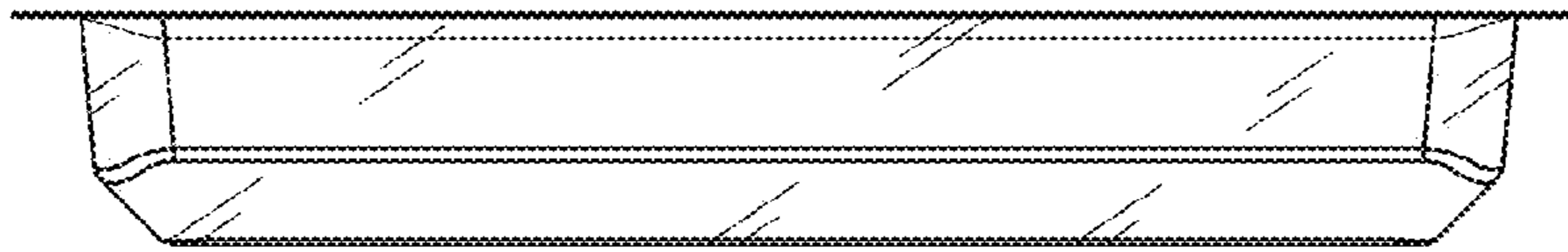


FIG. 4

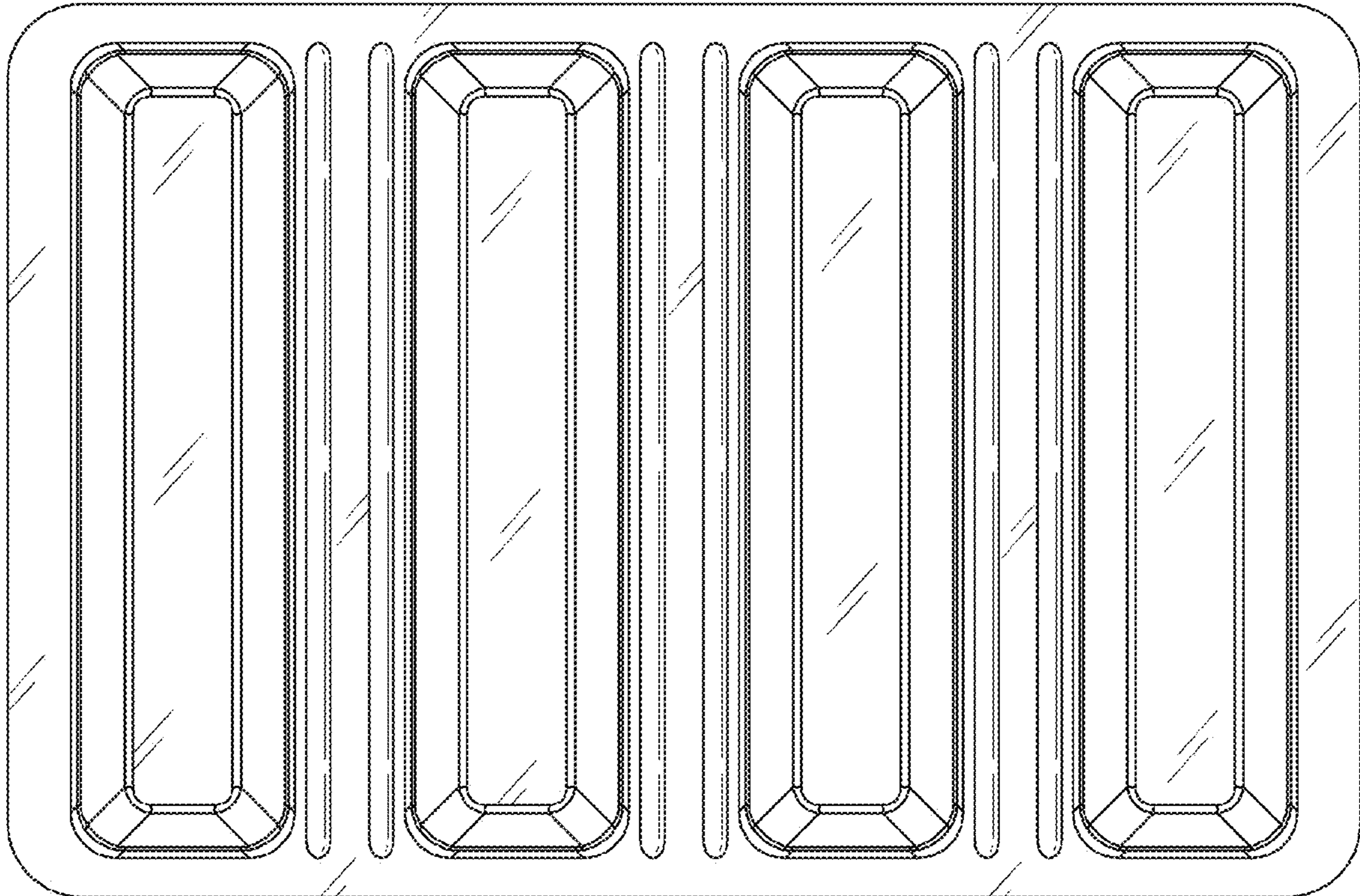


FIG. 5

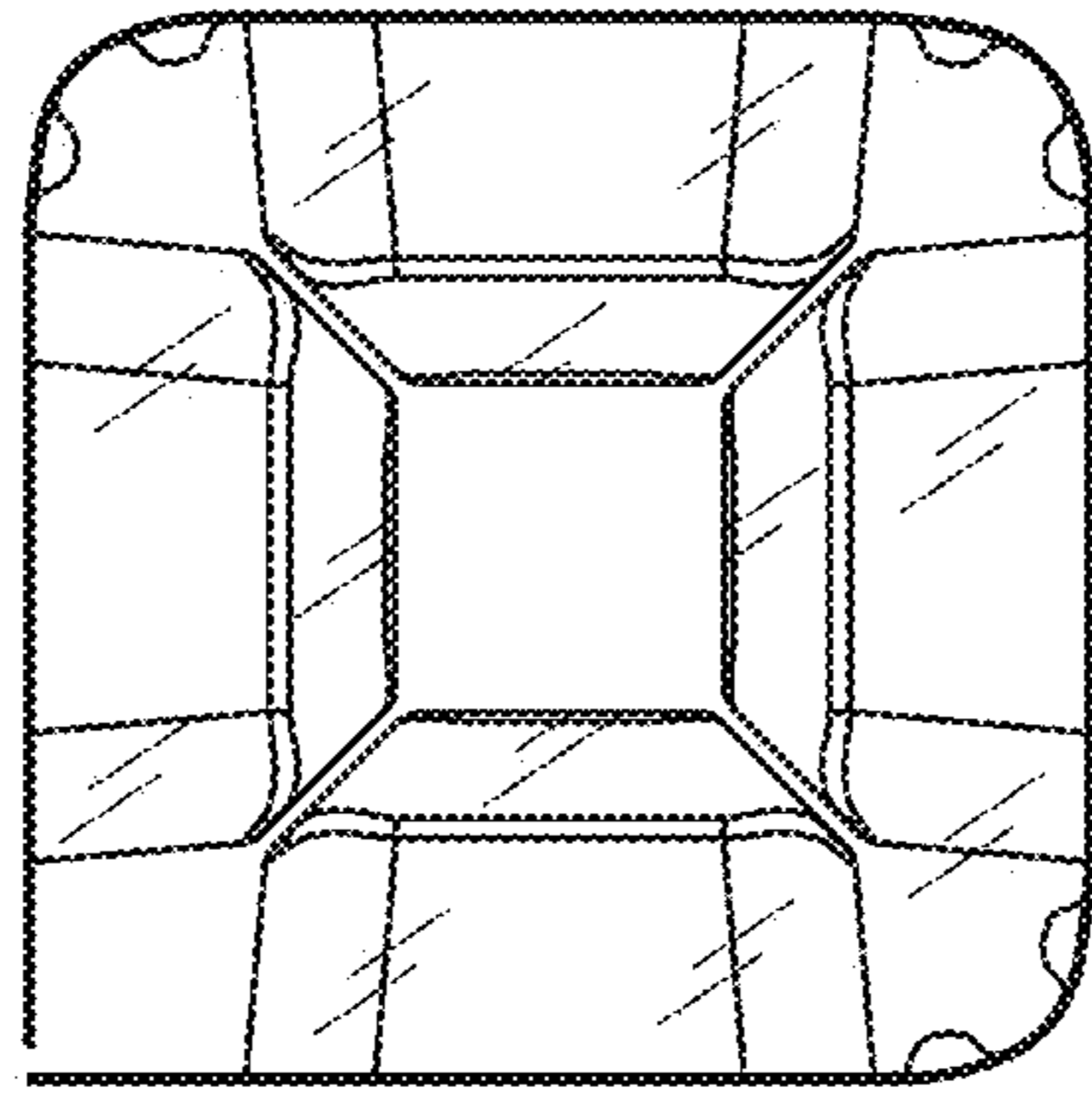


FIG. 6

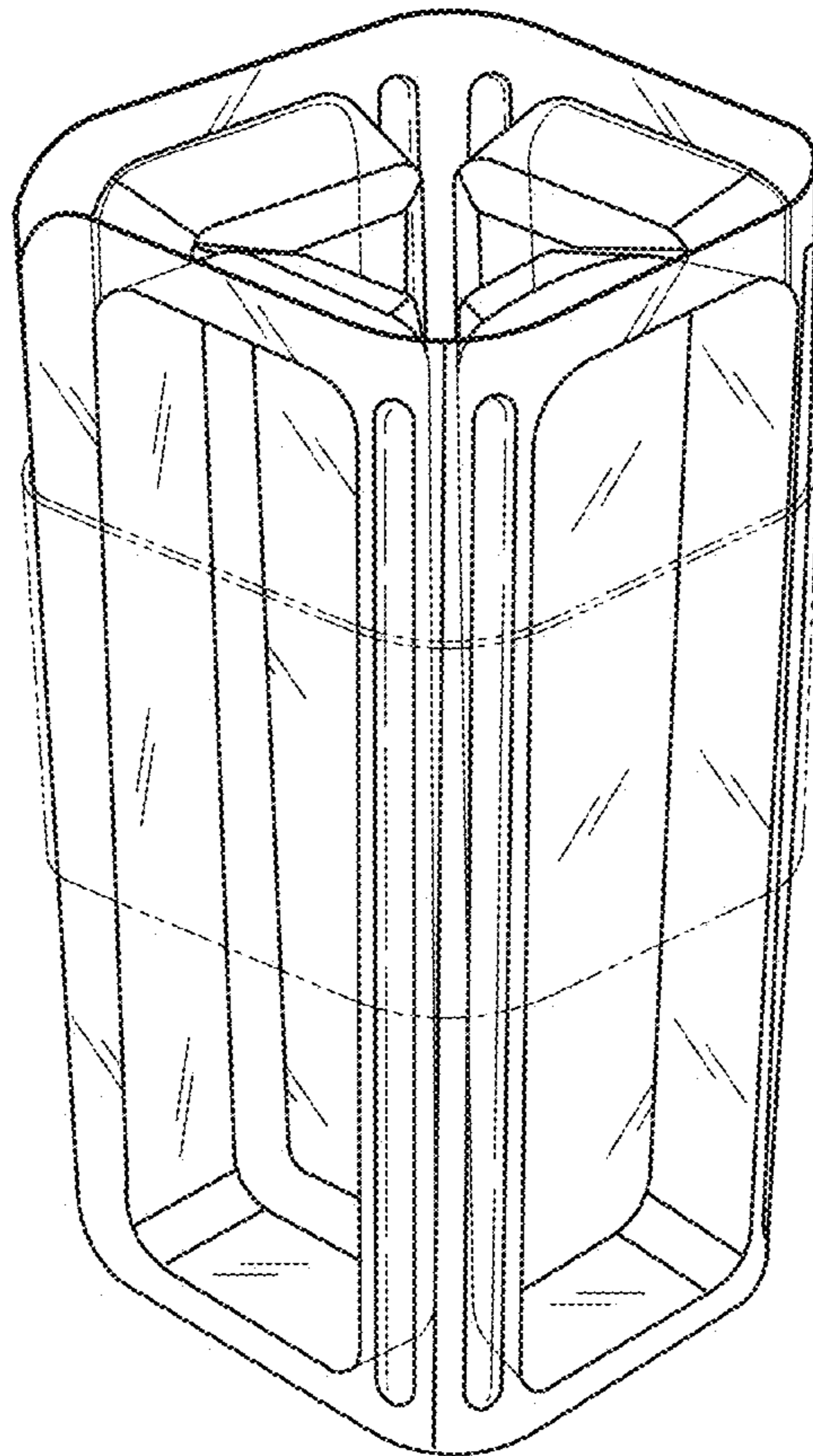


FIG. 7