



US00D871231S

(12) **United States Design Patent** (10) **Patent No.:** **US D871,231 S**
Kuwa et al. (45) **Date of Patent:** **** Dec. 31, 2019**

(54) **BLISTER PACKAGE** 5,537,389 A * 7/1996 Kuwa G11B 17/0436
 360/133
 (71) Applicant: **MAXELL HOLDINGS, LTD.**, Kyoto D485,491 S * 1/2004 Kyne D9/415
 (JP) D496,268 S * 9/2004 Stamm, Jr. D9/415
 D503,334 S * 3/2005 Keating D9/415
 (72) Inventors: **Tadahiro Kuwa**, Kyoto (JP); **Keiko** D534,795 S * 1/2007 Manuel D9/424
Yamanaka, Kyoto (JP) D548,110 S * 8/2007 Pugh D9/732
 D548,617 S * 8/2007 Ferguson D9/715
 D565,403 S * 4/2008 Caine D9/415
 (73) Assignee: **Maxell Holdings, Ltd.**, Kyoto (JP) D606,392 S * 12/2009 Prevost D9/415
 D608,221 S * 1/2010 Marchetti D9/732
 (**) Term: **15 Years** D615,190 S * 5/2010 McGill D24/111
 D627,217 S * 11/2010 Marcinkowski D9/415
 (21) Appl. No.: **35/505,501** D642,482 S * 8/2011 Stuiber D9/732
 D655,623 S * 3/2012 Mehren D9/732
 (22) Filed: **Feb. 14, 2018** D704,570 S * 5/2014 Tsai D19/86
 D733,552 S * 7/2015 Whalen, Jr. D9/415
 (80) **Hague Agreement Data** D821,865 S * 7/2018 Shaffer D9/418
 D844,428 S * 4/2019 Stadelmaier D9/415

Int. Filing Date: **Feb. 14, 2018**
 Int. Reg. No.: **DM/100270**
 Int. Reg. Date: **Feb. 14, 2018**
 Int. Reg. Pub. Date: **Aug. 17, 2018**

* cited by examiner

Primary Examiner — Rhea Shields

(74) Attorney, Agent, or Firm — Crowell & Moring LLP

(30) **Foreign Application Priority Data**

Aug. 15, 2017 (JP) 2017-017529
 Aug. 15, 2017 (JP) 2017-017530
 Aug. 15, 2017 (JP) 2017-017531
 Aug. 15, 2017 (JP) 2017-017532

(51) **LOC (12) Cl.** **09-01**
 (52) **U.S. Cl.**
 USPC **D9/732**

(58) **Field of Classification Search**
 USPC D9/732, 414–418, 715, 424; D19/86;
 D24/111
 CPC A01C 1/04; G11B 17/0436
 See application file for complete search history.

(56) **References Cited**

U.S. PATENT DOCUMENTS

4,168,002 A * 9/1979 Crosby A01C 1/04
 206/459.5
 D342,025 S * 12/1993 Abraben D9/732

(57) **CLAIM**

The ornamental design for a blister package, as shown and described.

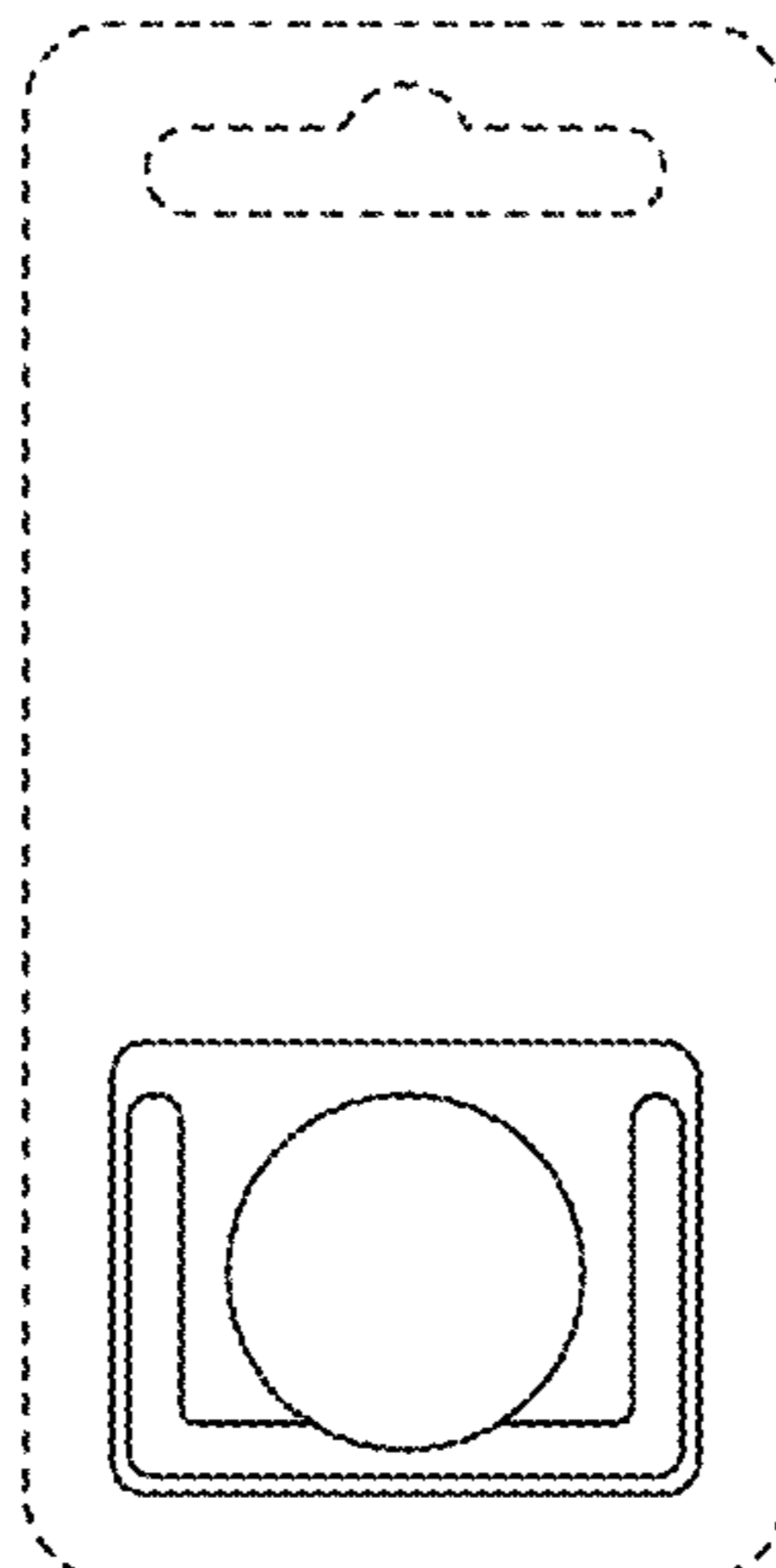
DESCRIPTION

Blister Package

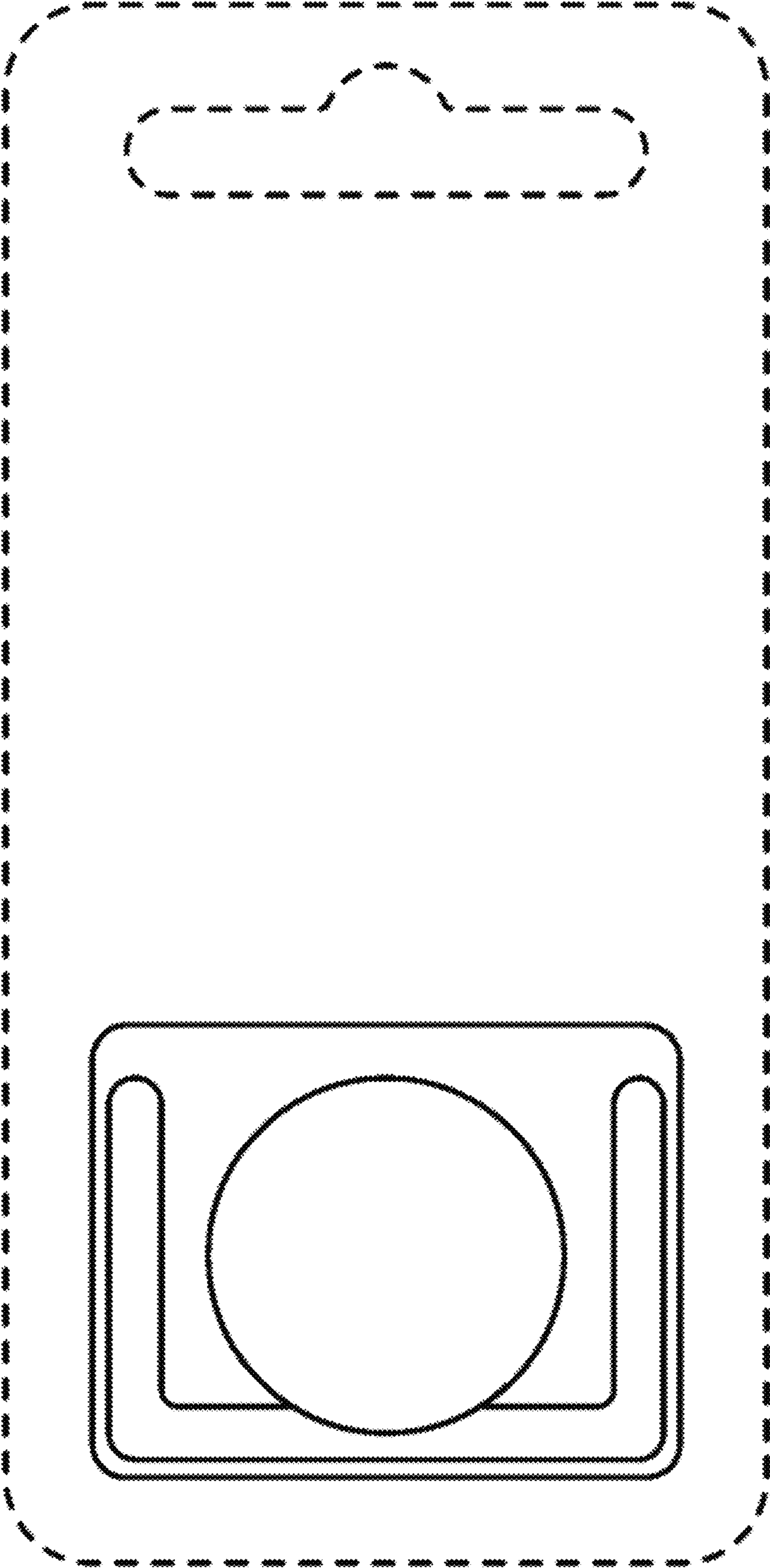
- 1.1: Front
- 1.2: Back
- 1.3: Right
- 1.4: Left
- 1.5: Top
- 1.6: Bottom

In the drawings, the broken lines are for the purpose of illustrating environment only and form no part of the claimed design.

1 Claim, 6 Drawing Sheets



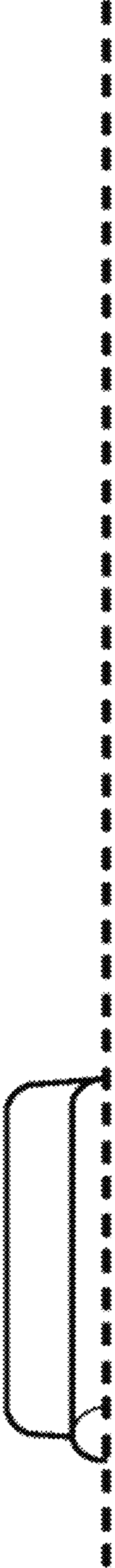
1.1



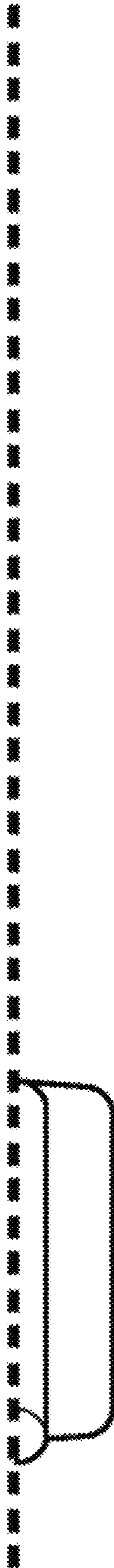
1.2



1.3



1.4





1.6

