



US00D871226S

(12) **United States Design Patent**
Mecker et al.

(10) **Patent No.:** **US D871,226 S**

(45) **Date of Patent:** **** Dec. 31, 2019**

(54) **CONTAINER**

FOREIGN PATENT DOCUMENTS

(71) Applicant: **S. C. JOHNSON & SON, INC.**,
Racine, WI (US)

EM 000007471-0001 4/2003
EM 000076955-0012 9/2003

(Continued)

(72) Inventors: **Alex Mecker**, Chicago, IL (US);
Gregory Pieper, Spring Grove, IL
(US); **Nick Rees**, New York, NY (US)

OTHER PUBLICATIONS

(73) Assignee: **S. C. Johnson & Son, Inc.**, Racine, WI
(US)

“Heart Shaped Glass Craft Bottle.” theworks.co.uk. Reviewed Jul.
22, 2017. Accessed Nov. 25, 2018. Available online at URL:
<<https://www.theworks.co.uk/p/weddings/heart-shaped-glass-craft-bottle/5052089205826>> (Year: 2017).*

(Continued)

(**) Term: **15 Years**

Primary Examiner — Cathron C Brooks

Assistant Examiner — Christian P. McLean

(21) Appl. No.: **29/623,202**

(74) *Attorney, Agent, or Firm* — Quarles & Brady LLP

(22) Filed: **Oct. 23, 2017**

(51) **LOC (12) Cl.** **09-01**

(52) **U.S. Cl.**
USPC **D9/558; D9/563**

(58) **Field of Classification Search**
USPC D7/300–322, 391–396.2, 509–511, 523,
D7/589, 598, 612, 615, 619.1; D9/435,
D9/436, 439, 440, 443, 447, 454, 500,
D9/503–505, 516–575, 763–783;
215/40–55, 316–354, 370–385;
220/574–575; D4/116; D6/515–519,
D6/542–545; D28/7, 57, 73, 76–91.1
CPC B65D 1/00; B65D 1/02; B65D 1/0223;
B65D 1/023; B65D 1/0276
See application file for complete search history.

(57) **CLAIM**

The ornamental design for a container, as shown and
described.

DESCRIPTION

FIG. 1 is an isometric view of a top, front, and right side of
an ornamental design for a container;
FIG. 2 is a front elevational view of the container of FIG. 1;
FIG. 3 is a rear elevational view of the container of FIG. 1;
FIG. 4 is a right side elevational view of the container of
FIG. 1;
FIG. 5 is a left side elevational view of the container of FIG.
1;
FIG. 6 is a top plan view of the container of FIG. 1; and,
FIG. 7 is an isometric view of a top, front, and right side of
another embodiment of a container, showing the same
design as FIGS. 1-6, but without the oblique surface shad-
ing.

The dash-dot-dash broken lines illustrate the boundary of the
design and form no part of the claim. The remaining broken
lines illustrate portions of the container that form no part of
the claimed design.

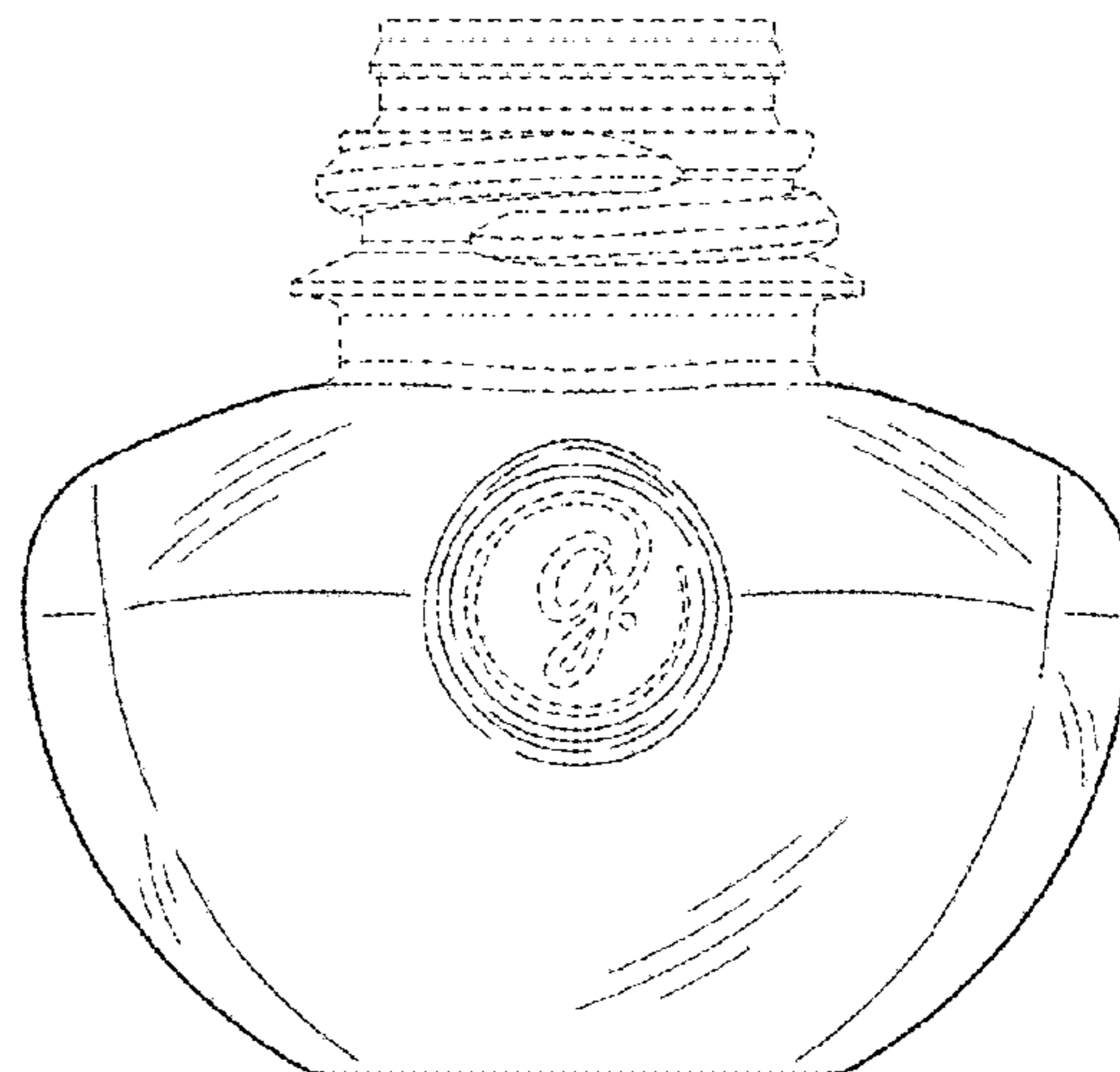
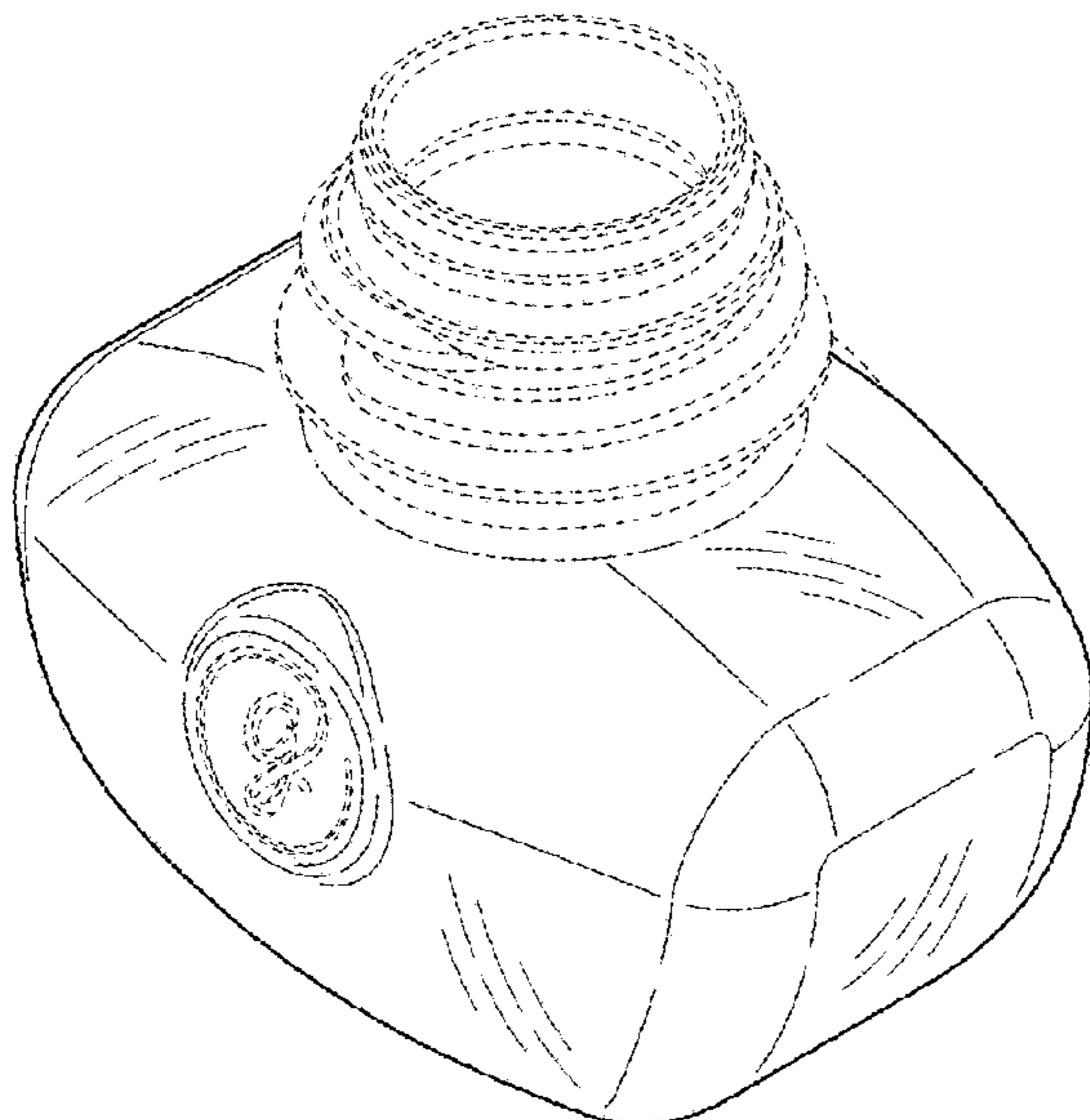
(56) **References Cited**

U.S. PATENT DOCUMENTS

4,621,768 A 11/1986 Lhoste et al.
4,731,520 A 3/1988 Glucksman et al.
D386,974 S * 12/1997 Wefler D9/544
6,104,867 A 8/2000 Stathakis et al.

(Continued)

1 Claim, 5 Drawing Sheets



(56)

References Cited

U.S. PATENT DOCUMENTS

D430,658 S	9/2000	Farce	
D432,222 S	10/2000	Rymer et al.	
D437,744 S	2/2001	Young et al.	
6,236,807 B1	5/2001	Ruffolo et al.	
6,278,840 B1	8/2001	Basaganas Millan	
6,446,583 B2	9/2002	Vieira	
D464,416 S	10/2002	von Dohlen et al.	
6,466,739 B2	10/2002	Ambrosi et al.	
6,487,367 B2	11/2002	Vieira	
D468,626 S *	1/2003	Jødal	D9/516
6,563,091 B2	5/2003	Vieira	
D476,069 S	6/2003	Oloughlin	
6,603,924 B2	8/2003	Brown	
D480,316 S *	10/2003	Wolpert	D9/516
6,661,967 B2	12/2003	Levine et al.	
D491,256 S	6/2004	Fellows et al.	
D492,597 S	7/2004	Norris et al.	
D501,546 S	2/2005	Cruver, IV et al.	
D501,921 S	2/2005	Caserta et al.	
D504,317 S *	4/2005	Mansau	D9/520
6,889,003 B2	5/2005	Triplett et al.	
D507,487 S	7/2005	Marroncles	
D507,636 S	7/2005	Baraky et al.	
6,917,754 B2	7/2005	Pedrotti et al.	
6,931,202 B2	8/2005	Pedrotti et al.	
6,950,607 B2	9/2005	Yip et al.	
D511,967 S	11/2005	Bodet	
D512,136 S	11/2005	Wefler	
D512,938 S	12/2005	Morris et al.	
6,988,496 B1	1/2006	Eicher et al.	
D515,921 S	2/2006	Marroncles	
7,002,114 B2	2/2006	He et al.	
7,014,818 B2	3/2006	Rymer	
7,032,831 B2 *	4/2006	Duston	A61L 9/122 220/694
D523,129 S	6/2006	Caserta et al.	
D530,216 S *	10/2006	Modjeski	D9/566
D532,302 S	11/2006	Moretti	
7,140,553 B2	11/2006	Zobebe	
D536,969 S	2/2007	Geier	
D538,915 S	3/2007	Anderson et al.	
D539,892 S	4/2007	Caserta et al.	
D541,160 S *	4/2007	Cortes	D9/520
D543,326 S	5/2007	Dretzka	
D544,085 S	6/2007	Schriner et al.	
D544,087 S	6/2007	Baraky et al.	
D544,592 S	6/2007	Caserta et al.	
D544,593 S	6/2007	Yamamoto	
D545,626 S	7/2007	Frank	
7,244,398 B2	7/2007	Kotary et al.	
D548,317 S	8/2007	Newton et al.	
D548,318 S	8/2007	Copeman	
D548,587 S	8/2007	DuVal et al.	
D549,596 S	8/2007	Ioannides et al.	
D551,076 S	9/2007	Bloc	
7,311,883 B2	12/2007	Basaganas Milian	
D559,434 S	1/2008	Morris et al.	
D560,018 S	1/2008	Morris et al.	
D561,021 S	2/2008	DuVal et al.	
D564,876 S	3/2008	Nickel et al.	
7,341,698 B2	3/2008	Pedrotti et al.	
D567,920 S	4/2008	Cantoni et al.	
D567,921 S	4/2008	Bellofatto et al.	
D568,978 S	5/2008	Kennedy et al.	
D569,247 S	5/2008	Decottignies	
7,382,975 B2	6/2008	Caserta et al.	
D574,072 S	7/2008	Carlson et al.	
D574,199 S	8/2008	Griffith et al.	
D575,153 S	8/2008	Caroen et al.	
D576,874 S	9/2008	Miller et al.	
D579,340 S *	10/2008	Dickman	D9/558
D580,272 S *	11/2008	Weggelaar	D9/542
D580,274 S	11/2008	Abel	
D580,776 S	11/2008	Claughton et al.	
7,455,245 B2	11/2008	Sipinski et al.	
D582,278 S	12/2008	Bourne	
D582,537 S	12/2008	Kay et al.	
D583,038 S	12/2008	Kay et al.	
D583,457 S	12/2008	Kay et al.	
D584,809 S	1/2009	Porchia et al.	
7,484,675 B2	2/2009	Brown	
D587,576 S	3/2009	Miller et al.	
D596,939 S	7/2009	Moretti	
D597,192 S	7/2009	Drucker et al.	
D599,665 S	9/2009	Campbell	
D603,708 S	11/2009	Handy	
D604,619 S *	11/2009	Tebe Poves	D9/522
D604,629 S *	11/2009	Aebi	D9/454
D605,746 S	12/2009	Butler et al.	
D605,747 S	12/2009	Butler et al.	
7,628,338 B2	12/2009	Belongia et al.	
7,631,814 B2	12/2009	Zarembinski	
D607,315 S	1/2010	George et al.	
D608,198 S	1/2010	Lohrman et al.	
D608,640 S	1/2010	Carreno	
D610,249 S	2/2010	Robinson	
D611,348 S	3/2010	Handy	
D613,844 S	4/2010	Jorgensen	
D614,755 S	4/2010	Brewster	
7,780,094 B2	8/2010	Caserta et al.	
D623,284 S	9/2010	Myojin et al.	
D624,170 S	9/2010	Myojin et al.	
D624,352 S	9/2010	Lion et al.	
7,802,568 B2	9/2010	Eicher et al.	
D624,783 S	10/2010	Lion et al.	
D632,377 S	2/2011	Blachford et al.	
D632,771 S	2/2011	Abbondanzio et al.	
D632,772 S	2/2011	Abbondanzio et al.	
D633,190 S	2/2011	Abbondanzio et al.	
D633,229 S	2/2011	McWillis	
D634,416 S	3/2011	Abbondanzio et al.	
D634,832 S	3/2011	Abbondanzio et al.	
D636,476 S	4/2011	Abbondanzio et al.	
D636,860 S	4/2011	Abbondanzio et al.	
D637,274 S	5/2011	Chan et al.	
D639,923 S	6/2011	Belongia et al.	
D643,102 S	8/2011	Abbondanzio et al.	
D644,313 S	8/2011	Westphal	
D644,926 S	9/2011	Davis et al.	
D645,947 S	9/2011	Sevy	
D646,573 S *	10/2011	Kubicek	D9/522
D646,768 S	10/2011	Chan et al.	
D647,187 S	10/2011	Chan et al.	
D647,608 S	10/2011	Young et al.	
D651,088 S *	12/2011	Buschmann	D9/522
D654,761 S	2/2012	Herbst	
8,141,793 B2	3/2012	Wallis et al.	
D656,830 S *	4/2012	Rodriguez	D9/520
D657,448 S	4/2012	Herfort	
D657,860 S	4/2012	Sordo et al.	
D658,072 S	4/2012	Davis et al.	
D658,315 S	4/2012	Walters	
D658,915 S	5/2012	Fernandes et al.	
D659,267 S	5/2012	Slatkin et al.	
D659,817 S	5/2012	Mandell et al.	
D659,818 S	5/2012	Belongia et al.	
D660,996 S	5/2012	Rein	
D662,237 S	6/2012	Baraky et al.	
D663,018 S	7/2012	Sordo et al.	
8,251,299 B1	8/2012	Irvin	
D666,706 S	9/2012	Sevy	
D667,574 S	9/2012	Abbondanzio et al.	
D672,481 S	12/2012	Arslanian	
D672,861 S	12/2012	Adair et al.	
D675,308 S	1/2013	Freeborn et al.	
D675,309 S	1/2013	Freeborn et al.	
8,348,101 B2	1/2013	Ciavarella et al.	
D679,793 S	4/2013	Feiz et al.	
D680,377 S	4/2013	Romley	
D680,637 S	4/2013	Blachford et al.	
D681,182 S	4/2013	Tomas Vilarasa et al.	
D681,183 S	4/2013	Blachford et al.	
D682,448 S	5/2013	Nugent	
RE44,312 E	6/2013	Vieira	

(56)

References Cited

FOREIGN PATENT DOCUMENTS

U.S. PATENT DOCUMENTS			EM		
			EM	000418538-0002	10/2005
D686,718	S	7/2013 Gordon et al.	EM	000487251-0003	2/2006
D686,721	S	7/2013 Wirz	EM	000551643-0001	6/2006
8,485,454	B1	7/2013 Irvin et al.	EM	000551643-0002	6/2006
D689,364	S	9/2013 Sanders	EM	000551643-0003	6/2006
D689,664	S	9/2013 Dietvorst et al.	EM	000551643-0004	6/2006
D689,998	S	9/2013 Carbone et al.	EM	000551643-0005	6/2006
D691,255	S	10/2013 Abbondanzio et al.	EM	000551643-0006	6/2006
D692,116	S	10/2013 Gordon	EM	000688023-0009	3/2007
D699,075	S	2/2014 Mariotti	EM	000755061-0001	7/2007
D700,694	S	3/2014 Sordo et al.	EM	000873757-0001	2/2008
D701,120	S	3/2014 Sanders	EM	000983069-0003	8/2008
8,703,067	B2	4/2014 Woolley	EM	000983069-0004	8/2008
D707,373	S	6/2014 Nugent	EM	001171656-0003	10/2009
D707,805	S	6/2014 Brewer et al.	EM	001239875-0006	10/2010
8,746,587	B2	6/2014 Soldan et al.	EM	001239875-0007	10/2010
D709,761	S	7/2014 Sanders	EM	001239990-0001	10/2010
D710,743	S	8/2014 Bartter	EM	001239990-0002	10/2010
D712,739	S	9/2014 Lapsker	EM	001239990-0003	10/2010
D713,517	S	9/2014 Dodge et al.	EM	001239990-0004	10/2010
D716,148	S *	10/2014 DeMarco D9/542	EM	001239990-0005	10/2010
D716,432	S	10/2014 Viala et al.	EM	001239990-0007	10/2010
8,870,030	B2	10/2014 Demarest et al.	EM	001239990-0008	10/2010
D717,123	S	11/2014 Epstein	EM	001239990-0009	10/2010
D721,275	S	1/2015 Thijssen et al.	EM	001239990-0012	10/2010
D721,278	S	1/2015 Eble	EM	001239990-0013	10/2010
D723,376	S *	3/2015 Adair D9/539	EM	001239990-0013	10/2010
D724,192	S	3/2015 Mecker	EM	001251490-0001	12/2010
D724,945	S	3/2015 Davis et al.	EM	001251490-0002	12/2010
8,985,398	B2	3/2015 Demarest et al.	EM	001251490-0003	12/2010
8,985,405	B2	3/2015 Wanbaugh	EM	001251490-0004	12/2010
D729,924	S	5/2015 Hsiao	EM	001797150-0001	12/2010
D732,654	S	6/2015 Hsiao	EM	001797150-0002	12/2010
D733,382	S	6/2015 Bos et al.	EM	001271894-0001	4/2011
9,061,821	B2	6/2015 Helf et al.	EM	001917774-0001	9/2011
D736,095	S	8/2015 Brochado et al.	EM	001948365-0001	11/2011
D740,163	S	10/2015 Pettigrew et al.	EM	001977398-0002	1/2012
D741,987	S	10/2015 Gamble et al.	EM	001977398-0003	1/2012
D742,561	S	11/2015 Kasha	EM	001977398-0005	1/2012
9,199,783	B2	12/2015 Wanbaugh et al.	EM	001977398-0006	1/2012
D747,212	S *	1/2016 Staab D9/559	EM	001977398-0006	1/2012
D750,491	S	3/2016 Campbell et al.	EM	002021089-0001	4/2012
D750,492	S	3/2016 Campbell et al.	EM	001342927-0001	8/2012
D752,378	S	3/2016 Wang	EM	001342927-0002	8/2012
D757,560	S *	5/2016 Venturini Fendi D9/435	EM	001342927-0003	8/2012
9,370,594	B2	6/2016 Gasper et al.	EM	001342927-0004	8/2012
D764,043	S	8/2016 Sanders et al.	EM	001343164-0004	9/2012
D764,650	S	8/2016 Sanders et al.	EM	002162040-0001	1/2013
D765,440	S	9/2016 Clough et al.	EM	001361356-0001	2/2013
D766,084	S	9/2016 Jiang	EM	001361356-0002	2/2013
D767,810	S	9/2016 Li	EM	001361356-0003	2/2013
D768,834	S	10/2016 Schuller et al.	EM	001361356-0004	2/2013
D770,852	S	11/2016 Vu et al.	EM	001381149-0001	8/2013
D776,247	S	1/2017 King et al.	EM	002330696-0001	10/2013
D776,800	S	1/2017 King et al.	EM	002330696-0002	10/2013
D781,488	S	3/2017 Patton	EM	002354530-0001	11/2013
D782,309	S	3/2017 Jiang	EM	002354670-0001	11/2013
D786,689	S *	5/2017 Dalton D9/573	EM	001421366-0002	9/2014
D787,947	S *	5/2017 Li D9/686	EM	002604728-0001	12/2014
D787,948	S	5/2017 Scott et al.	EM	002604728-0002	12/2014
D790,352	S *	6/2017 Staab D9/574	EM	002840553-0016	10/2015
9,669,126	B2	6/2017 Jaworski et al.	EM	002971986-0001	2/2016
D797,916	S	9/2017 Gobber et al.	EM	003422724-0001	10/2016
2004/0067172	A1	4/2004 Ehrlich et al.	EM	003850601-0022	4/2017
2006/0202050	A1	9/2006 Caserta et al.	EP	0736248 A1	10/1996
2015/0135503	A1	5/2015 Belongia	EP	1270022 A1	1/2003
2016/0151528	A1	6/2016 Duffield	WO	DM/057247	7/2001
2016/0205727	A1	7/2016 Meinhart et al.	WO	2005084721 A1	9/2005
2016/0256586	A1	9/2016 Eastcott et al.	WO	DM/075912	4/2011
2017/0065992	A1	3/2017 Clough et al.	WO	DM/079027	7/2012
2017/0143042	A1	5/2017 Batista et al.	WO	DM/079361	9/2012
2017/0150755	A1	6/2017 Batista	WO	DM/082262	11/2013
2017/0159171	A1	6/2017 Tung et al.	WO	DM/086082	2/2015
2019/0091364	A1 *	3/2019 Pieper A61L 9/127	WO	DM/091142	12/2015
2019/0091365	A1 *	3/2019 Pieper A61L 9/127	WO		

(56)

References Cited

FOREIGN PATENT DOCUMENTS

WO	DM/089961	2/2016
WO	DM/094518	11/2016

OTHER PUBLICATIONS

“Heart Shaped Jar 220ml.” petpower.eu. Available Mar. 31, 2017. Accessed Nov. 25, 2018. Available online via Internet Archive Wayback Machine at URL: <<https://web.archive.org/web/20170331172616/https://www.petpower.eu/product/heart-shaped-jar-220ml/>> (Year: 2017).*

* cited by examiner

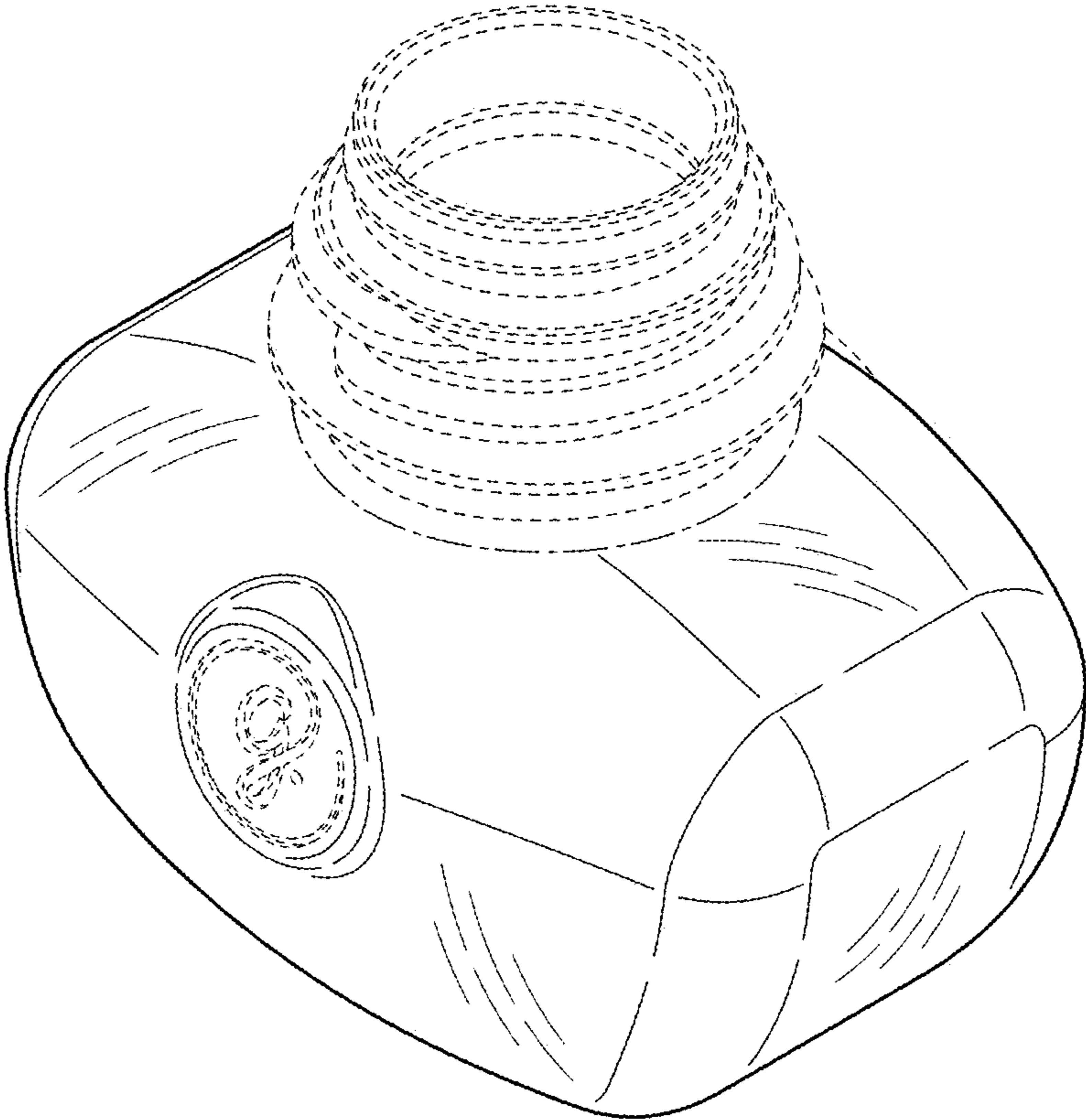


FIG. 1

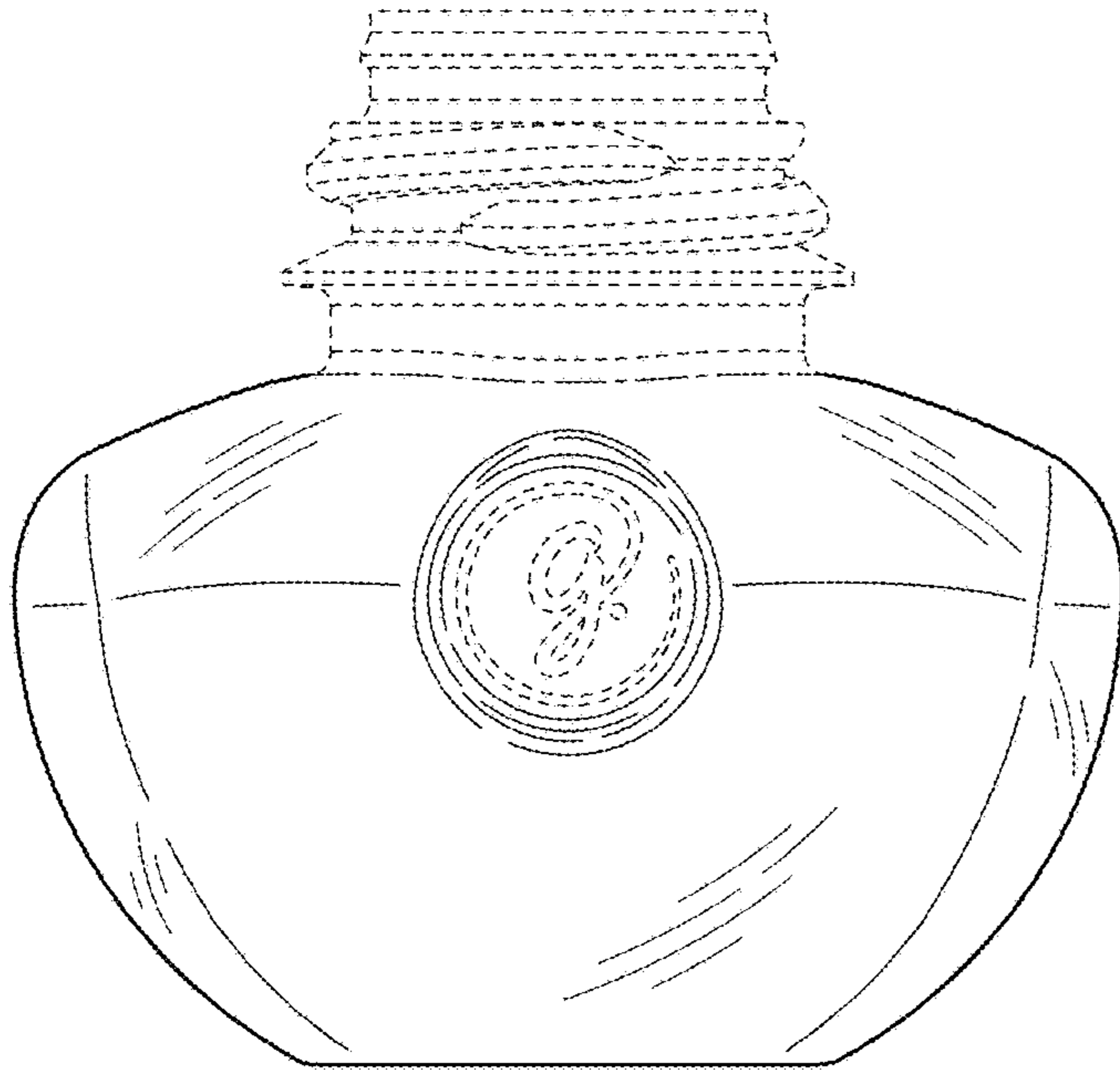


FIG. 2

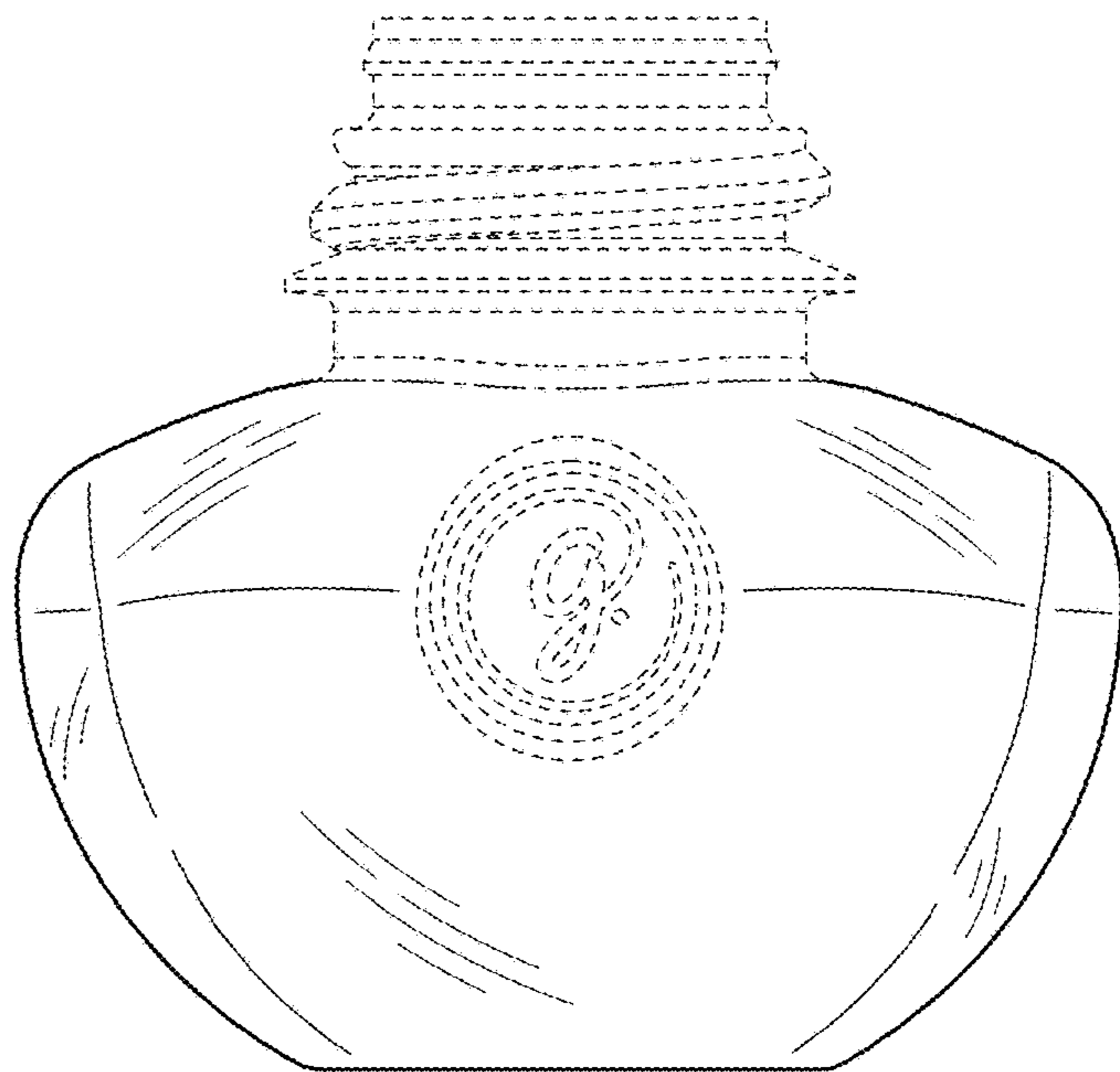


FIG. 3

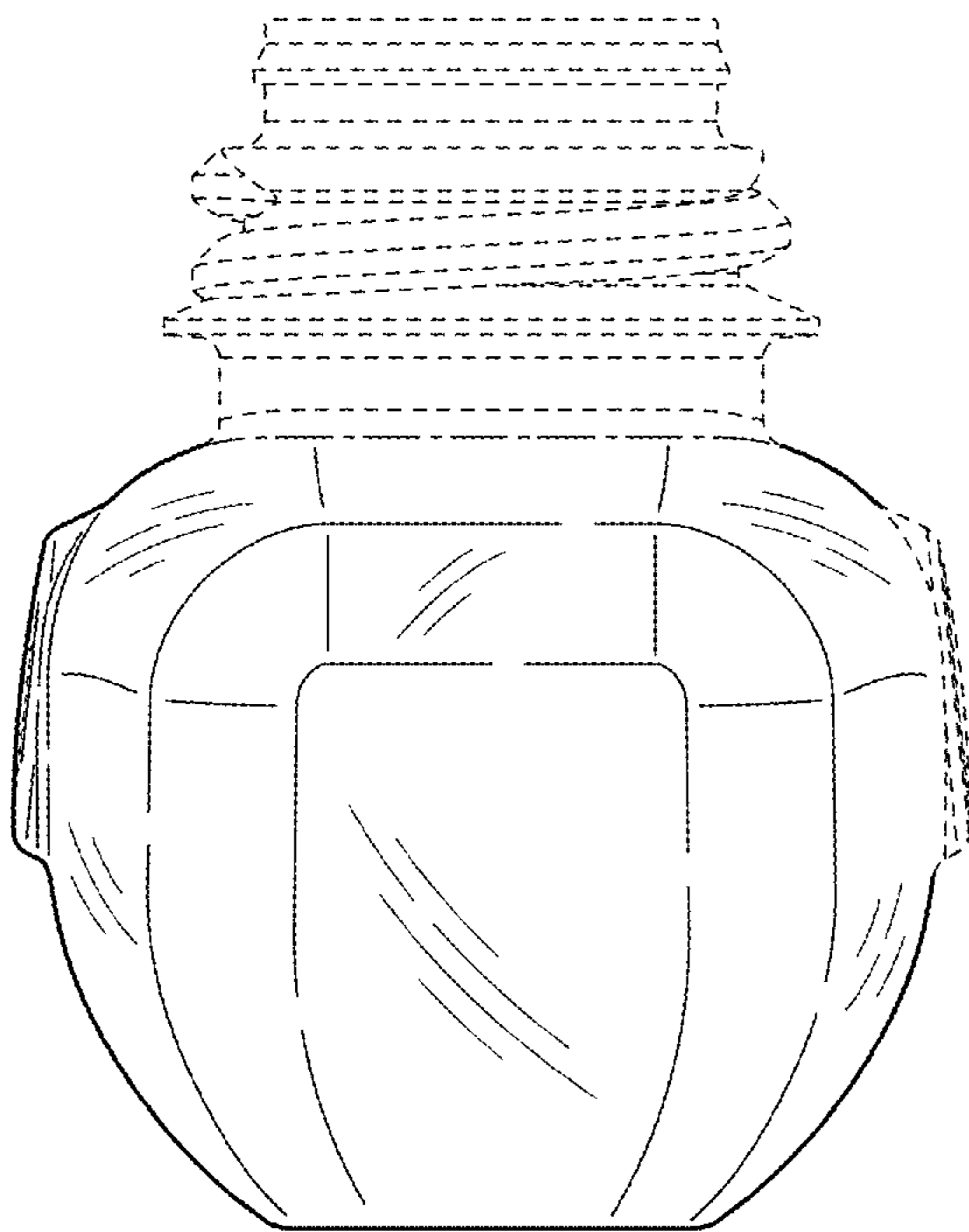


FIG. 4

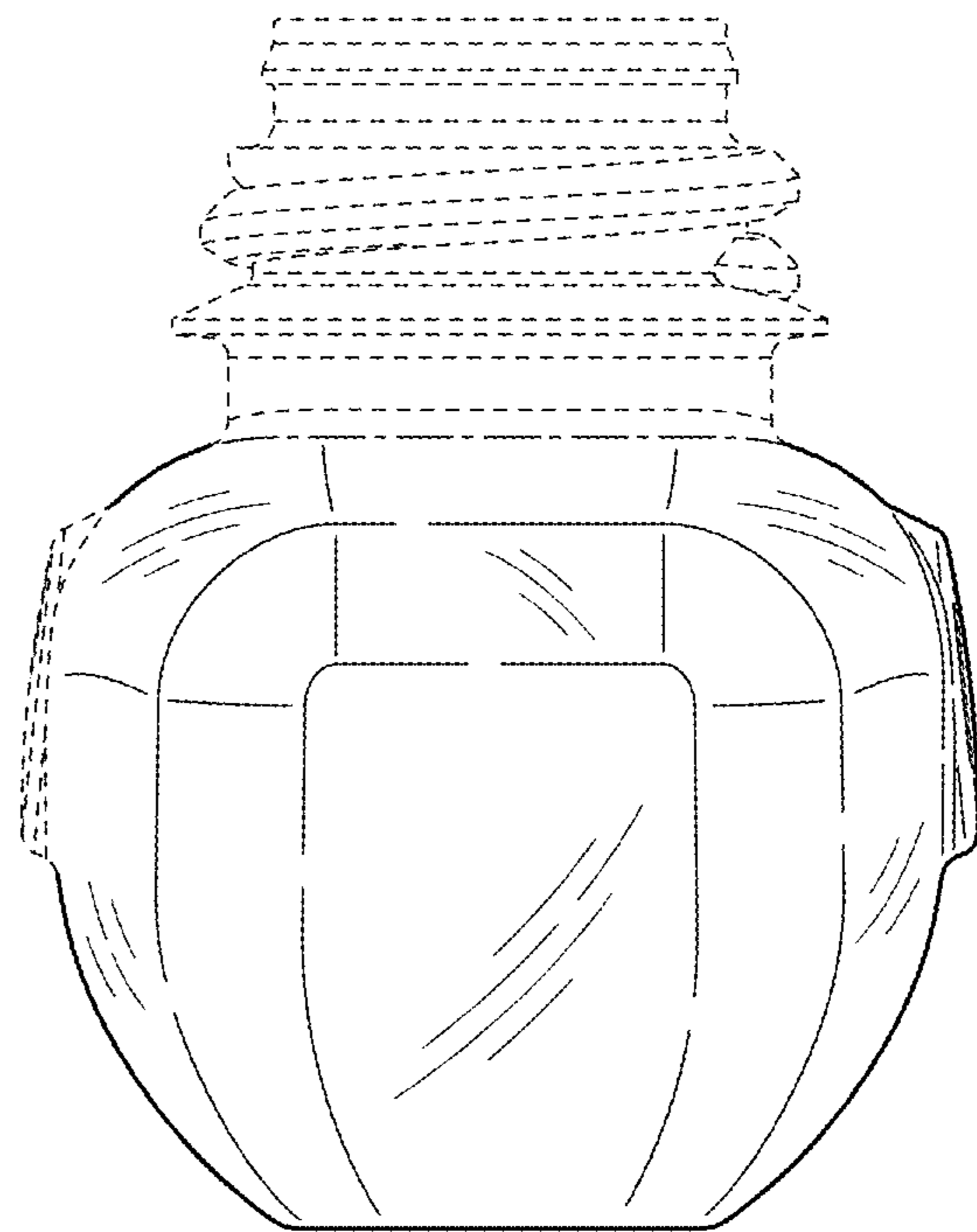


FIG. 5

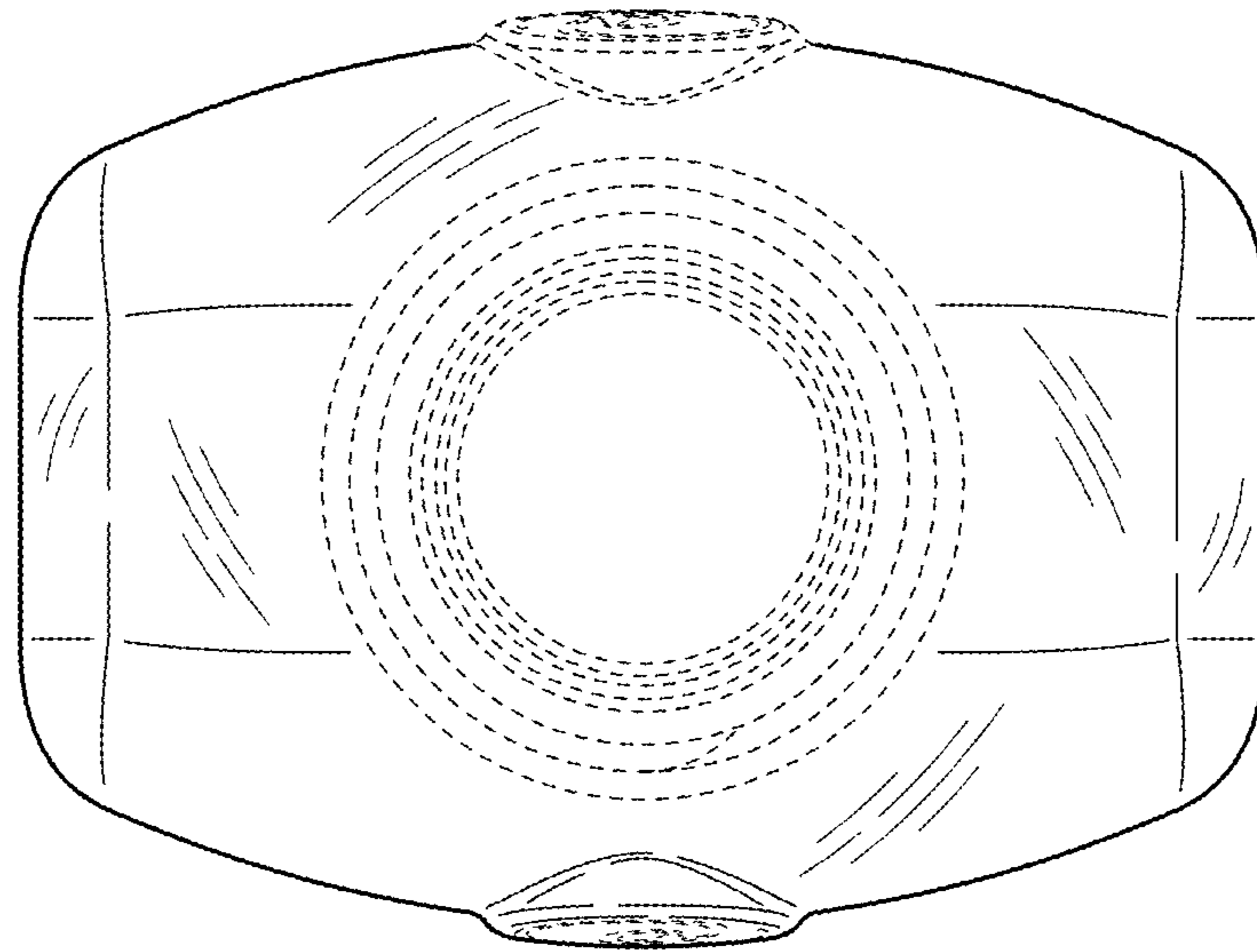


FIG. 6

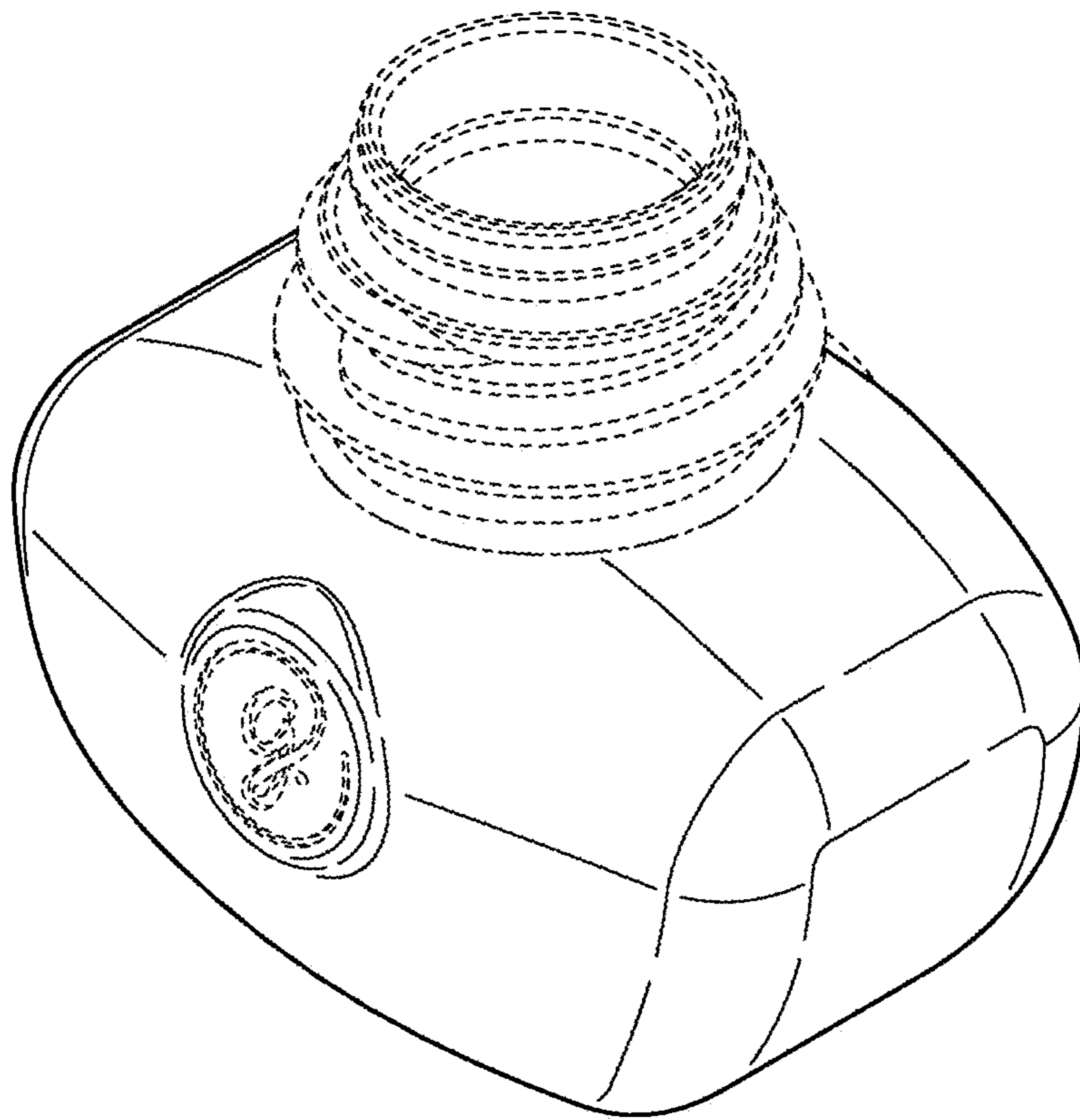


FIG. 7