



US00D871225S

(12) **United States Design Patent** (10) **Patent No.:** **US D871,225 S**
Lopez et al. (45) **Date of Patent:** **** Dec. 31, 2019**

(54) **BOTTLE**
(71) Applicant: **Hydrapak, Inc.**, Oakland, CA (US)
(72) Inventors: **Samuel M. Lopez**, San Francisco, CA (US); **Matthew J. Lyon**, Moraga, CA (US)
(73) Assignee: **Hydrapak LLC**, Oakland, CA (US)
(**) Term: **15 Years**
(21) Appl. No.: **29/640,628**
(22) Filed: **Mar. 15, 2018**
(51) **LOC (12) Cl.** **09-01**
(52) **U.S. Cl.**
USPC **D9/543; D9/575**
(58) **Field of Classification Search**
USPC D9/516, 522, 543-546, 549, 550, 552, D9/575, 715, 719; D28/91.1; D3/202; D7/300, 598, 509-512, 536, 602, 607
CPC B65D 2501/0081; B65D 1/02; B65D 1/0223; B65D 1/40
See application file for complete search history.

D606,871 S * 12/2009 Rica D9/545
D632,178 S * 2/2011 Liu D9/453
D642,927 S * 8/2011 Foster D9/558
D658,415 S * 5/2012 Li D6/542
D694,637 S * 12/2013 Gaydon D9/545
D697,812 S * 1/2014 Lin D9/545
D747,653 S * 1/2016 Collier D9/542
D762,481 S * 8/2016 Zaima D9/558
D801,077 S * 10/2017 Stelmarski D6/542
D817,659 S * 5/2018 Stelmarski D6/542

* cited by examiner

Primary Examiner — Shannon W Morgan

Assistant Examiner — Keith Frank

(74) *Attorney, Agent, or Firm* — Levine Bagade Han LLP

(57) **CLAIM**

The ornamental design for a bottle, as shown and described.

DESCRIPTION

FIG. 1 is a top perspective view of a bottle showing our new design;

FIG. 2 is a front elevation view thereof;

FIG. 3 is a rear elevation view thereof;

FIG. 4 is a left side elevation view thereof;

FIG. 5 is a right side elevation view thereof;

FIG. 6 is a top plan view thereof; and,

FIG. 7 is a bottom plan view thereof.

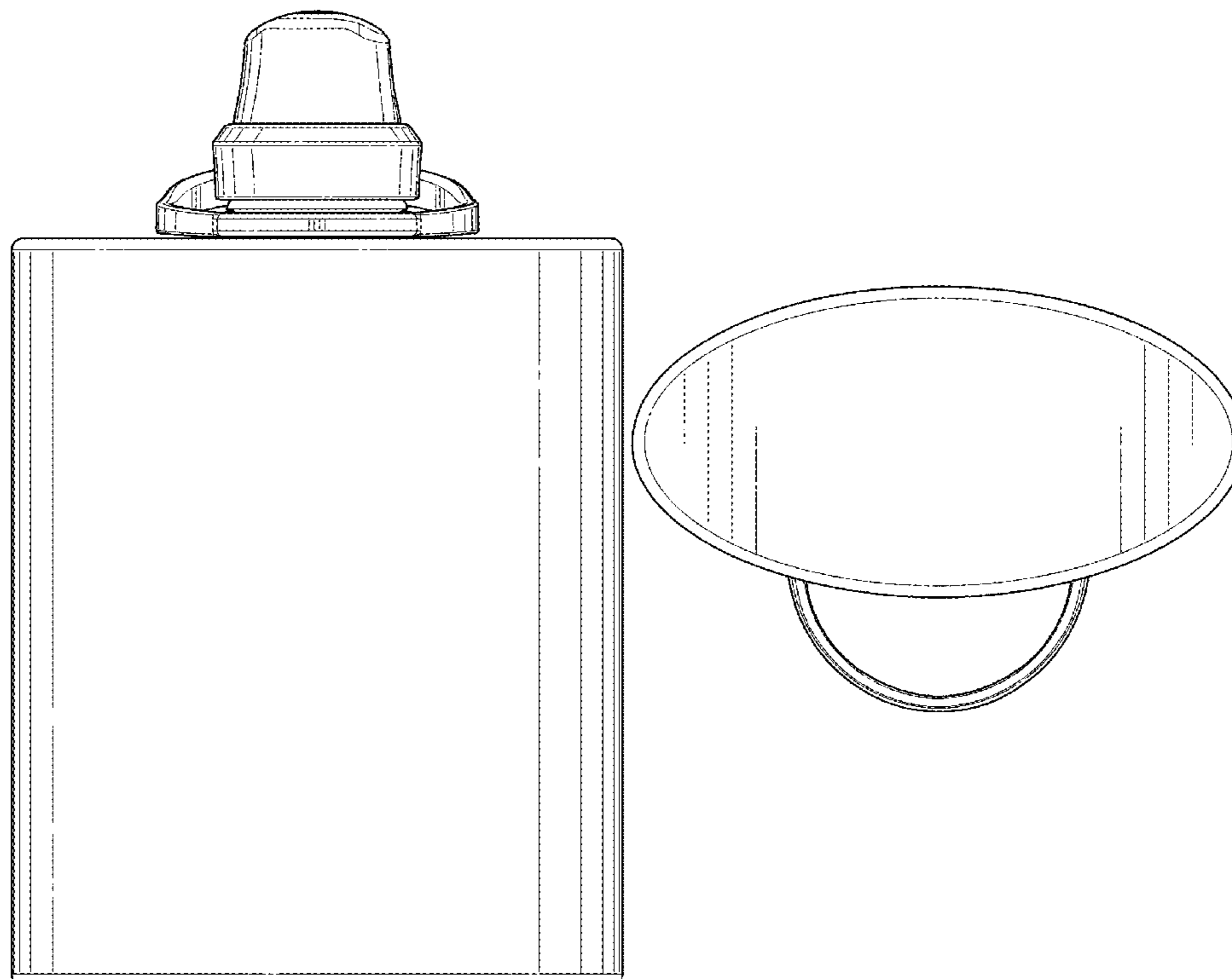
The elements shown in broken lines are to show environment and form no part of the claimed design.

1 Claim, 7 Drawing Sheets

(56) **References Cited**

U.S. PATENT DOCUMENTS

D82,824 S * 12/1930 Hobe D9/544
D426,093 S * 6/2000 Cayouette D6/542
D439,522 S * 3/2001 Blaakman D9/542
D473,140 S * 4/2003 Gilliam D9/416
D548,606 S * 8/2007 Rica D9/544
D589,813 S * 4/2009 Rica D9/544



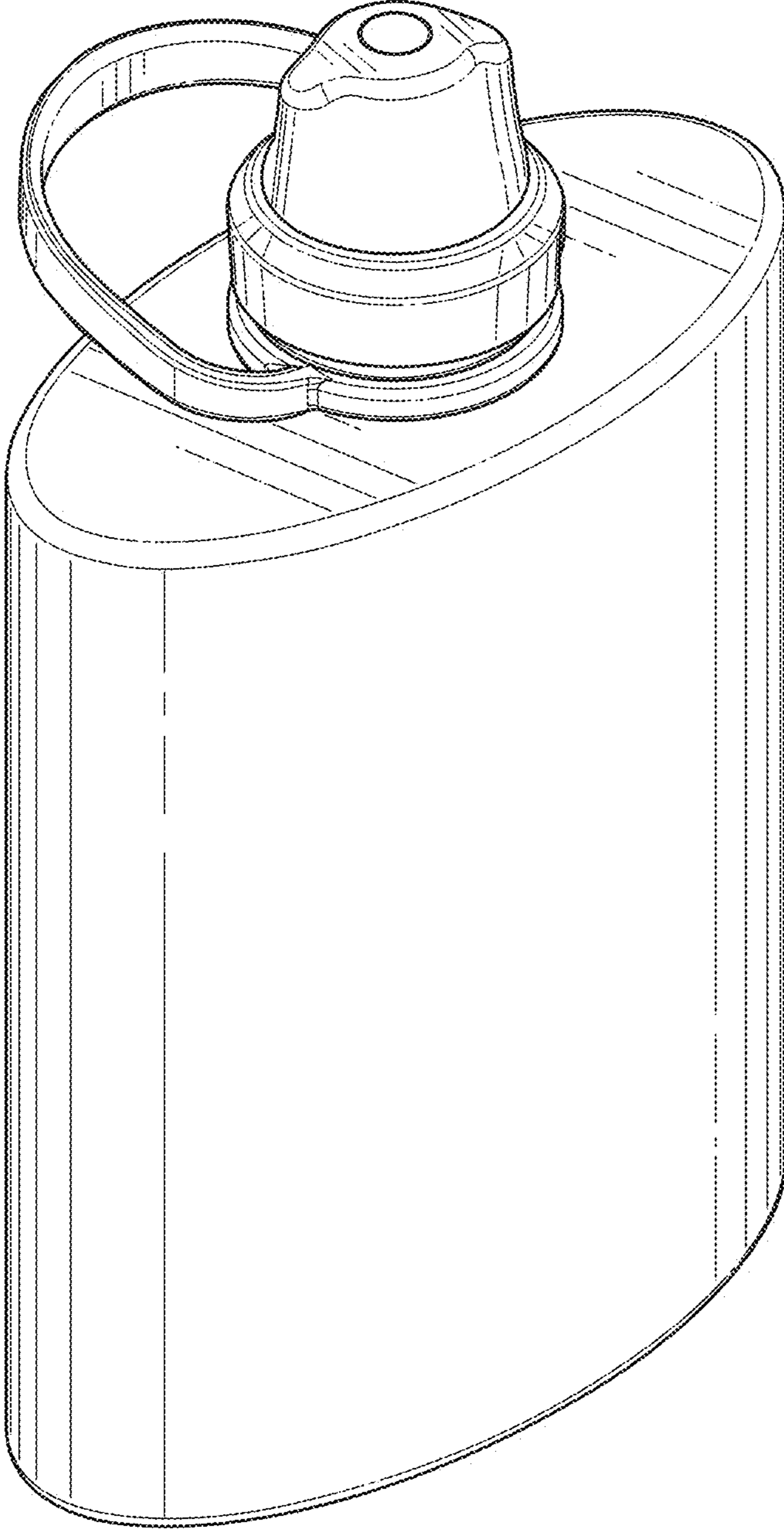


FIG. 1

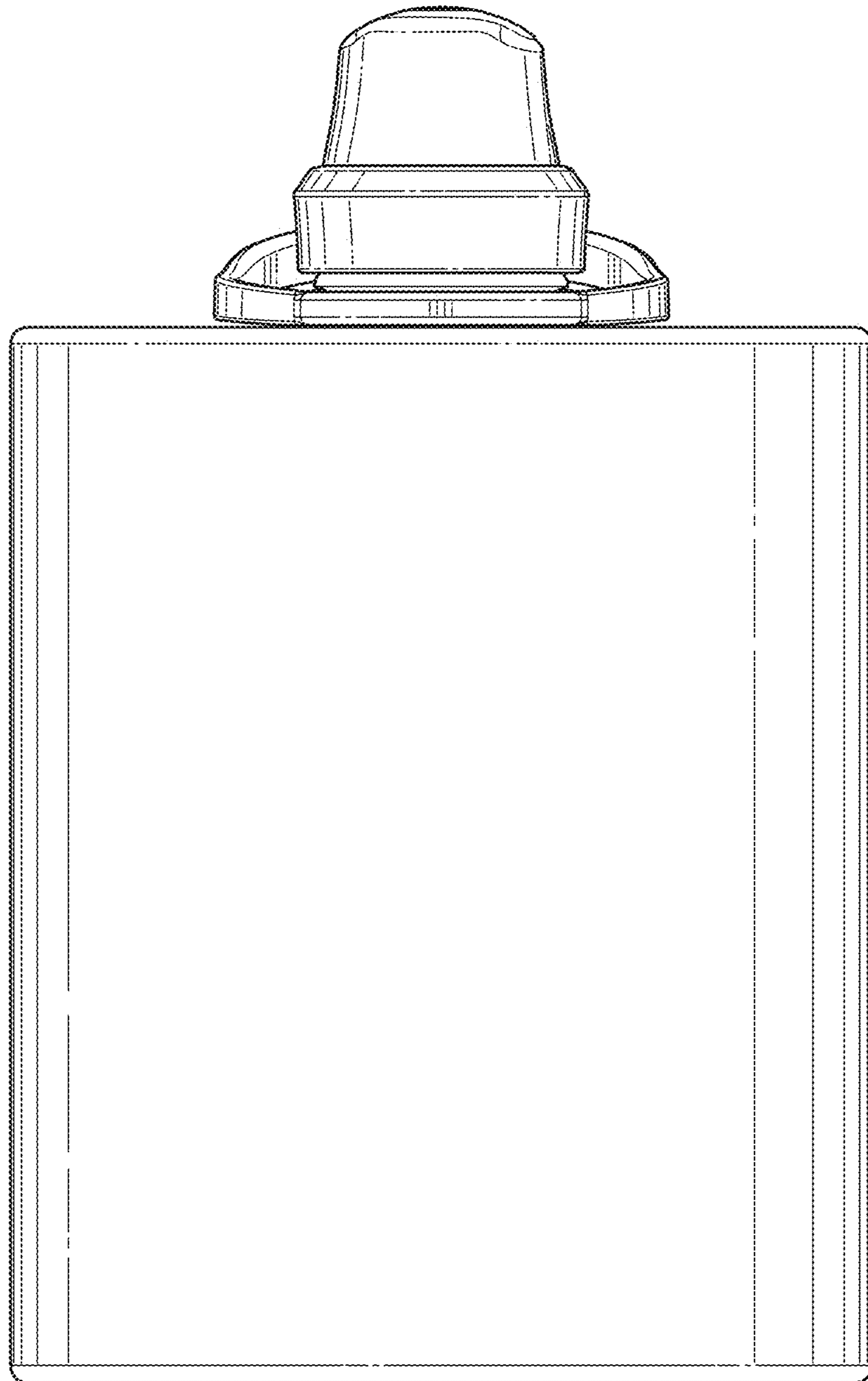


FIG. 2

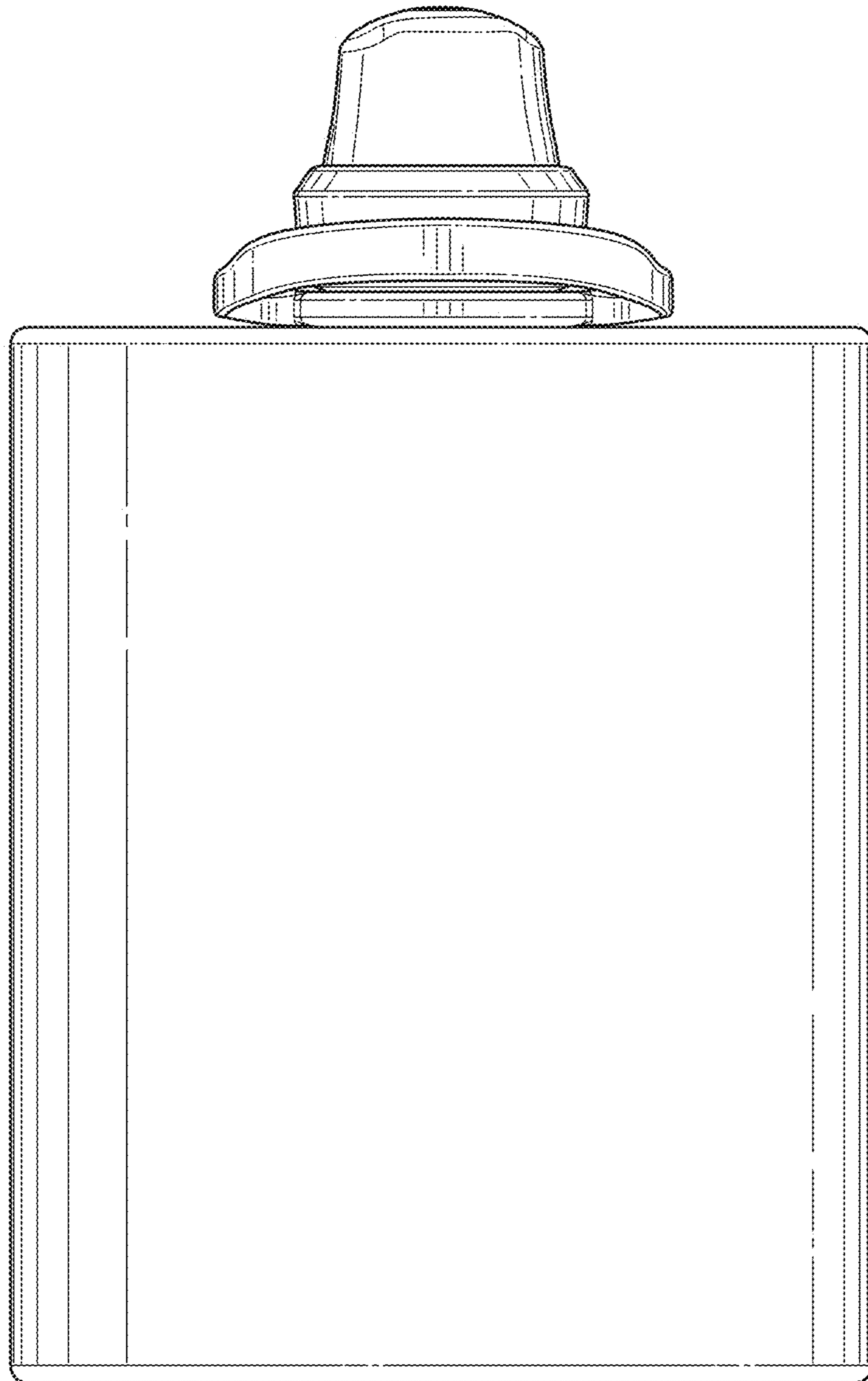


FIG. 3

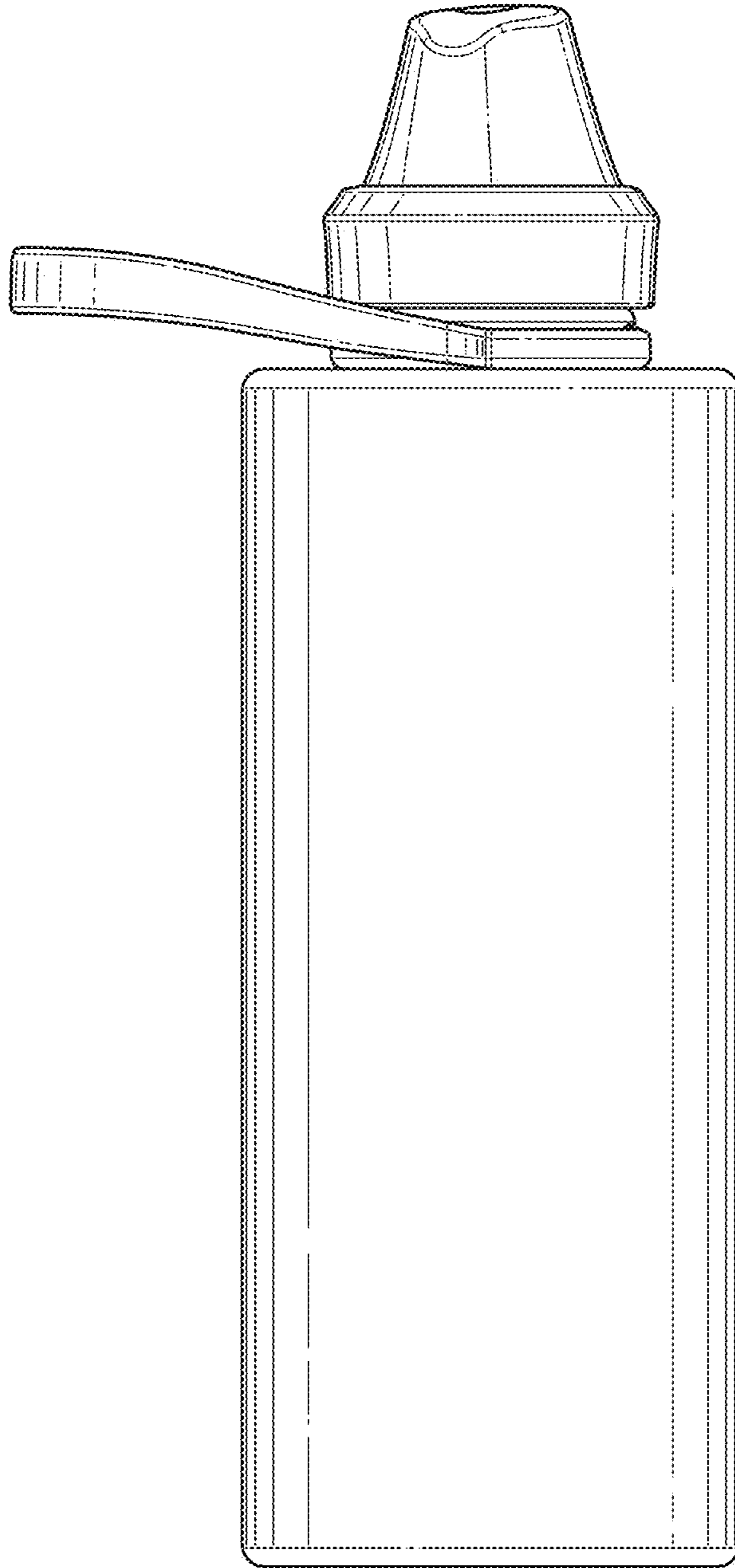


FIG. 4

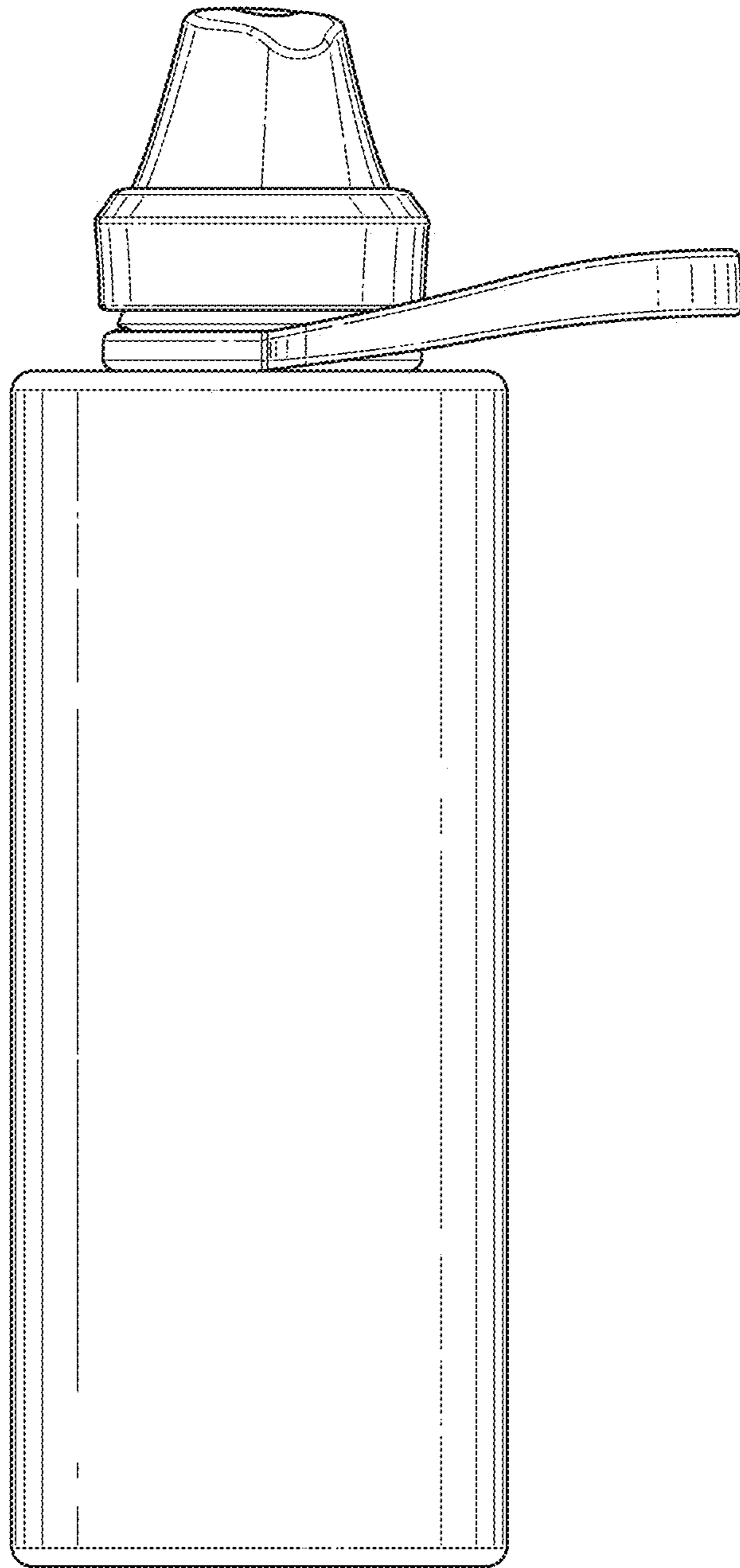


FIG. 5

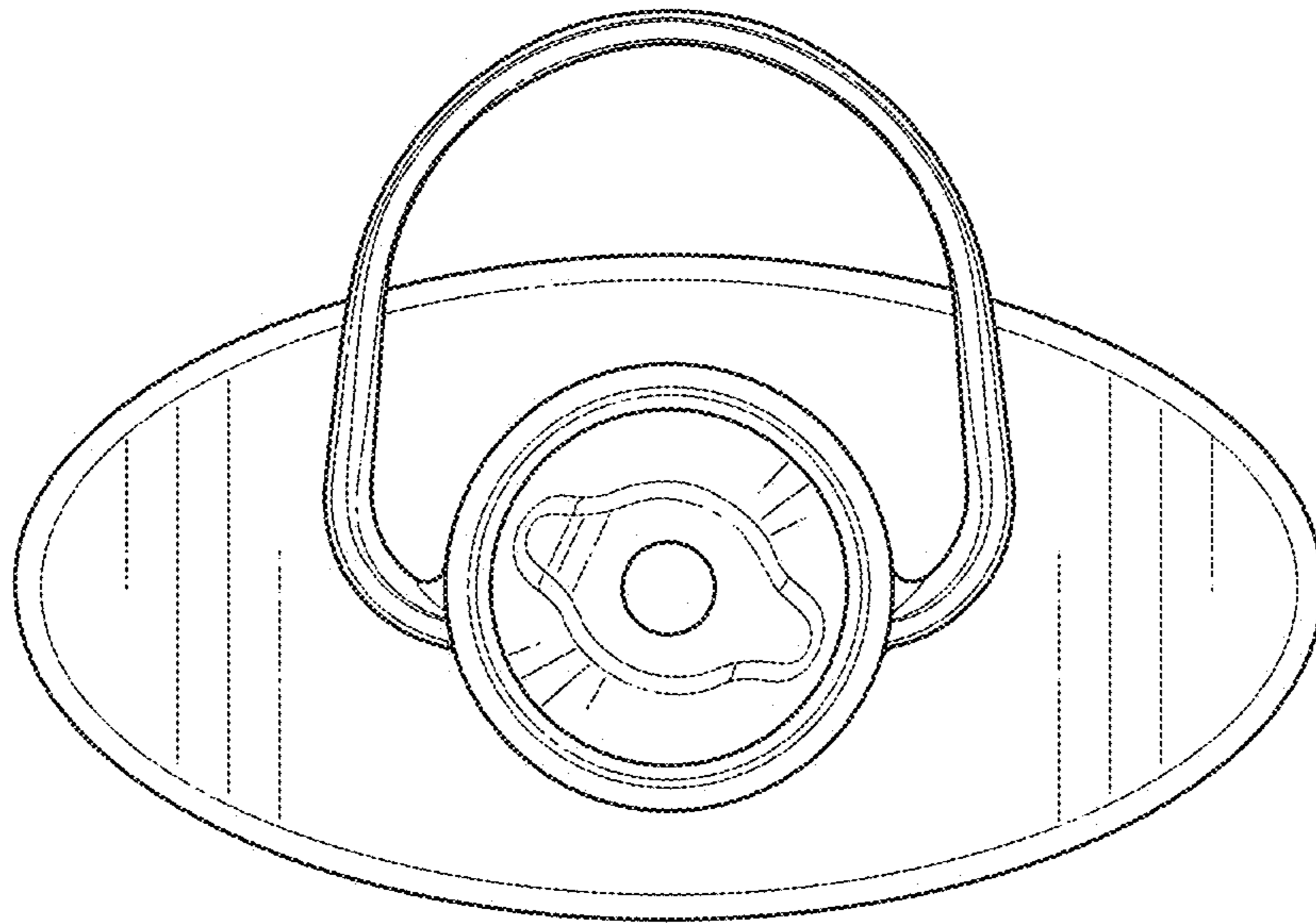


FIG. 6

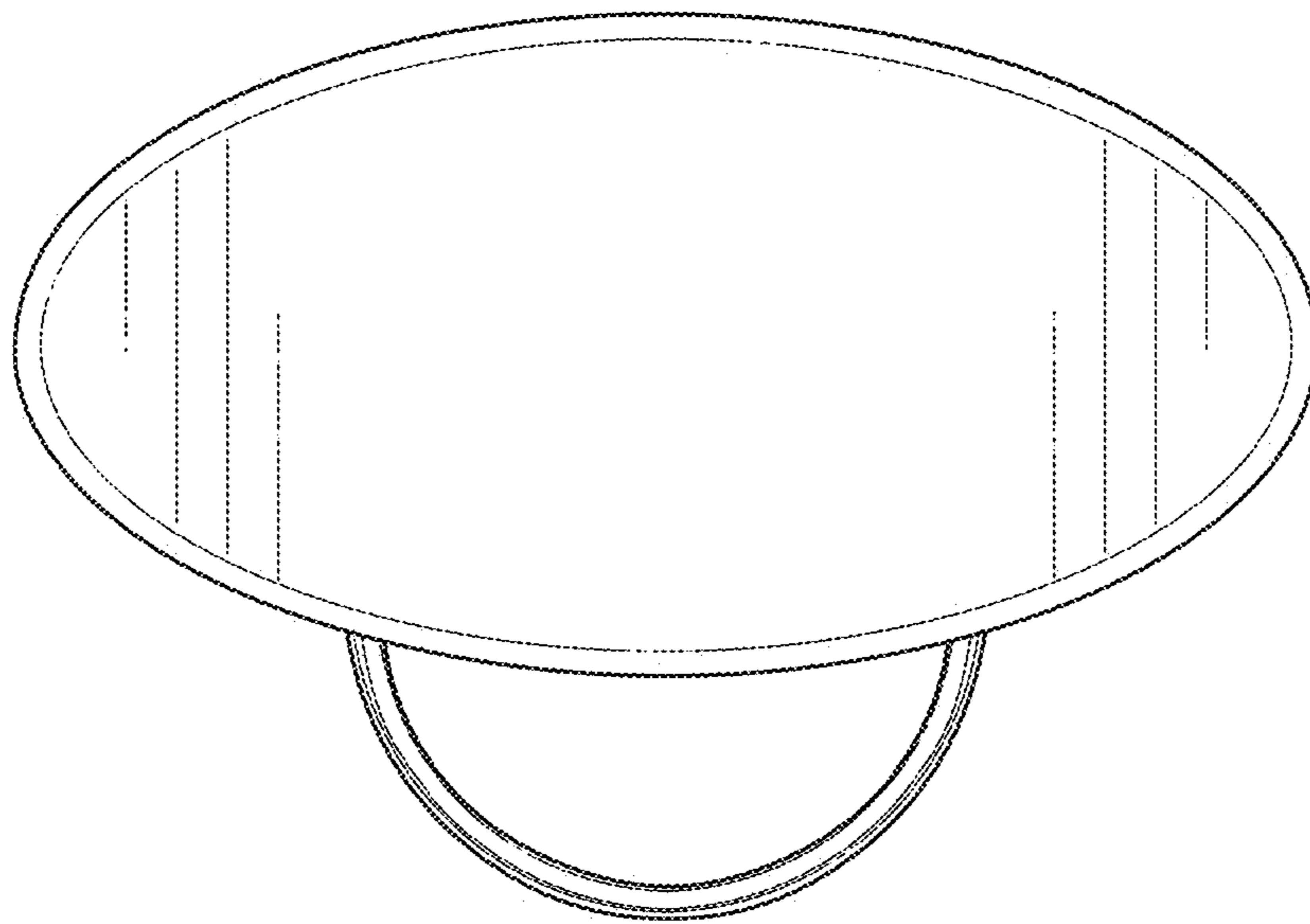


FIG. 7