



US00D871219S

(12) **United States Design Patent**
Mastny

(10) **Patent No.:** **US D871,219 S**

(45) **Date of Patent:** **** Dec. 31, 2019**

(54) **BOTTLE**

(71) Applicant: **Société des Produits Nestlé S.A.**,
Vevey (CH)

(72) Inventor: **Jonathan Mastny**, Marysville, OH
(US)

(73) Assignee: **Société des Produits Nestlé S.A.**,
Vevey (CH)

(**) Term: **15 Years**

(21) Appl. No.: **29/681,050**

(22) Filed: **Feb. 22, 2019**

(51) **LOC (12) Cl.** **09-01**

(52) **U.S. Cl.**
USPC **D9/502**

(58) **Field of Classification Search**
USPC D9/434, 500, 502–503, 516, 530,
D9/537–541, 549, 557–558, 715, 719
CPC B65D 1/00; B65D 1/02; B65D 1/0223;
B65D 1/44; B65D 23/00; B65D 23/102;
B65D 2501/00; B65D 2501/0009; B65D
2501/0018; B65D 2501/0036
See application file for complete search history.

(56) **References Cited**

U.S. PATENT DOCUMENTS

D476,894 S * 7/2003 Masotta D9/503
D489,225 S * 5/2004 Leinenweber D7/510

D608,203 S * 1/2010 Yourist D9/502
D611,349 S * 3/2010 Shah D9/516
D613,166 S * 4/2010 Bentley D9/502
D642,470 S * 8/2011 Yourist D9/500
D689,375 S * 9/2013 Garner D9/502
D746,685 S * 1/2016 Foley D9/453
D746,686 S * 1/2016 Yourist D9/502
D746,687 S * 1/2016 Yourist D9/502
D746,688 S * 1/2016 Yourist D9/502

* cited by examiner

Primary Examiner — Dana Meyrow

(74) *Attorney, Agent, or Firm* — Finnegan, Henderson,
Farabow, Garrett & Dunner LLP

(57) **CLAIM**

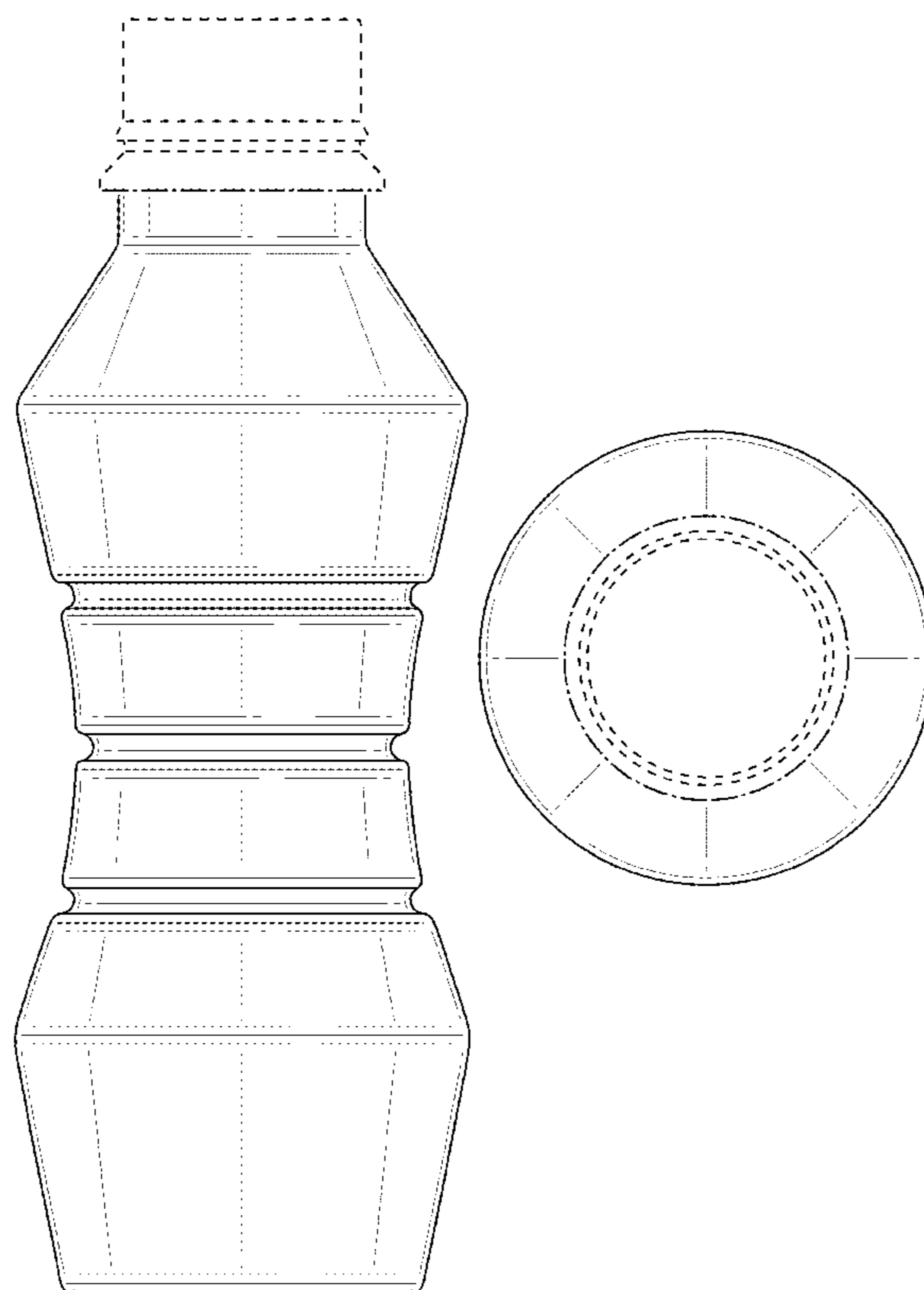
The ornamental design for a bottle, as shown and described.

DESCRIPTION

FIG. 1 is a top, front perspective view of a bottle showing my new design;
FIG. 2 is a front elevation view thereof;
FIG. 3 is a rear elevation view thereof;
FIG. 4 is a left side view thereof;
FIG. 5 is a right side view thereof;
FIG. 6 is a top plan view thereof; and,
FIG. 7 is a bottom plan view thereof.

The broken lines of uneven length illustrate the boundary of the claimed design. The broken lines of even length illustrate the portions of the design that form no part of the claimed design.

1 Claim, 7 Drawing Sheets



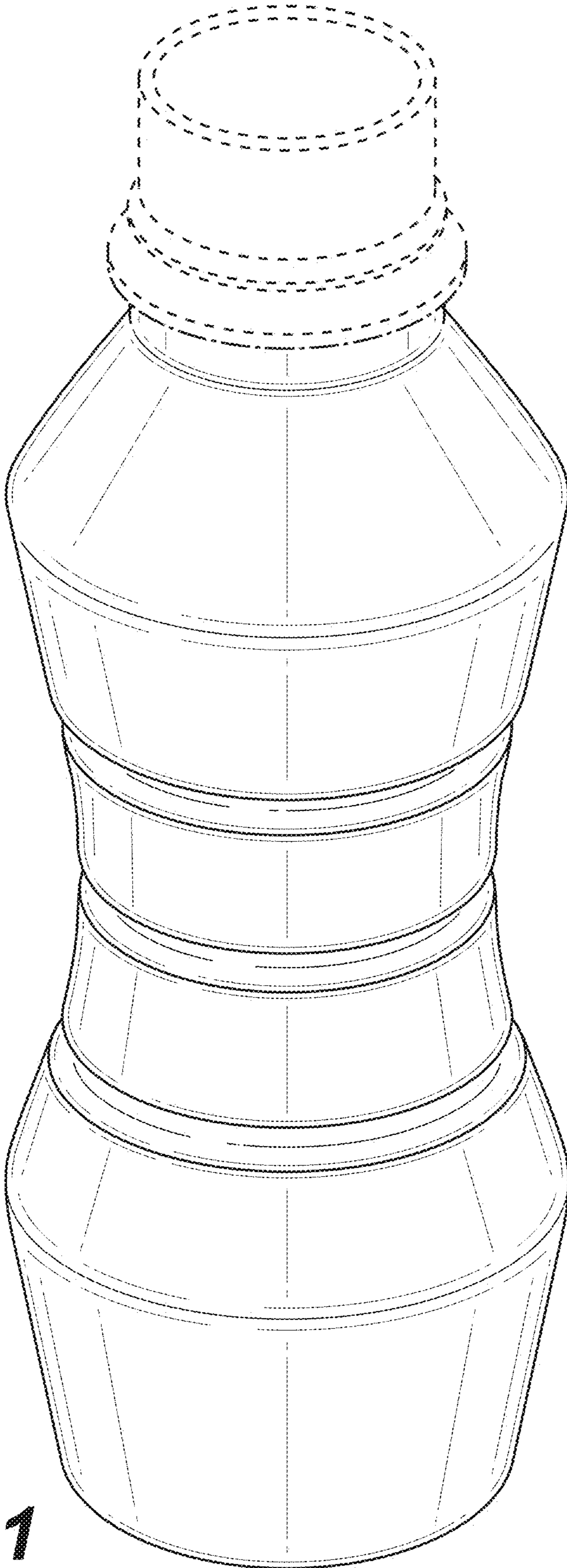


FIG. 1

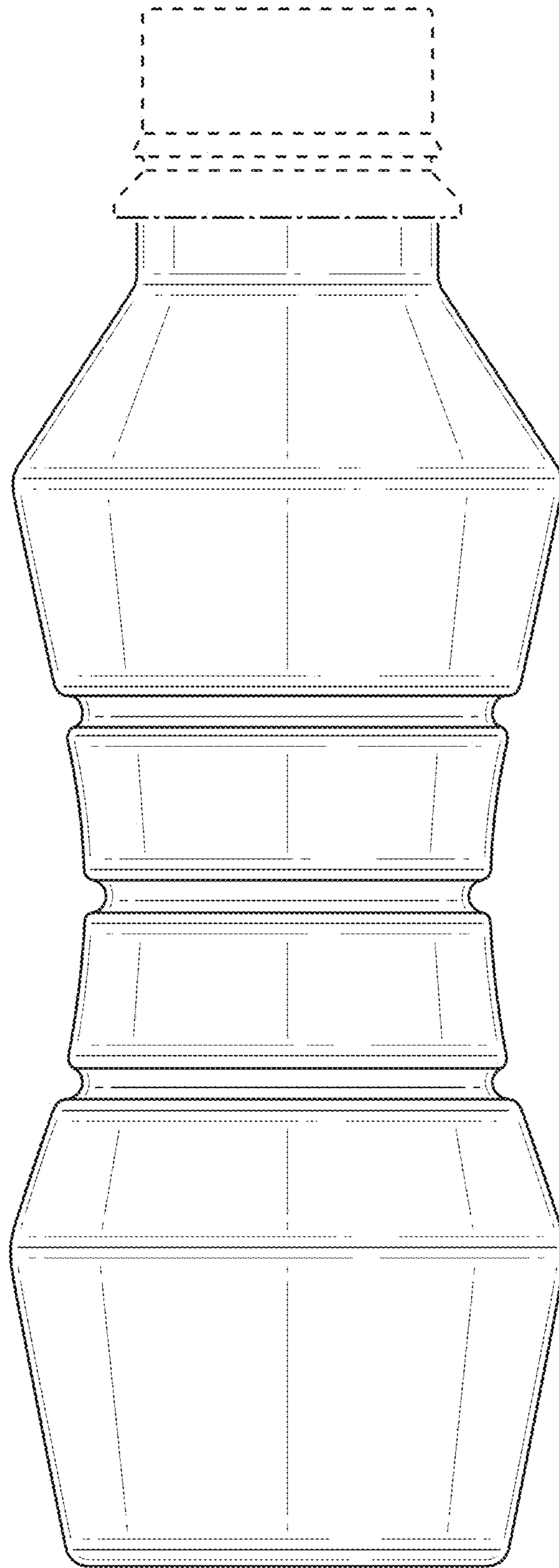


FIG. 2

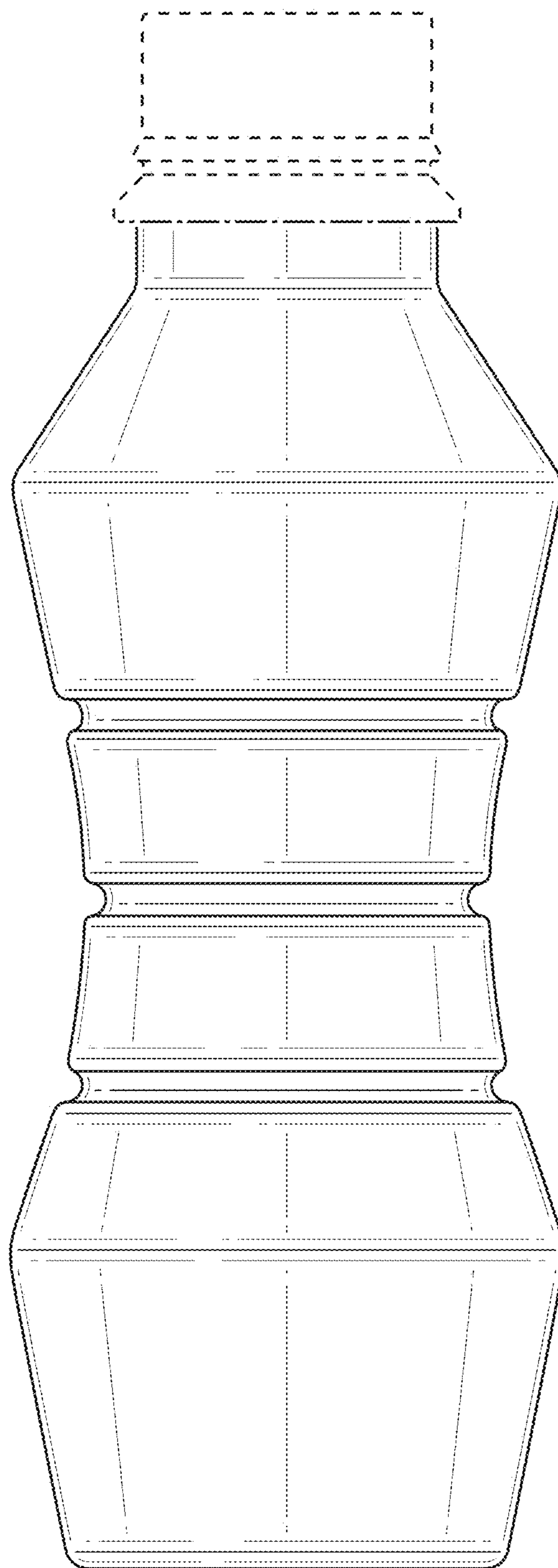


FIG. 3

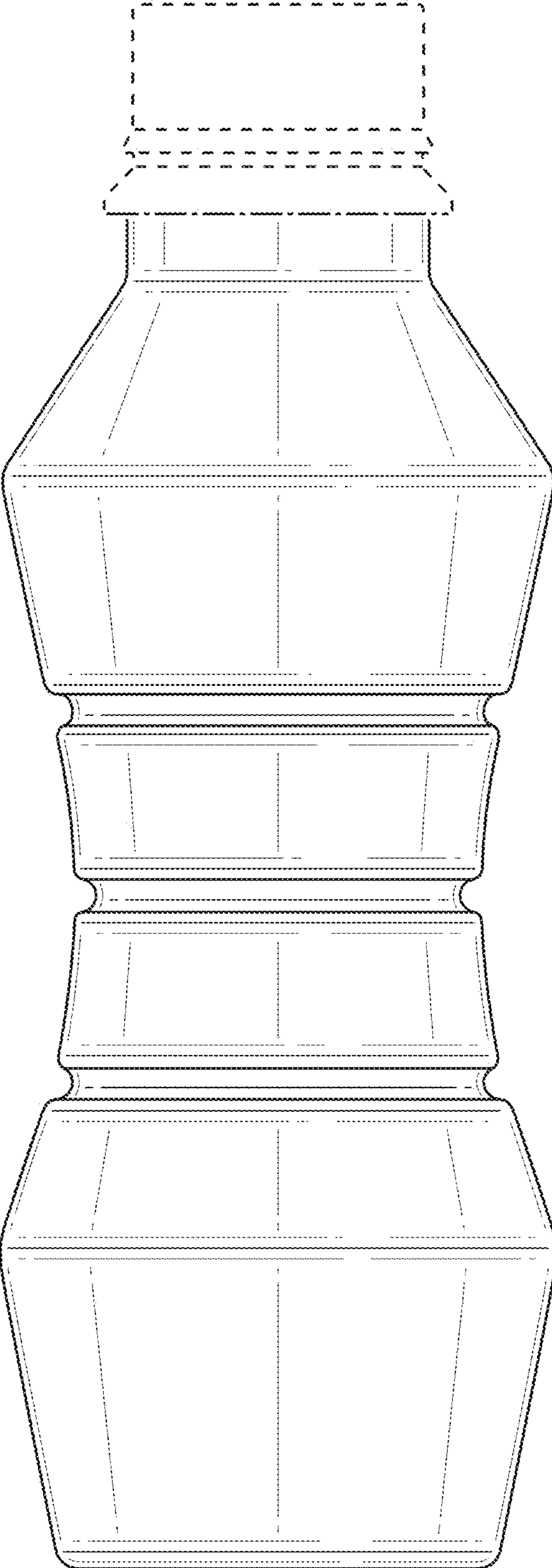


FIG. 4

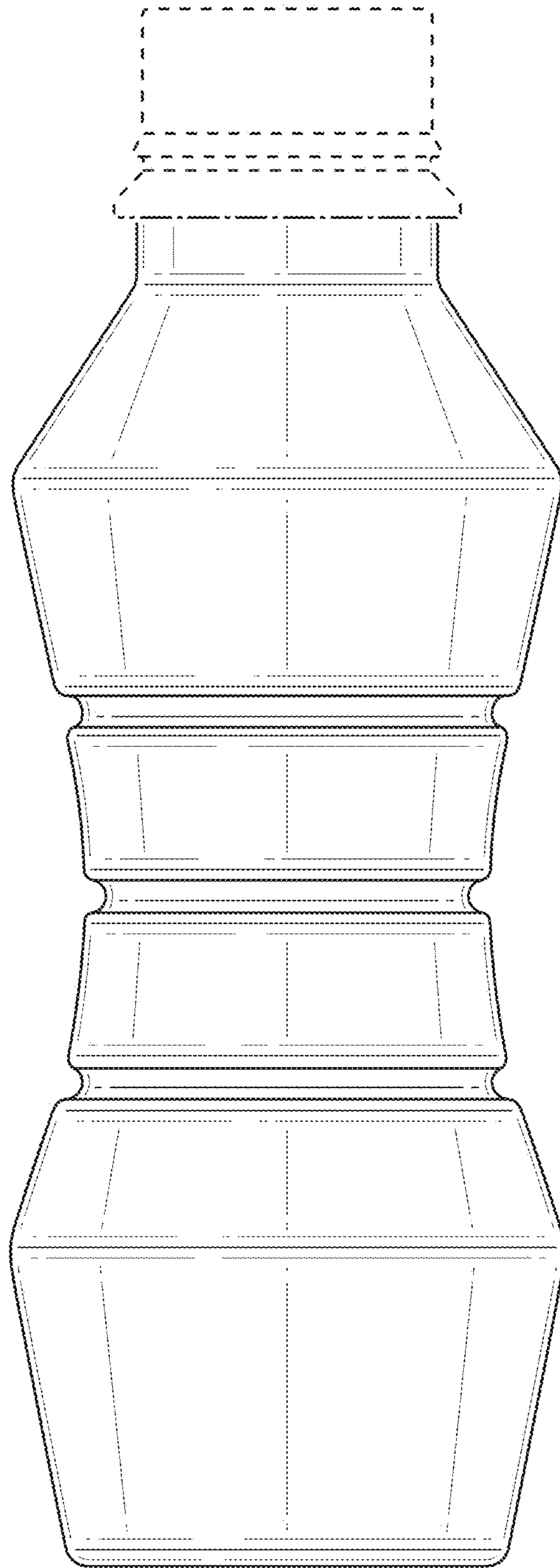


FIG. 5

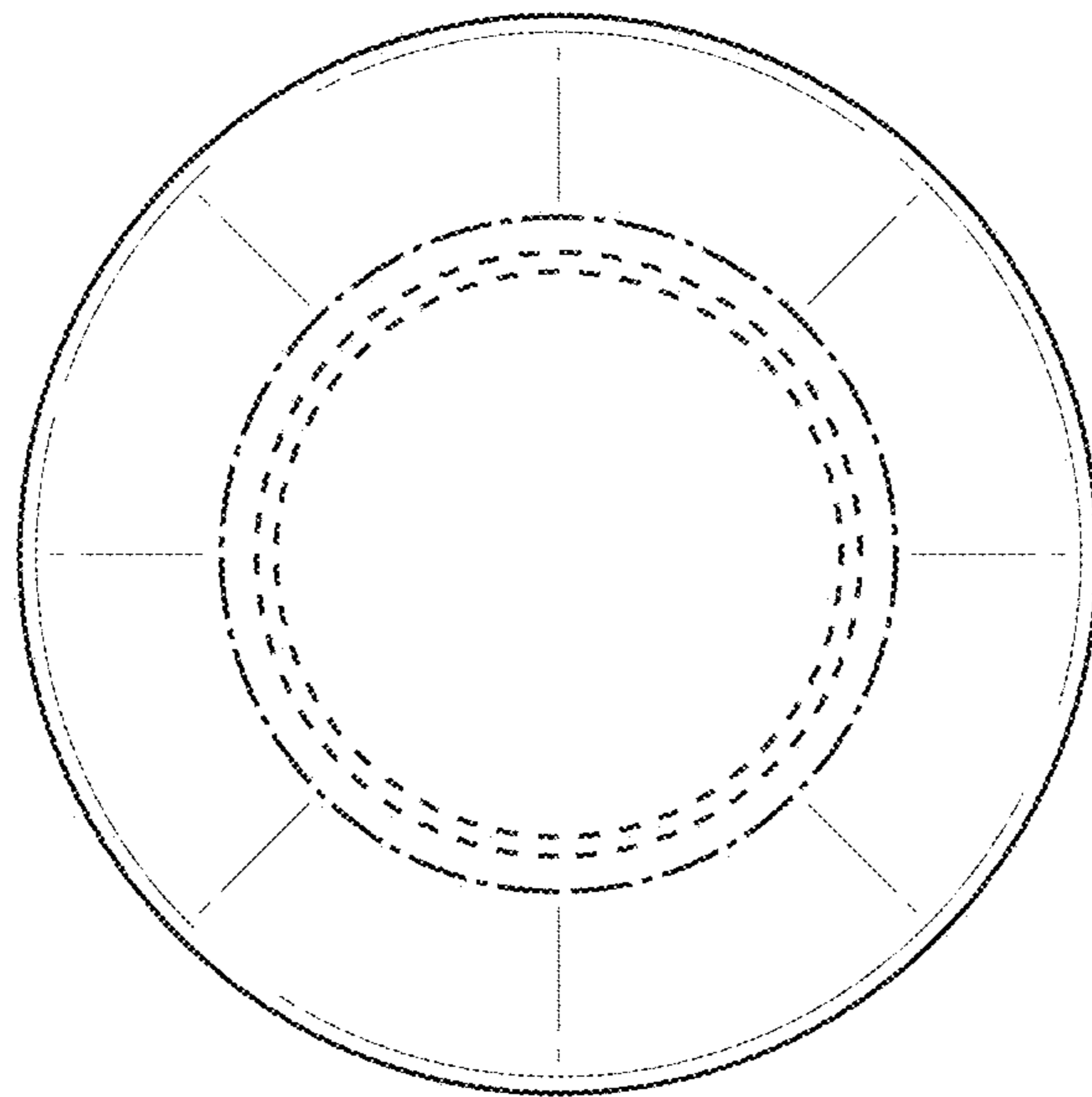


FIG. 6

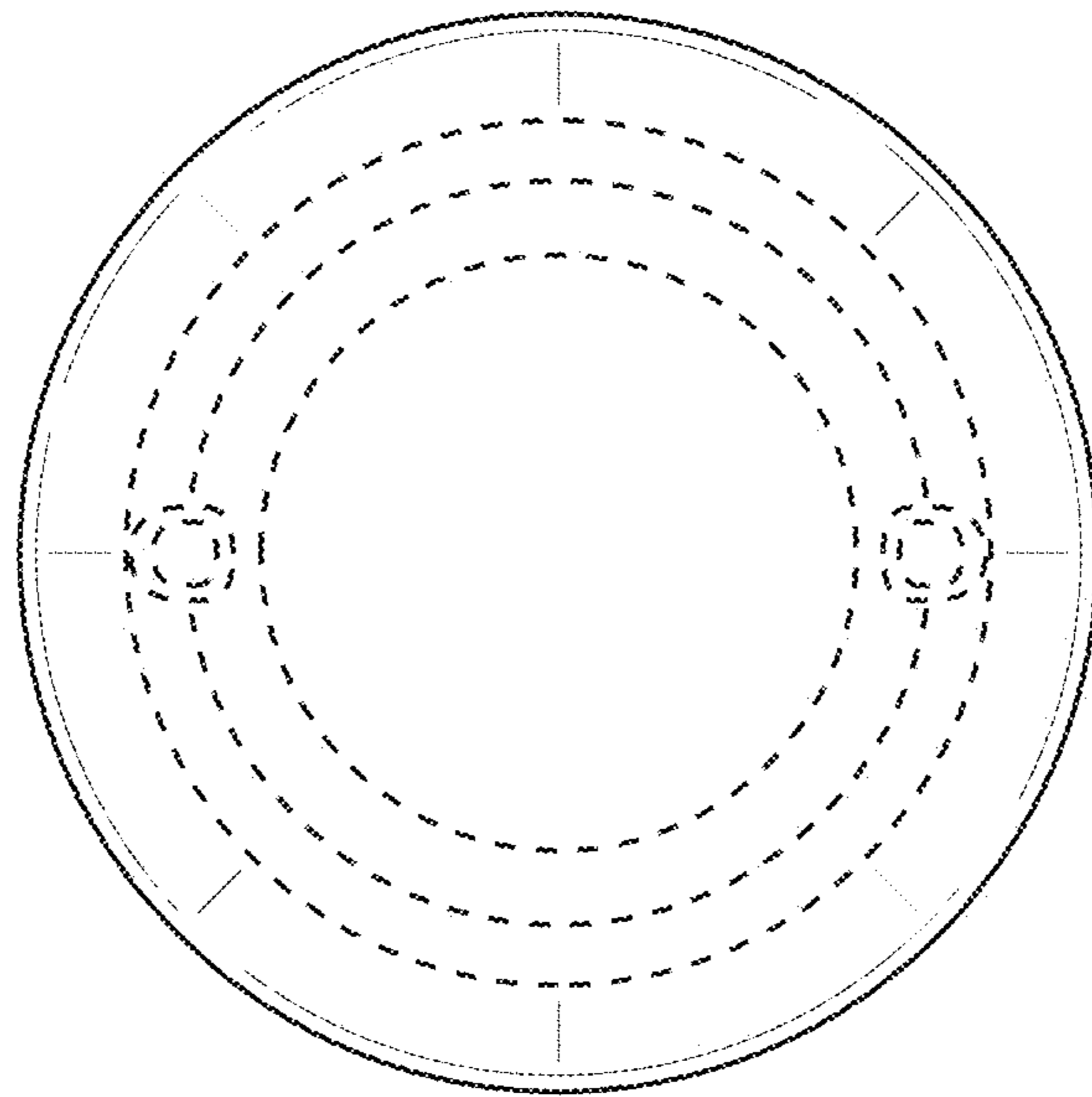


FIG. 7