



US00D871218S

(12) **United States Design Patent**
Biesecker, II et al.

(10) **Patent No.: US D871,218 S**

(45) **Date of Patent: ** Dec. 31, 2019**

- (54) **JAR**
- (71) Applicant: **Drug Plastics & Glass Company, Inc.**,
Boyertown, PA (US)
- (72) Inventors: **Frederick N. Biesecker, II**, Boyertown,
PA (US); **Lissa Biesecker Longacre**,
Boyertown, PA (US); **Bruce T.**
Cleevely, Boyertown, PA (US); **Joshua**
T. Koehler, Boyertown, PA (US);
Nathaniel Koller, Boyertown, PA (US);
Douglas S. Camomile, Boyertown, PA
(US)
- (73) Assignee: **Drug Plastics & Glass Company, Inc.**,
Boyertown, PA (US)
- (**) Term: **15 Years**

- (21) Appl. No.: **29/669,274**
- (22) Filed: **Nov. 7, 2018**
- (51) **LOC (12) Cl. 09-01**
- (52) **U.S. Cl.**
USPC **D9/500**
- (58) **Field of Classification Search**
USPC D9/424, 428, 434, 500, 503-504, 516,
D9/529, 549, 558; D3/203.2;
D7/629-630; D24/224; D28/91
CPC . B65D 1/00; B65D 1/10; B65D 23/00; B65D
2501/00; B65D 2501/0009; A45D 23/003;
A45D 34/00; A45D 40/0068
See application file for complete search history.

- (56) **References Cited**
U.S. PATENT DOCUMENTS
D26,704 S * 3/1897 Morningstar D9/503
D28,413 S * 3/1898 Taite D9/504
1,986,271 A * 1/1935 Keith A45D 40/0068
215/235

- D98,055 S * 1/1936 Conner D9/502
- 2,076,551 A * 4/1937 Conner A45D 40/0068
215/12.1
- 2,077,215 A * 4/1937 Conner A45D 40/0068
215/12.1
- 2,077,216 A * 4/1937 Conner A45D 40/0068
215/12.1
- 2,077,217 A * 4/1937 Conner A45D 40/0068
215/12.1
- 3,017,049 A * 1/1962 Powell B65D 50/061
215/223
- D237,361 S * 10/1975 Picker D9/503
- D470,273 S * 2/2003 Revivo D28/76
- D506,128 S * 6/2005 Foi D9/715
- D578,891 S * 10/2008 Canamasas Puigbo D9/500
- D617,941 S * 6/2010 Bjorkholm D27/172
- 7,798,319 B1 * 9/2010 Bried A24F 23/00
206/242
- D640,546 S * 6/2011 Berggren D9/421
- D644,941 S * 9/2011 Hermans D9/772

(Continued)

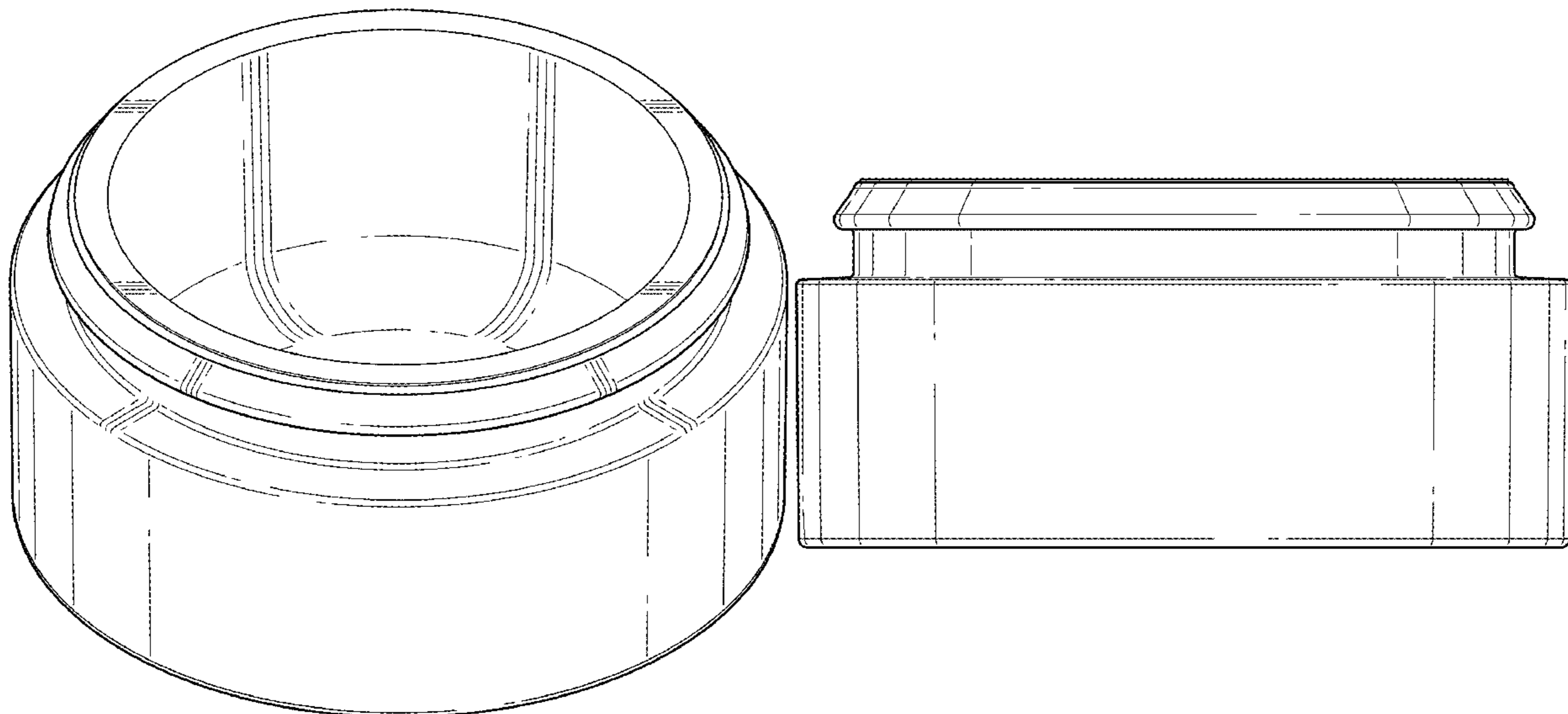
Primary Examiner — Dana Meyrow
(74) *Attorney, Agent, or Firm* — Panitch Schwarze
Belisario & Nadel LLP

(57) **CLAIM**
The ornamental design for a jar, as shown and described.

DESCRIPTION

FIG. 1 is a top perspective view of a jar in accordance with my new design;
FIG. 2 is a front elevational view thereof, rear elevational and side elevational views being substantially the same;
FIG. 3 is a top plan view thereof; and
FIG. 4 is another top perspective view thereof of the jar of FIGS. 1-3 shown with an unclaimed cap; and,
FIG. 5 is an top perspective view thereof with a preferred cap mounted thereto.
The broken lines depict portions of the environment that form no part of the claimed design.

1 Claim, 4 Drawing Sheets



(56)

References Cited

U.S. PATENT DOCUMENTS

D650,269	S *	12/2011	Berggren	D9/423
D651,519	S *	1/2012	Gibson	D9/428
D653,127	S *	1/2012	Cronin	D27/172
D733,967	S *	7/2015	Schlatter	D28/85
D738,111	S *	9/2015	Otto	D3/302
D746,627	S *	1/2016	Puigbo	D9/503
D769,719	S *	10/2016	Lebon	D9/500
D784,138	S *	4/2017	Kim	D9/454
9,926,114	B2 *	3/2018	Eberlein	A45D 33/00
D814,705	S *	4/2018	Norris	D28/82
2010/0176131	A1 *	7/2010	Lopez Leon	A45D 40/0068 220/315

* cited by examiner

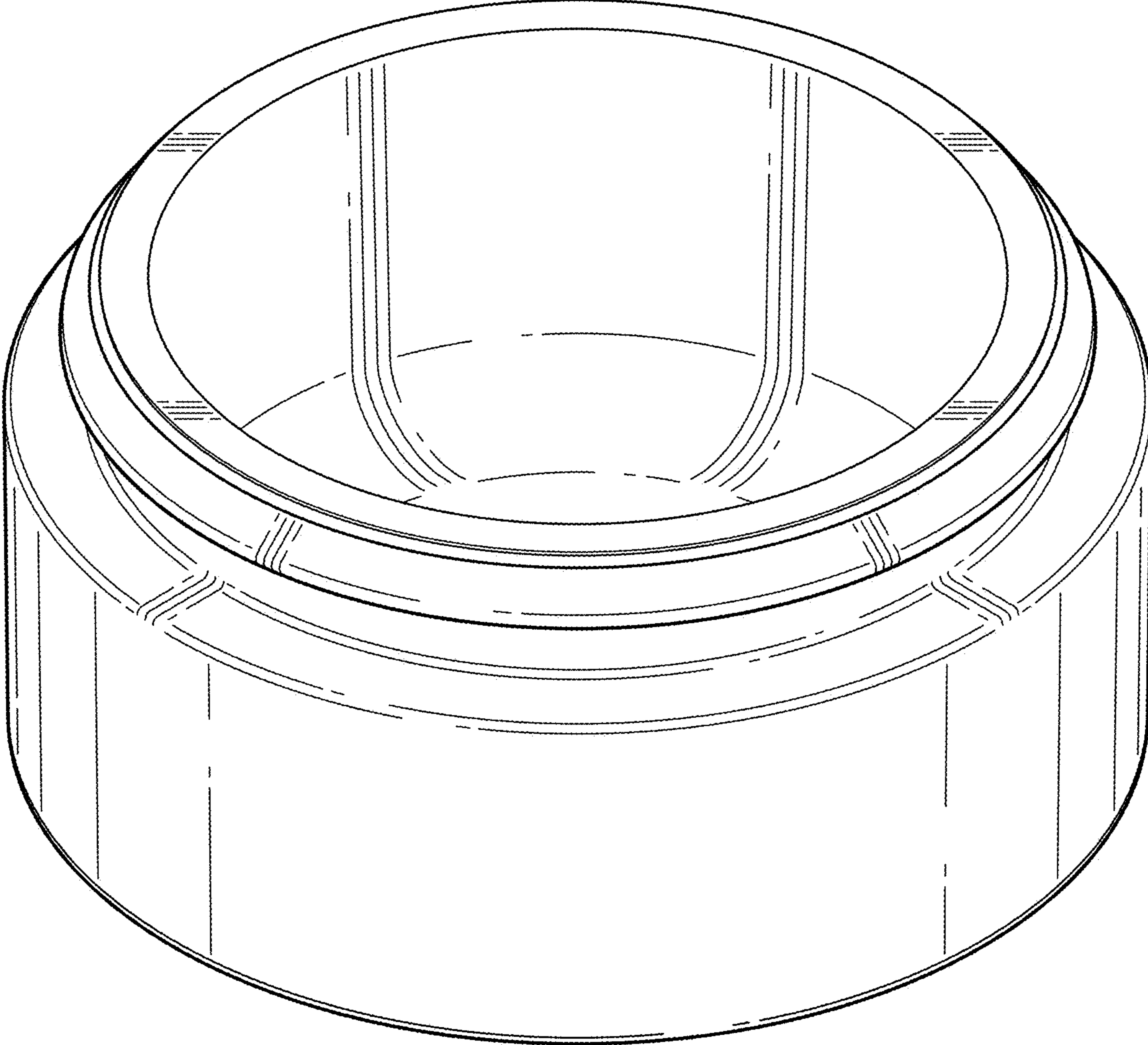


FIG. 1

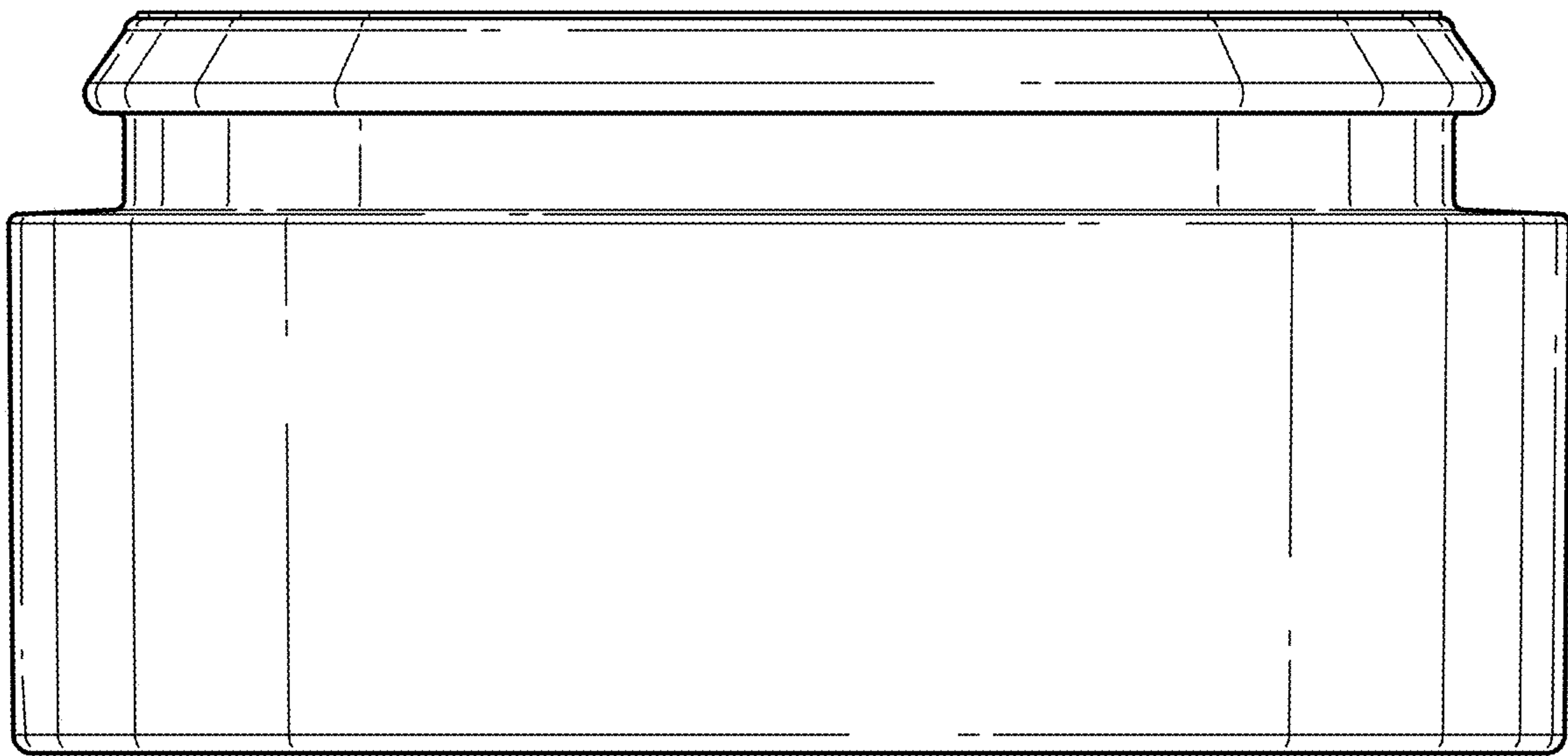


FIG. 2

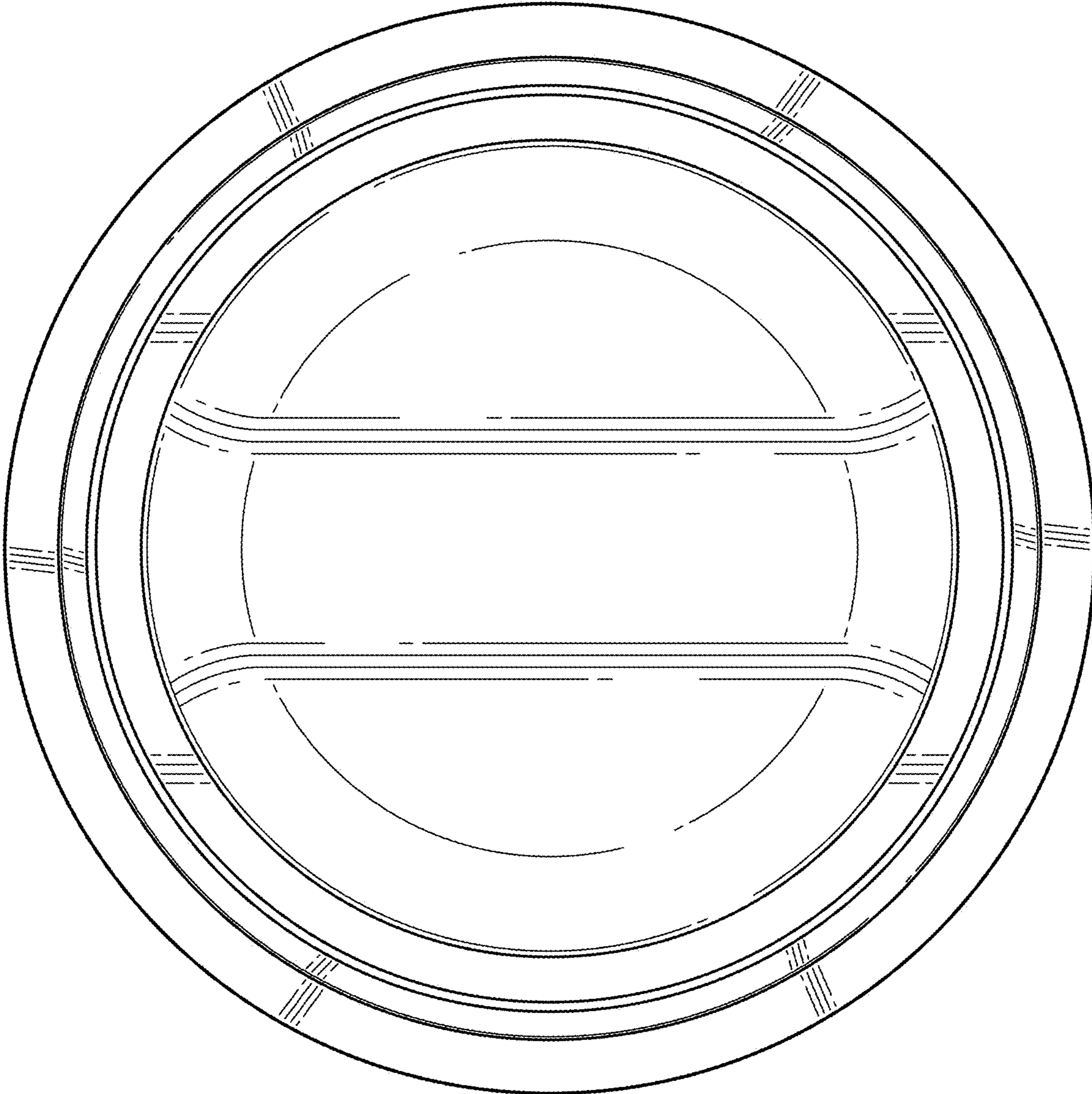


FIG. 3

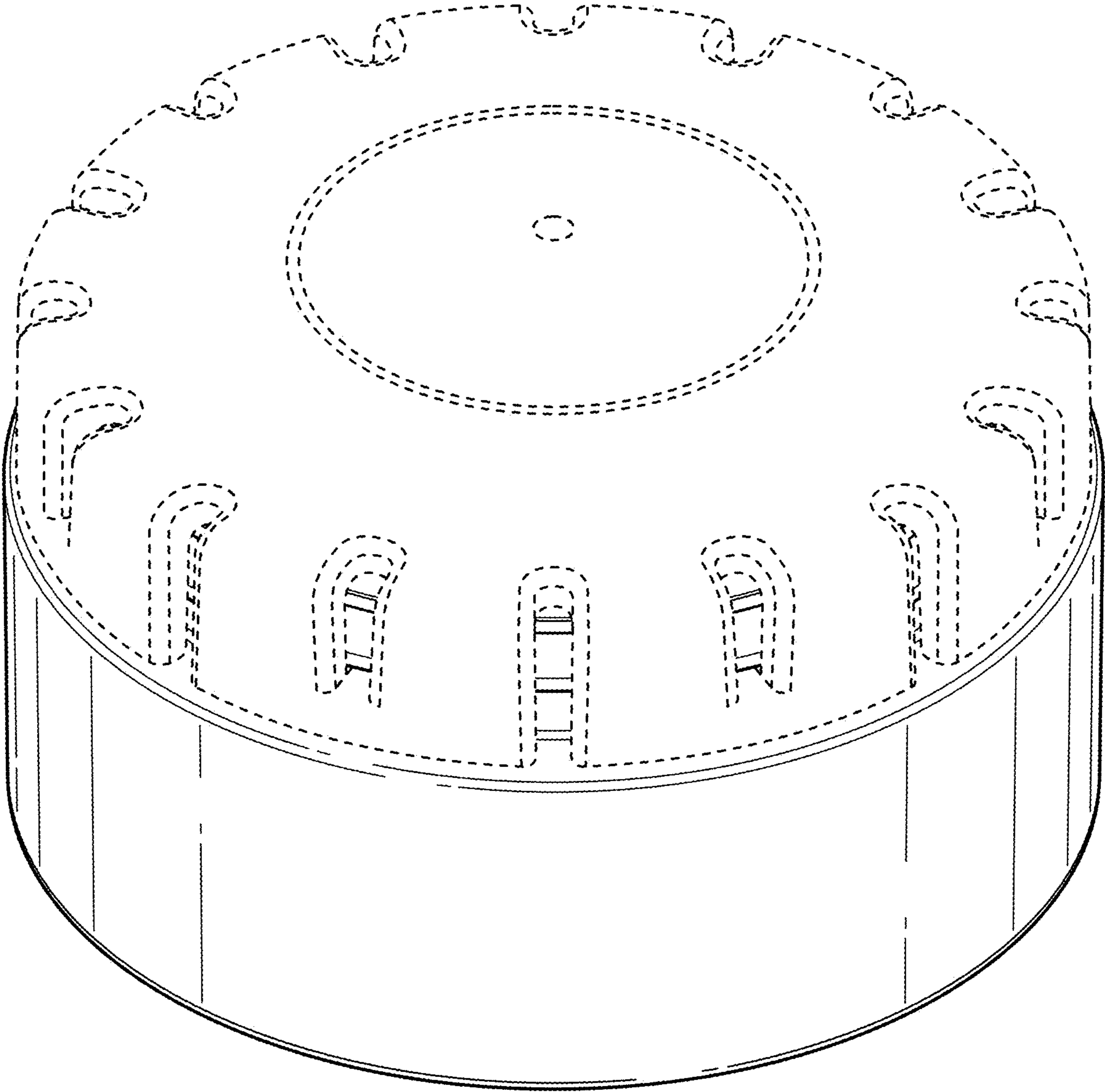


FIG. 4