



US00D871214S

(12) **United States Design Patent**  
**Wolf**

(10) **Patent No.:** **US D871,214 S**

(45) **Date of Patent:** **\*\* Dec. 31, 2019**

(54) **BAG INSERT**

(71) Applicant: **LBP Manufacturing LLC**, Cicero, IL (US)

(72) Inventor: **Kurt Wolf**, Chicago, IL (US)

(73) Assignee: **LBP Manufacturing LLC**, Cicero, IL (US)

(\*\*) Term: **15 Years**

(21) Appl. No.: **29/642,103**

(22) Filed: **Mar. 27, 2018**

(51) **LOC (12) Cl.** ..... **09-07**

(52) **U.S. Cl.**

USPC ..... **D9/456; D9/737**

(58) **Field of Classification Search**

USPC ..... D9/414-423, 430-433, 454, 456, 457,  
D9/600, 667, 711, 713, 721-722, 732,  
D9/737, 756; D20/10, 22; D19/2, 26, 86  
CPC ... B65D 5/00; B65D 5/02; B65D 5/18; B65D  
5/20

See application file for complete search history.

(56) **References Cited**

**U.S. PATENT DOCUMENTS**

D206,494 S *	12/1966	Watts	.....	D9/415
D268,251 S *	3/1983	Savage	.....	D9/415
5,052,552 A *	10/1991	Maroszek	.....	B65D 71/004
				206/171
5,593,041 A *	1/1997	Capozzi	.....	B65D 73/0085
				206/462
D386,073 S *	11/1997	Hanson	.....	D9/432
5,797,486 A *	8/1998	Picciolo	.....	B65D 71/48
				206/162
D461,712 S *	8/2002	Davis	.....	D9/753
6,834,762 B2 *	12/2004	Krisko	.....	B65D 71/0022
				206/162
D520,868 S *	5/2006	Tada	.....	D9/415
D567,671 S *	4/2008	Say Ulin	.....	D9/753

(Continued)

**OTHER PUBLICATIONS**

Meal Inserts. [online] Retrieved Jul. 30, 2019 from URL: <https://www.lbpmfg.com/product/delivery-solutions/>.\*

*Primary Examiner* — Vy N Koenig

(74) *Attorney, Agent, or Firm* — Fitch, Even, Tabin & Flannery LLP

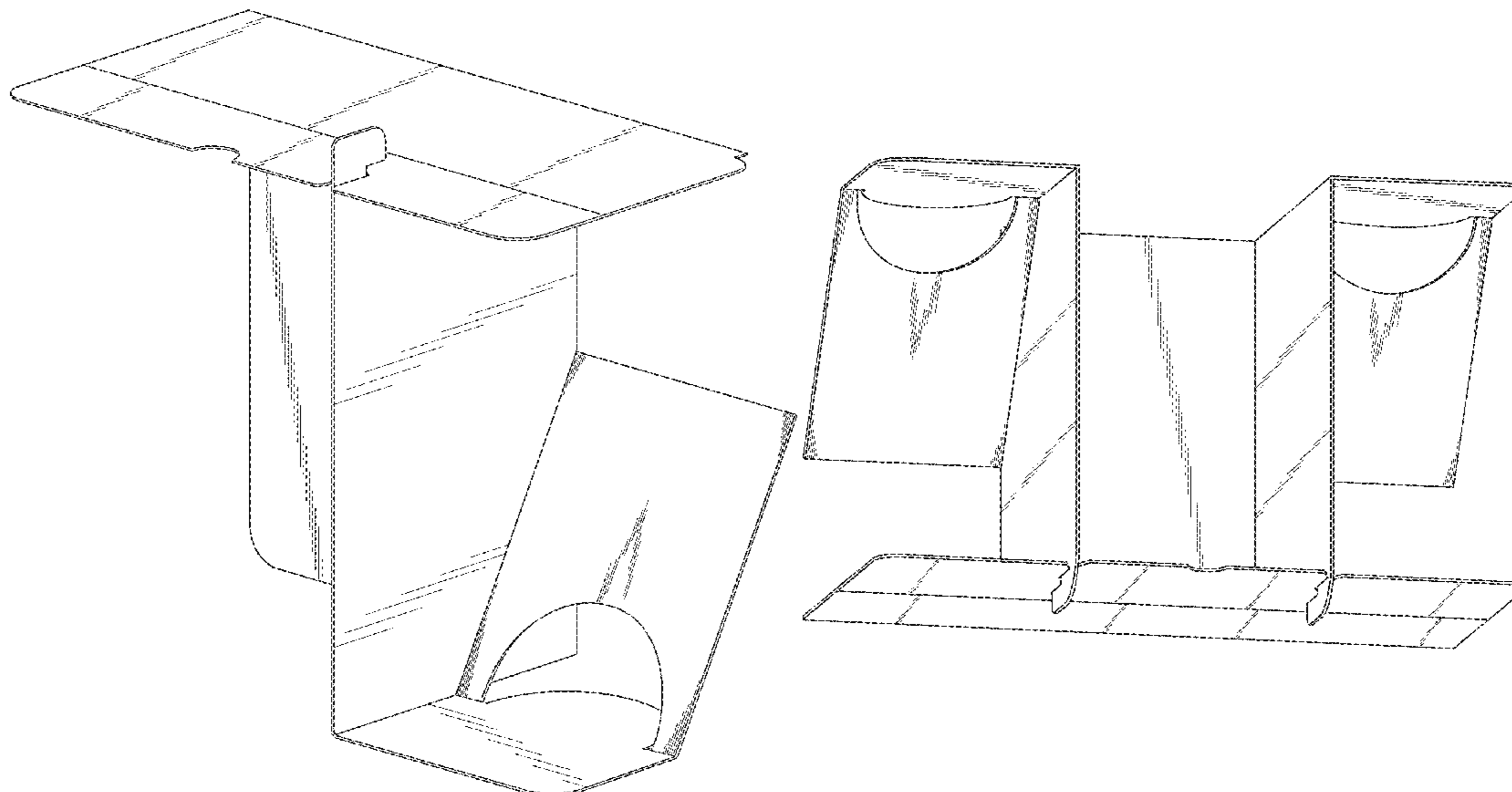
(57) **CLAIM**

I claim the ornamental design for a bag insert, as shown and described.

**DESCRIPTION**

FIG. 1 is a perspective view of a bag insert showing my new design;  
 FIG. 2 is a front elevational view of the bag insert of FIG. 1;  
 FIG. 3 is a rear elevational view of the bag insert of FIG. 1;  
 FIG. 4 is a top plan view of the bag insert of FIG. 1;  
 FIG. 5 is a bottom plan view of the bag insert of FIG. 1;  
 FIG. 6 is a right side elevated view of the bag insert of FIG. 1;  
 FIG. 7 is a left side elevated view of the bag insert of FIG. 1;  
 FIG. 8 is perspective view of a second embodiment of a bag insert;  
 FIG. 9 is a front elevational view of the bag insert of FIG. 8;  
 FIG. 10 is a rear elevational view of the bag insert of FIG. 8;  
 FIG. 11 is a top plan view of the bag insert of FIG. 8;  
 FIG. 12 is a bottom plan view of the bag insert of FIG. 8;  
 FIG. 13 is a right side elevated view of the bag insert of FIG. 8; and,  
 FIG. 14 is a left side elevated view of the bag insert of FIG. 8.

**1 Claim, 14 Drawing Sheets**



(56)

**References Cited**

U.S. PATENT DOCUMENTS

8,091,702 B1 *	1/2012	Keip .....	A47G 23/0208 206/171
D660,701 S *	5/2012	Cox .....	D9/455
D668,545 S *	10/2012	Cox .....	D9/455
D694,125 S *	11/2013	Holsmer .....	D9/753
D730,197 S *	5/2015	Perkins .....	D9/751

\* cited by examiner

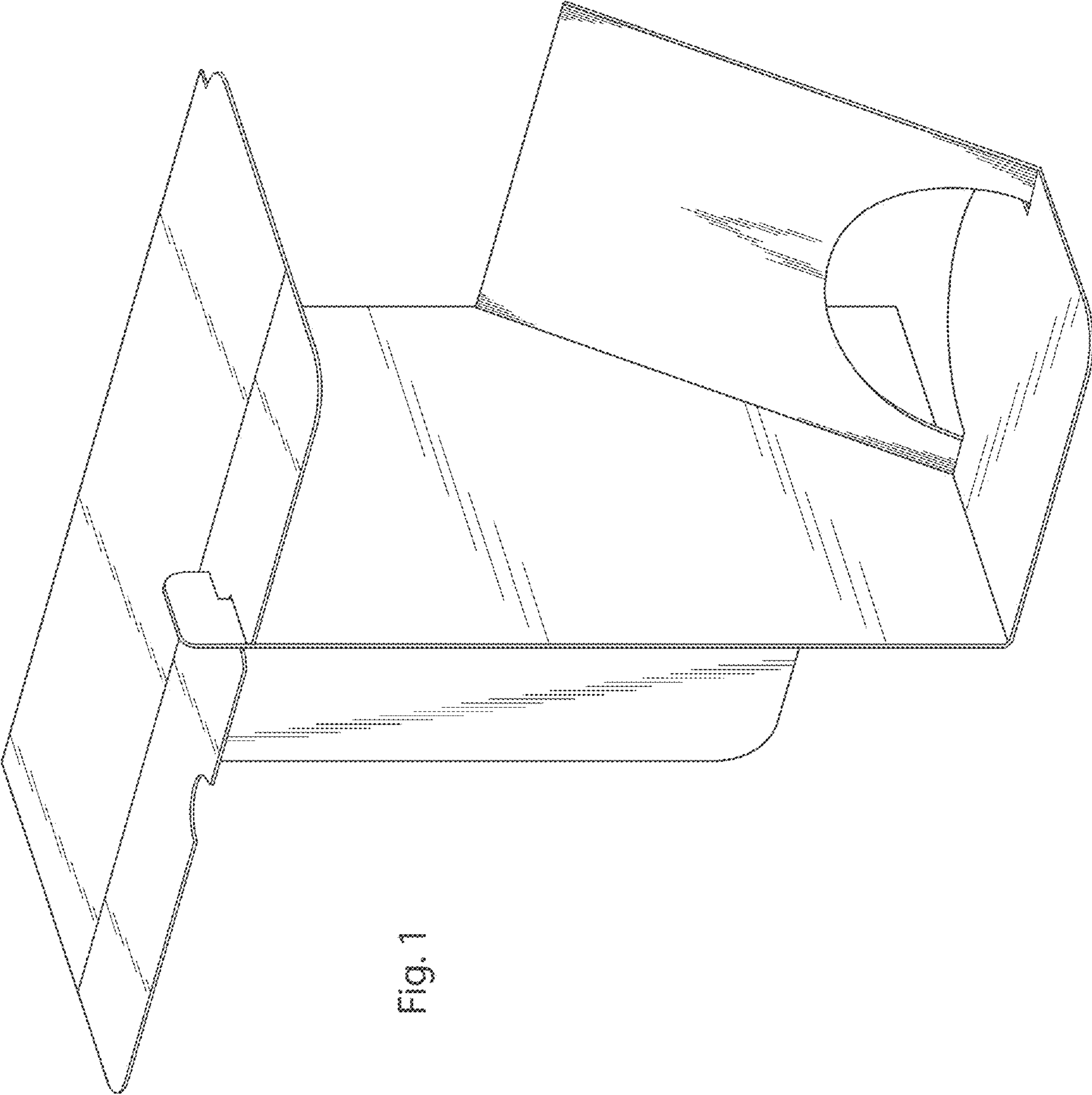


Fig. 1

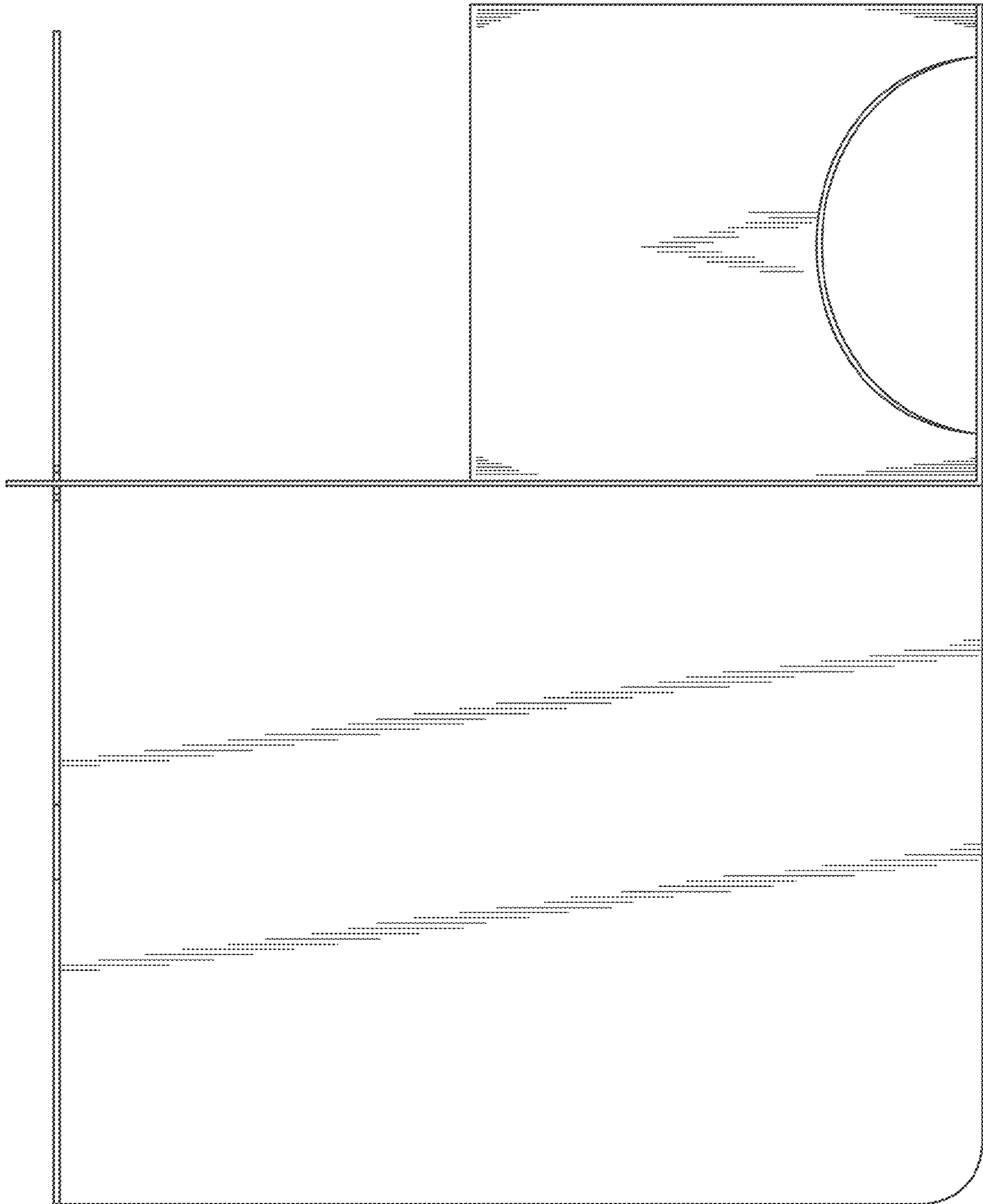


Fig. 2

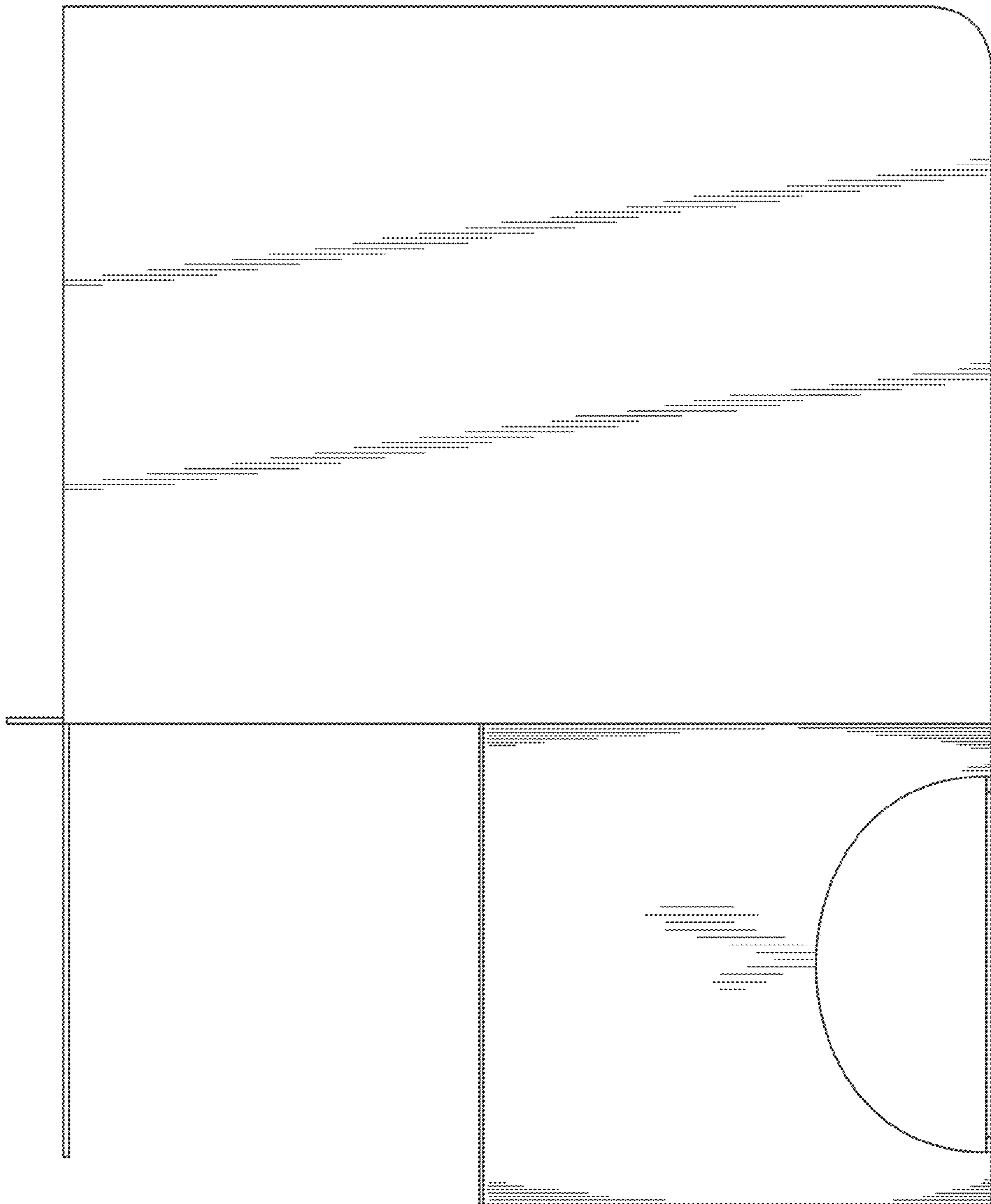
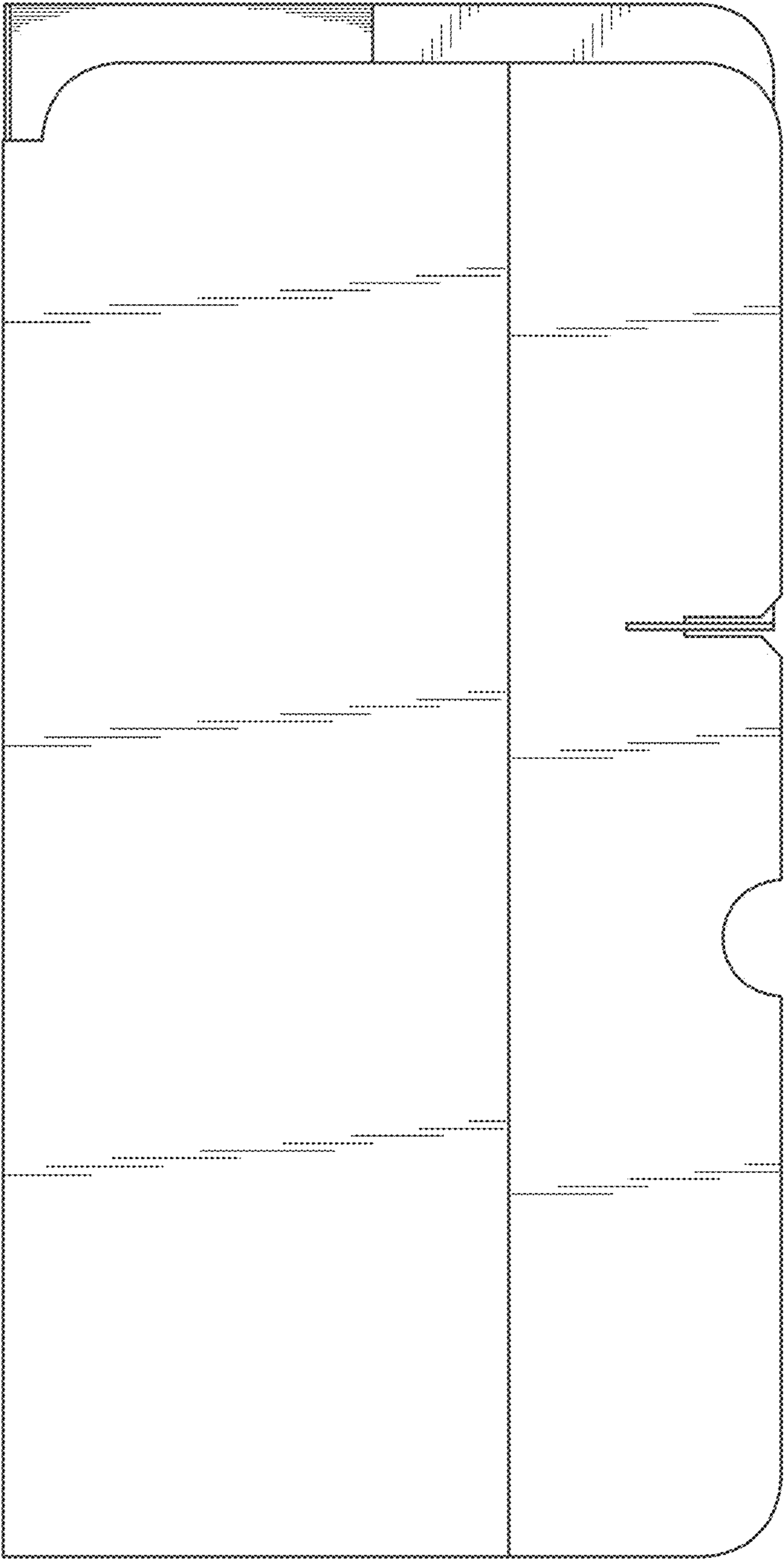


Fig. 3

Fig. 4



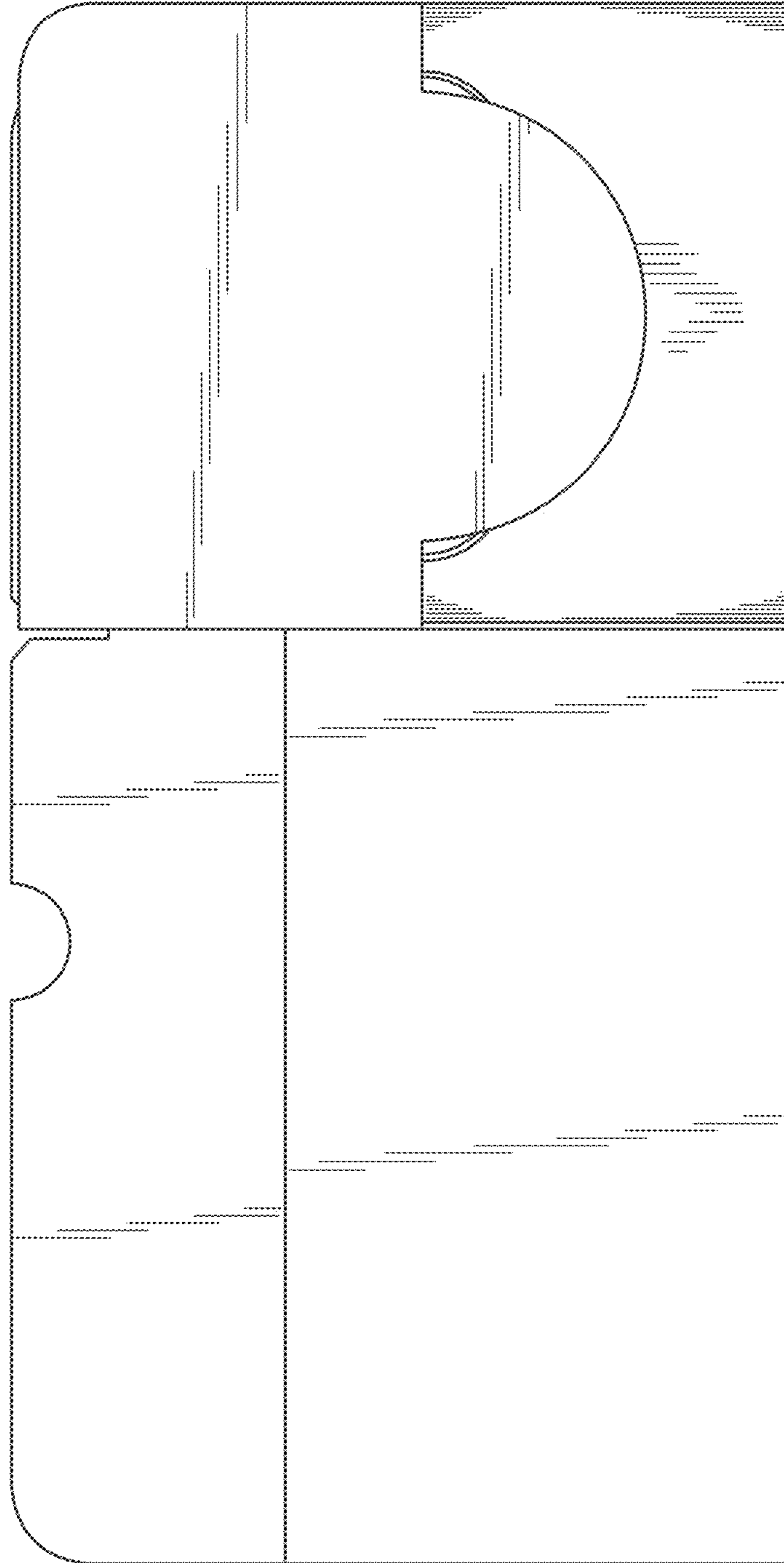


Fig. 5

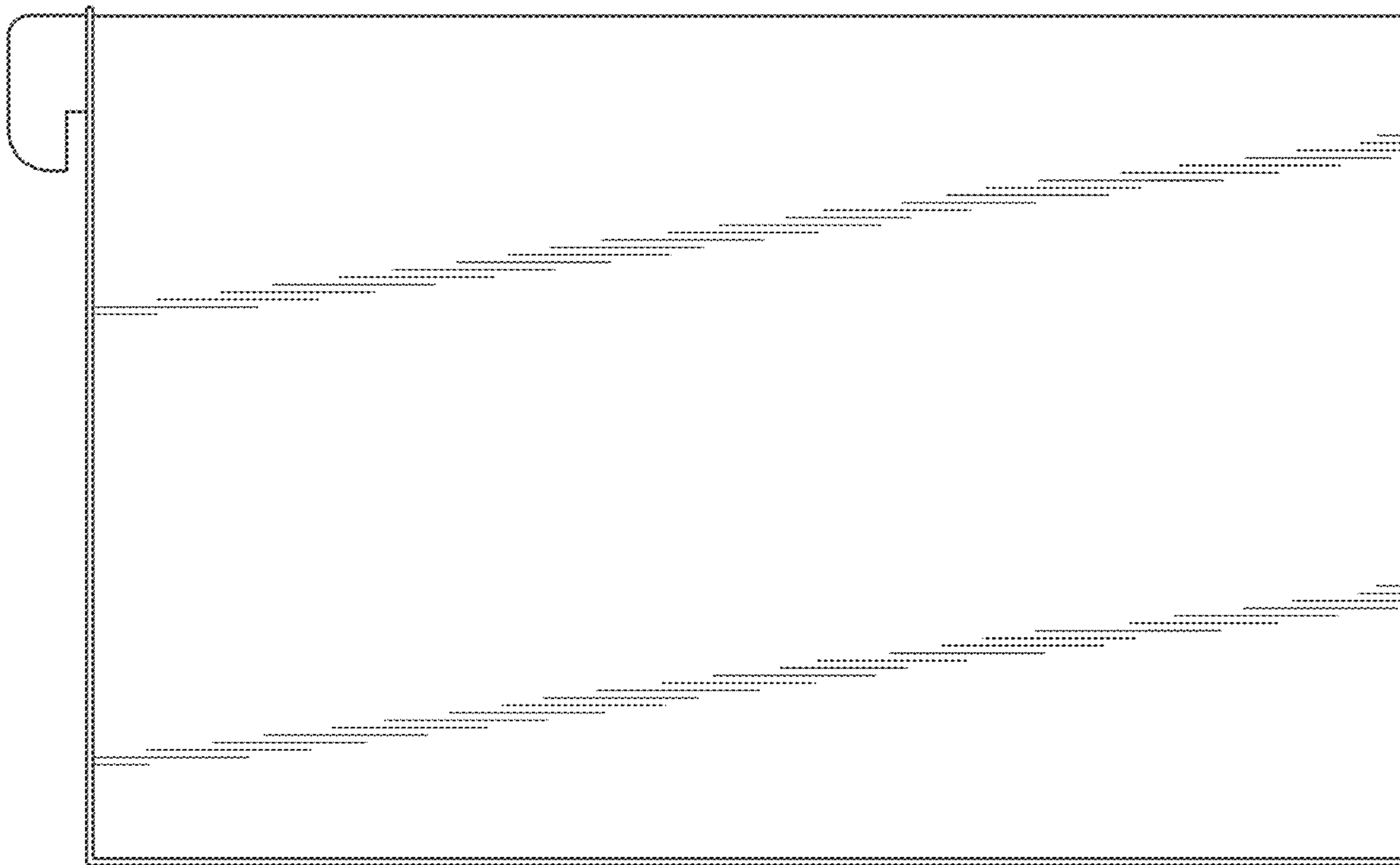


Fig. 6



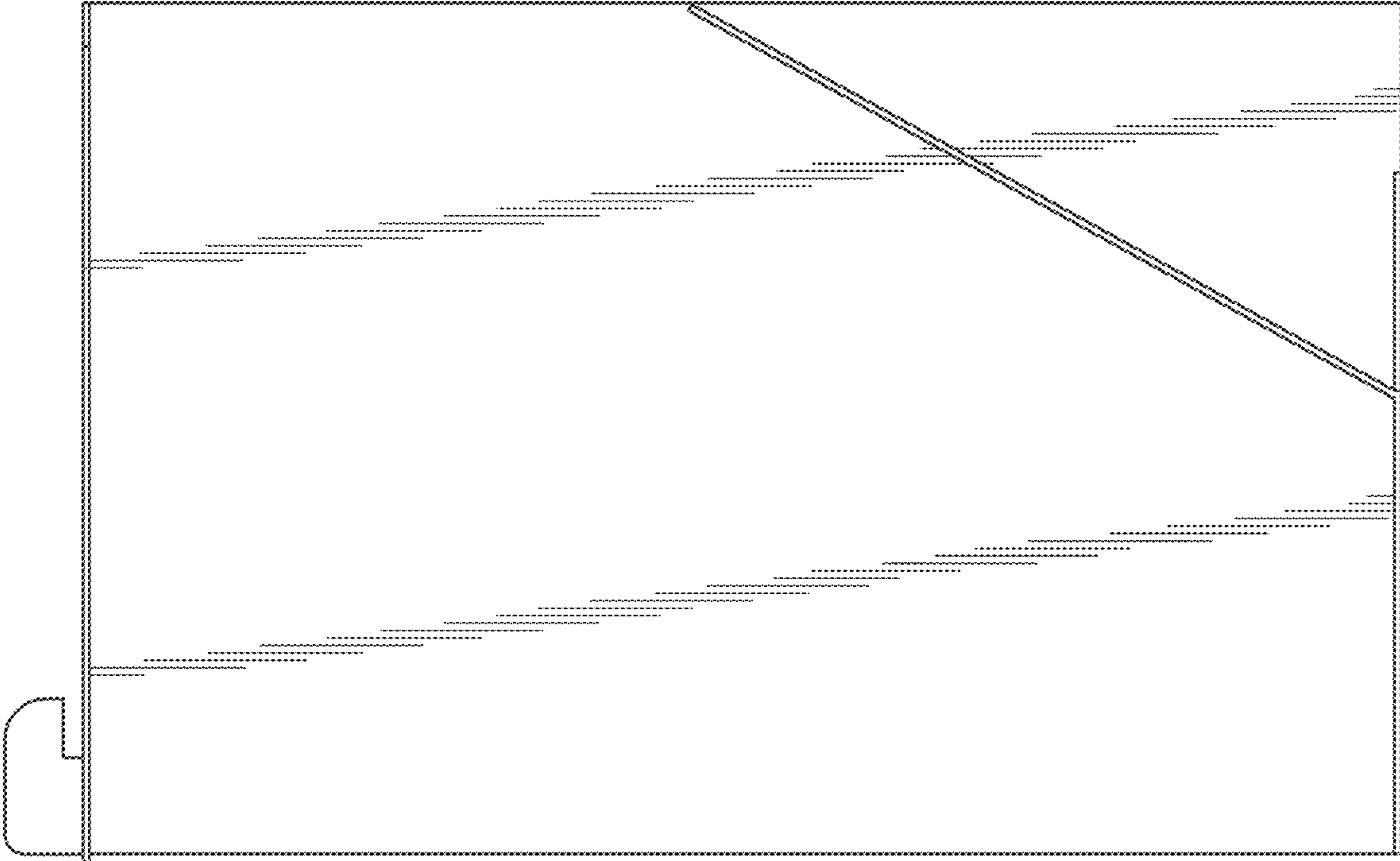


Fig. 7

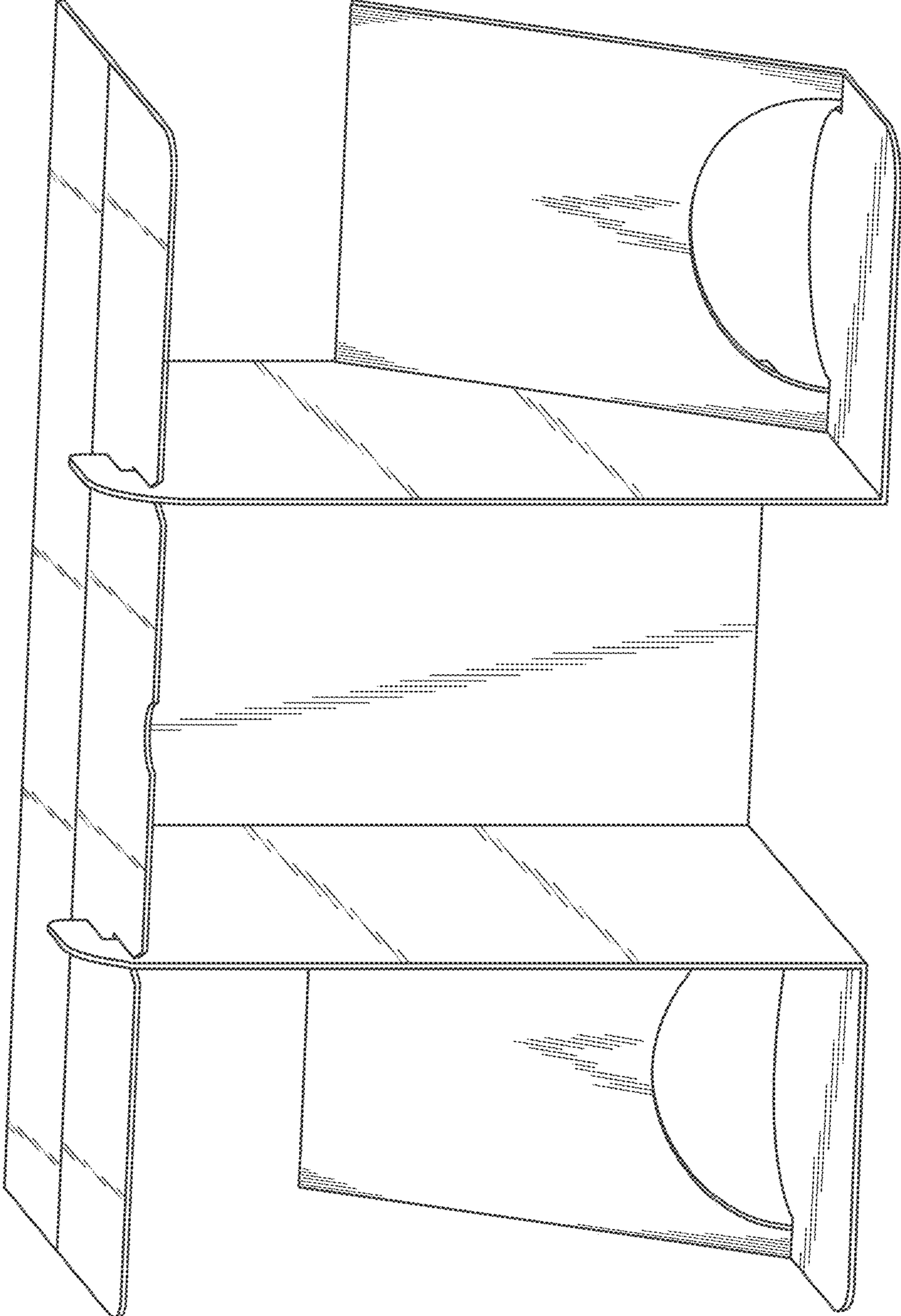


Fig. 8

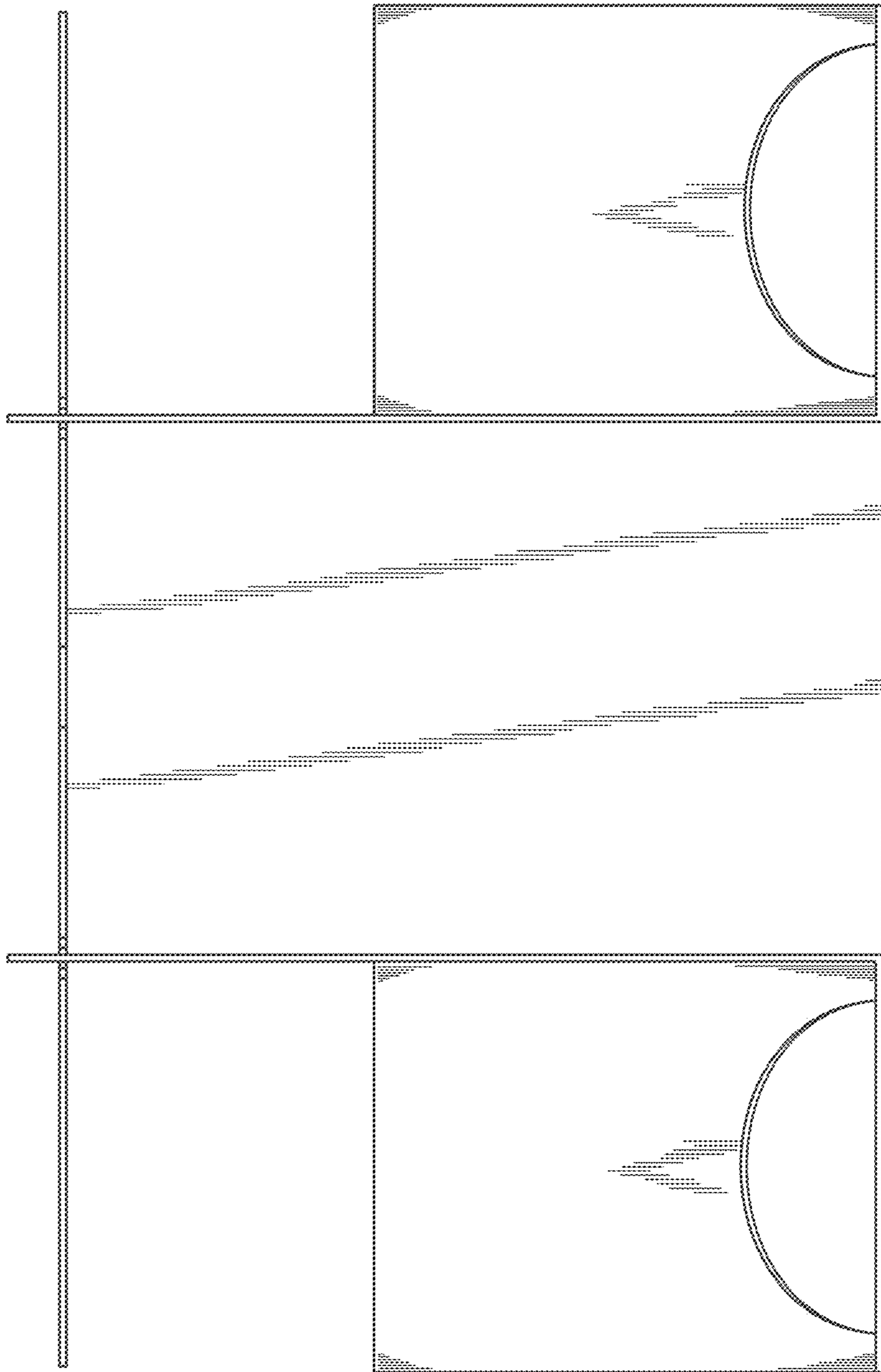


Fig. 9

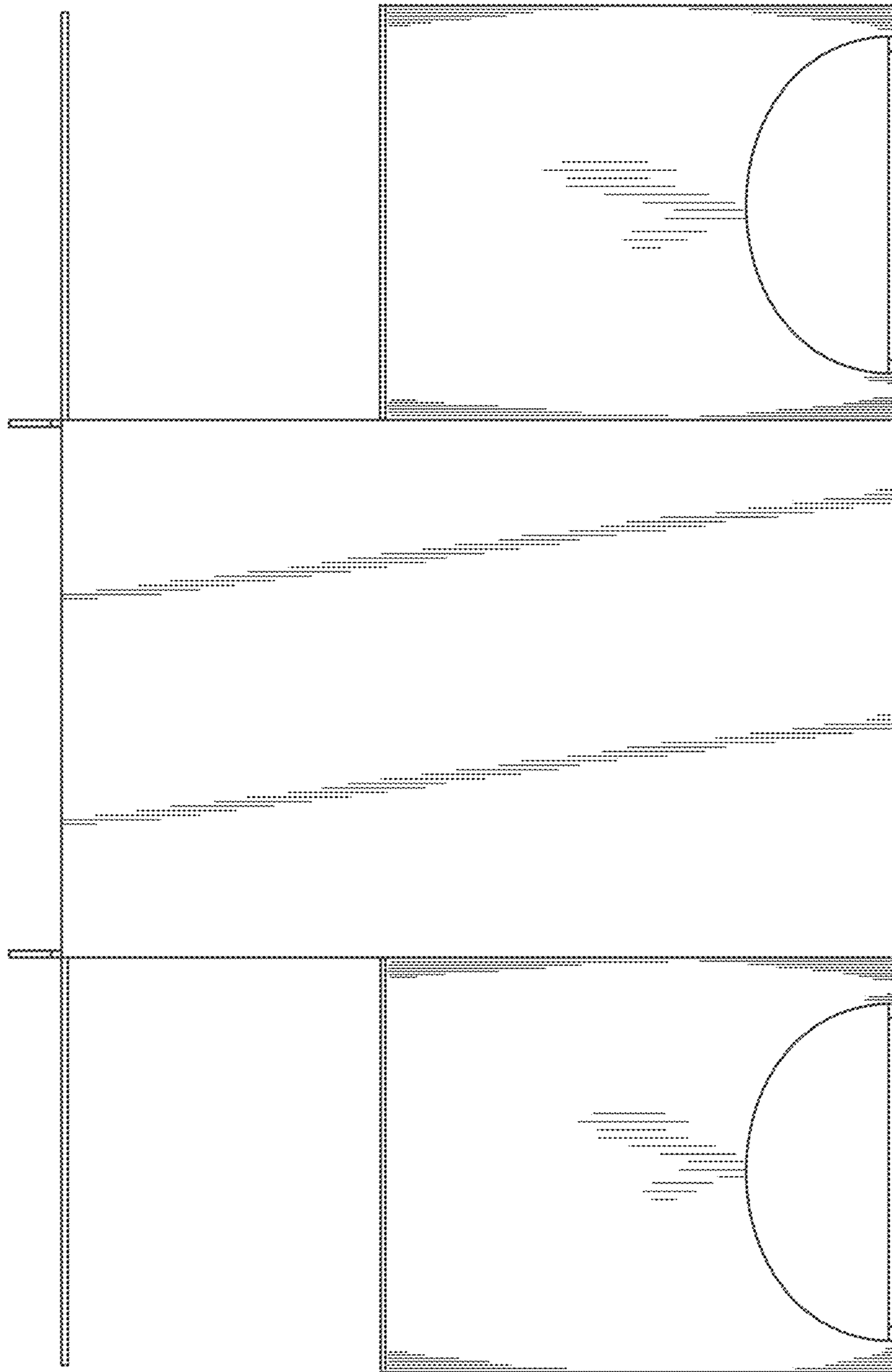


Fig. 10

Fig. 11

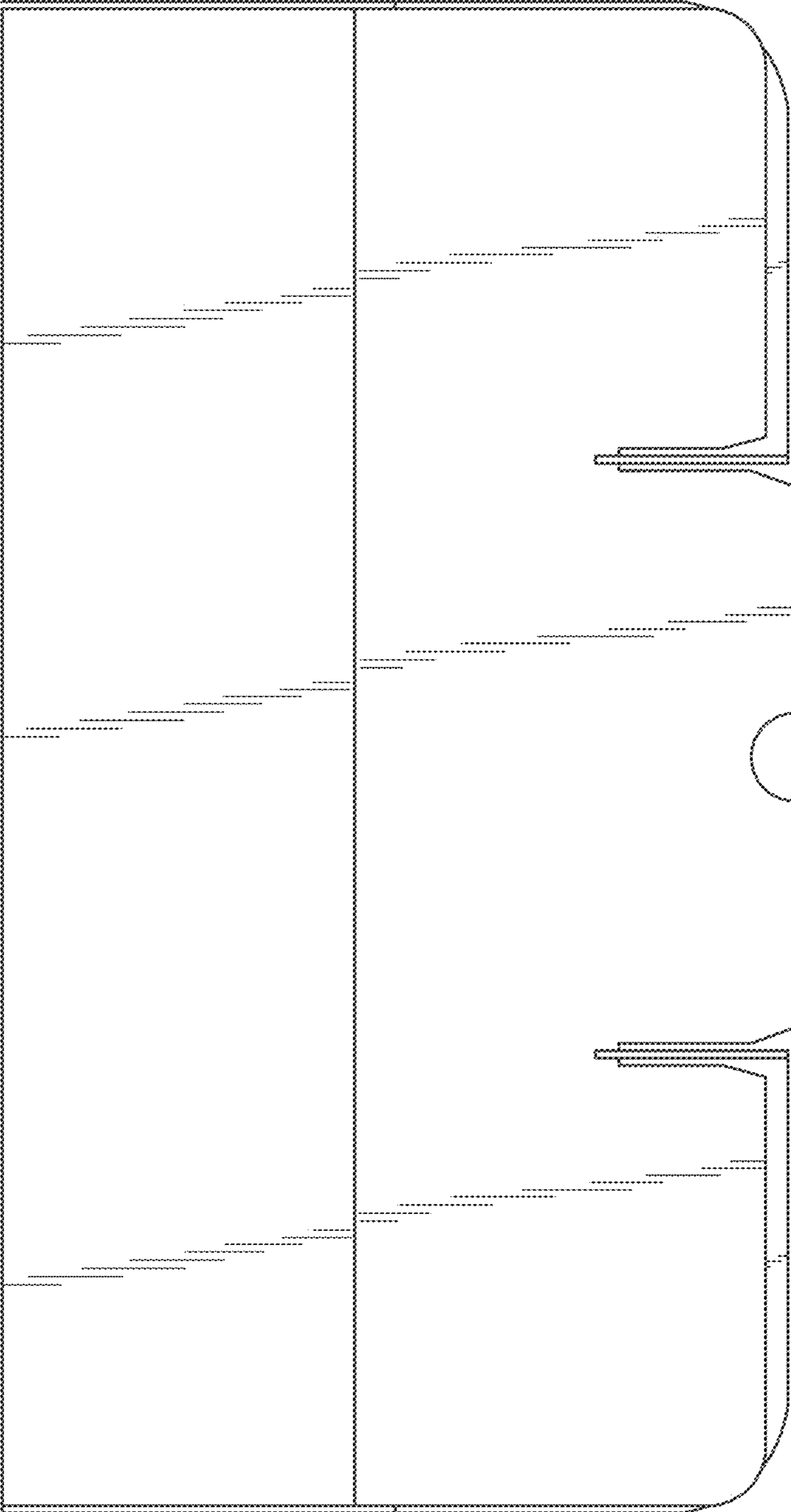
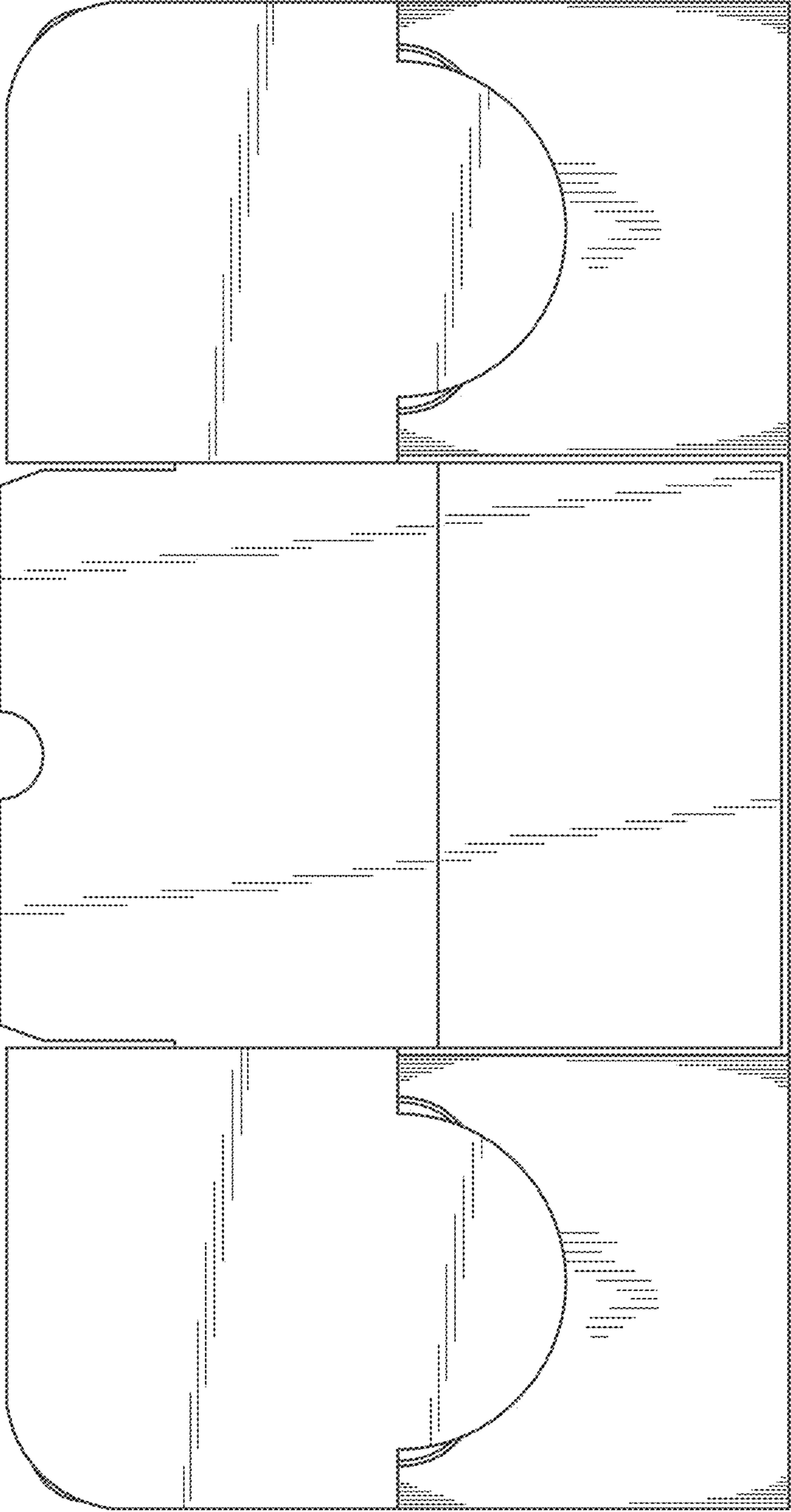


Fig. 12



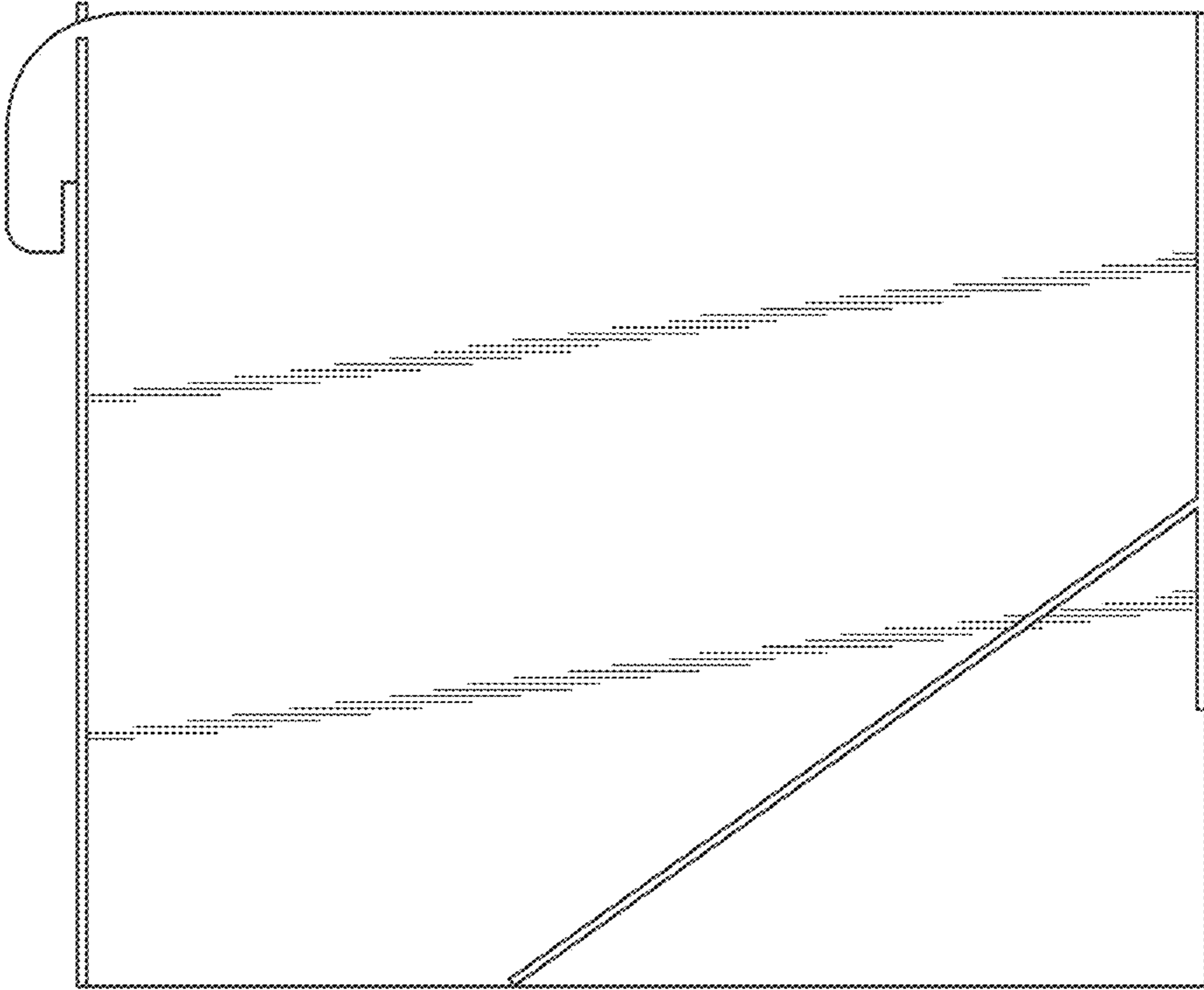


Fig. 13

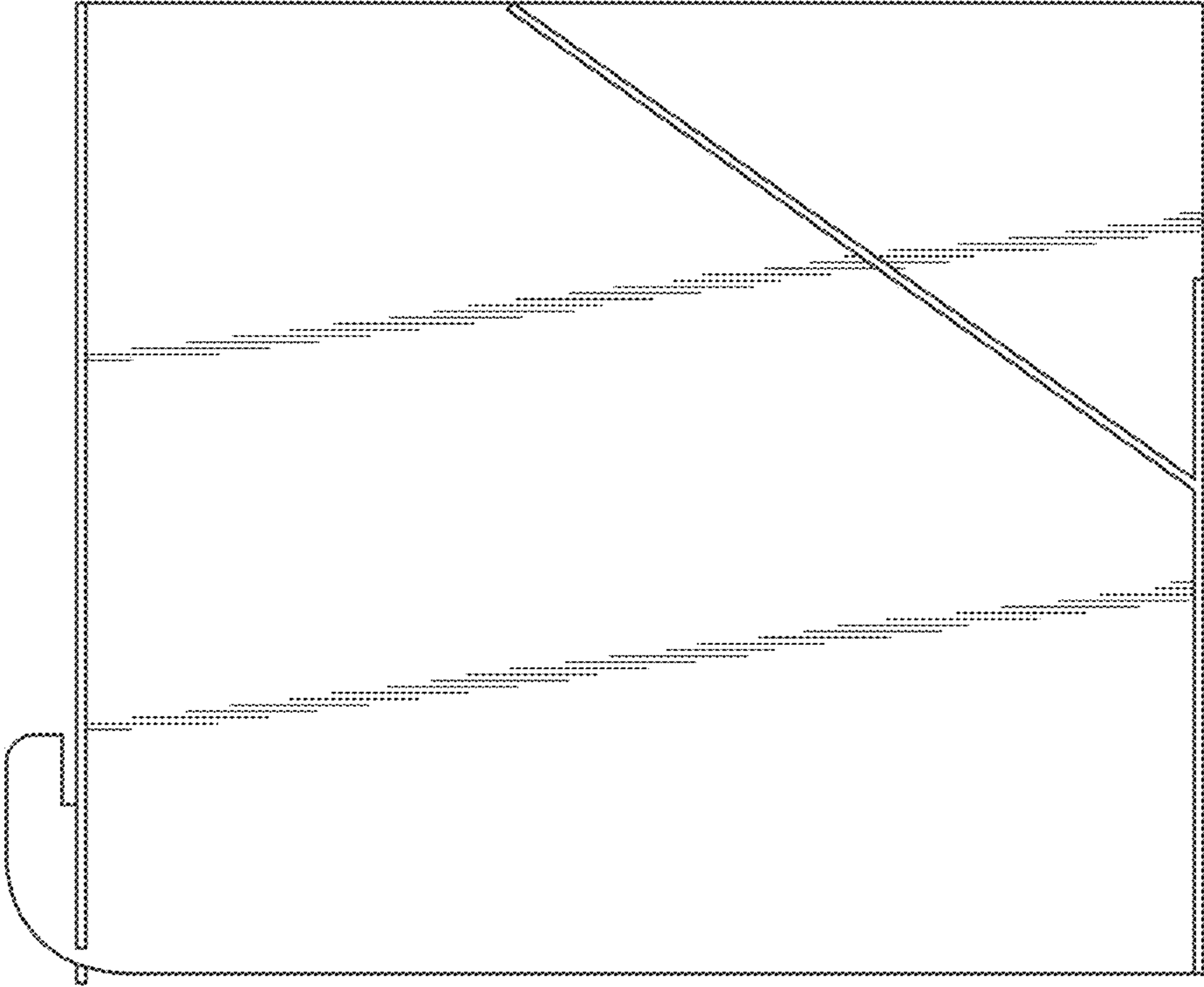


Fig. 14