



US00D871209S

(12) **United States Design Patent** (10) **Patent No.:** **US D871,209 S**
Huang et al. (45) **Date of Patent:** **** Dec. 31, 2019**

(54) **CONTAINER**

Primary Examiner — Vy N Koenig

(74) *Attorney, Agent, or Firm* — Gary J. Foose

(71) Applicant: **The Procter & Gamble Company**,
Cincinnati, OH (US)

(72) Inventors: **Sun-Jan Alan Huang**, Cincinnati, OH
(US); **Mark Robert Sivik**, Mason, OH
(US); **Frank William Denome**,
Hamilton, OH (US); **Christopher Lee
Haun**, Amelia, OH (US)

(57) **CLAIM**

The ornamental design for a container, as shown and described.

(73) Assignee: **The Procter & Gamble Company**,
Cincinnati, OH (US)

DESCRIPTION

(**) Term: **15 Years**

FIG. 1 is a top perspective view of an embodiment of a container embodying our new design; FIG. 2 is a front view of the container; FIG. 3 is a left view of the container; FIG. 4 is a back view of the container; FIG. 5 is a right view of the container; FIG. 6 is a top view of the container; FIG. 7 is a bottom view of the container; FIG. 8 is a top perspective view of a second embodiment of a container embodying our new design; FIG. 9 is a front view of the second embodiment of the container of FIG. 8; FIG. 10 is a left view of the second embodiment of the container of FIG. 8; FIG. 11 is a back view of the second embodiment of the container of FIG. 8; FIG. 12 is a right view of the second embodiment of the container of FIG. 8; FIG. 13 is a top view of the second embodiment of the container of FIG. 8; FIG. 14 is a bottom view of the second embodiment of the container of FIG. 8; FIG. 15 is a top perspective view of a third embodiment of a container embodying our new design; FIG. 16 is a front view of the third embodiment of the container of FIG. 15; FIG. 17 is a left view of the third embodiment of the container of FIG. 15;

(21) Appl. No.: **29/626,129**

(22) Filed: **Nov. 15, 2017**

(51) **LOC (12) Cl.** **09-03**

(52) **U.S. Cl.**
USPC **D9/431; D9/420**

(58) **Field of Classification Search**
USPC D9/414–423, 430–432, 433, 434, 456,
D9/457, 711, 713, 721–722
(Continued)

(56) **References Cited**

U.S. PATENT DOCUMENTS

D320,556 S * 10/1991 Fairhurst D6/559
D437,554 S * 2/2001 Milton D9/420
(Continued)

OTHER PUBLICATIONS

Cardboard Ballot Box. [online] Published Oct. 25, 2011. Retrieved Aug. 27, 2018 from URL: <http://www.affordabledisplayproducts.com/Cardboard-Ballot-Boxes>.*

U.S. Appl. No. 29/628,782, filed Dec. 7, 2017, Huang, et al.

(Continued)

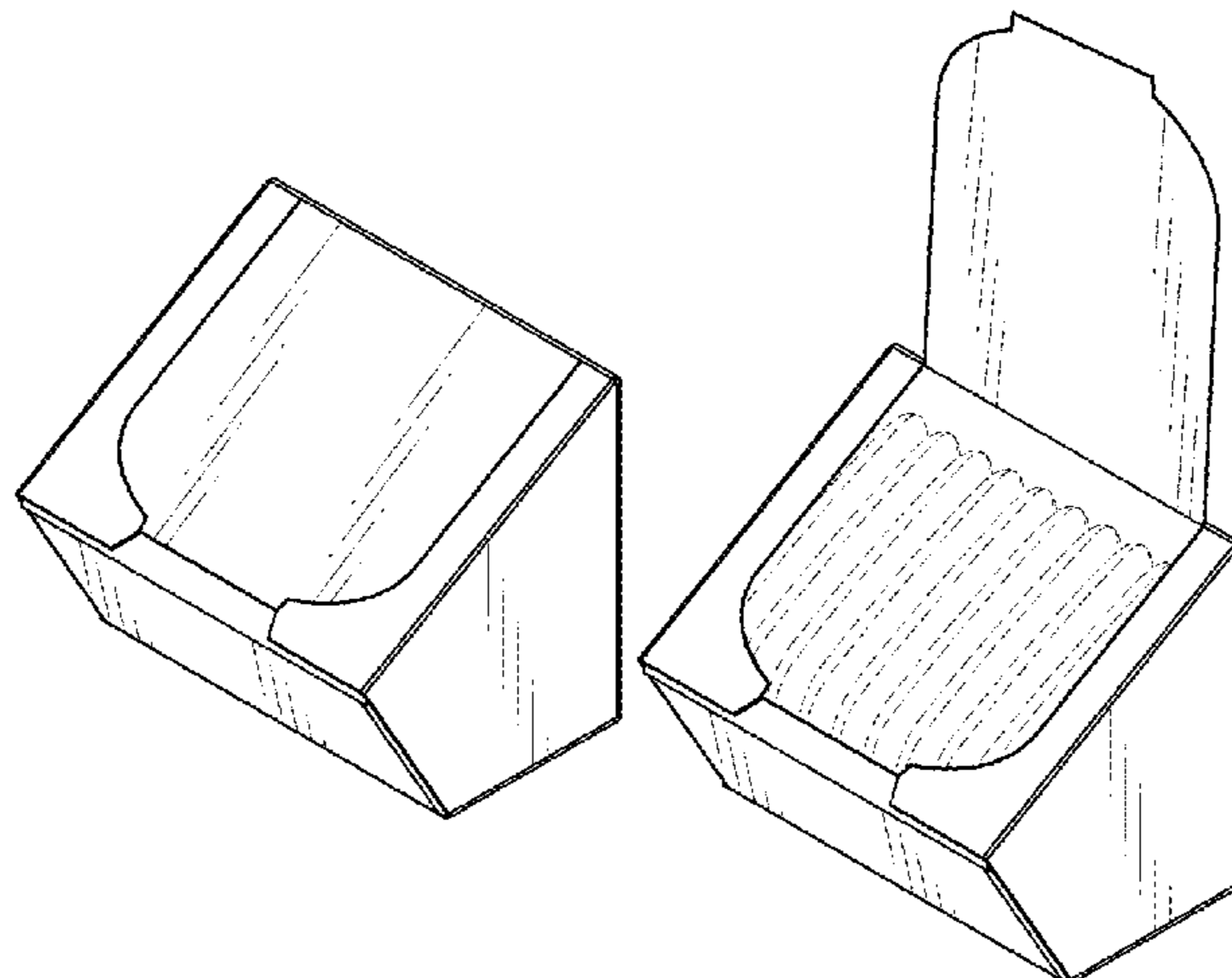


FIG. 18 is a back view of the third embodiment of the container of FIG. 15;
FIG. 19 is a right view of the third embodiment of the container of FIG. 15;
FIG. 20 is a top view of the third embodiment of the container of FIG. 15;
FIG. 21 is a bottom view of the third embodiment of the container of FIG. 15;
FIG. 22 is a top perspective view of a fourth embodiment of a container embodying our new design;
FIG. 23 is a front view of the fourth embodiment of the container of FIG. 22;
FIG. 24 is a left view of the fourth embodiment of the container of FIG. 22;
FIG. 25 is a back view of the fourth embodiment of the container of FIG. 22;
FIG. 26 is a right view of the fourth embodiment of the container of FIG. 22;
FIG. 27 is a top view of the fourth embodiment of the container of FIG. 22; and,
FIG. 28 is a bottom view of the fourth embodiment of the container of FIG. 22.

The broken lines in the drawings depict portions of the container that form no part of the claimed design.

1 Claim, 5 Drawing Sheets

(58) **Field of Classification Search**

CPC ... B65D 5/00; B65D 5/02; B65D 5/18; B65D 5/20

See application file for complete search history.

(56) **References Cited**

U.S. PATENT DOCUMENTS

D573,458	S	*	7/2008	Anderson	D9/418
D663,198	S	*	7/2012	White	D9/430
D675,514	S	*	2/2013	Baker	D9/416
D693,215	S	*	11/2013	Sill	D9/418
D783,395	S	*	4/2017	Wang	D9/418
D791,589	S	*	7/2017	Remash	D9/432
D821,195	S	*	6/2018	Kioroglou	D9/430
2007/0262086	A1	*	11/2007	Cook	B65D 5/001 221/305

* cited by examiner

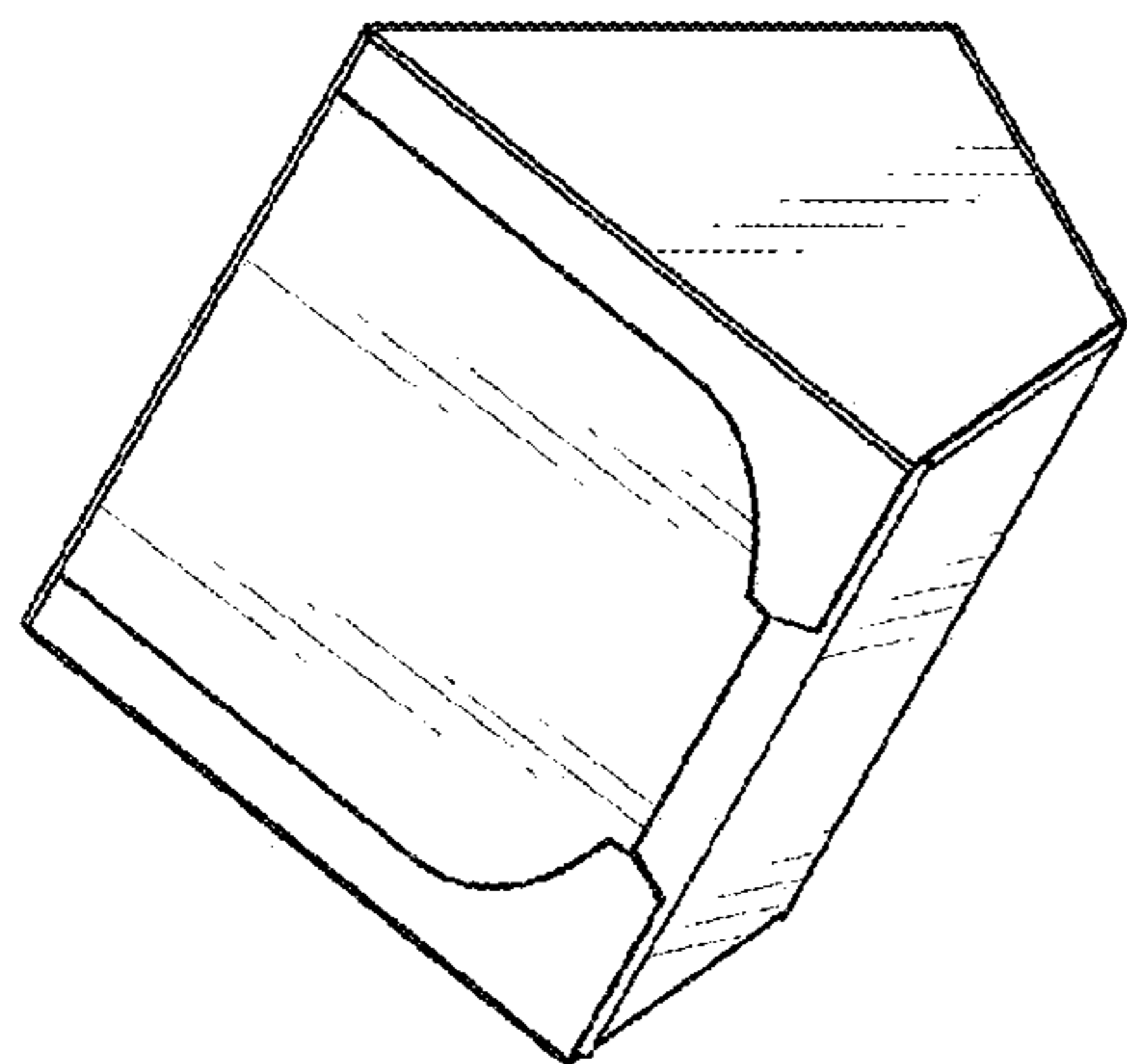


Fig. 1

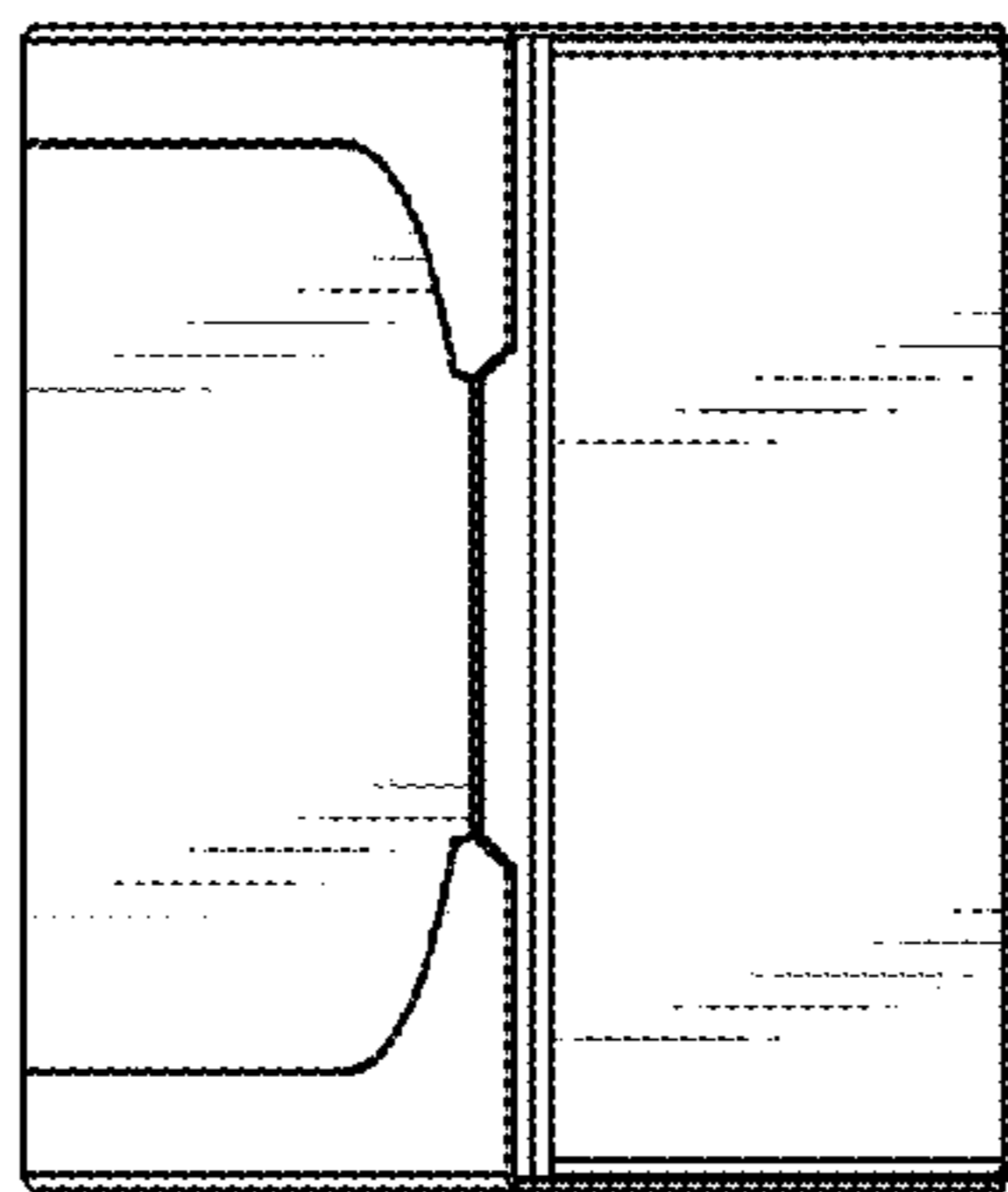


Fig. 2

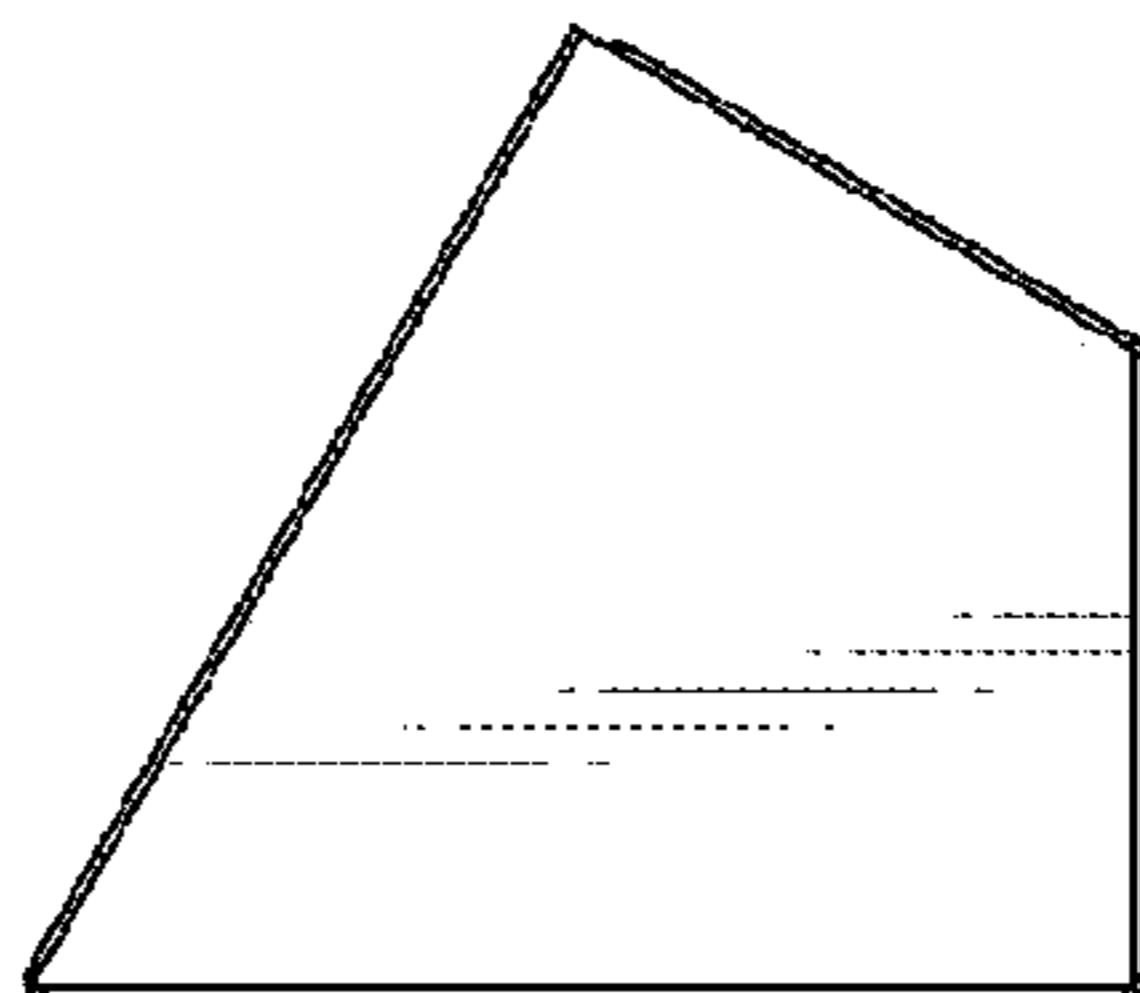


Fig. 3

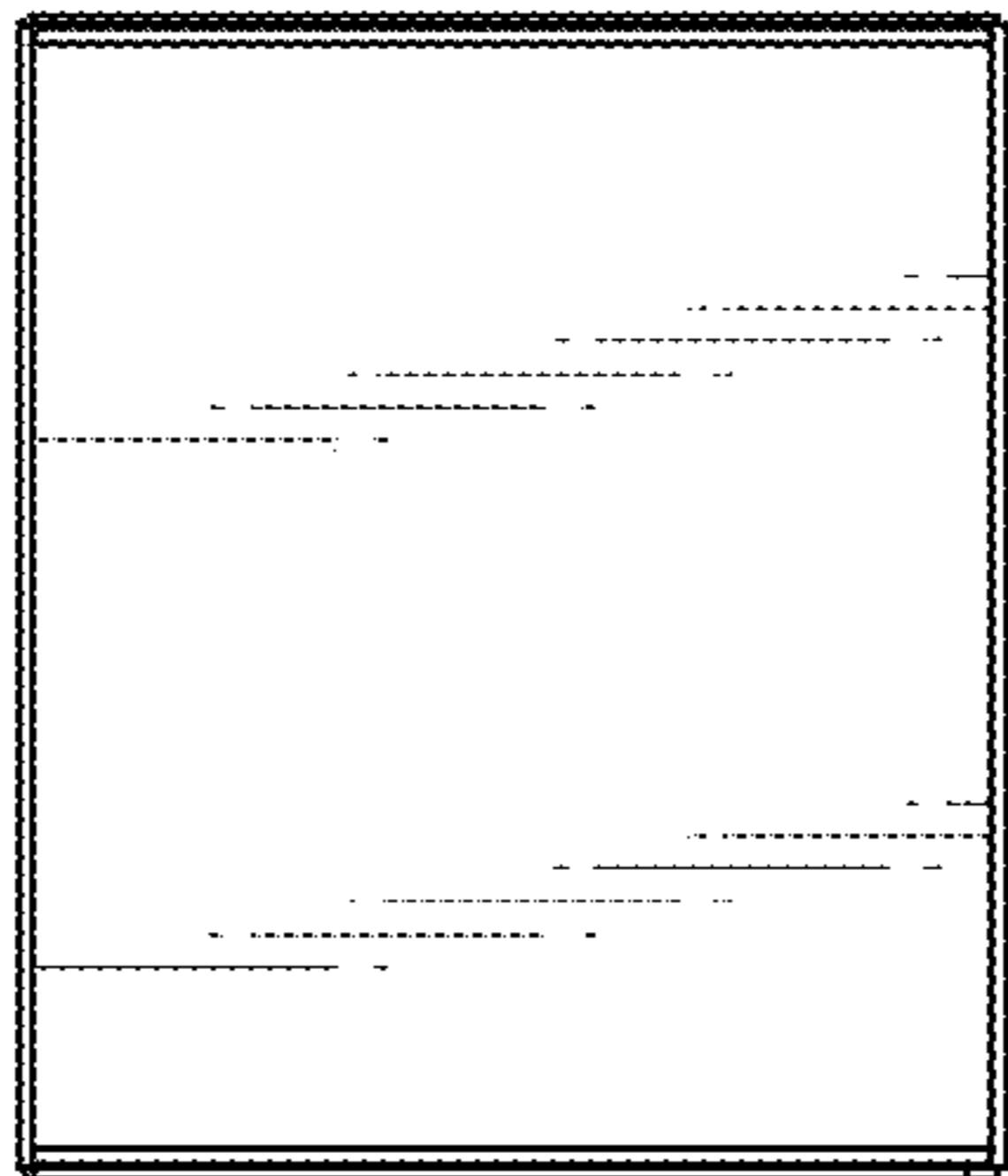


Fig. 4

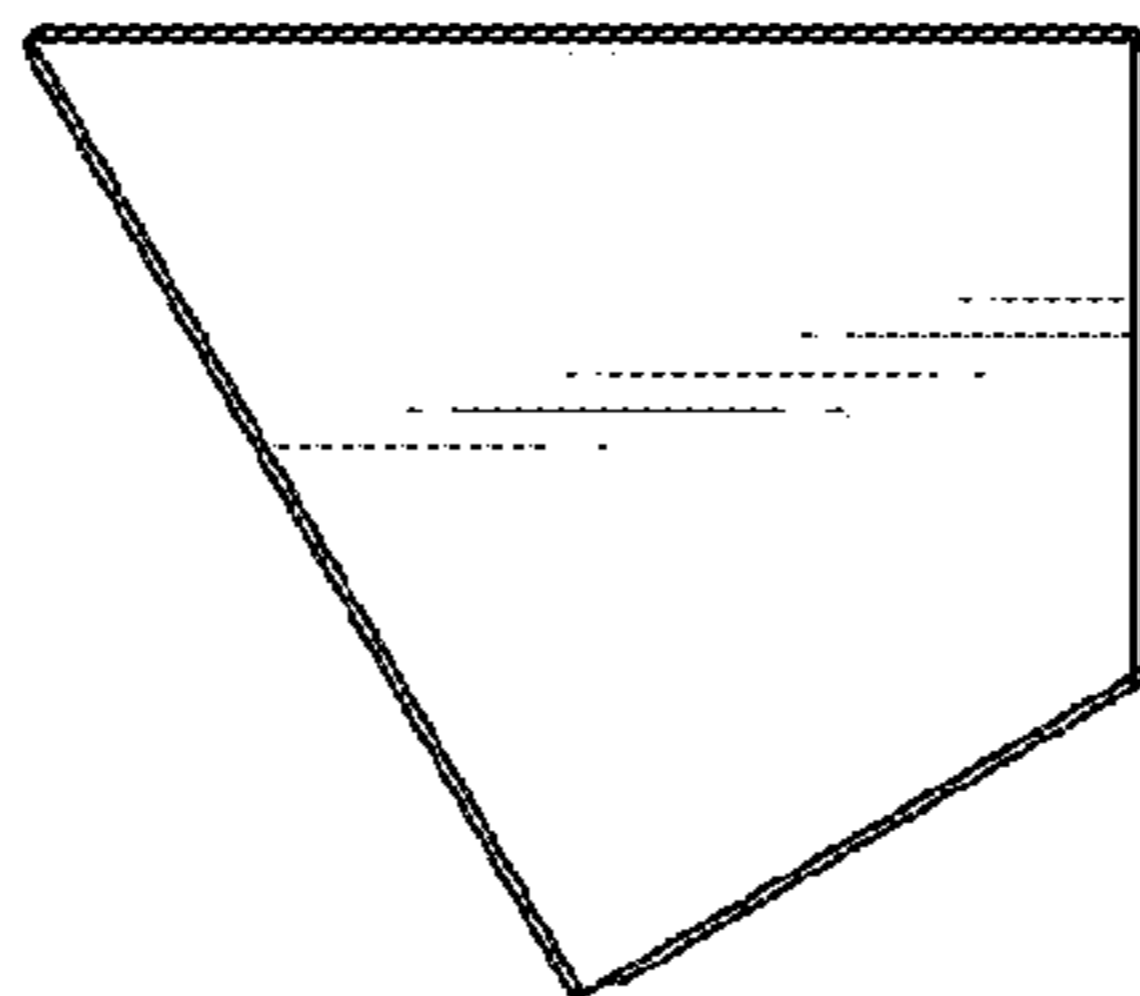


Fig. 5

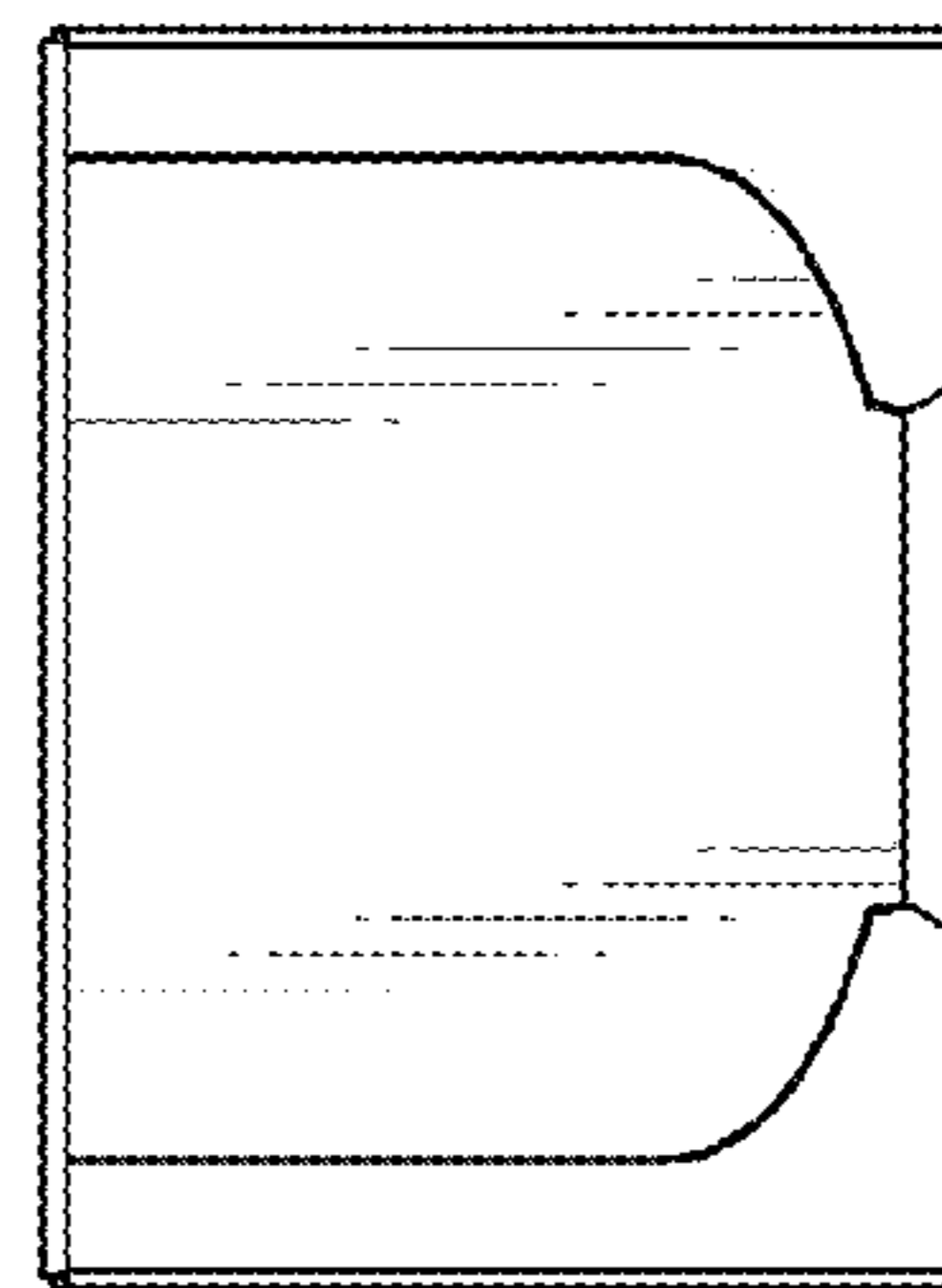


Fig. 6

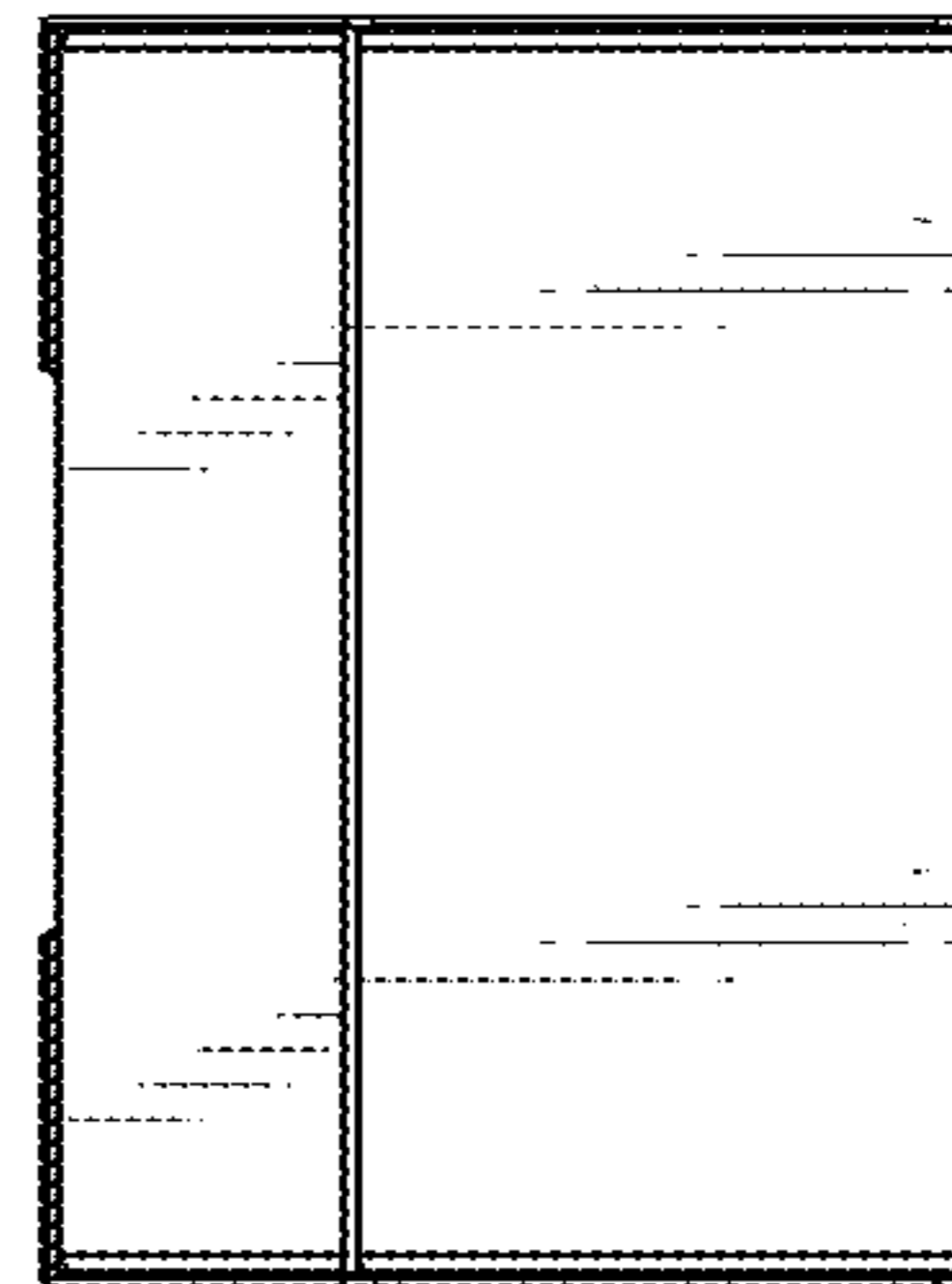


Fig. 7

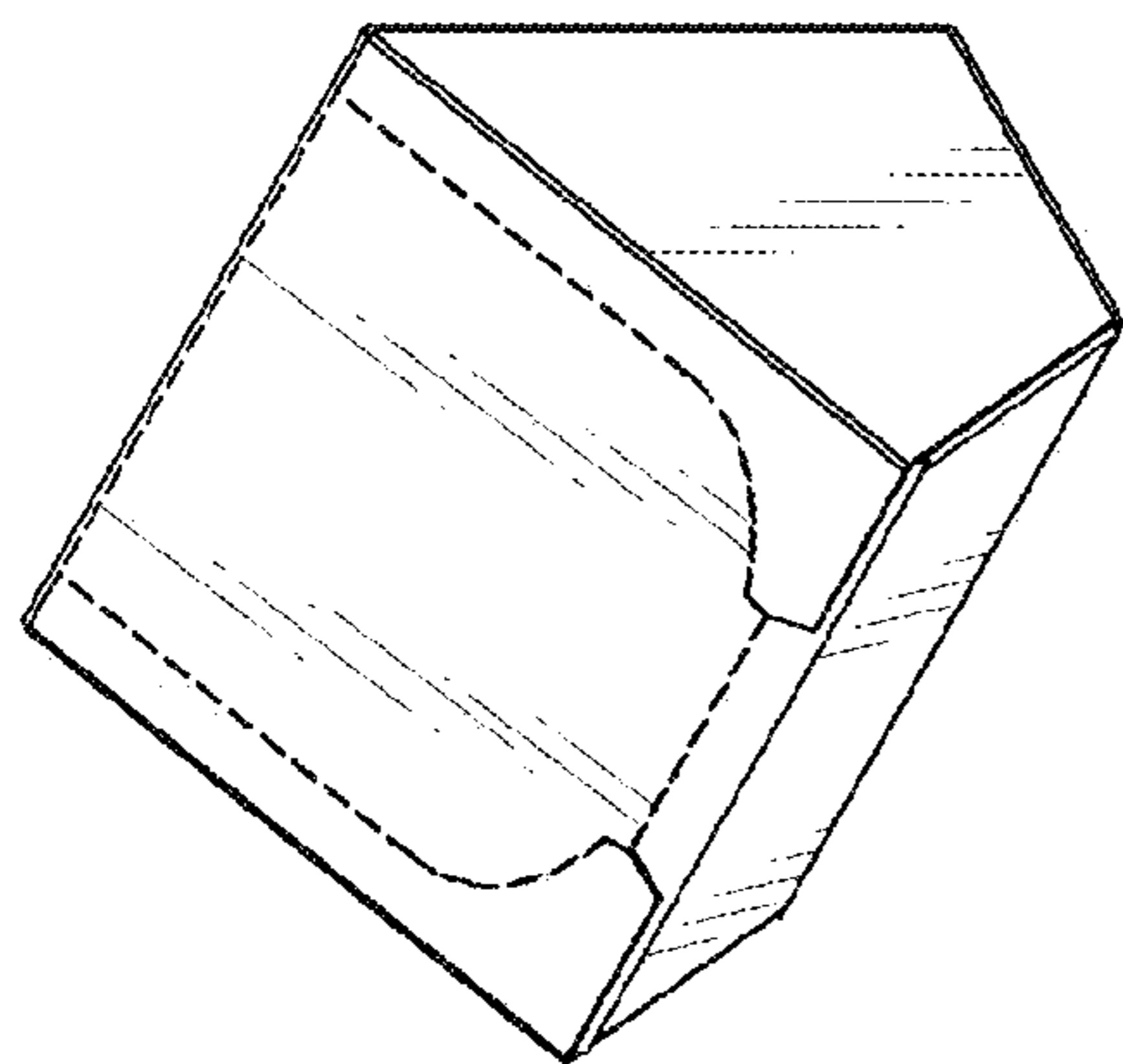


Fig. 8

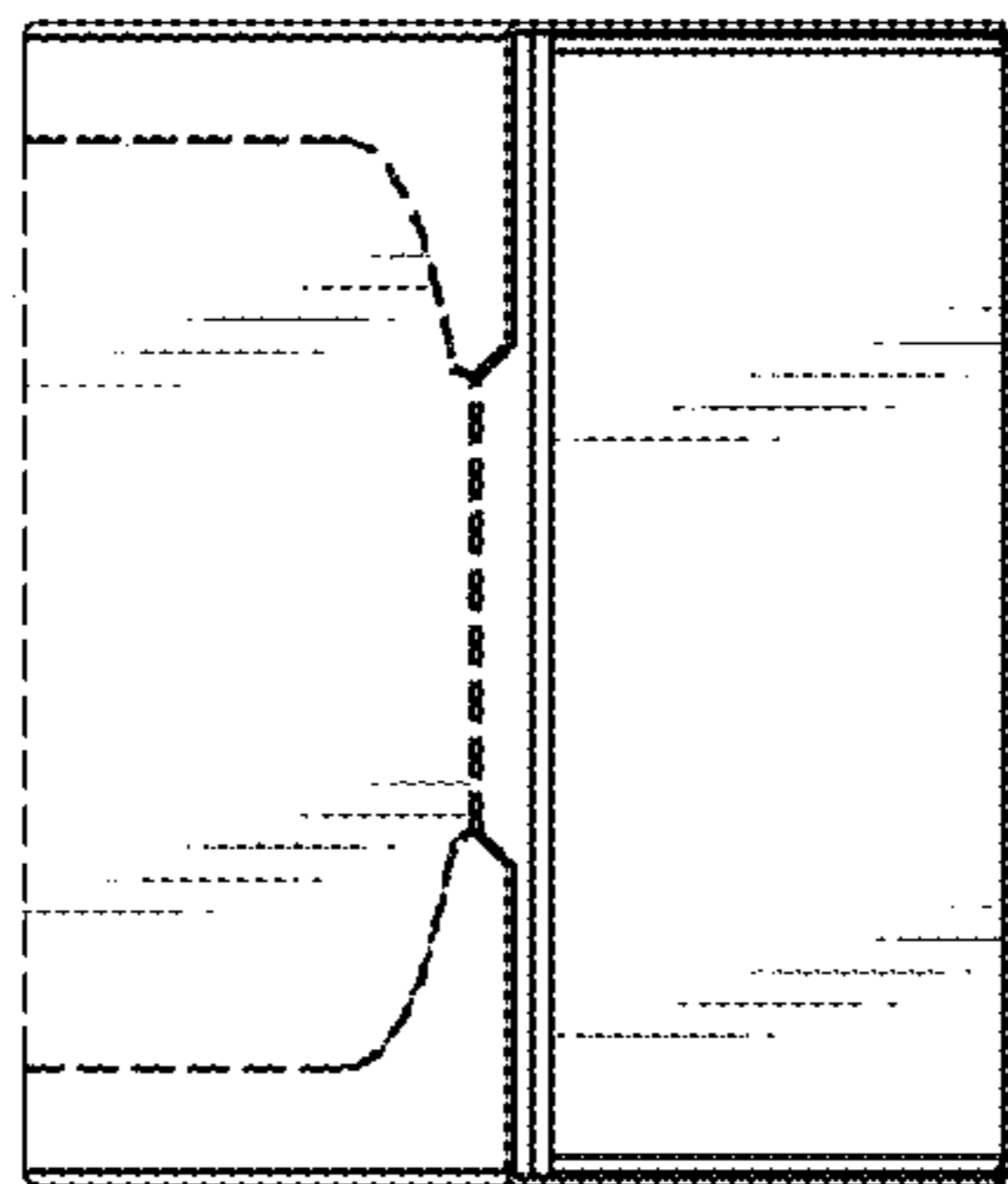


Fig. 9

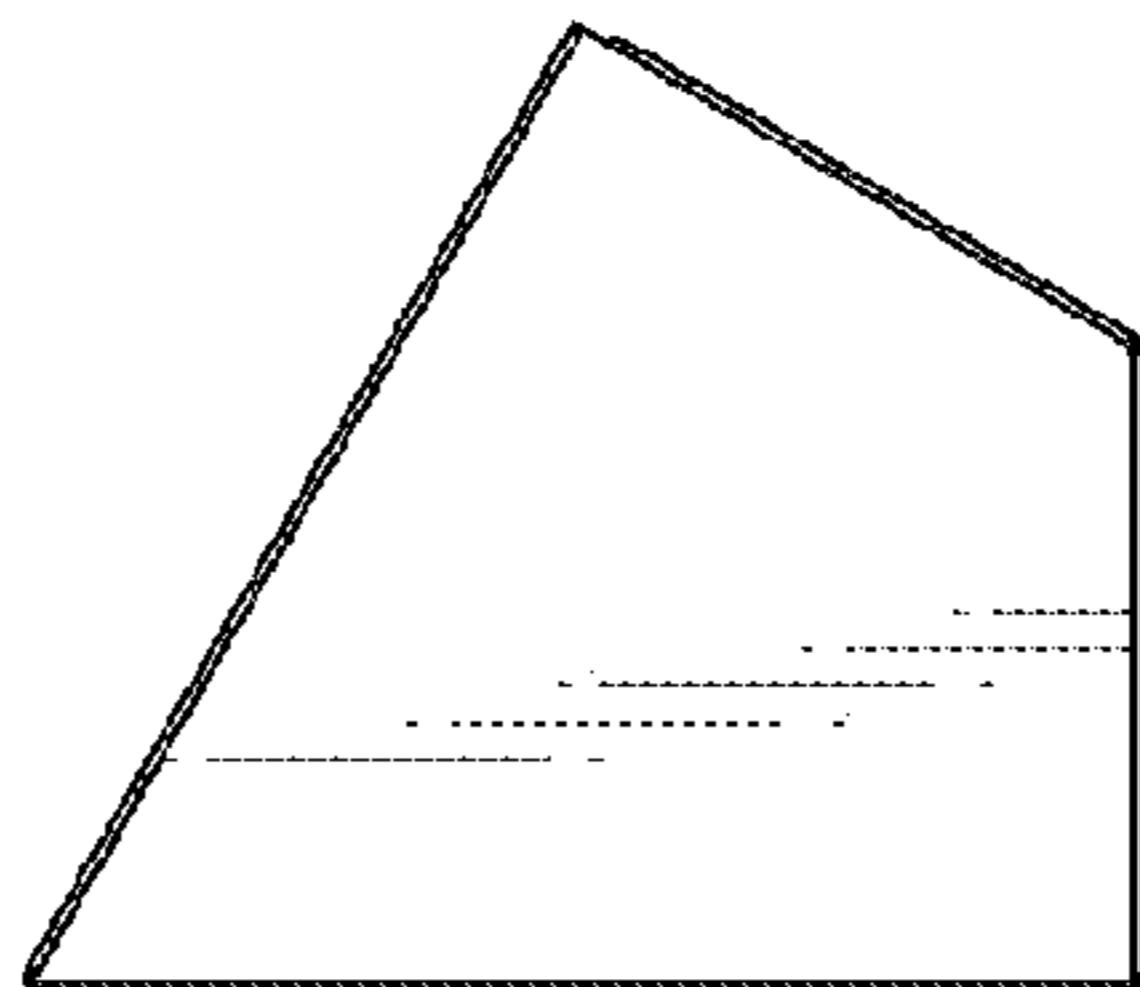


Fig. 10

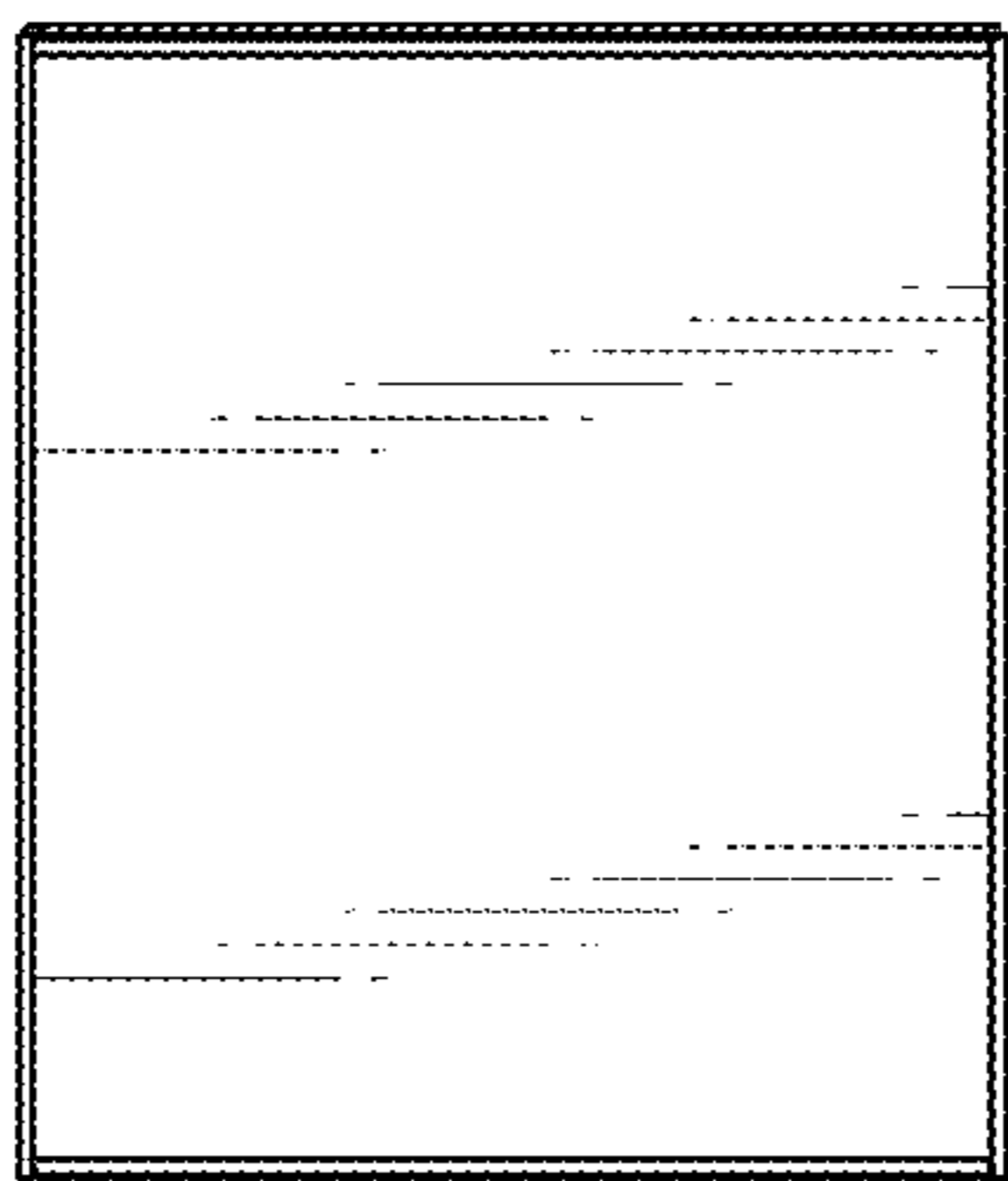


Fig. 11

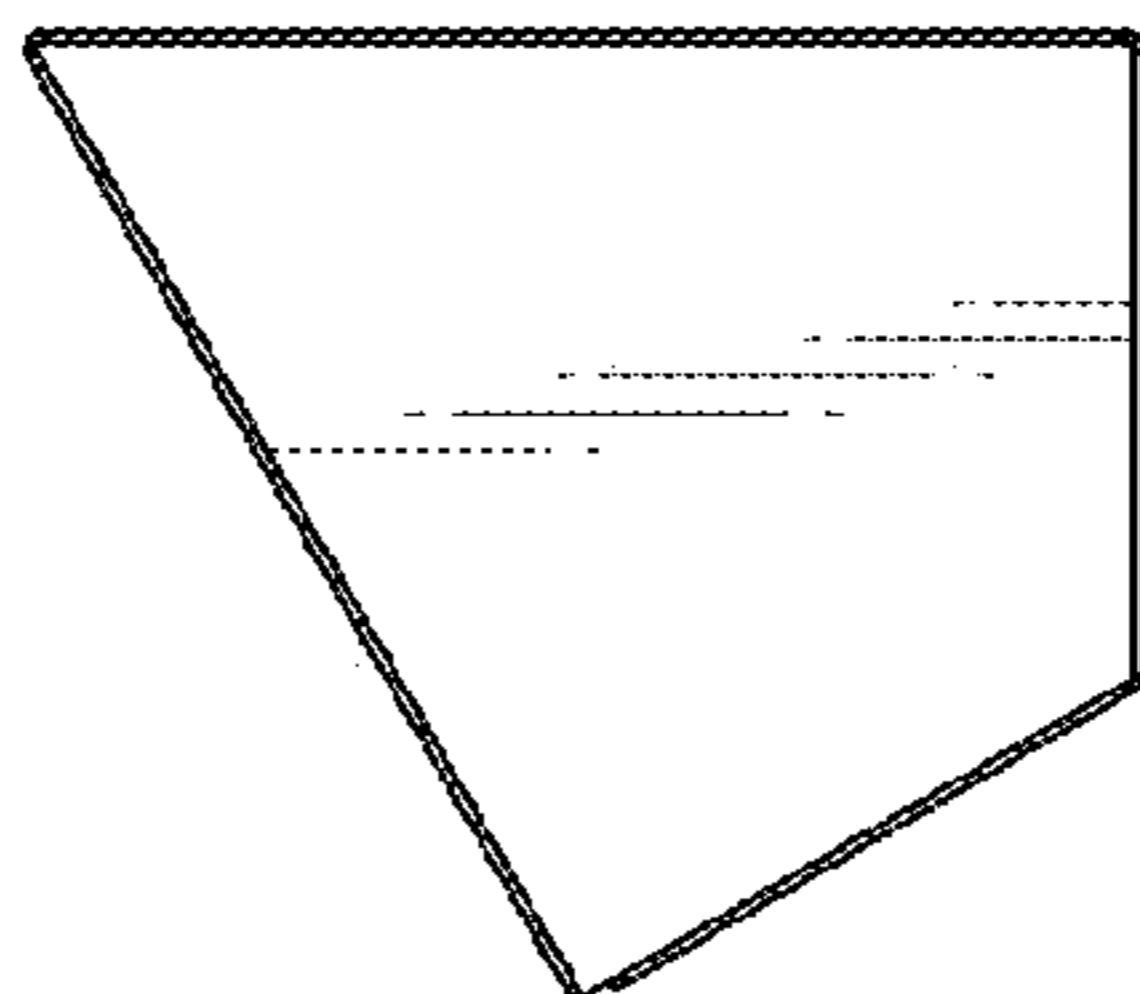


Fig. 12

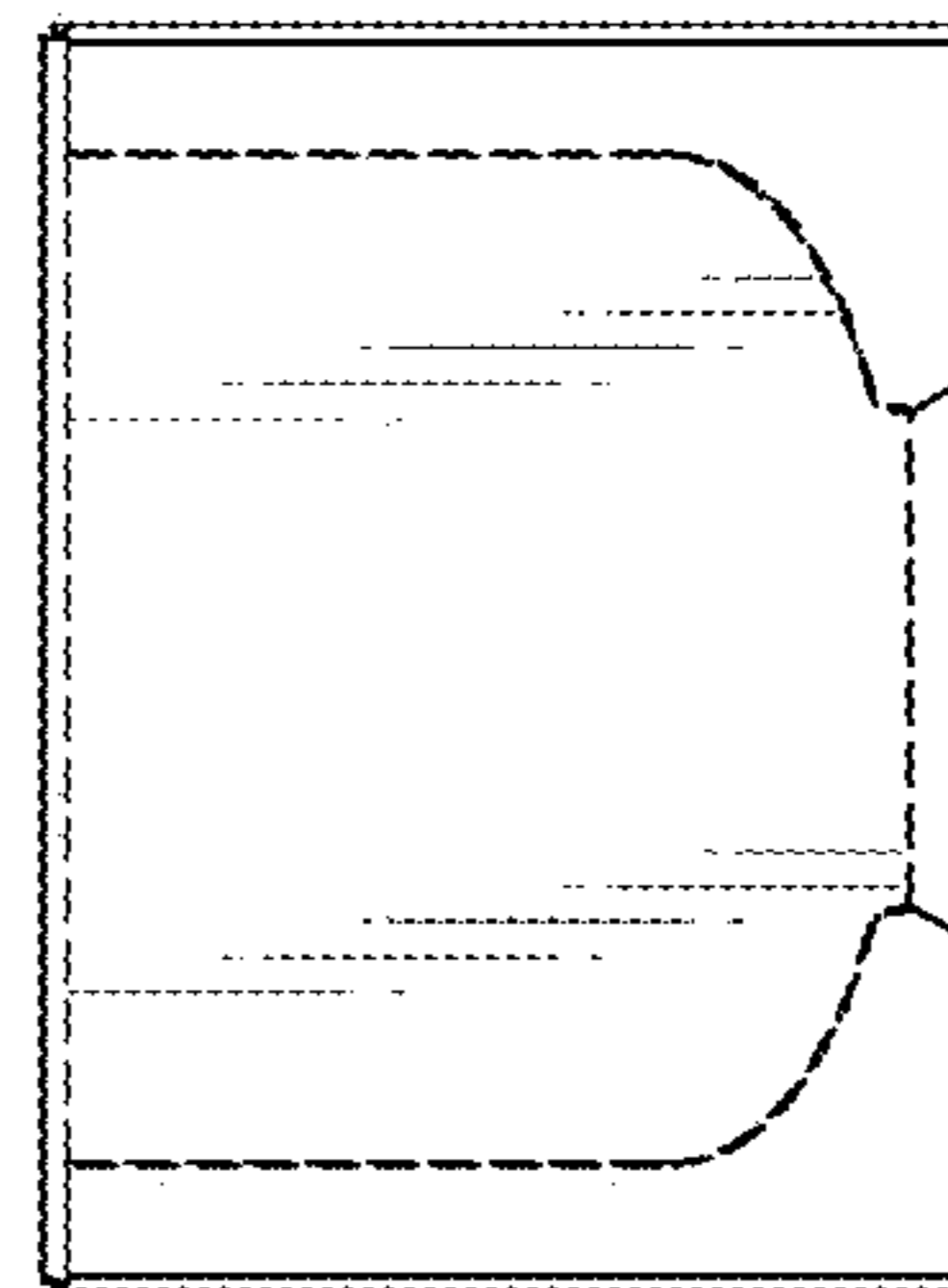


Fig. 13

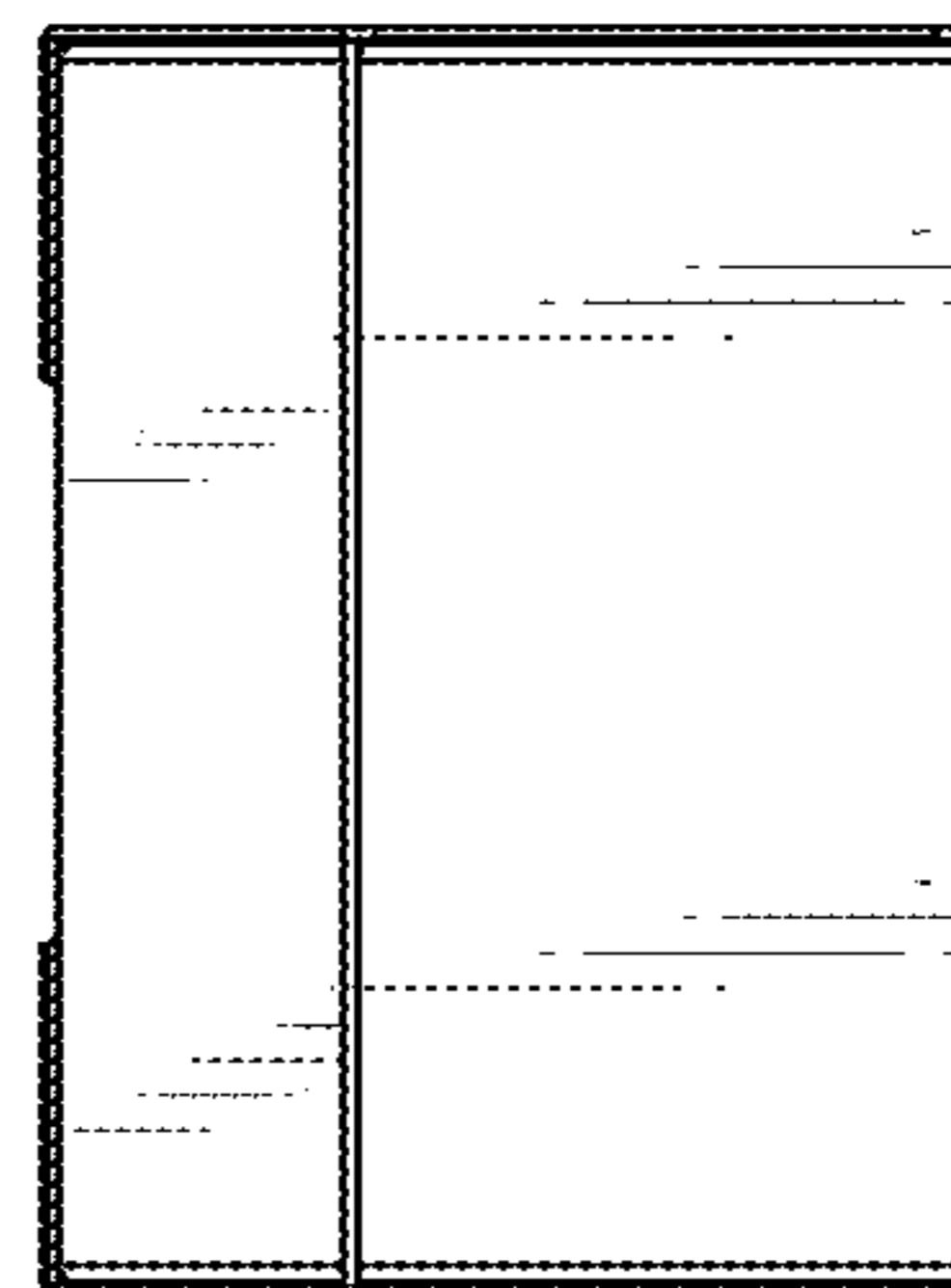


Fig. 14

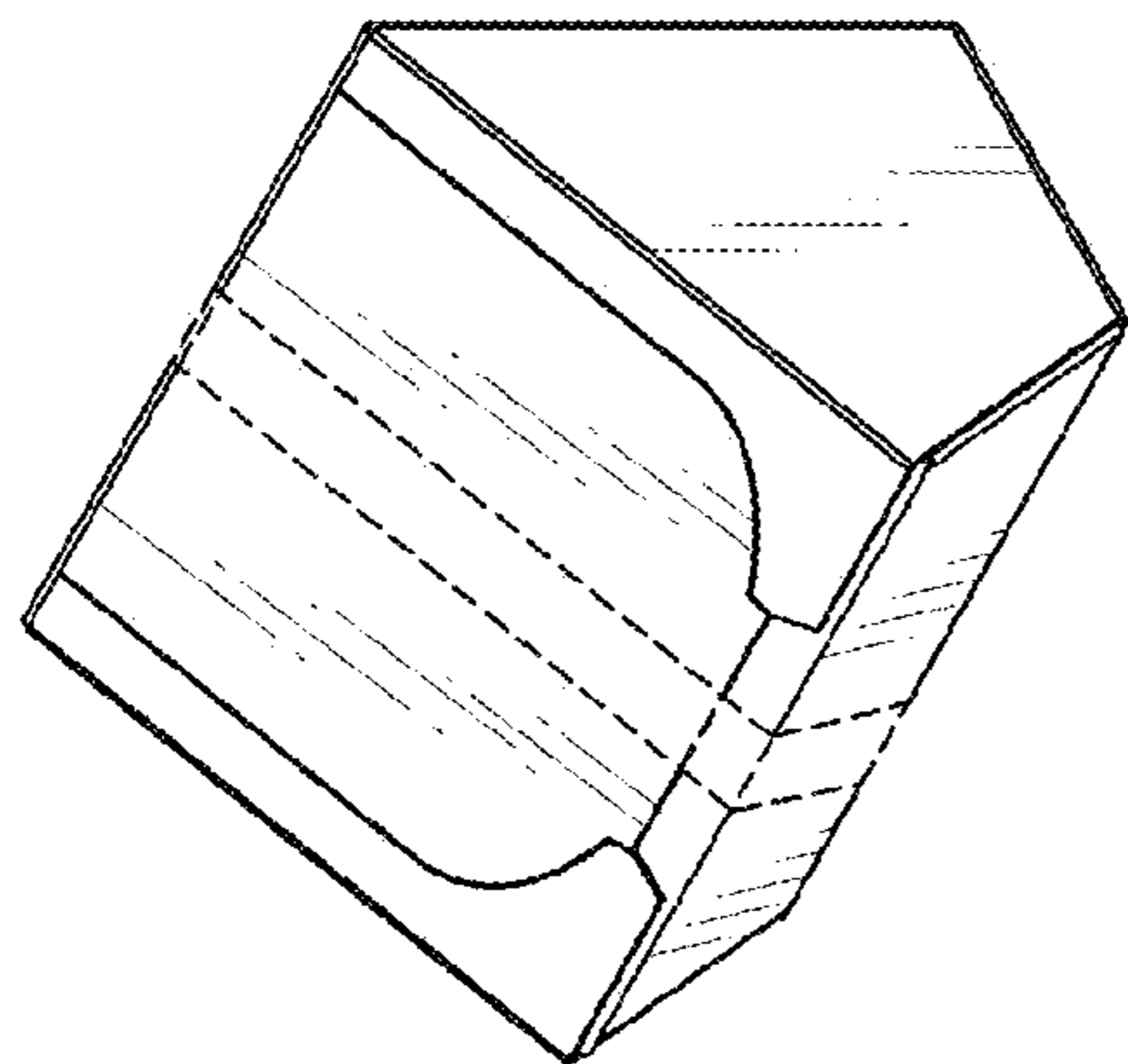


Fig. 15

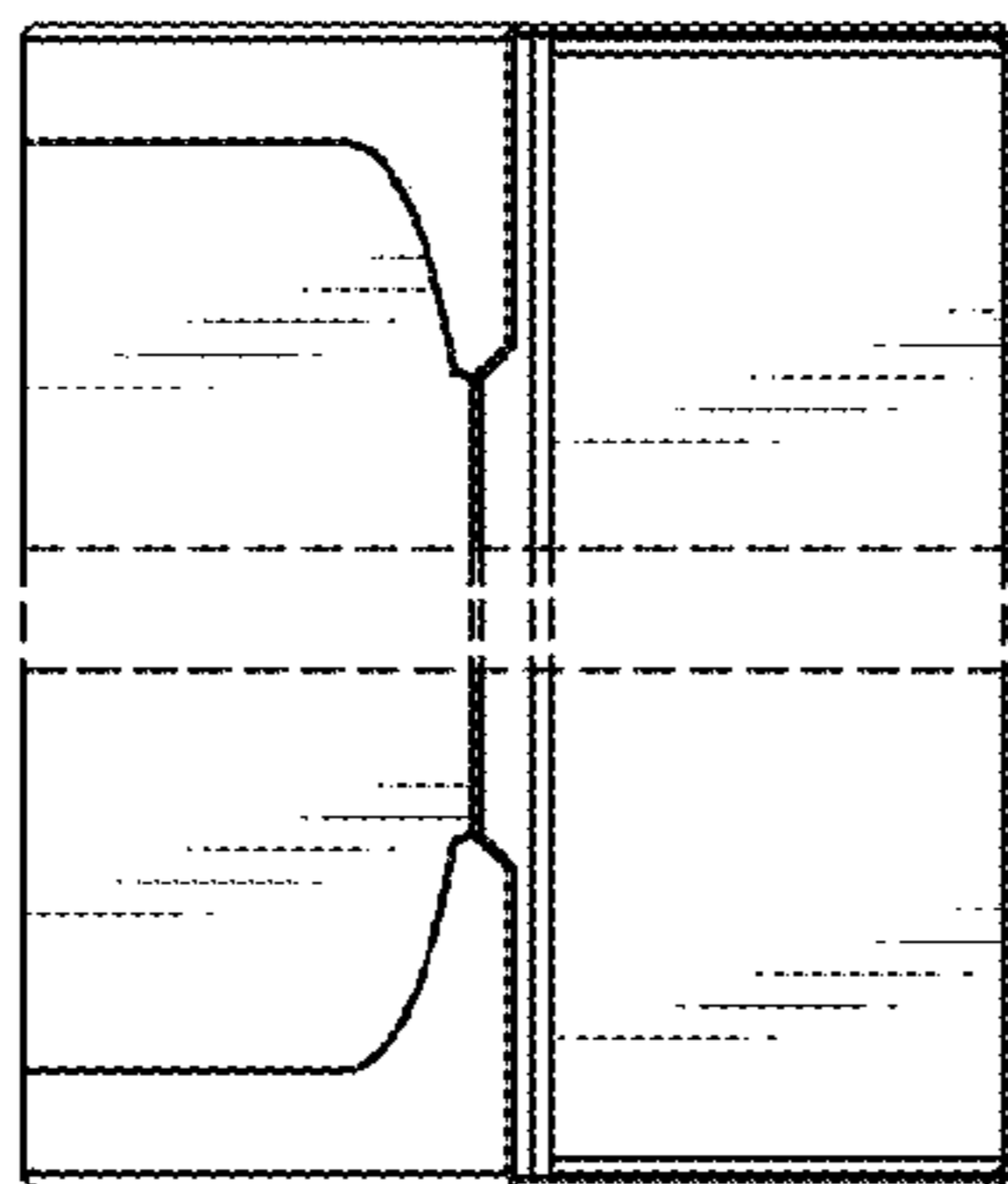


Fig. 16

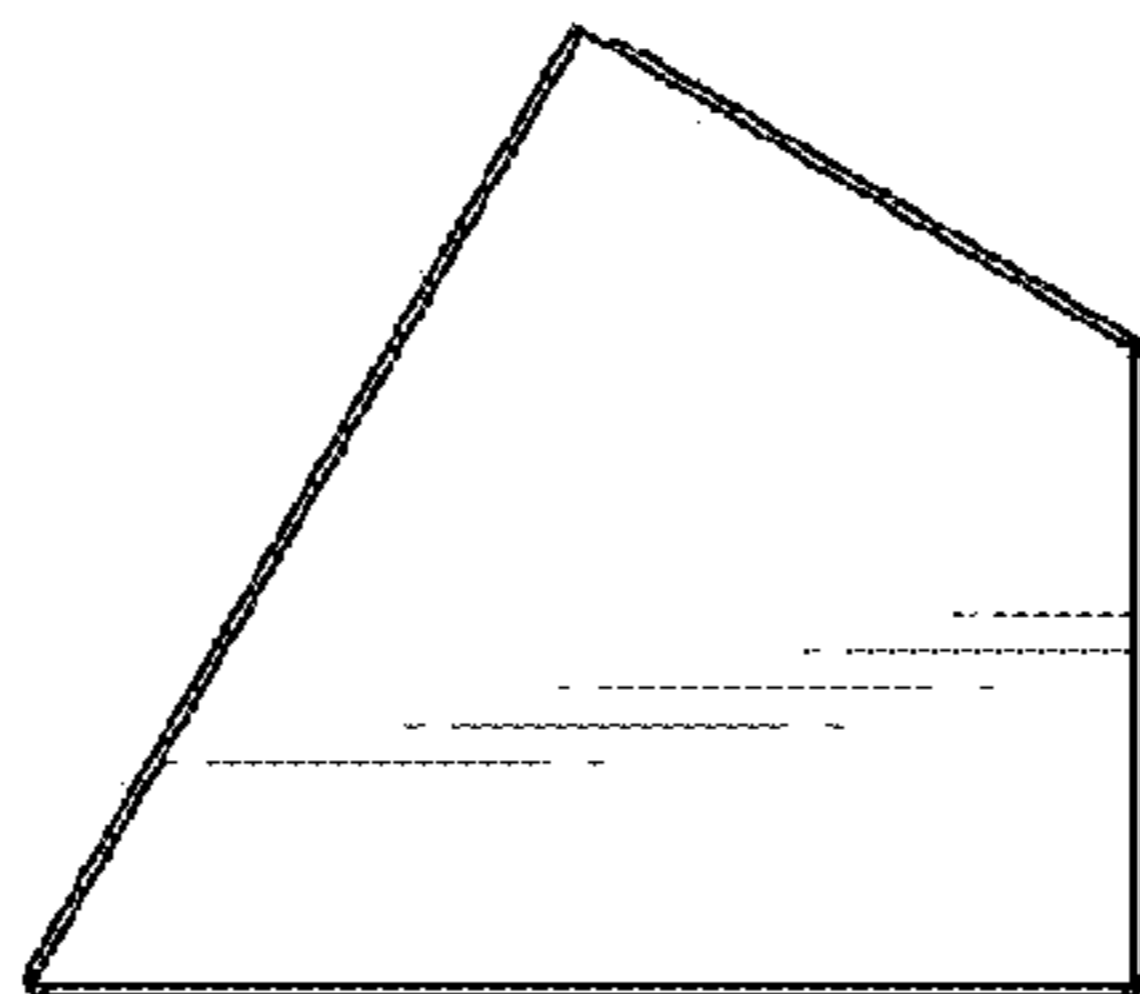


Fig. 17

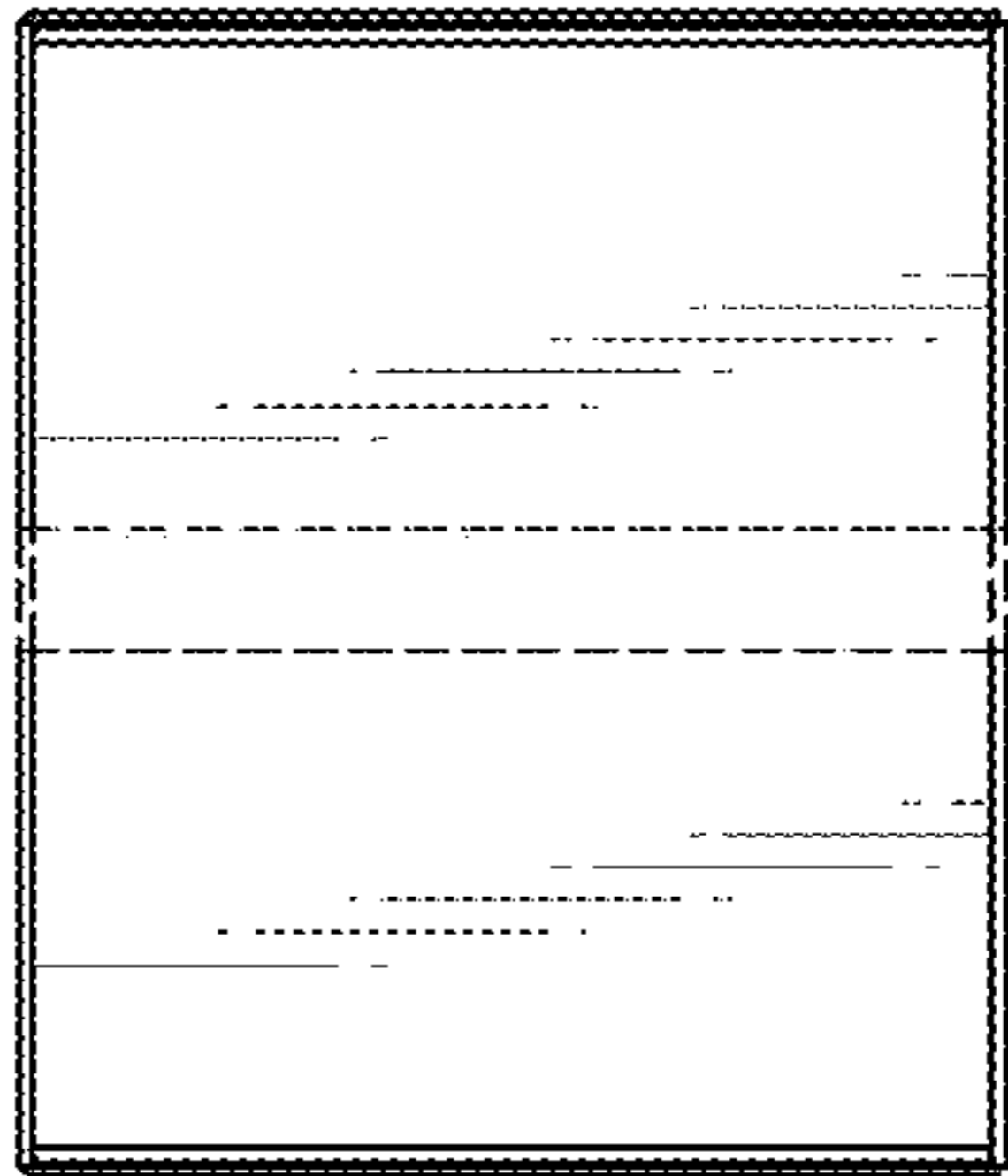


Fig. 18

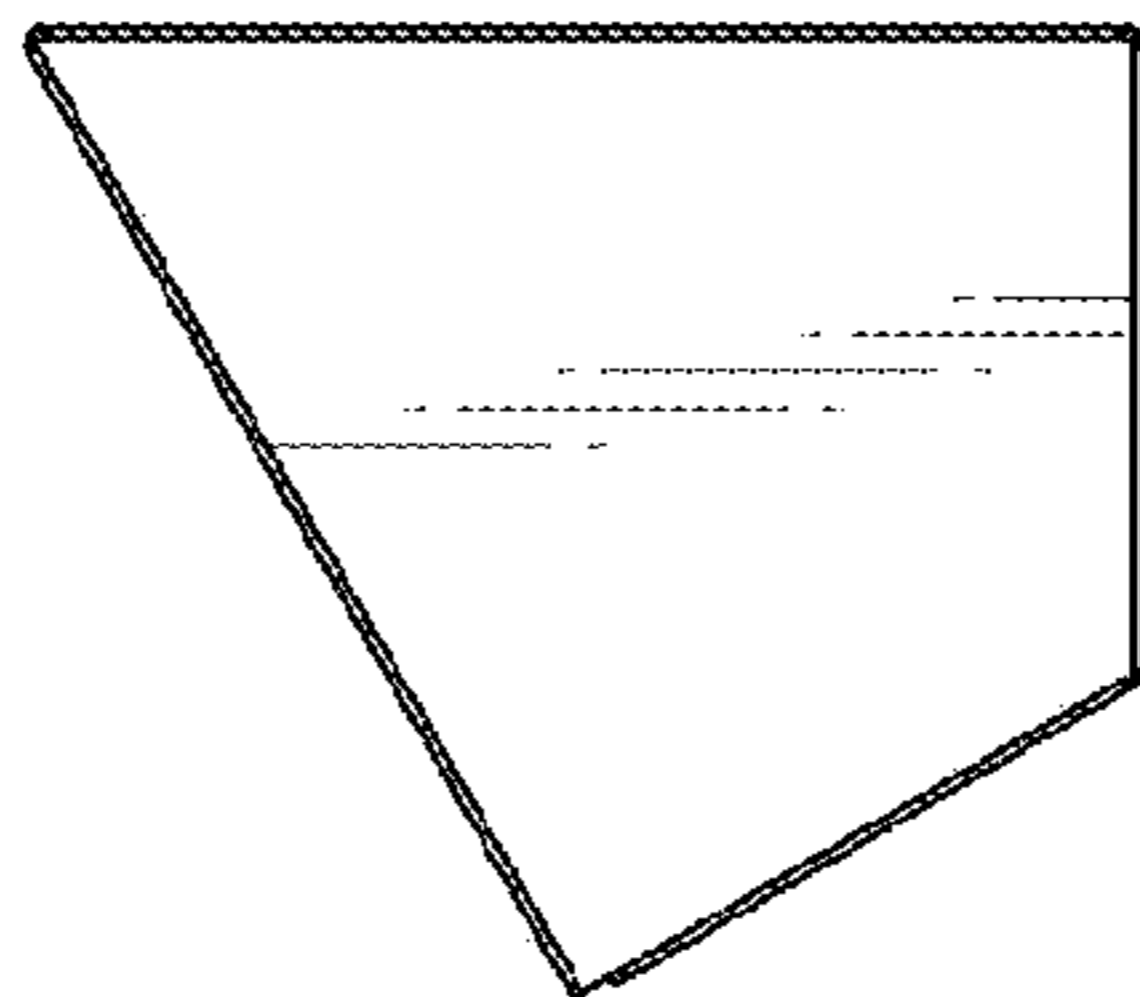


Fig. 19

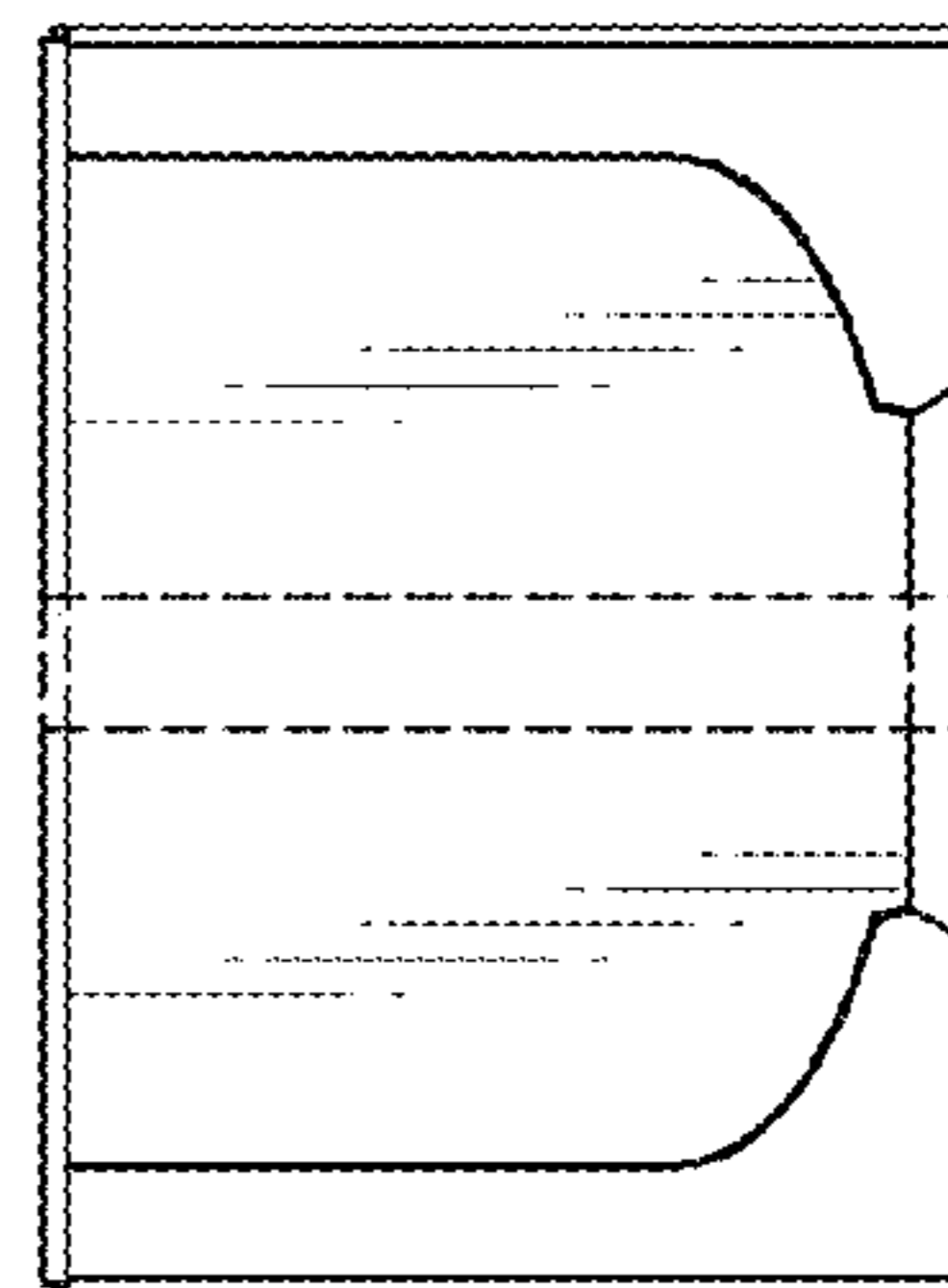


Fig. 20

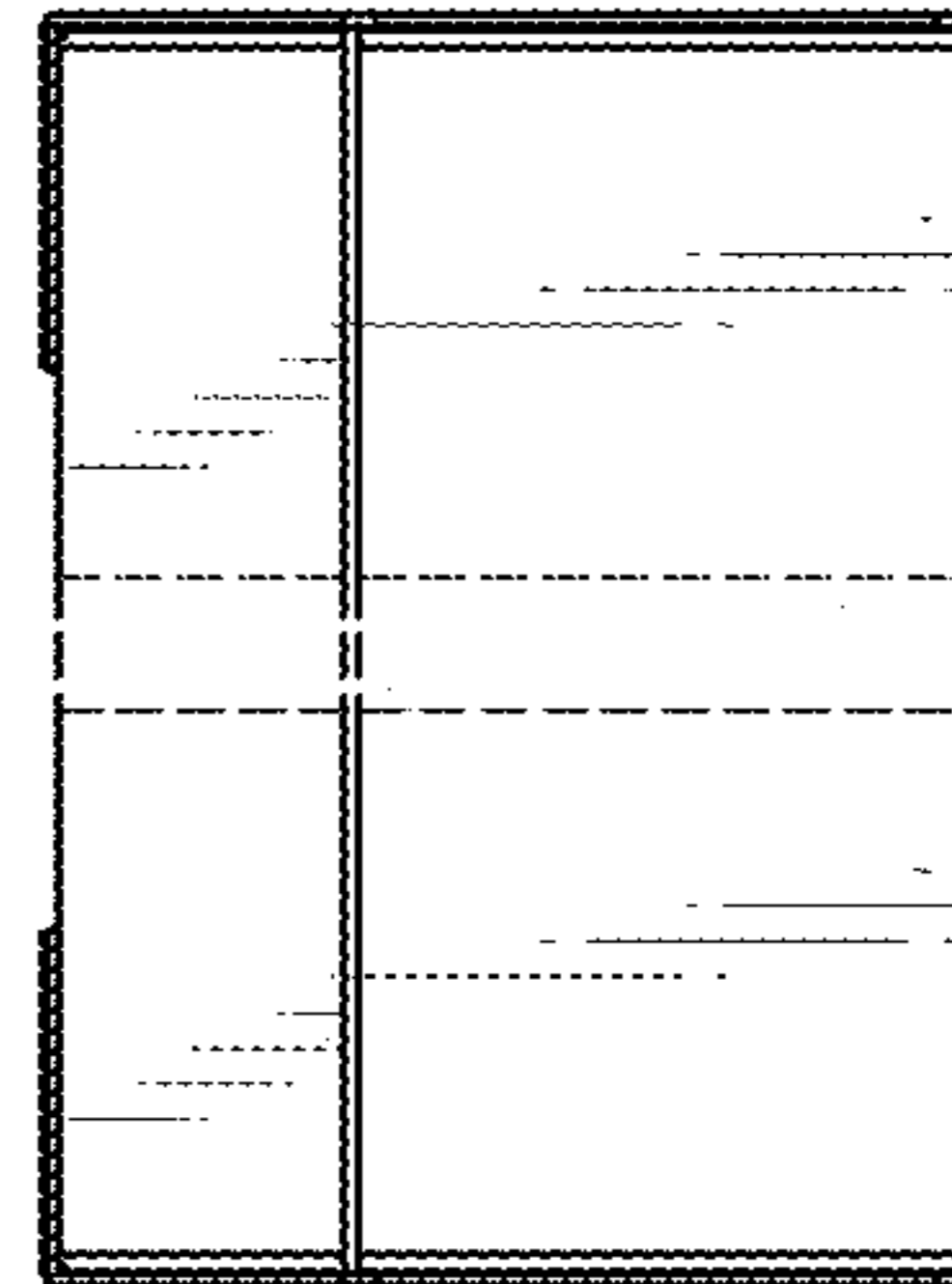
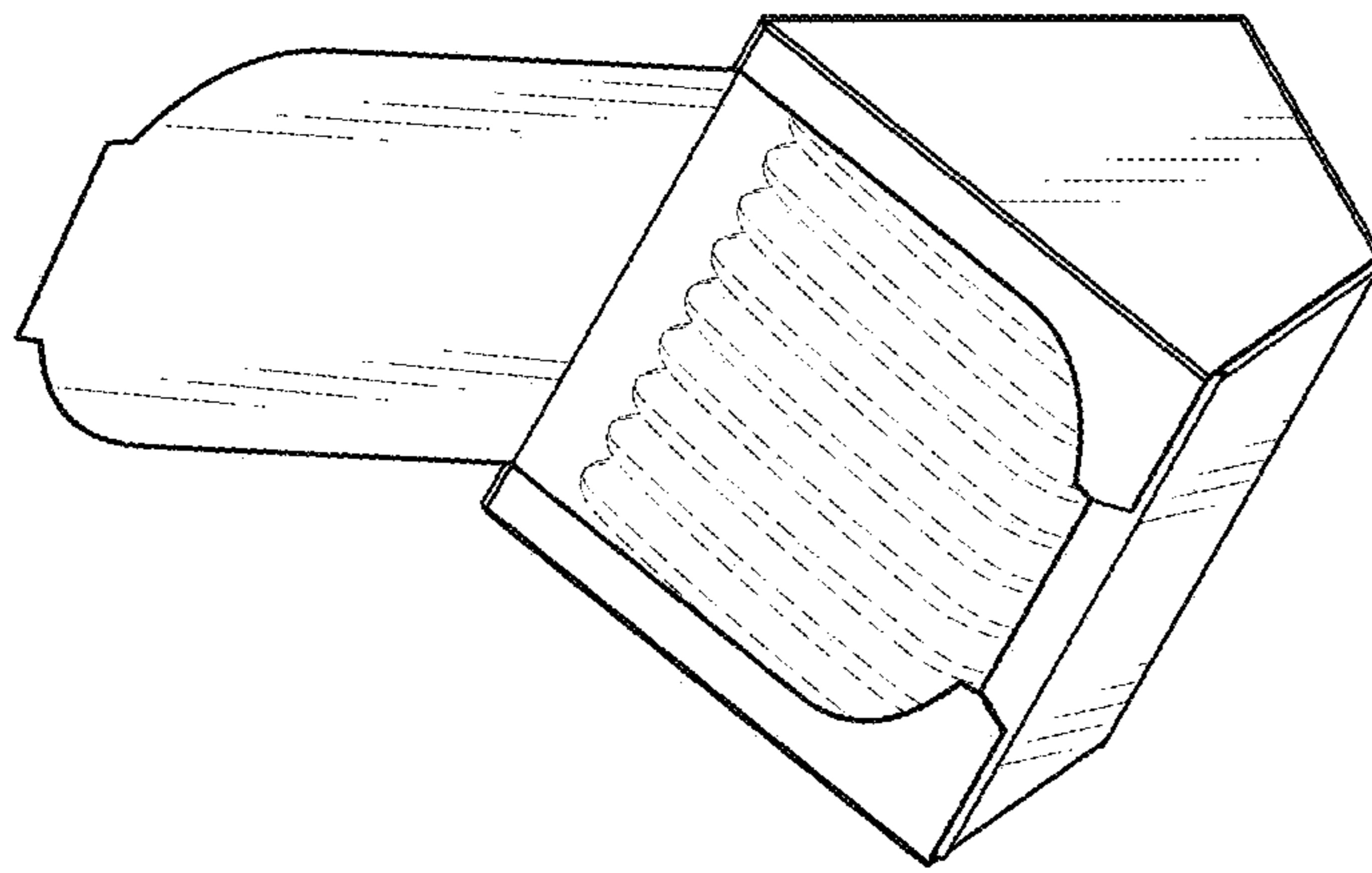


Fig. 21

Fig. 22



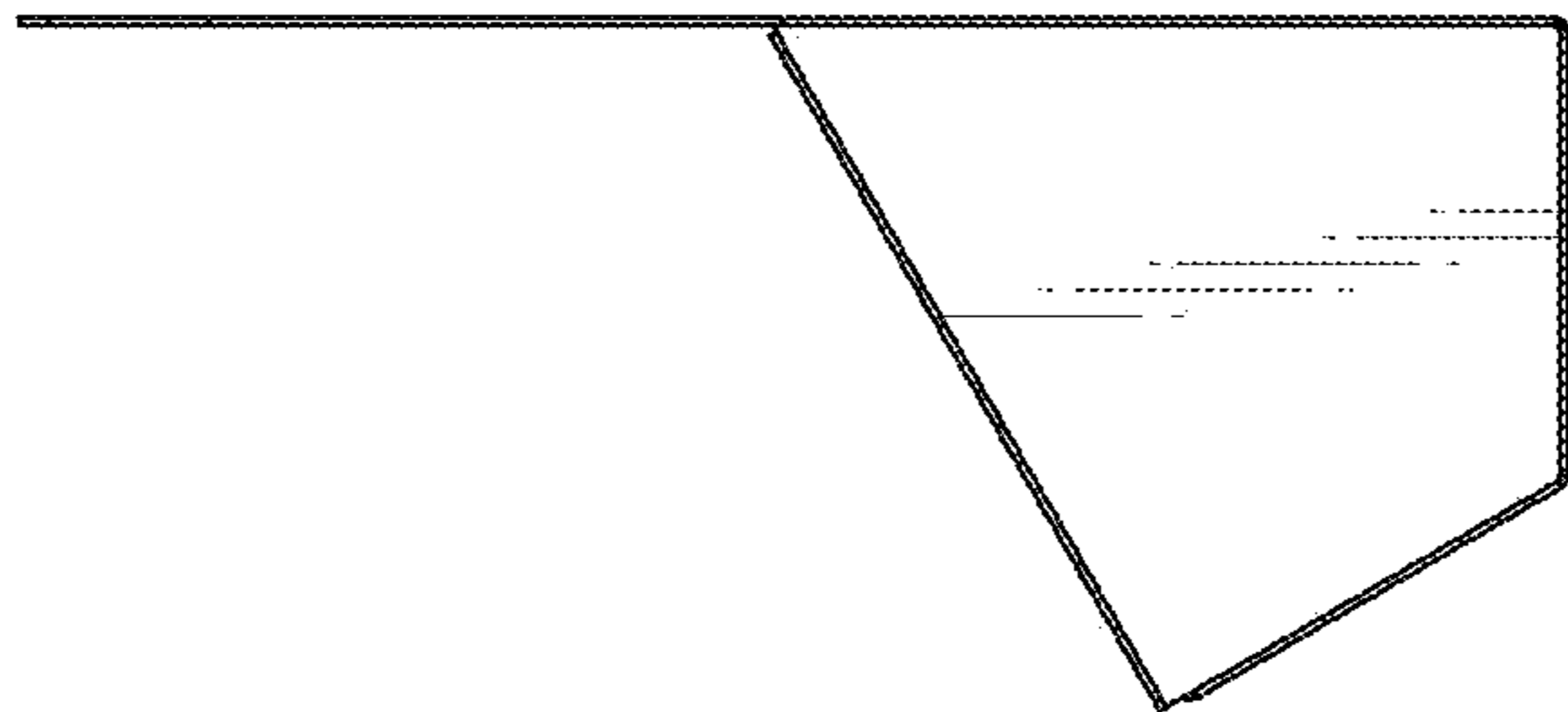


Fig. 24

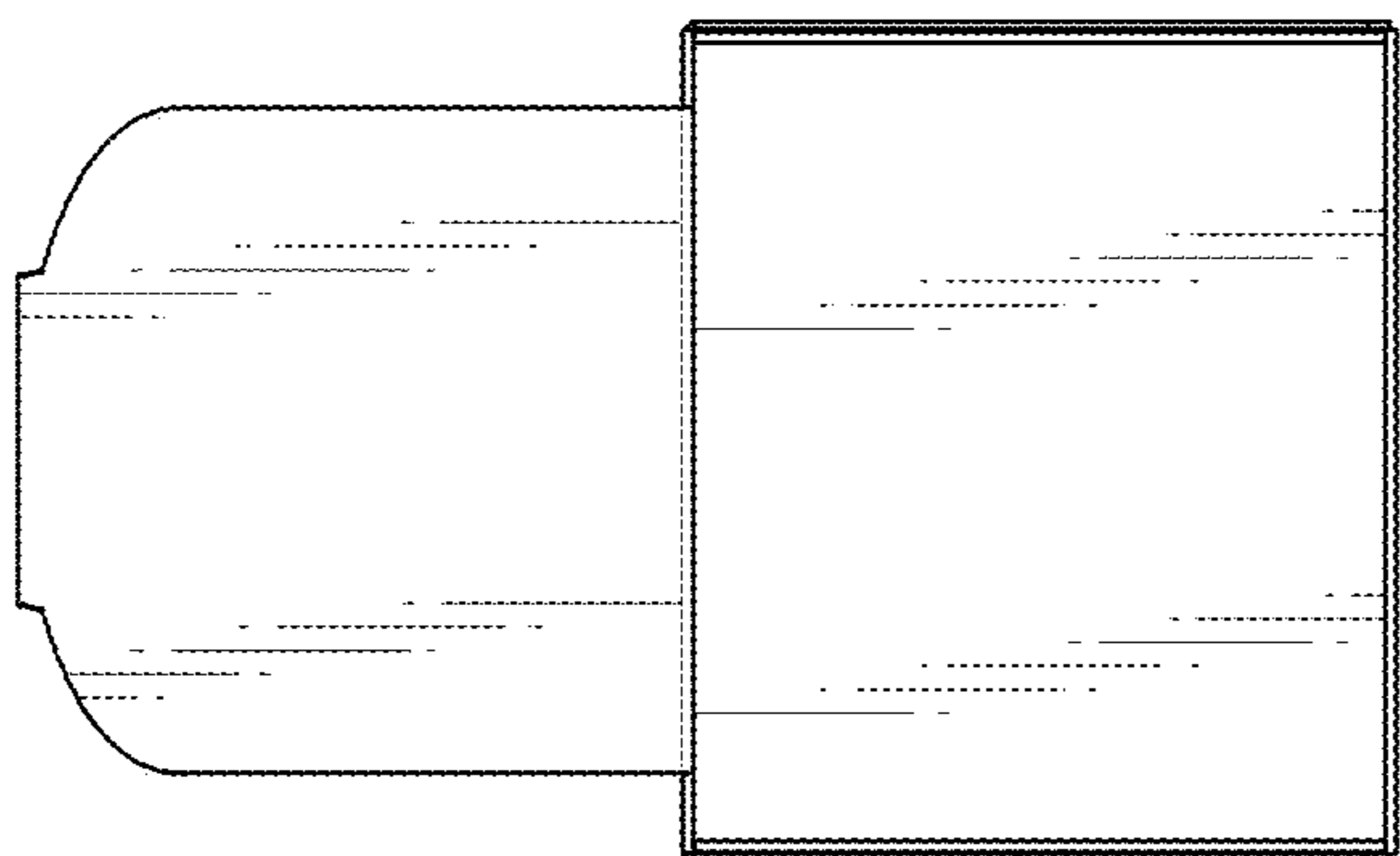


Fig. 25

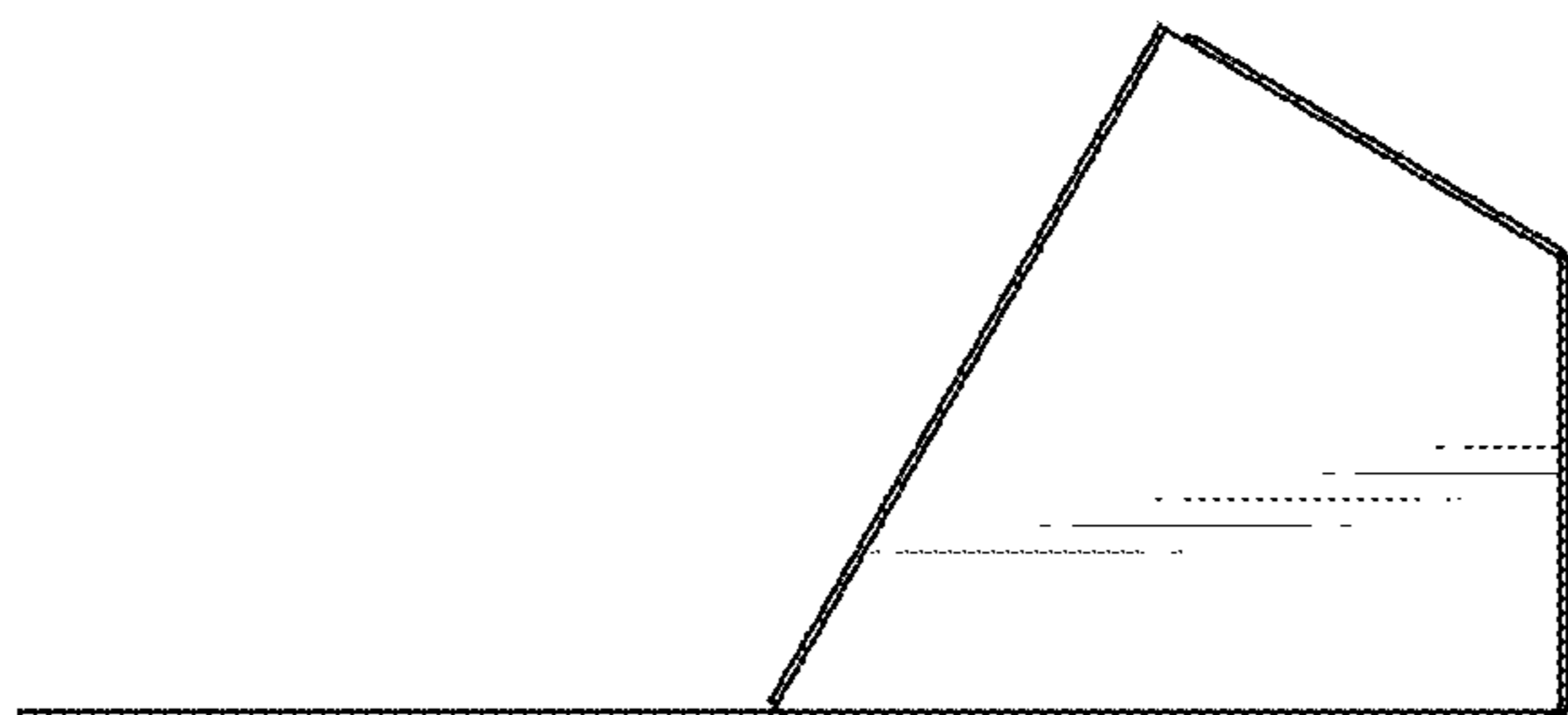


Fig. 26

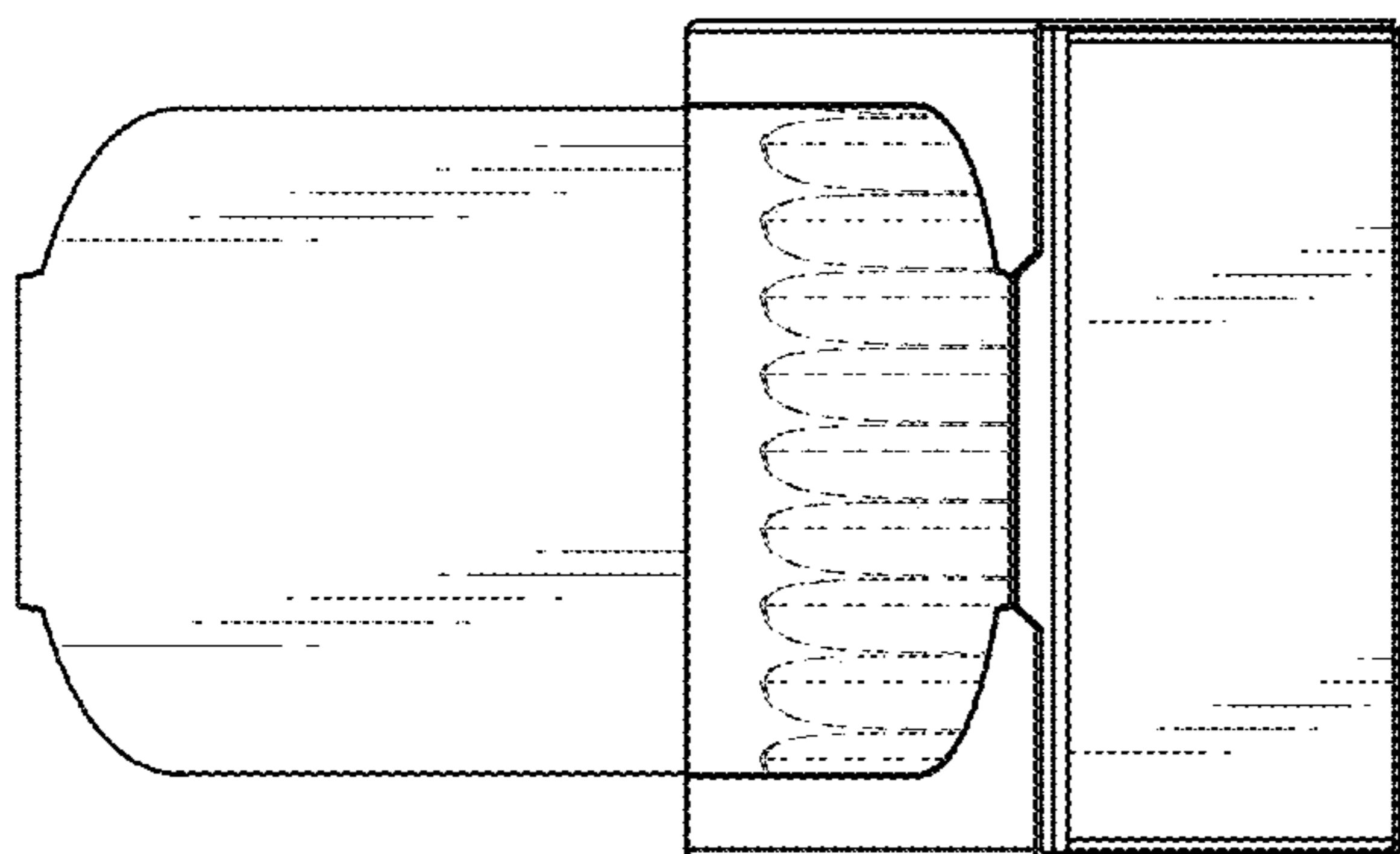


Fig. 27

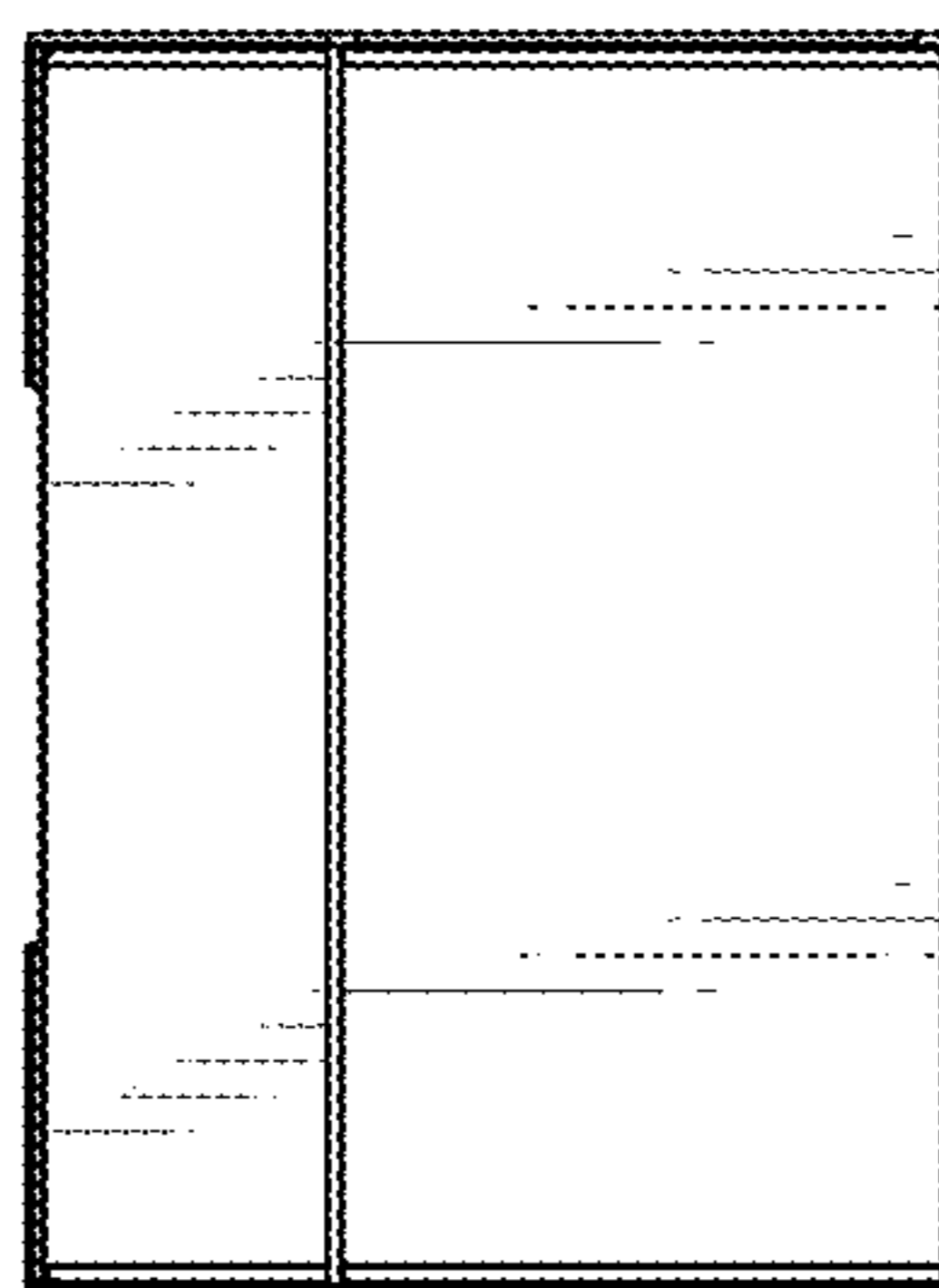


Fig. 28

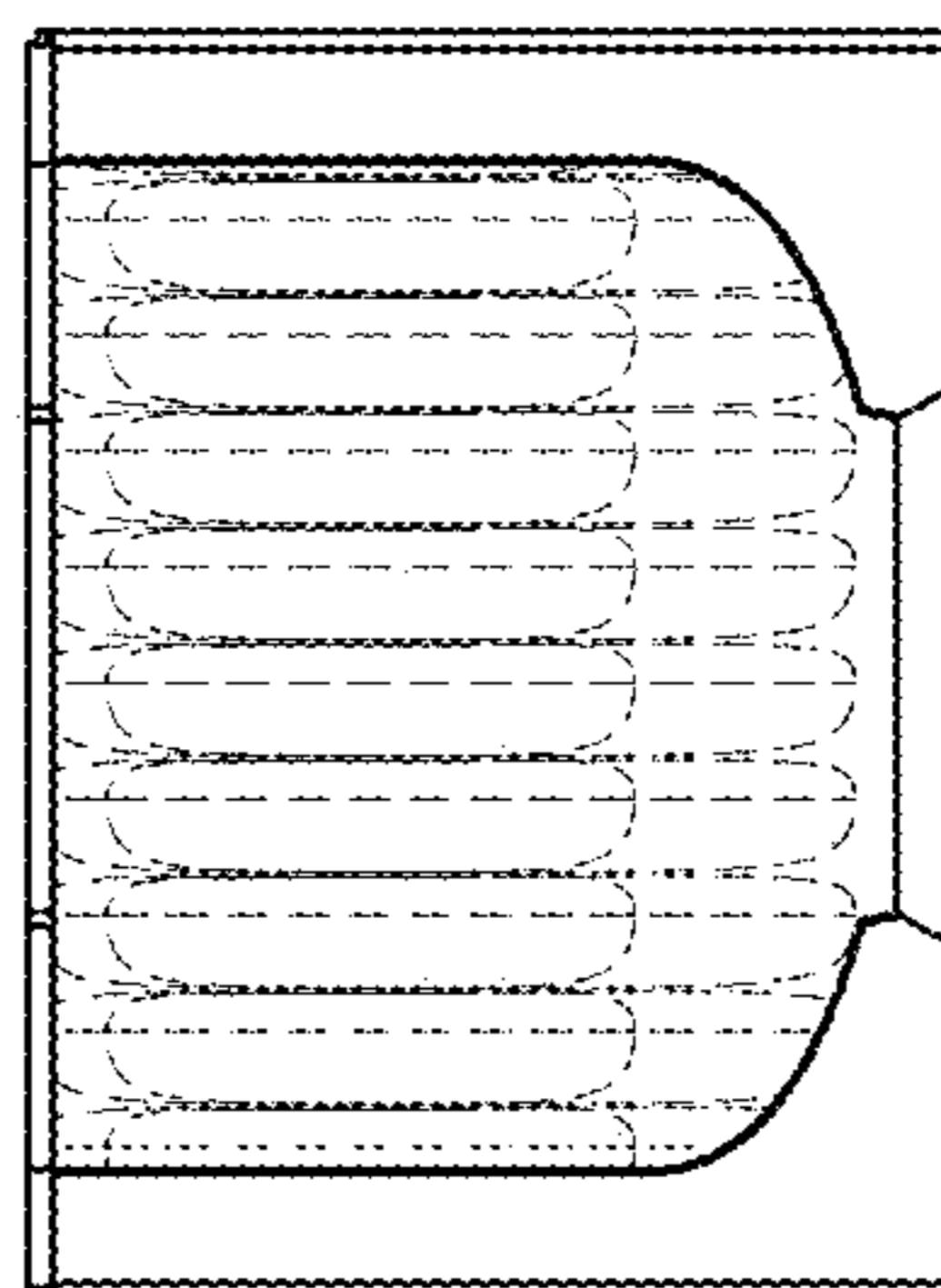


Fig. 29