



US00D871208S

(12) **United States Design Patent**
Brock

(10) **Patent No.:** **US D871,208 S**

(45) **Date of Patent:** **** Dec. 31, 2019**

(54) **CONTAINER**

(71) Applicant: **Frank Brunckhorst Co., L.L.C.**,
Brooklyn, NY (US)

(72) Inventor: **George Brock**, Bradenton, FL (US)

(73) Assignee: **Frank Brunckhorst Co., L.L.C.**,
Brooklyn, NY (US)

(**) Term: **15 Years**

(21) Appl. No.: **29/626,758**

(22) Filed: **Nov. 20, 2017**

(51) **LOC (12) Cl.** **09-03**

(52) **U.S. Cl.**
USPC **D9/423**

(58) **Field of Classification Search**

USPC D9/414, 416, 418, 420, 423, 424, 425,
D9/426, 430, 431, 432, 433, 438, 449,
D9/629, 711, 737; D7/546, 549, 538,
D7/602, 615, 629, 701; 229/111, 112,
229/222, 230, 902, 904

CPC . B65D 5/00; B65D 5/66; B65D 5/325; B65D
5/5253; B65D 5/5246; B65D 5/6605;
B65D 5/6632; B65D 5/6635; B65D
5/6644; B65D 1/34; B65D 81/3813;
B65D 43/163; B65D 21/00

See application file for complete search history.

(56) **References Cited**

U.S. PATENT DOCUMENTS

D218,155 S * 7/1970 Britt D9/423
D408,734 S * 4/1999 McCann D9/423

D554,498 S * 11/2007 Lovett D7/629
D657,237 S * 4/2012 Allers D9/423
D668,536 S * 10/2012 Sanfilippo D9/423
D808,794 S * 1/2018 Yessin D9/425
D821,820 S * 7/2018 Chen D7/542
D840,221 S * 2/2019 Lam D9/423
D850,249 S * 6/2019 D'Alessandro D9/423

* cited by examiner

Primary Examiner — Wan Laymon

Assistant Examiner — Clint A Samuel

(74) *Attorney, Agent, or Firm* — Hoffmann and Baron,
LLP

(57) **CLAIM**

The ornamental design for a container, as shown and described.

DESCRIPTION

FIG. 1 is a perspective view of a container shown in a closed position and constructed in accordance with the invention; FIG. 2 is a top elevation view of the container shown in FIG. 1;

FIG. 3 is a bottom elevation view of the container shown in FIG. 1;

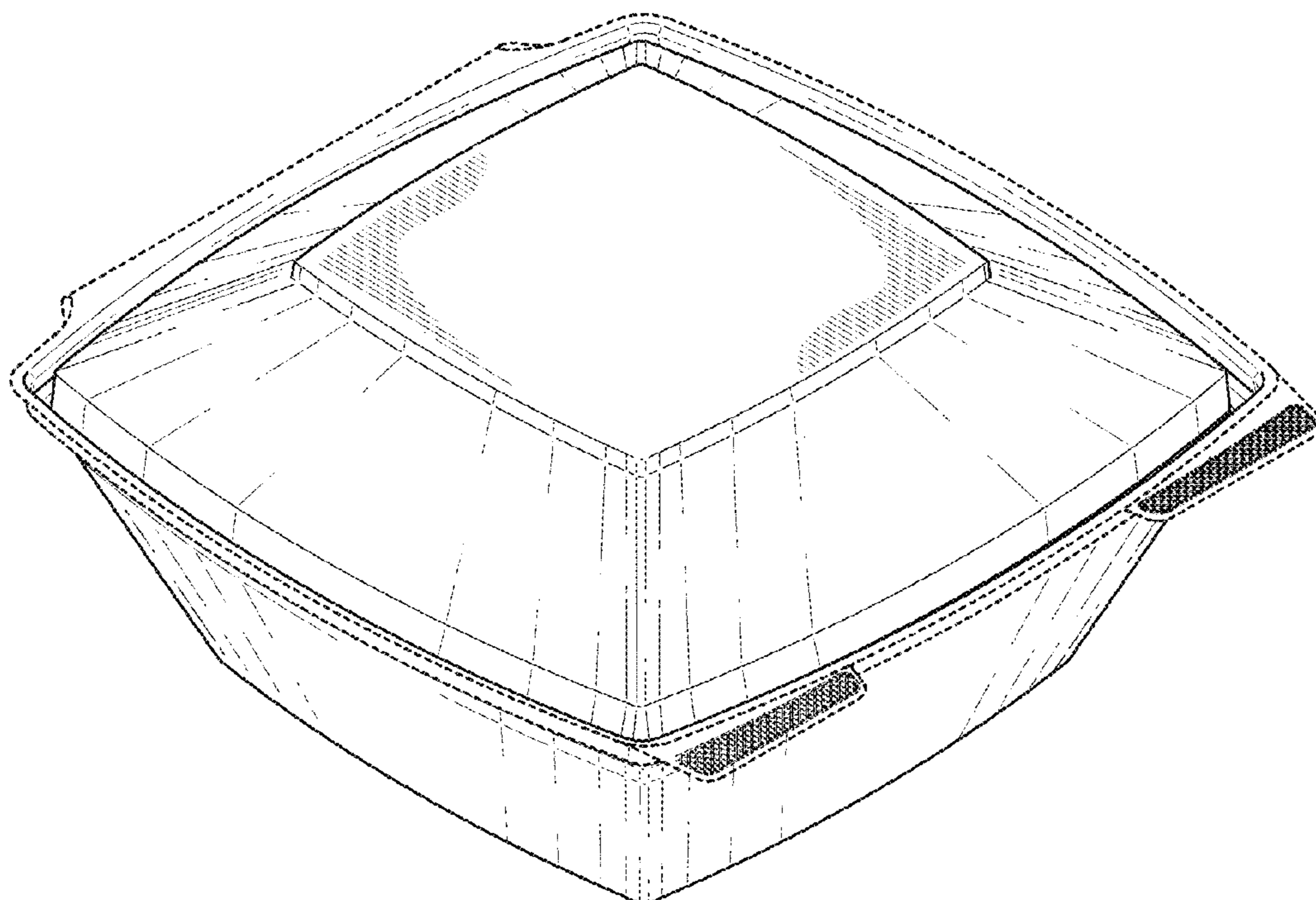
FIG. 4 is a front view of the container shown in FIG. 1;

FIG. 5 is a right side elevational view of the container shown in FIG. 1;

FIG. 6 is a rear view of the container shown in FIG. 1; and, FIG. 7 is a left side elevational view of the container shown in FIG. 1.

The broken lines shown in the drawings represent unclaimed environment and are for illustrative purposes only, forming no part of the claimed design.

1 Claim, 5 Drawing Sheets



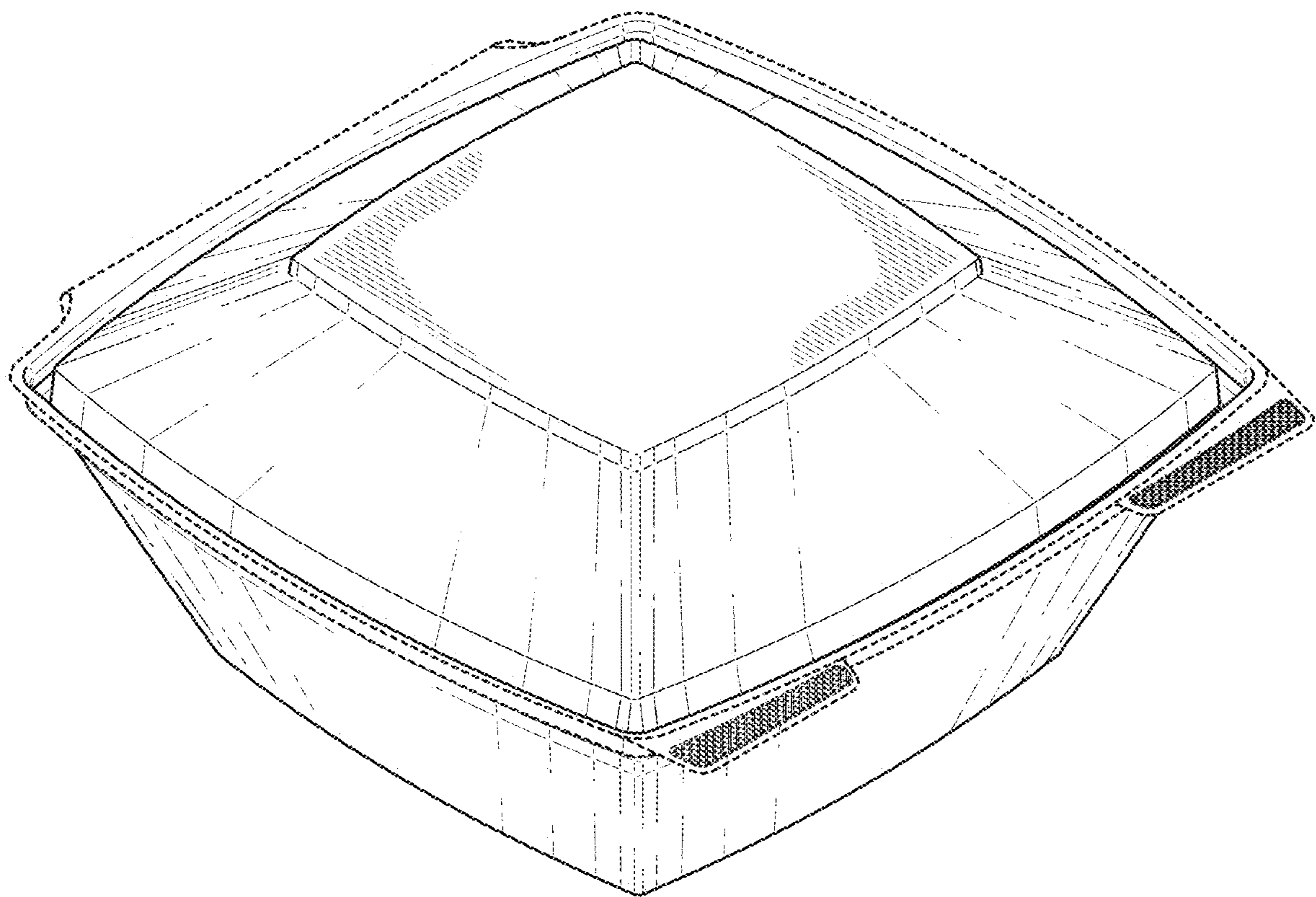


FIG. 1

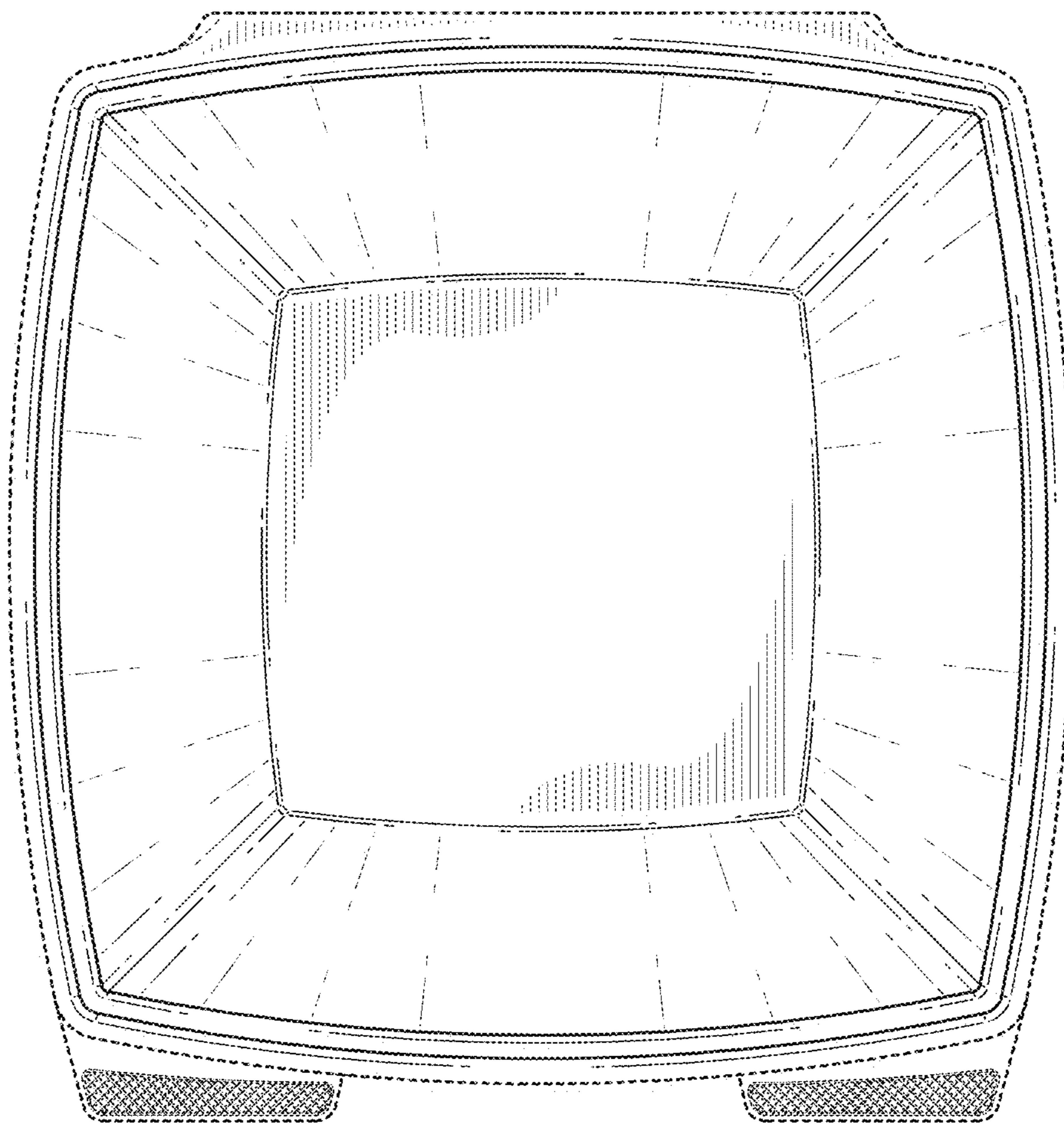


FIG. 2

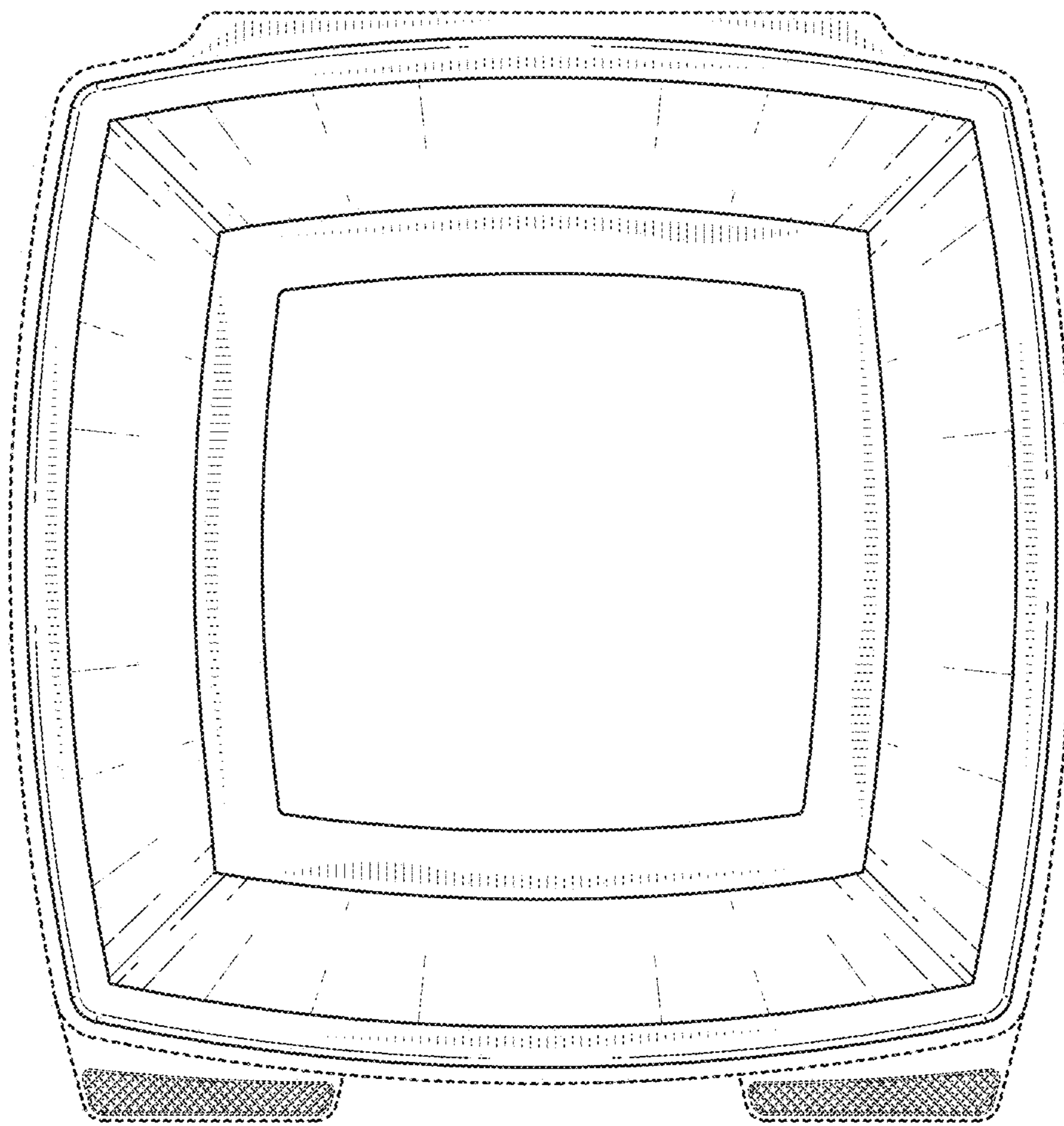


FIG. 3

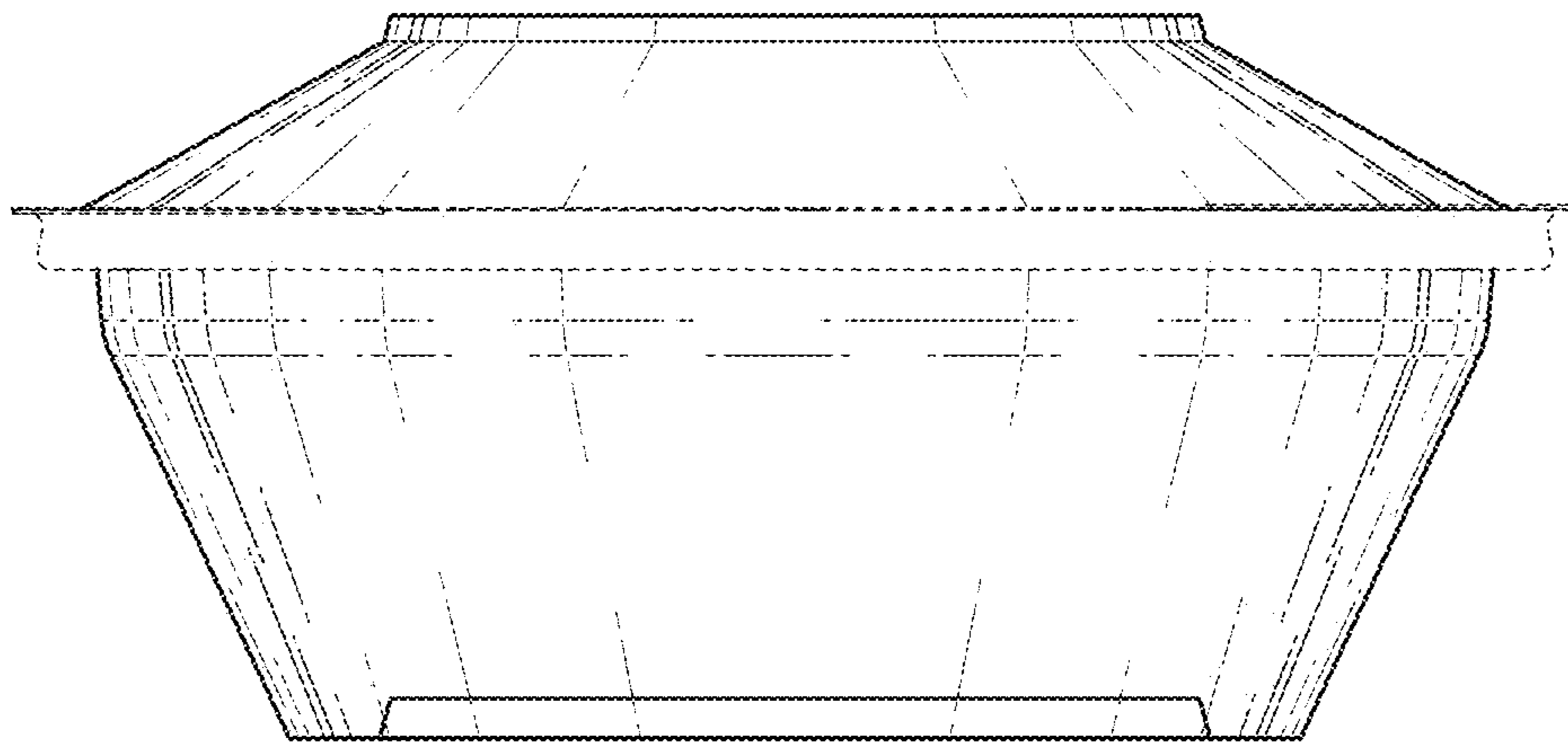


FIG. 4

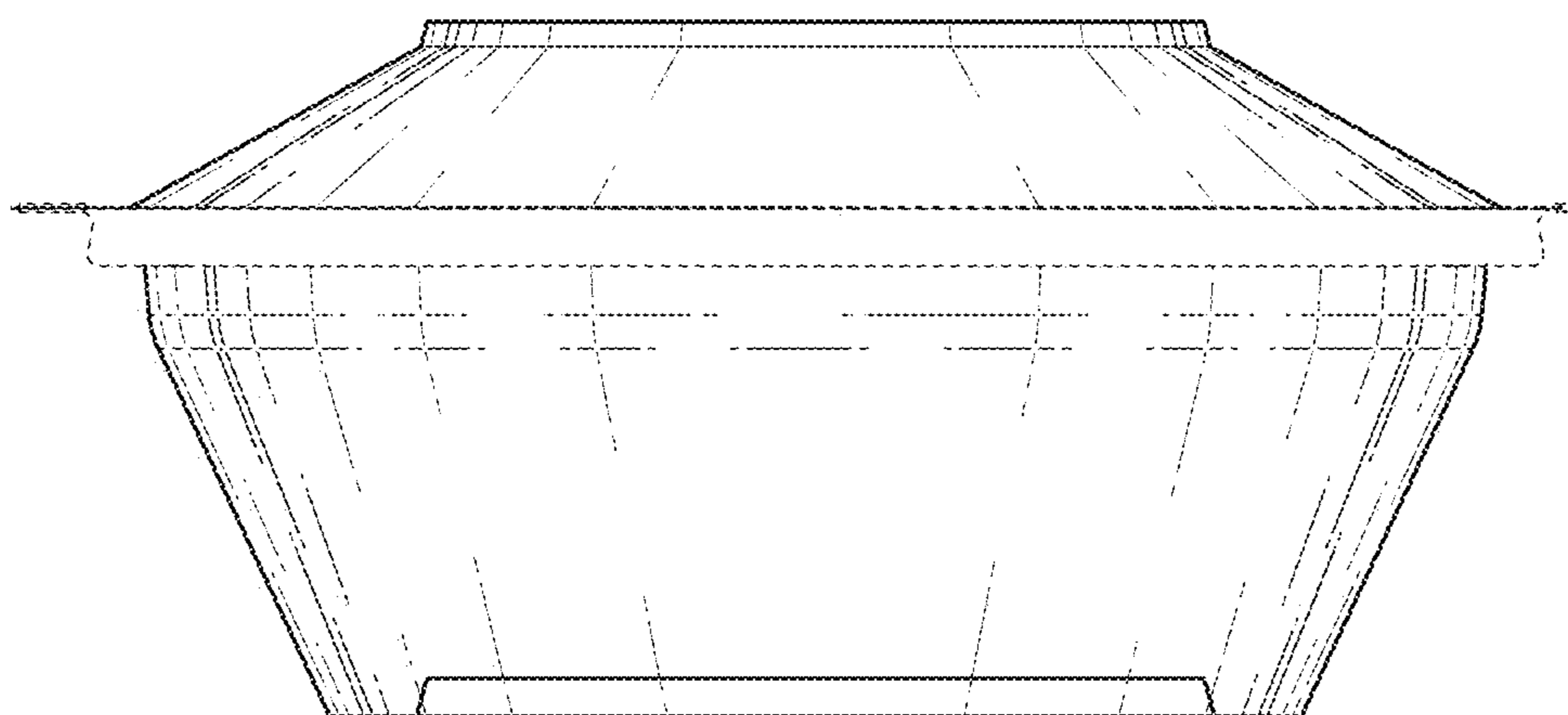


FIG. 5

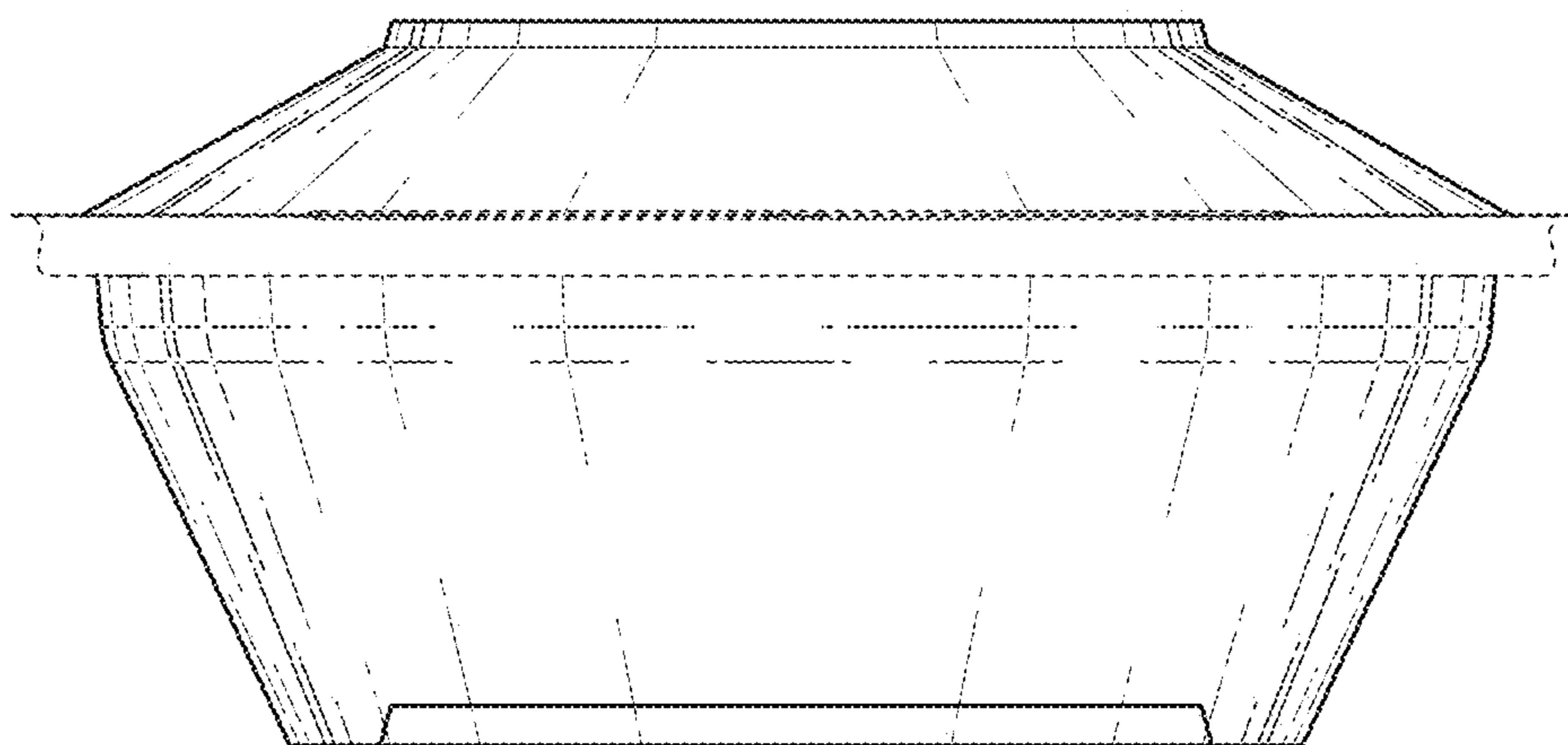


FIG. 6

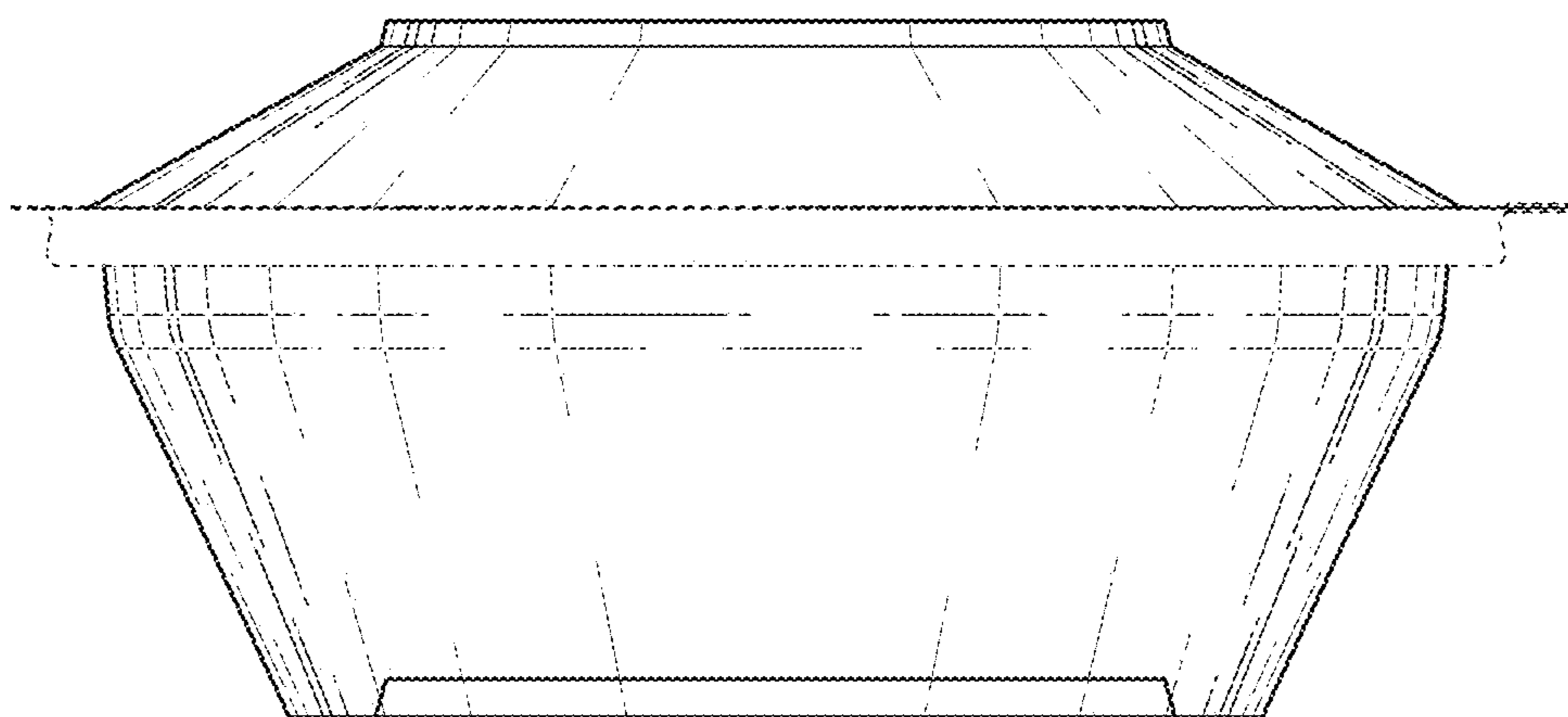


FIG. 7