



US00D871206S

(12) **United States Design Patent** (10) **Patent No.:** **US D871,206 S**
Alamer et al. (45) **Date of Patent:** **** Dec. 31, 2019**

(54) **MOTOR OIL CONTAINER**

(71) Applicant: **Chevron U.S.A. Inc.**, San Ramon, CA (US)

(72) Inventors: **Ghadah Alamer**, San Ramon, CA (US); **Stephen P. Dilley**, San Ramon, CA (US); **Barbara Ann Nelson**, San Ramon, CA (US); **David Schletewitz**, San Ramon, CA (US); **Devin Muldoon**, San Ramon, CA (US); **Michael Sauer**, Chicago, IL (US)

(73) Assignee: **CHEVRON U.S.A. INC.**, San Ramon, CA (US)

(**) Term: **15 Years**

(21) Appl. No.: **29/627,948**

(22) Filed: **Nov. 30, 2017**

(51) **LOC (12) Cl.** **09-03**

(52) **U.S. Cl.**
USPC **D9/417**

(58) **Field of Classification Search**
USPC D9/414, 415, 416, 417, 418, 423, 431,
D9/432, 438, 440, 447; D7/300, 312,
D7/313, 316

(Continued)

(56) **References Cited**

U.S. PATENT DOCUMENTS

5,816,411 A * 10/1998 Smith B65D 5/46096
206/782

D716,664 S * 11/2014 Canuto D9/417
(Continued)

Primary Examiner — Wan Laymon
Assistant Examiner — Clint A Samuel

(74) *Attorney, Agent, or Firm* — Dickinson Wright PLLC

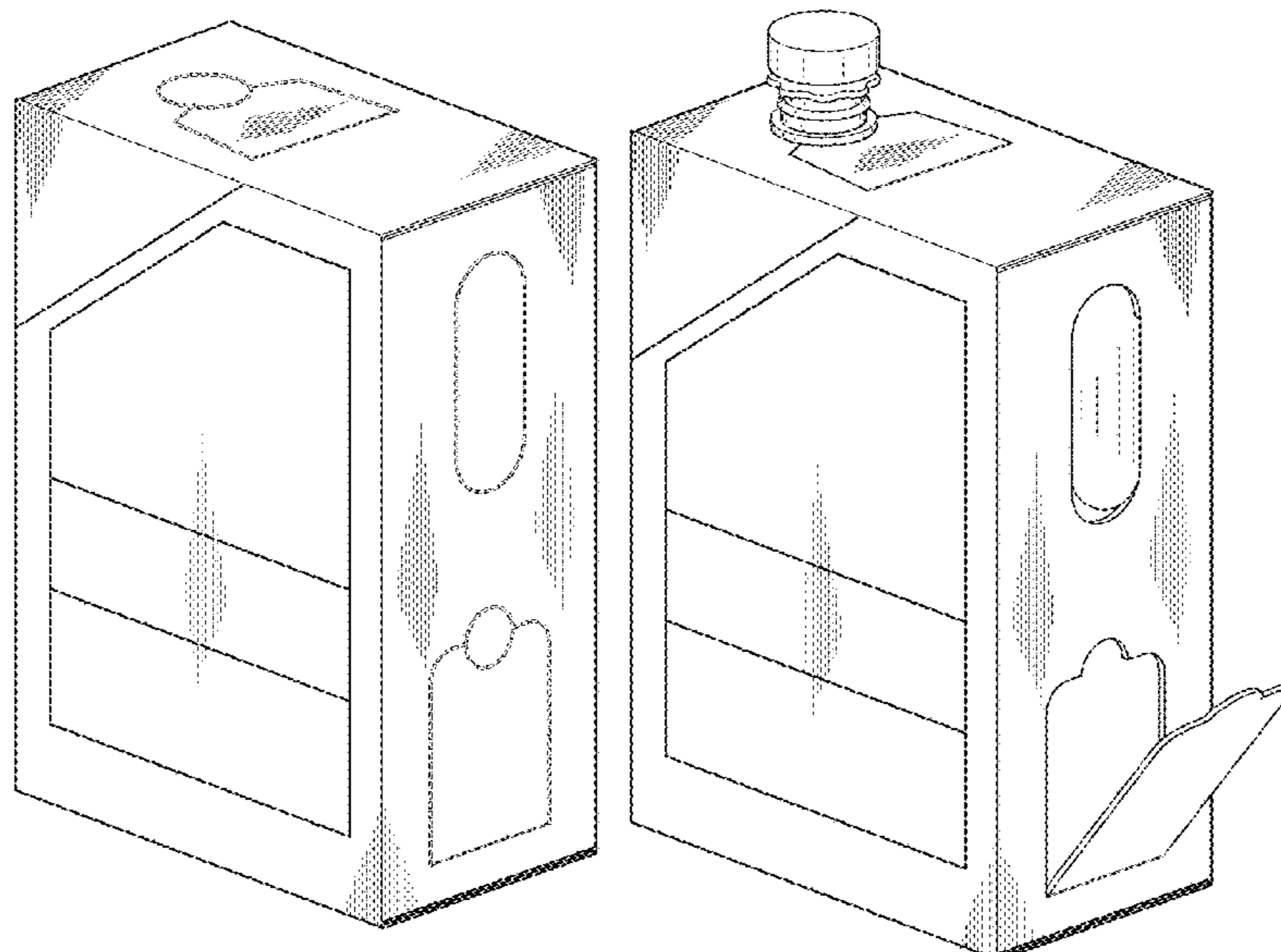
(57) **CLAIM**

The ornamental design for a motor oil container, as shown and described.

DESCRIPTION

FIG. 1 is a perspective view of the motor oil container of our design;
FIG. 2 is a front view of the motor oil container of our design;
FIG. 3 is a left side view of the motor oil container of our design;
FIG. 4 is a rear view of the motor oil container of our design;
FIG. 5 is a right side view of the motor oil container of our design;
FIG. 6 is a top view of the motor oil container of our design;
FIG. 7 is a bottom view of the motor oil container of our design;
FIG. 8 is a perspective view of the motor oil container of our design, the motor oil container shown in an operational configuration thereof;
FIG. 9 is a front view of the motor oil container of our design, the motor oil container shown in an operational configuration thereof;
FIG. 10 is a left side view of the motor oil container of our design, the motor oil container shown in an operational configuration thereof;
FIG. 11 is a rear view of the motor oil container of our design, the motor oil container shown in an operational configuration thereof;
FIG. 12 is a right side view of the motor oil container of our design, the motor oil container shown in an operational configuration thereof;
FIG. 13 is a top view of the motor oil container of our design, the motor oil container shown in an operational configuration thereof; and,
FIG. 14 is a bottom view of the motor oil container of our design, the motor oil container shown in an operational configuration thereof.

1 Claim, 6 Drawing Sheets



(58) **Field of Classification Search**

CPC ... B65D 5/00; B65D 5/16; B65D 5/18; B65D
5/20; B65D 5/42; B65D 5/66; B65D
5/061; B65D 5/008; B65D 5/422; B65D
5/4204; B65D 5/4225; B65D 5/5007;
B65D 5/5206; B65D 2571/00543; B65D
2571/00549; B65D 2571/0066; B65D
2517/00; B65D 2517/0002; B65D
2517/0004; B65D 2517/0005; B65D
2517/0008; B65D 2517/0011; B65D
2517/0013; B65D 2517/0014; B65D
2517/0016; B65D 77/06; B65D 77/065;
B65D 1/02; B65D 1/22; B65D 81/02;
B65D 81/3813; B65D 81/3848; F16N
3/00; F16N 3/04

See application file for complete search history.

(56) **References Cited**

U.S. PATENT DOCUMENTS

D729,060 S * 5/2015 Trombetta D9/418
D772,054 S * 11/2016 Wolf D9/417
D793,224 S * 8/2017 Sagardoy Muniesa D9/416
RE47,139 E * 11/2018 Katopo B65D 5/42
D9/432
D833,282 S * 11/2018 Thompson D9/517
D840,806 S * 2/2019 Bourke D9/432
D843,208 S * 3/2019 Nicolau D9/432
D855,451 S * 8/2019 Kim D9/416
2013/0284797 A1 * 10/2013 Ouillette B65D 5/46016
229/117.16
2018/0201405 A1 * 7/2018 Saito B65D 5/746
2018/0370676 A1 * 12/2018 Thompson B65D 5/40
2019/0084744 A1 * 3/2019 McRae B65D 77/067
2019/0152671 A1 * 5/2019 Voelker B65D 5/4204

* cited by examiner

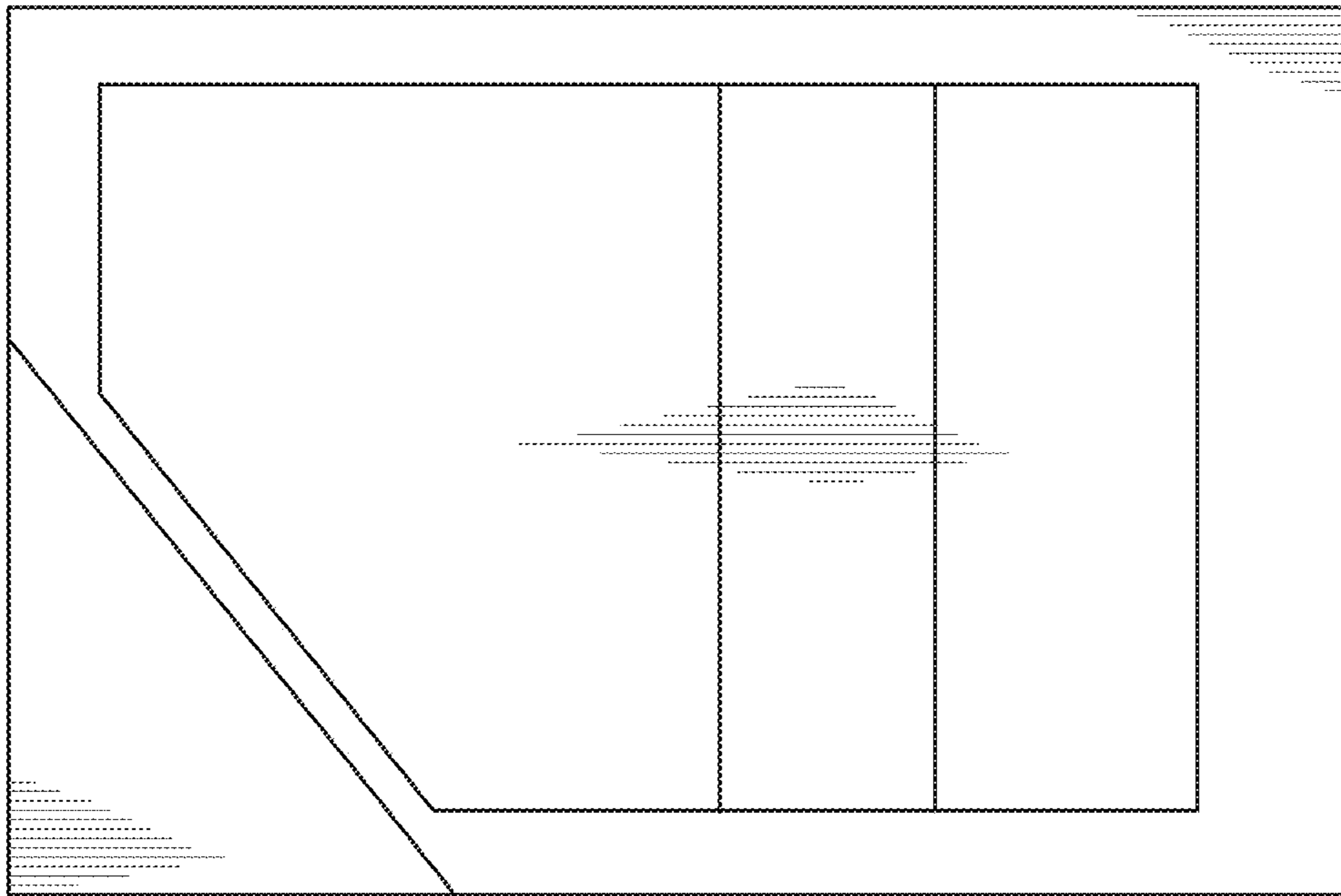


FIG. 2

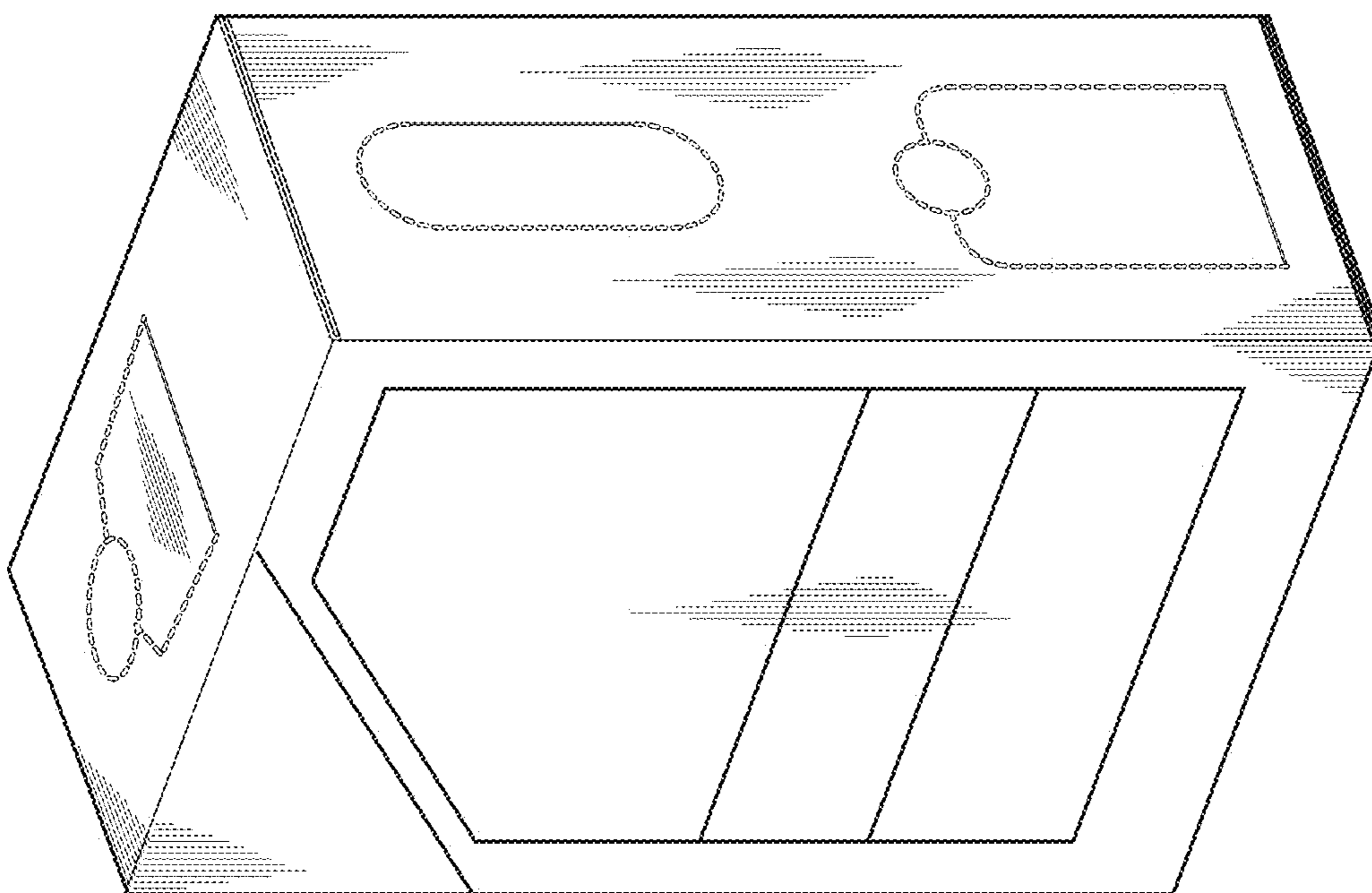


FIG. 1

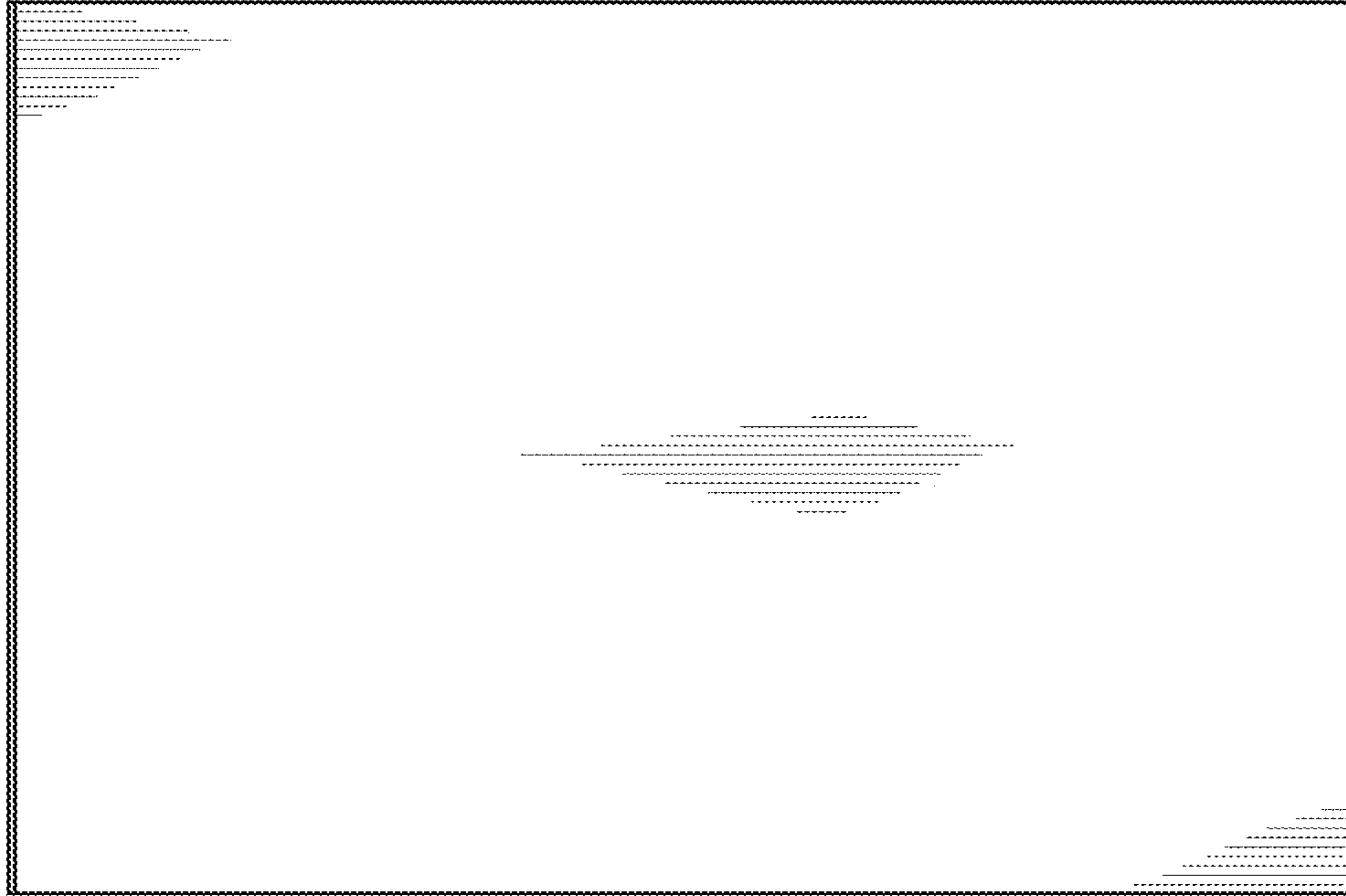


FIG. 4

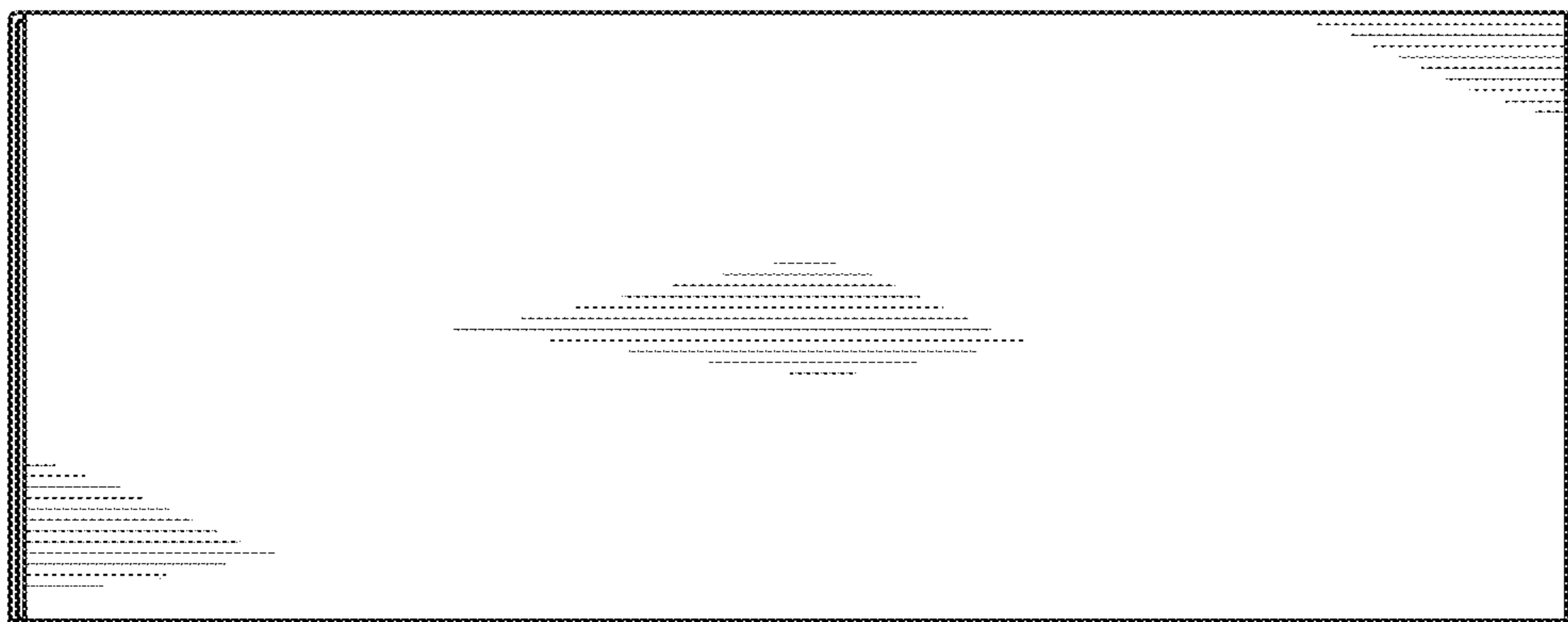


FIG. 3

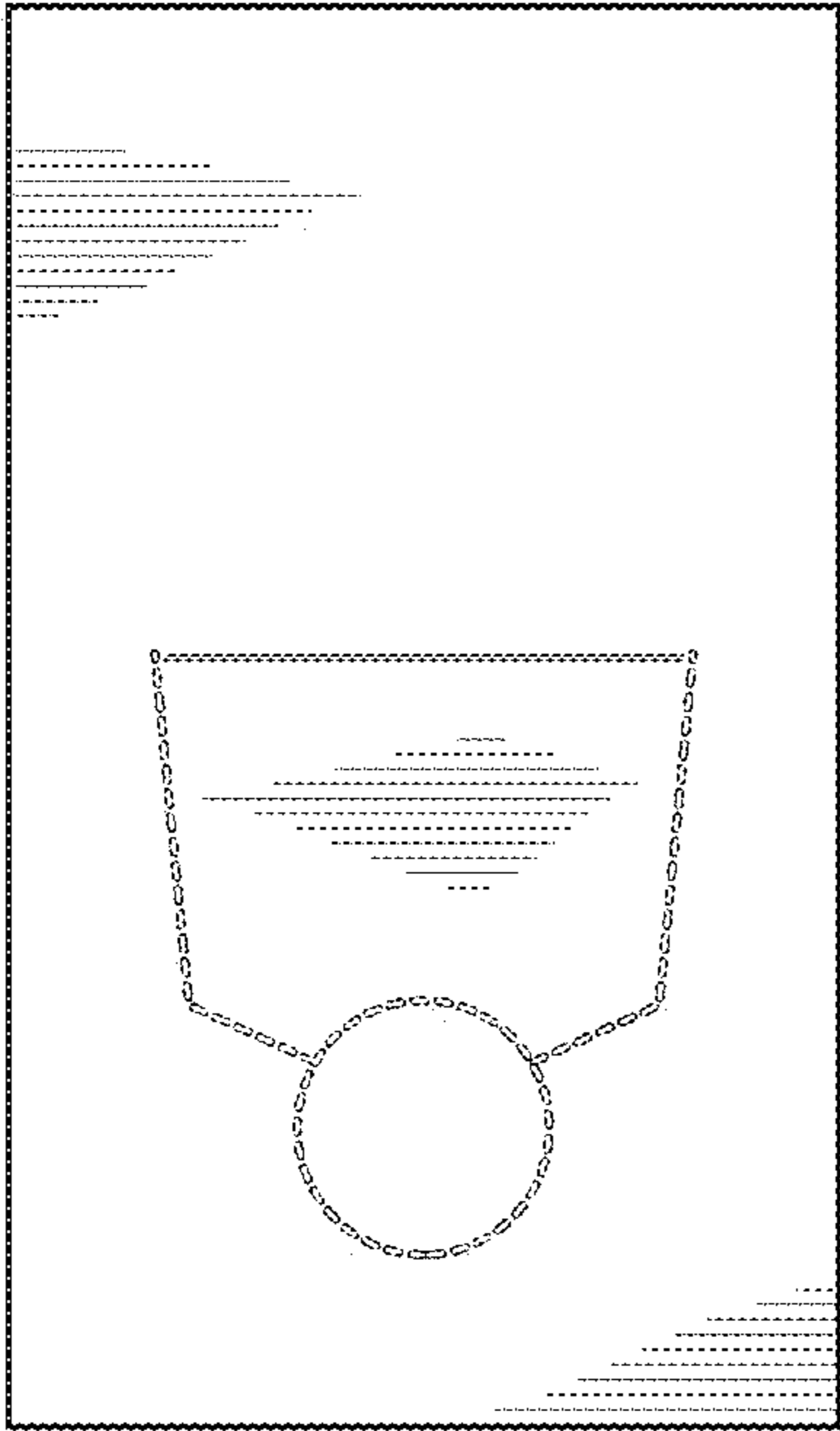


FIG. 6

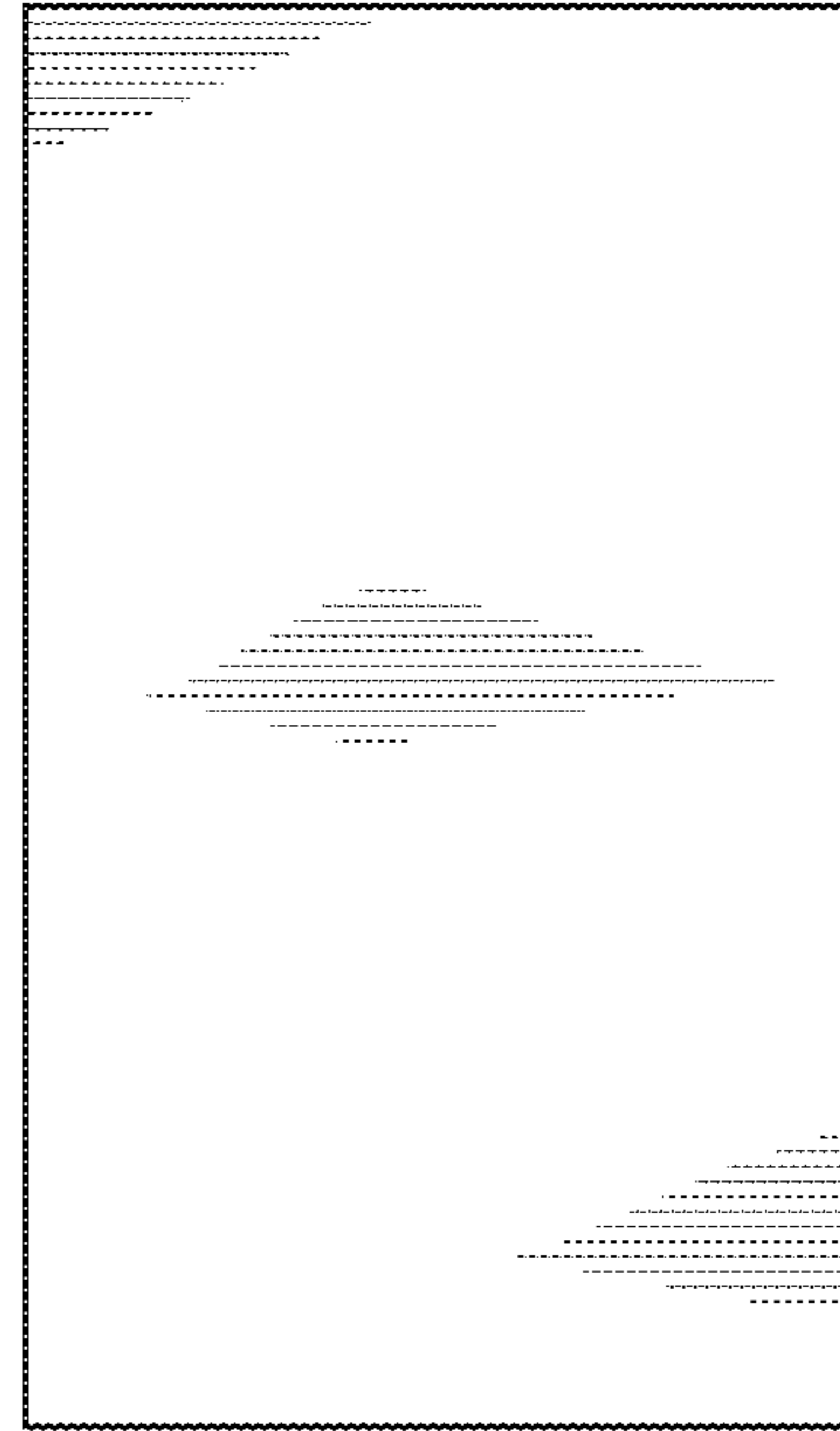


FIG. 7

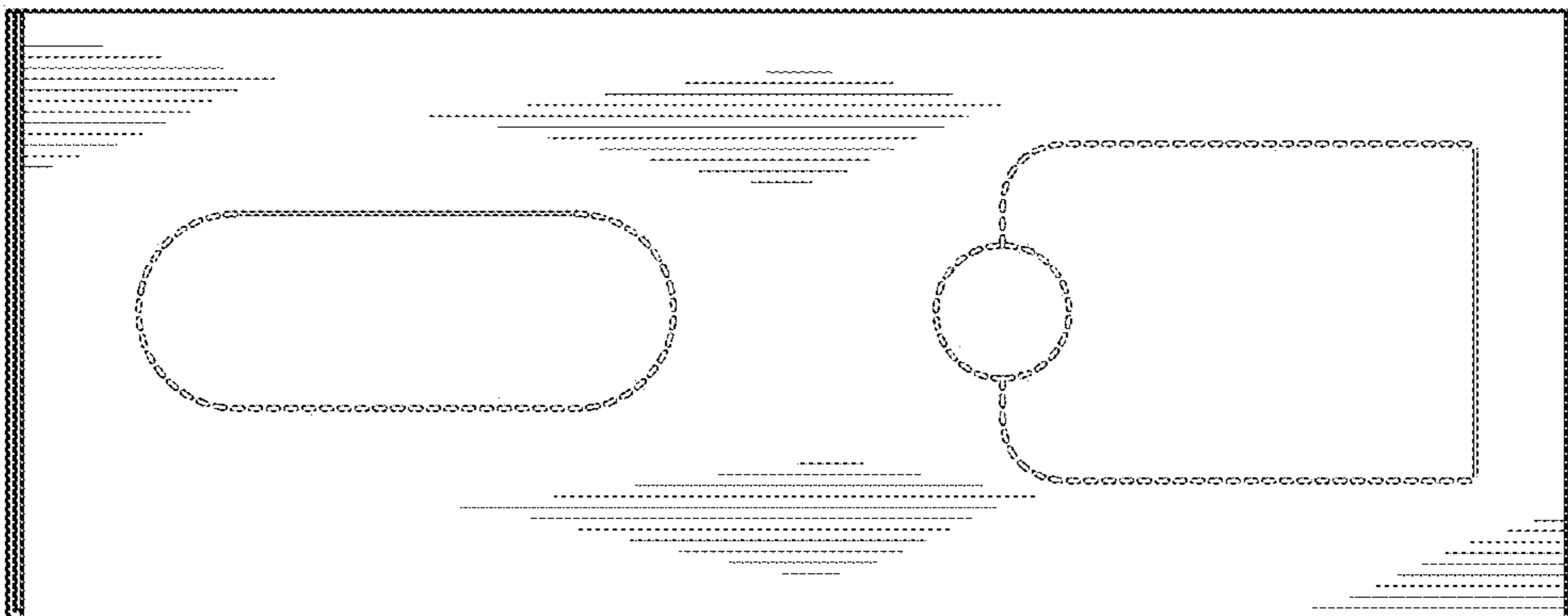


FIG. 5

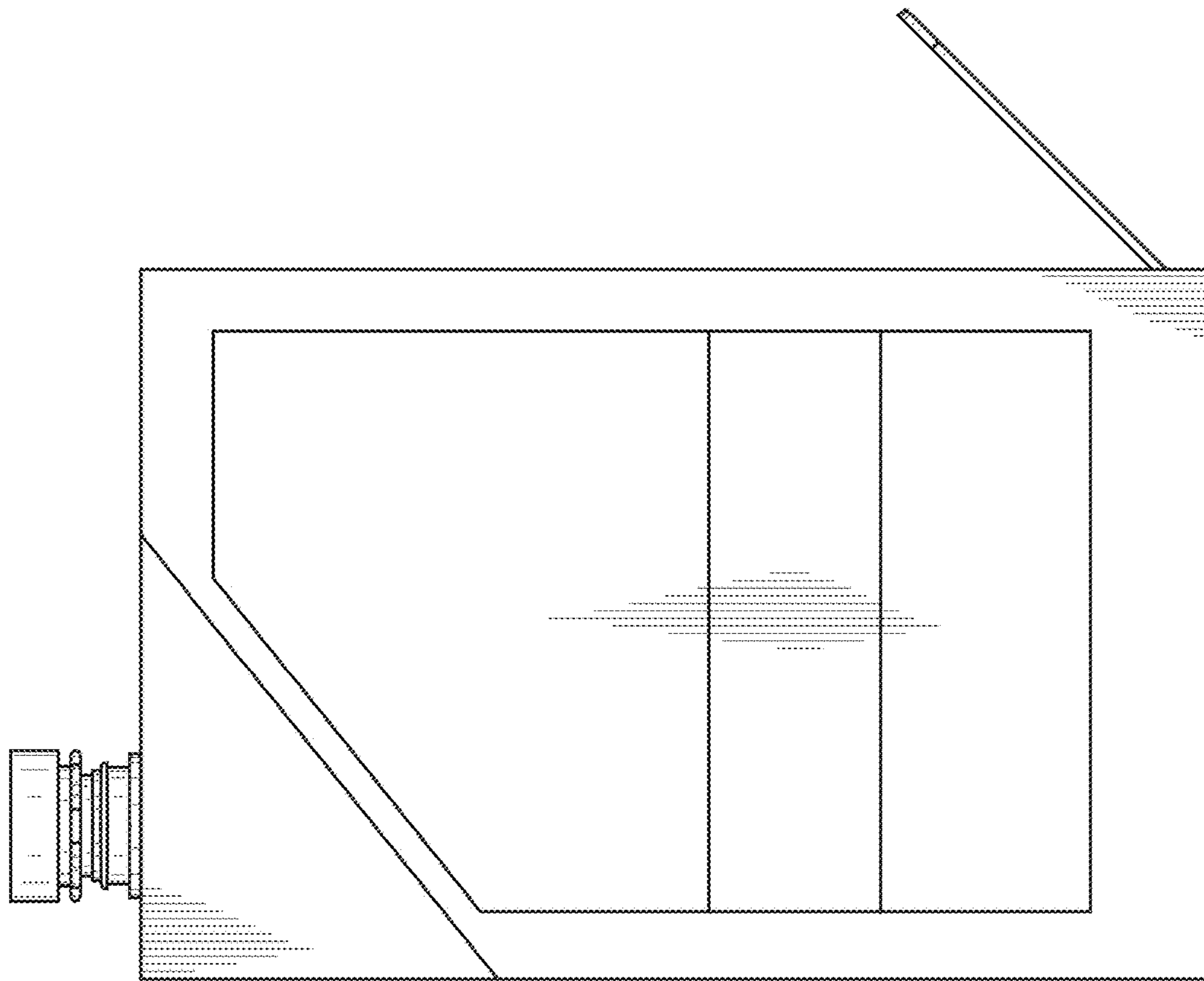


FIG. 9

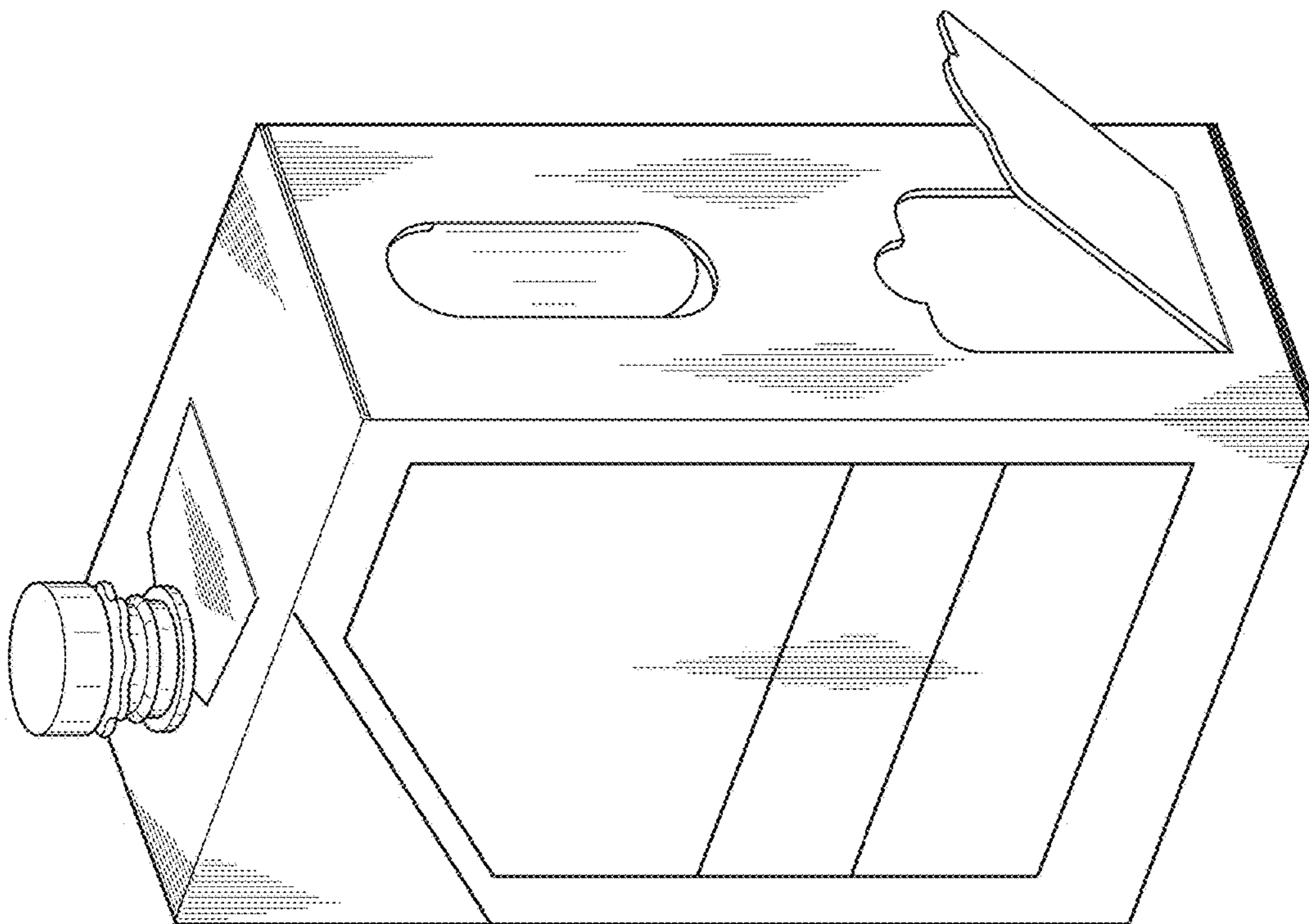


FIG. 8

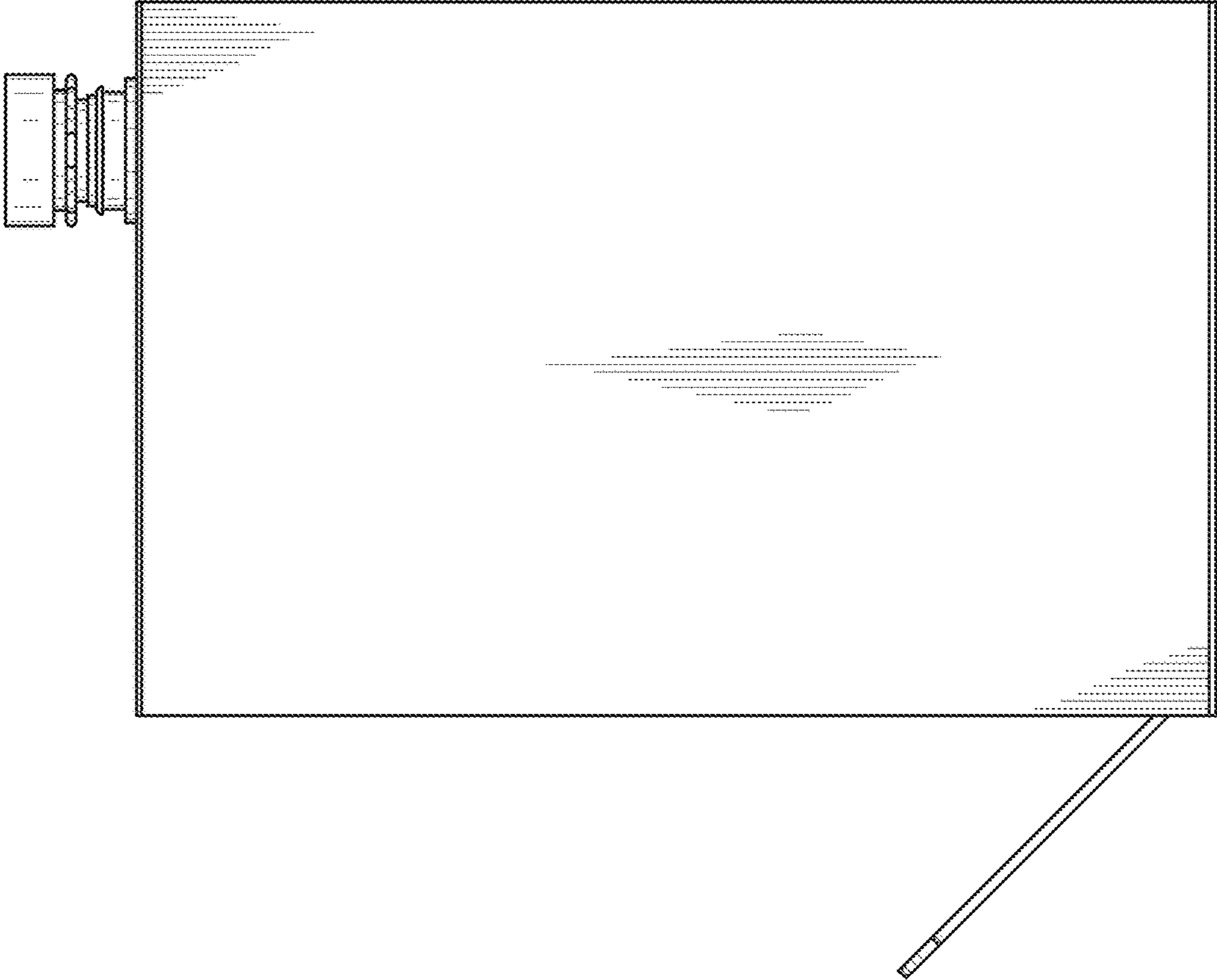


FIG. 11

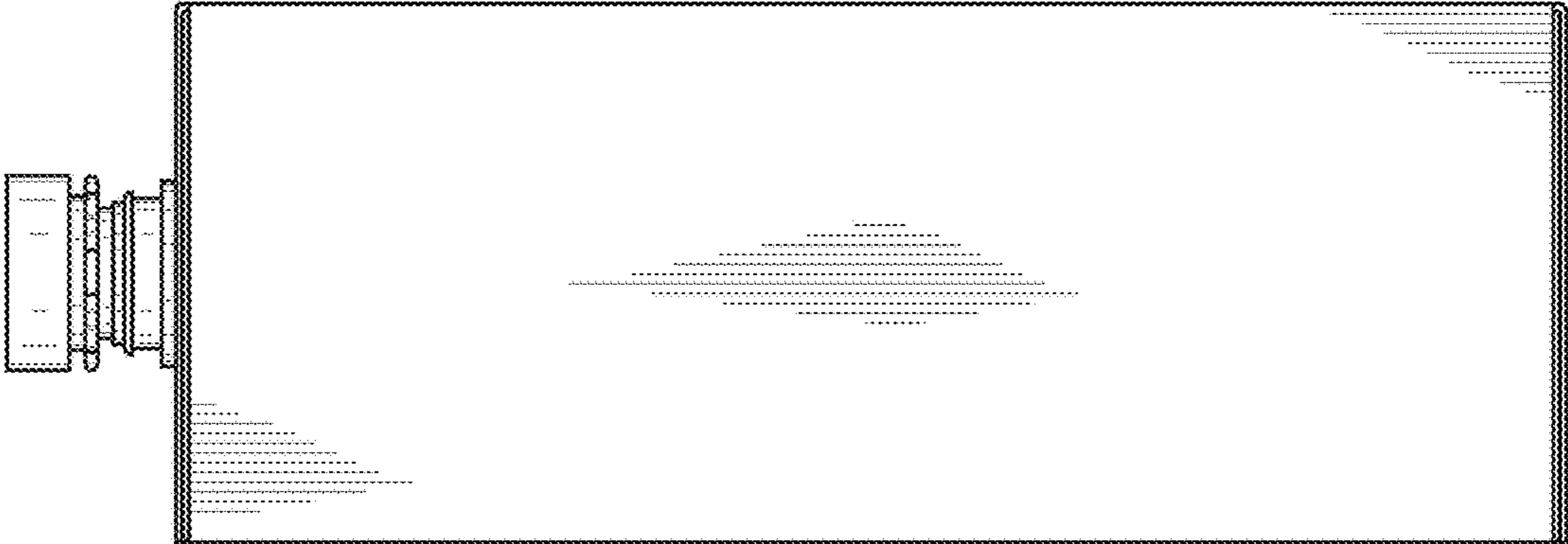


FIG. 10

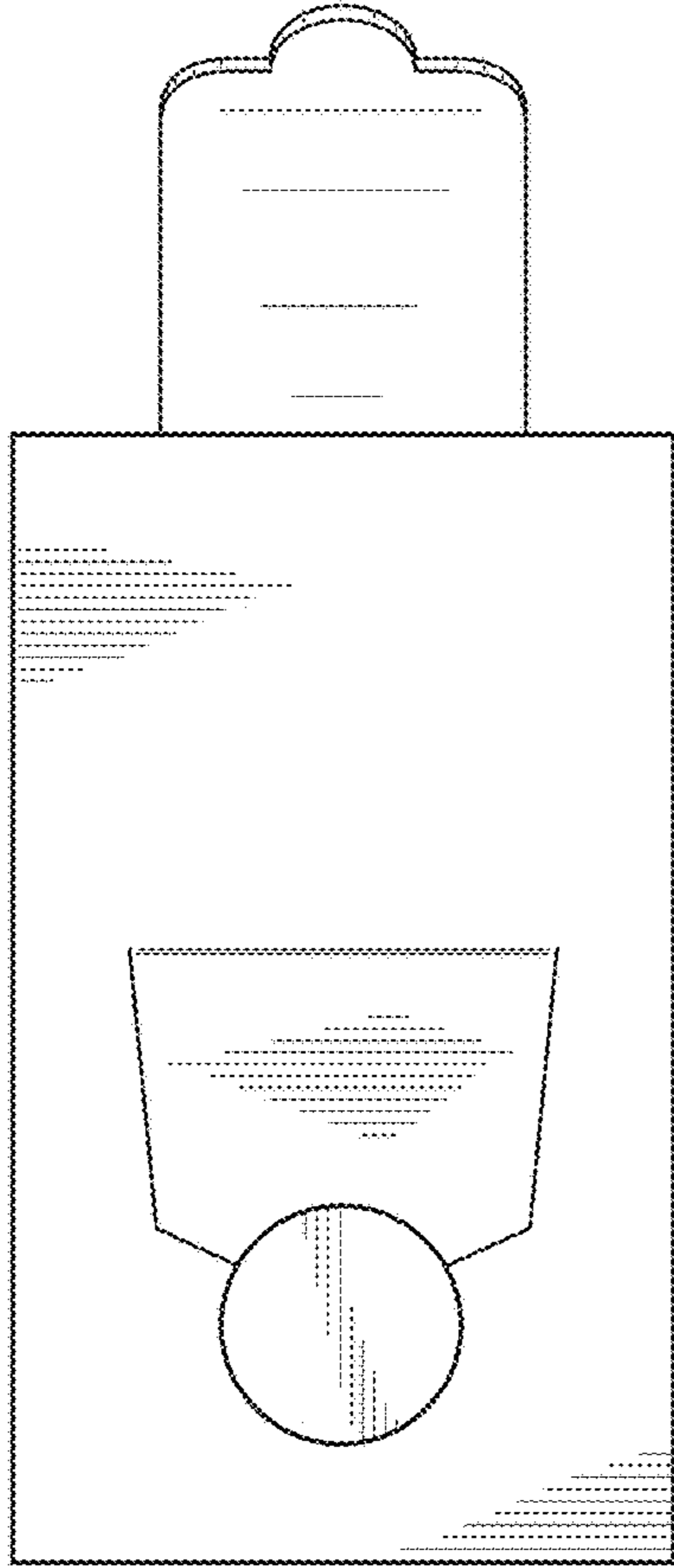


FIG. 13

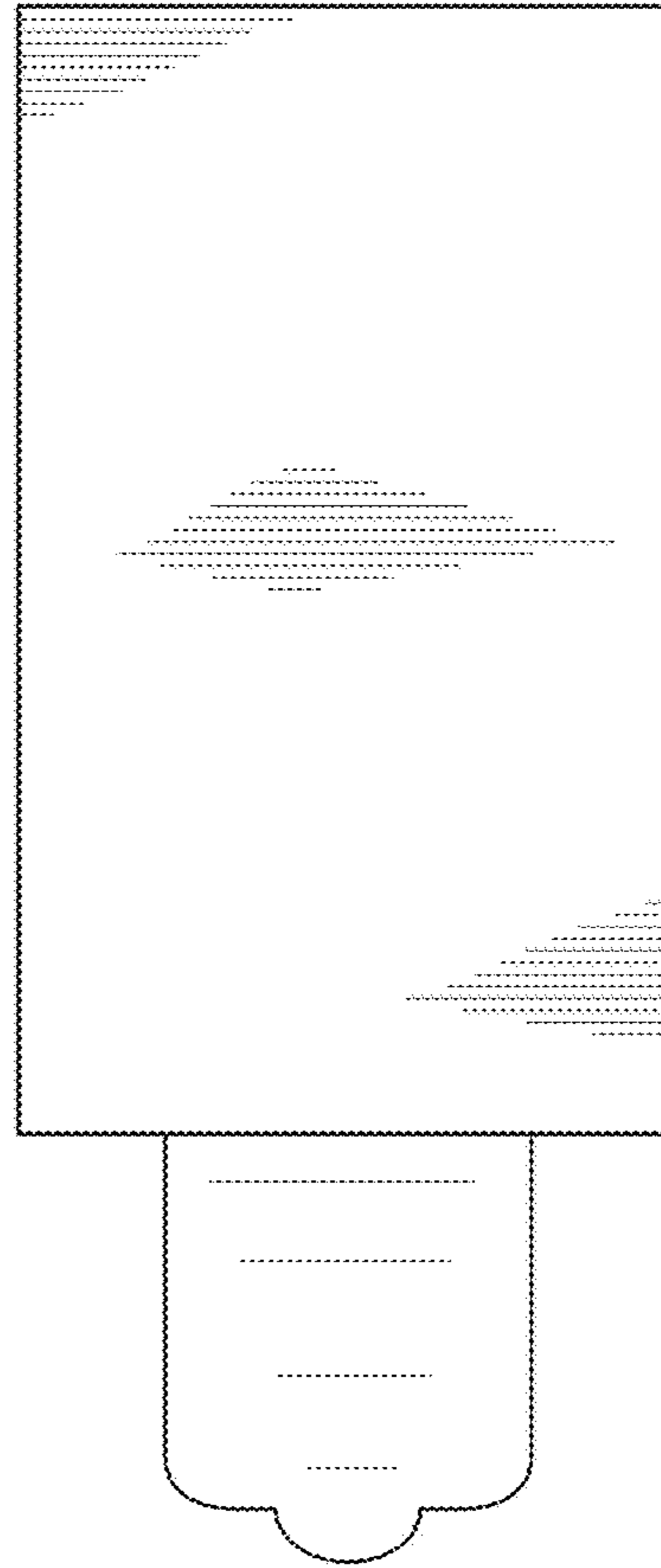


FIG. 14

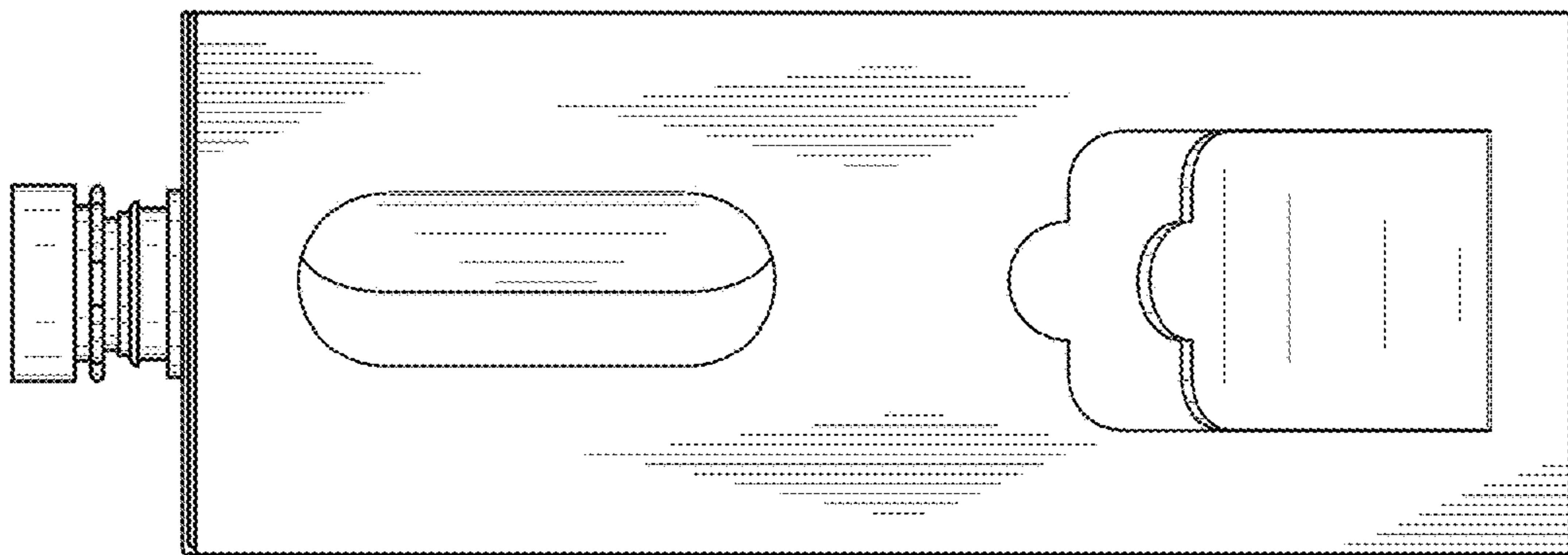


FIG. 12