



US00D871205S

(12) **United States Design Patent**
Farrell

(10) **Patent No.:** **US D871,205 S**
(45) **Date of Patent:** **** Dec. 31, 2019**

(54) **PACKAGE FOR A CONTAINER AND ORAL APPLIANCE**

FOREIGN PATENT DOCUMENTS

(71) Applicant: **MYOSA PTY LTD**, Helensvale, QLD (AU)

AU 2013205854 A1 3/2014
DE 202013008189 U1 1/2015

(Continued)

(72) Inventor: **Christopher John Farrell**, Helensvale (AU)

OTHER PUBLICATIONS

(73) Assignee: **MYOSA PTY LTD.**, Helensvale (AU)

Decision to Grant dated Mar. 23, 2018 from corresponding Russian Patent Application No. 2017501311/49, 6 pages.

(**) Term: **15 Years**

(Continued)

(21) Appl. No.: **29/675,460**

Primary Examiner — Kevin K Rudzinski

Assistant Examiner — Mehri F Bajoul

(22) Filed: **Jan. 2, 2019**

(74) *Attorney, Agent, or Firm* — McAndrews, Held & Malloy, Ltd.

Related U.S. Application Data

(63) Continuation of application No. 29/597,916, filed on Mar. 21, 2017, now Pat. No. Des. 840,800.

(57) **CLAIM**

(30) **Foreign Application Priority Data**

The ornamental design for a package for a container and oral appliance, as shown and described.

Sep. 23, 2016 (AU) 201615372
Sep. 23, 2016 (AU) 201615375

(Continued)

(51) **LOC (12) Cl.** **09-03**

(52) **U.S. Cl.**
USPC **D9/415**

(58) **Field of Classification Search**
USPC D9/414-418, 420, 430, 432-433, 441, D9/521, 424-425, 635, 451, 501, 504,
(Continued)

DESCRIPTION

FIG. 1 is a front perspective view of a package for a container and oral appliance showing my new design; FIG. 2 is a front elevation view thereof; FIG. 3 is a rear elevation view thereof; FIG. 4 is a right side elevation view thereof; FIG. 5 is a left side elevation view thereof; FIG. 6 is a top plan view thereof; and, FIG. 7 is a bottom plan view thereof.

(56) **References Cited**

U.S. PATENT DOCUMENTS

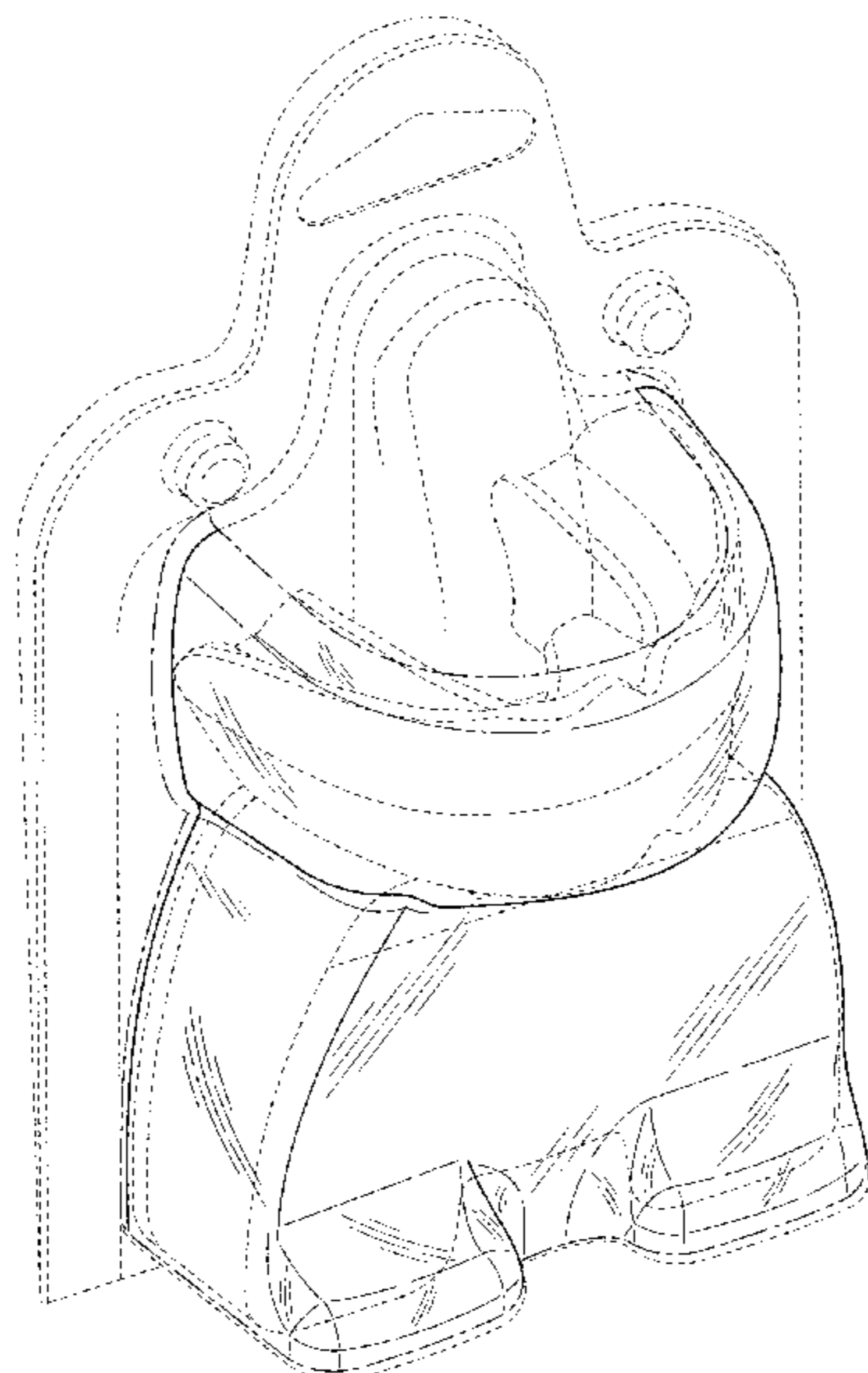
4,512,474 A * 4/1985 Harding B65D 75/225
206/461

D330,331 S 10/1992 Hsiao
(Continued)

The evenly spaced dashed broken lines in the figures illustrate portions of the package, container and oral appliance that form no part of the claimed design.

The unevenly spaced dot-dash broken lines in the figures define the boundaries of the claimed design and form no part thereof.

1 Claim, 5 Drawing Sheets



(30) Foreign Application Priority Data

Sep. 23, 2016 (AU) 201615380
 Sep. 23, 2016 (AU) 2016903871

(58) Field of Classification Search

USPC D9/531, 533–554, 564–575, 686–699,
 D9/701–702, 710–711, 722–723, 736,
 D9/740, 752, 755–756; D24/152, 156
 CPC B65D 43/161; B65D 43/163; B65D 17/12;
 A45D 40/0087

See application file for complete search history.

(56) References Cited

U.S. PATENT DOCUMENTS

D366,828 S 2/1996 Bachand et al.
 D379,301 S 5/1997 Lippincott
 D408,279 S * 4/1999 Fracassi D9/415
 D415,679 S 10/1999 Hata
 D420,905 S * 2/2000 Adkins D9/415
 6,079,561 A 6/2000 Burkard
 D428,331 S * 7/2000 MacTavish D9/415
 6,227,369 B1 5/2001 Glassman
 D449,780 S * 10/2001 Corella D9/415
 6,345,716 B1 2/2002 Chapman
 6,474,471 B1 11/2002 Miyake
 D531,054 S 10/2006 Sagel
 D534,795 S 1/2007 Manuel et al.
 D596,023 S 7/2009 Moskowitz
 D606,392 S 12/2009 Prevost
 D621,718 S * 8/2010 Mehdizadeh D9/707
 D623,935 S 9/2010 Kim et al.
 D631,337 S * 1/2011 Prevost D9/421
 D641,616 S * 7/2011 Prevost D9/420
 D642,048 S 7/2011 Ocampo et al.
 D672,557 S 12/2012 Farrell
 D679,862 S 4/2013 Sunder
 D692,295 S * 10/2013 Whalen, Jr. D9/415
 8,616,373 B2 * 12/2013 Hansen B65D 73/0092
 206/463
 D697,398 S 1/2014 Guevara-Ludt

D700,509 S 3/2014 Shirley et al.
 D711,735 S 8/2014 Atkinson
 D714,660 S * 10/2014 Tilahun D9/737
 D716,951 S 11/2014 Farrell
 D717,450 S 11/2014 Farrell
 D734,474 S 7/2015 Farrell
 D745,385 S 12/2015 Palsson et al.
 D752,230 S 3/2016 Farrell
 D758,180 S 6/2016 Wintolders et al.
 D777,570 S * 1/2017 Toledo D9/425
 D781,696 S 3/2017 Hübner et al.
 D785,865 S 5/2017 Rigobert et al.
 D786,501 S 5/2017 Rigobert et al.
 D799,049 S 10/2017 Farrell
 D800,317 S 10/2017 Farrell
 D814,316 S * 4/2018 Overgaag D9/759
 D829,985 S * 10/2018 Eggemeyer D28/8.1
 D854,408 S * 7/2019 Farrell D9/415
 2001/0007308 A1 7/2001 Glassman
 2004/0149615 A1 8/2004 Eisenbraun
 2004/0244805 A1 * 12/2004 Cook B65D 43/164
 128/859
 2013/0161220 A1 6/2013 Hansen et al.
 2015/0225139 A1 8/2015 Baker

FOREIGN PATENT DOCUMENTS

JP 1069887 S 2/2000
 WO 2016023221 A1 2/2016

OTHER PUBLICATIONS

<https://web.archive.org/web/20160308033800/elastoplast.com.au/products/mouthguards/adult-mouthguard-jaws-loc-AU>, retrieved from the internet on Mar. 11, 2019, 1 page.
 Australian International Search Report for the Australian Provisional application 2016/903871, dated Aug. 29, 2017, 14 pages.
<https://web.archive.org/web/20160308033913/https://www.elastoplast.com.au/products/mouthguards/youth-mouthguard-jaws-loc-AU>, retrieved from the internet on Mar. 11, 2019, 1 page.

* cited by examiner

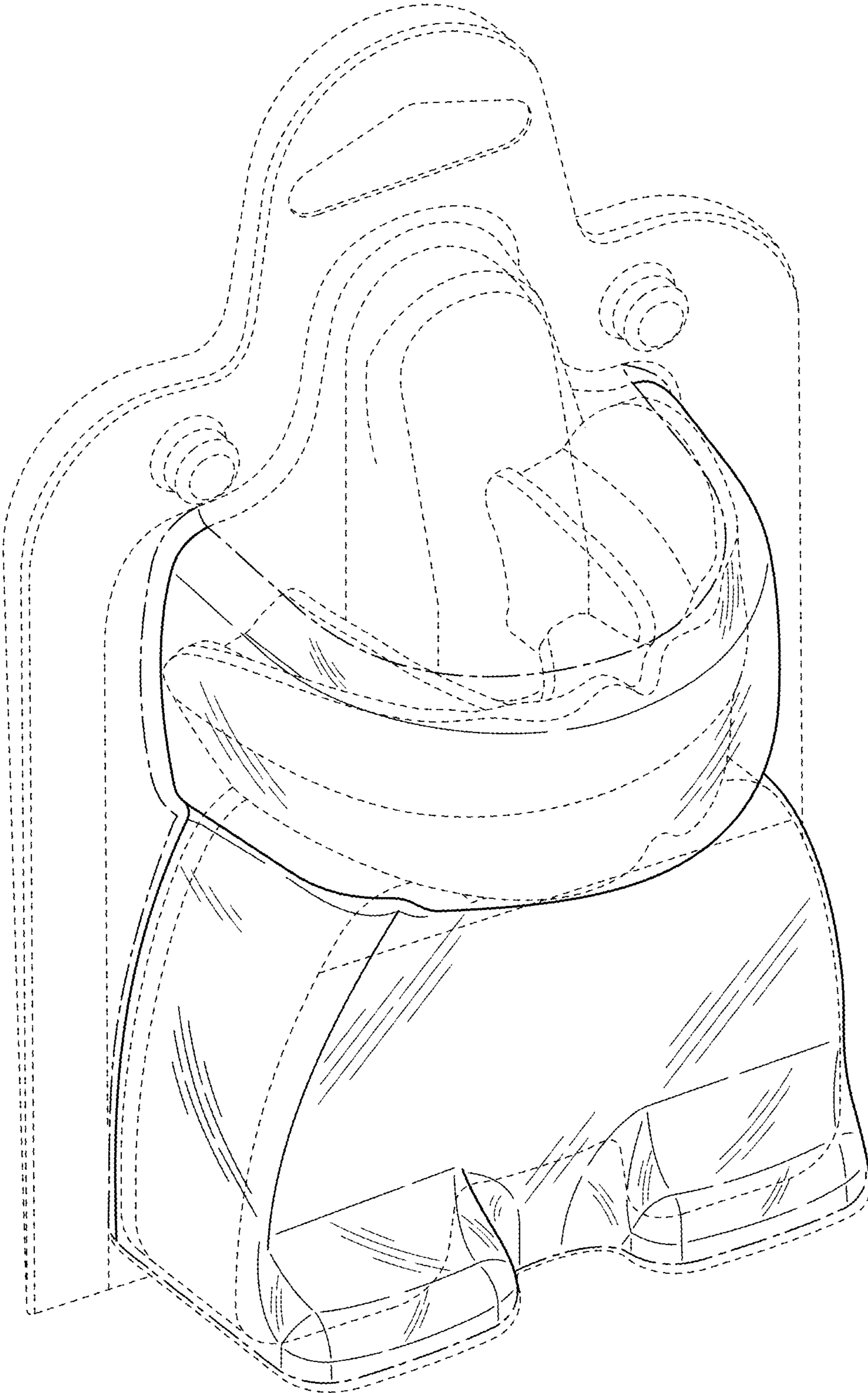


FIG. 1

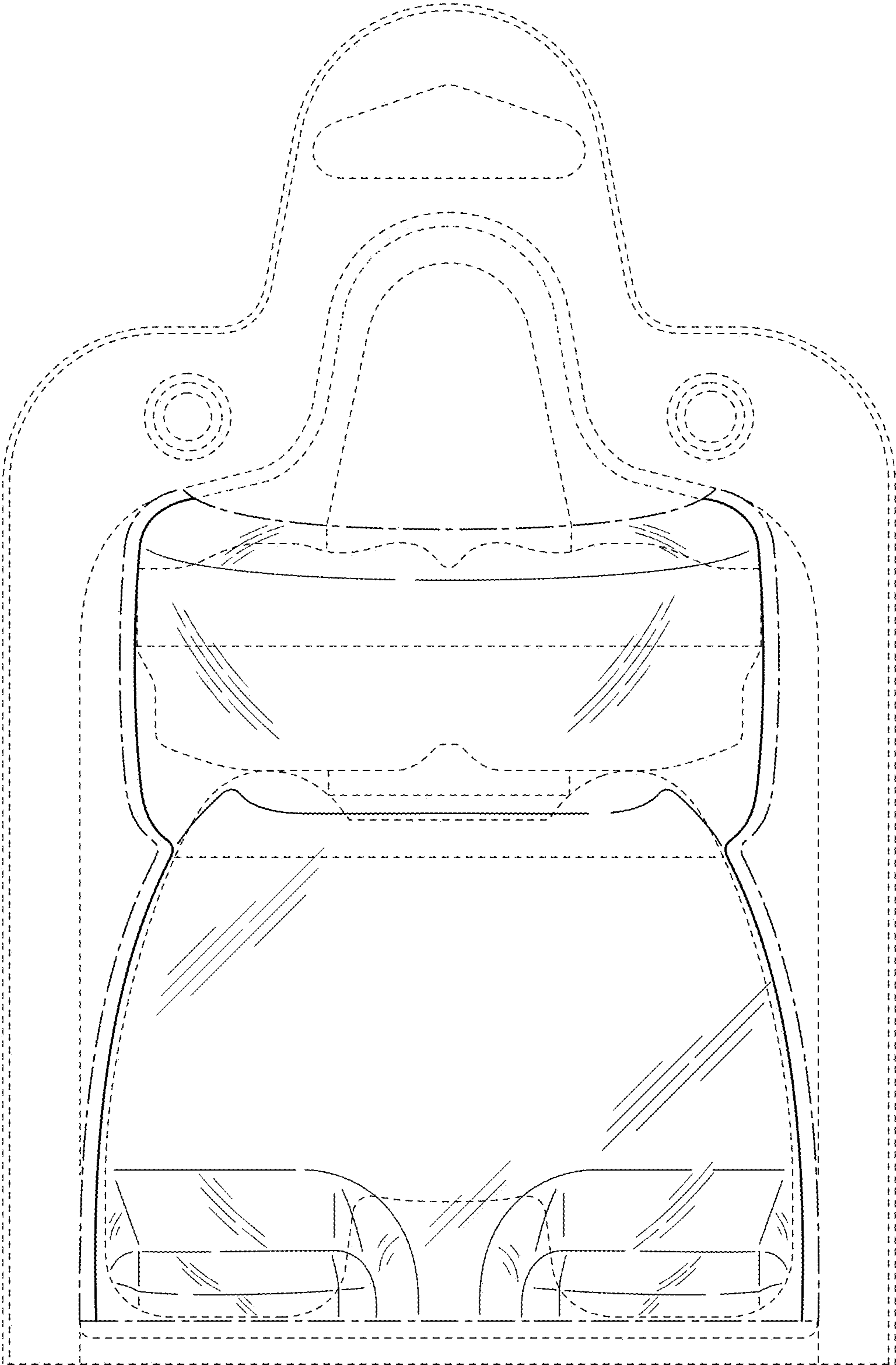


FIG. 2

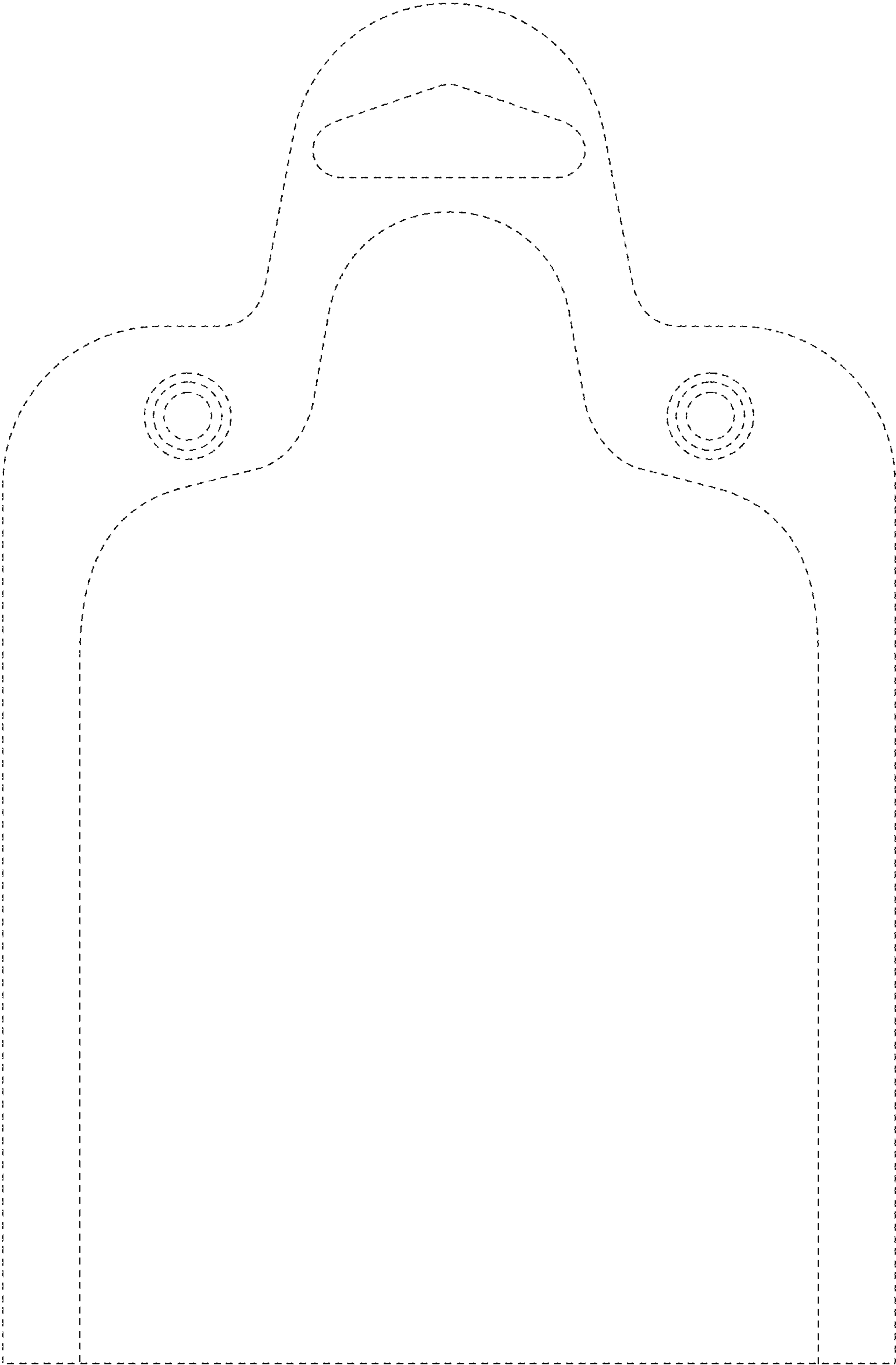


FIG. 3

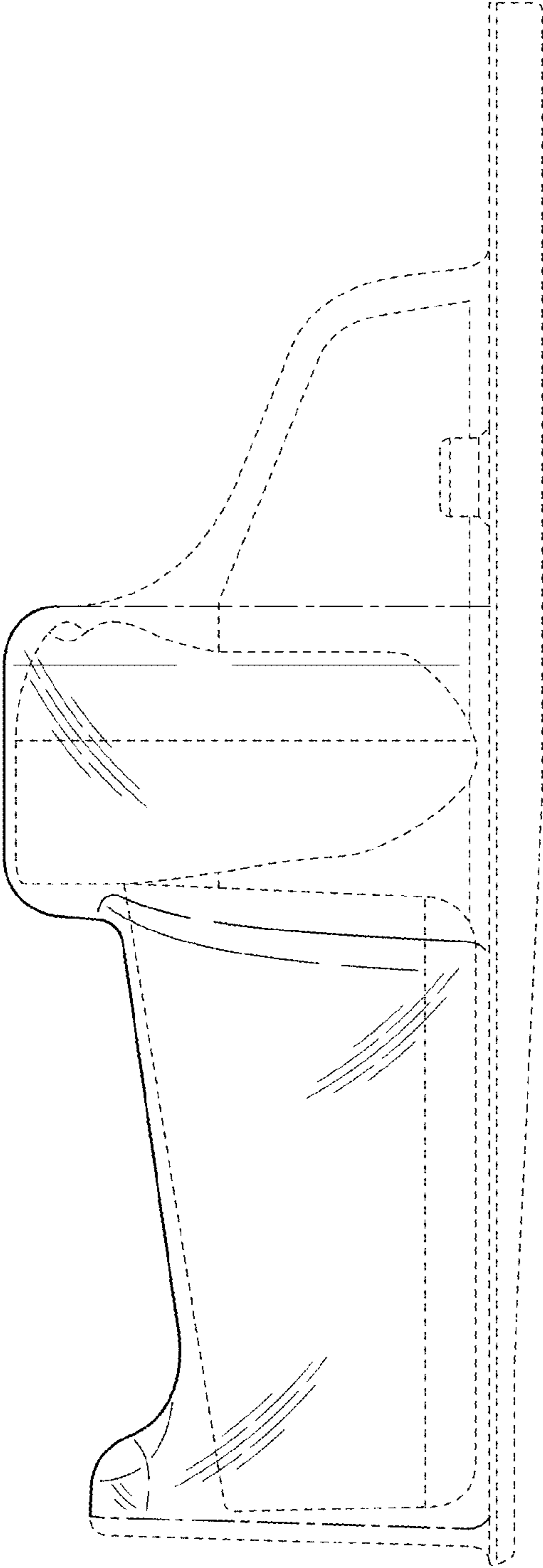


FIG. 4

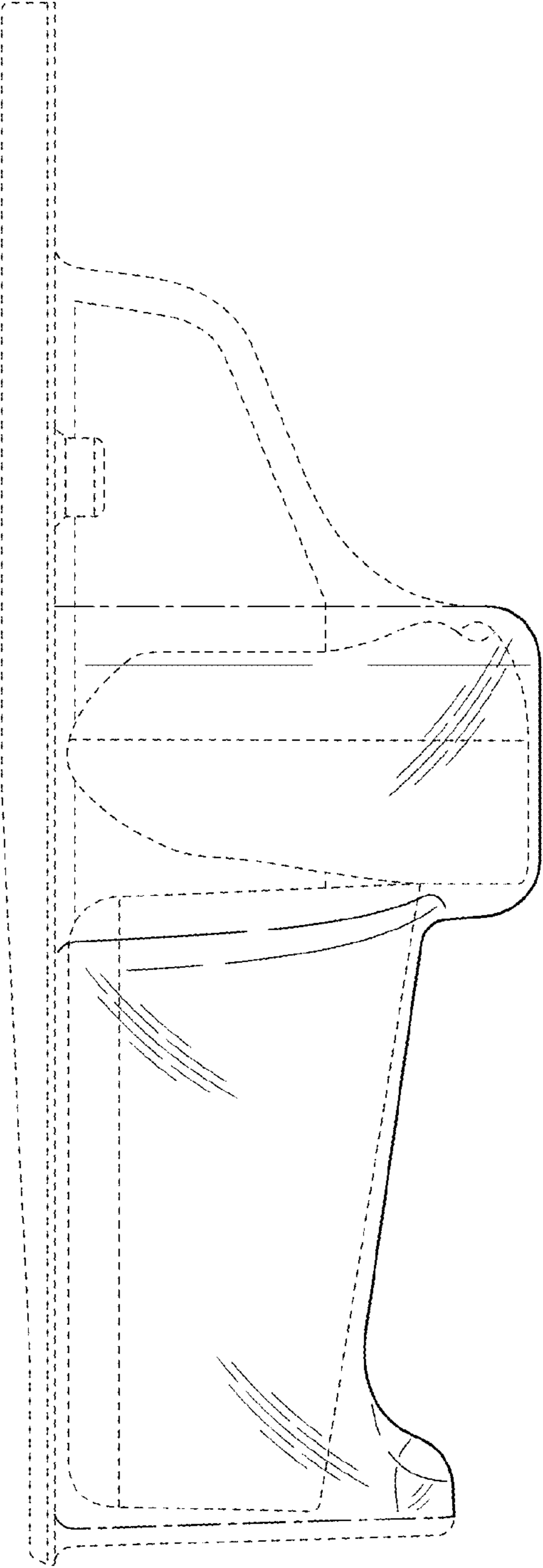


FIG. 5

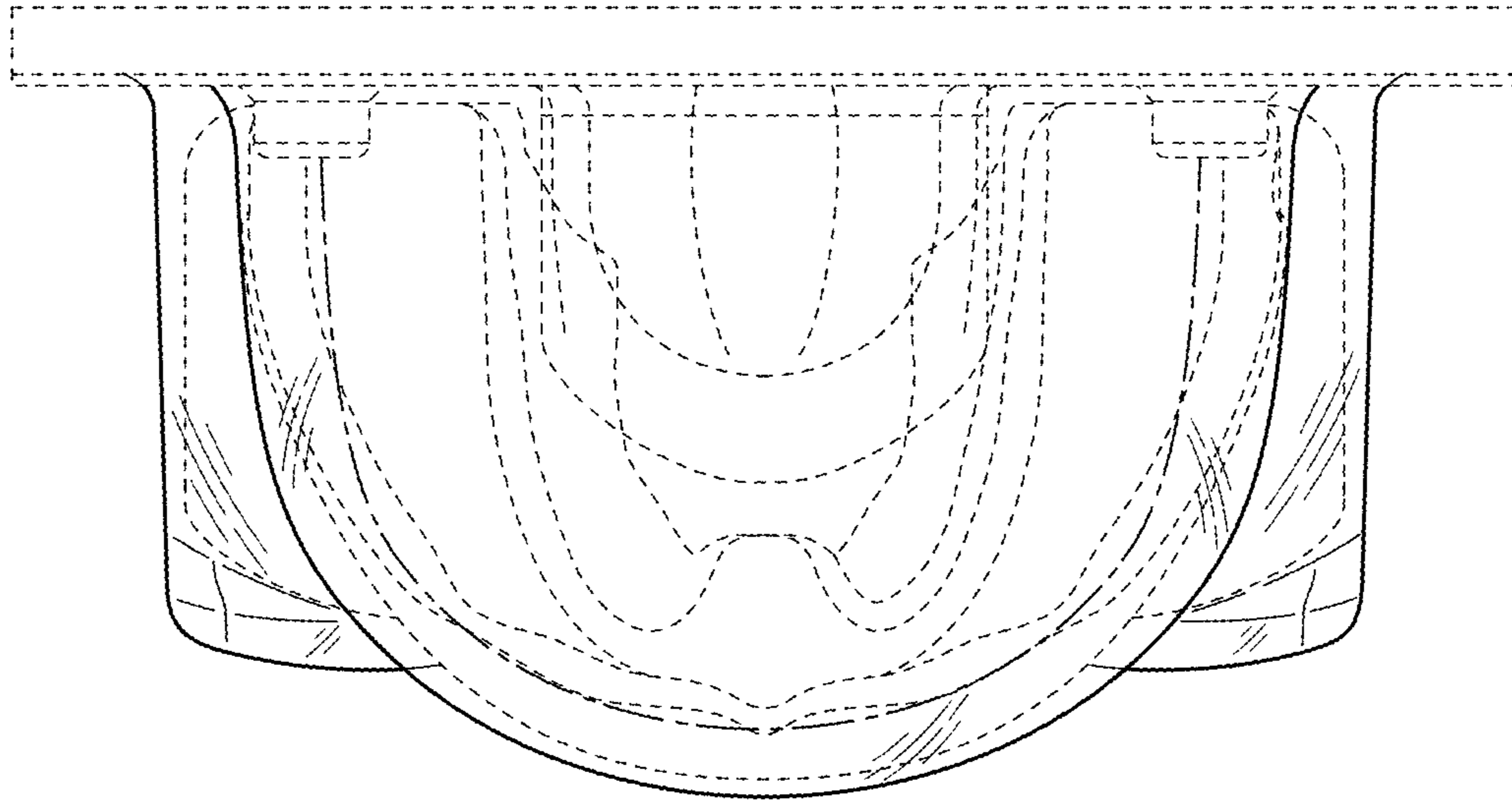


FIG. 6

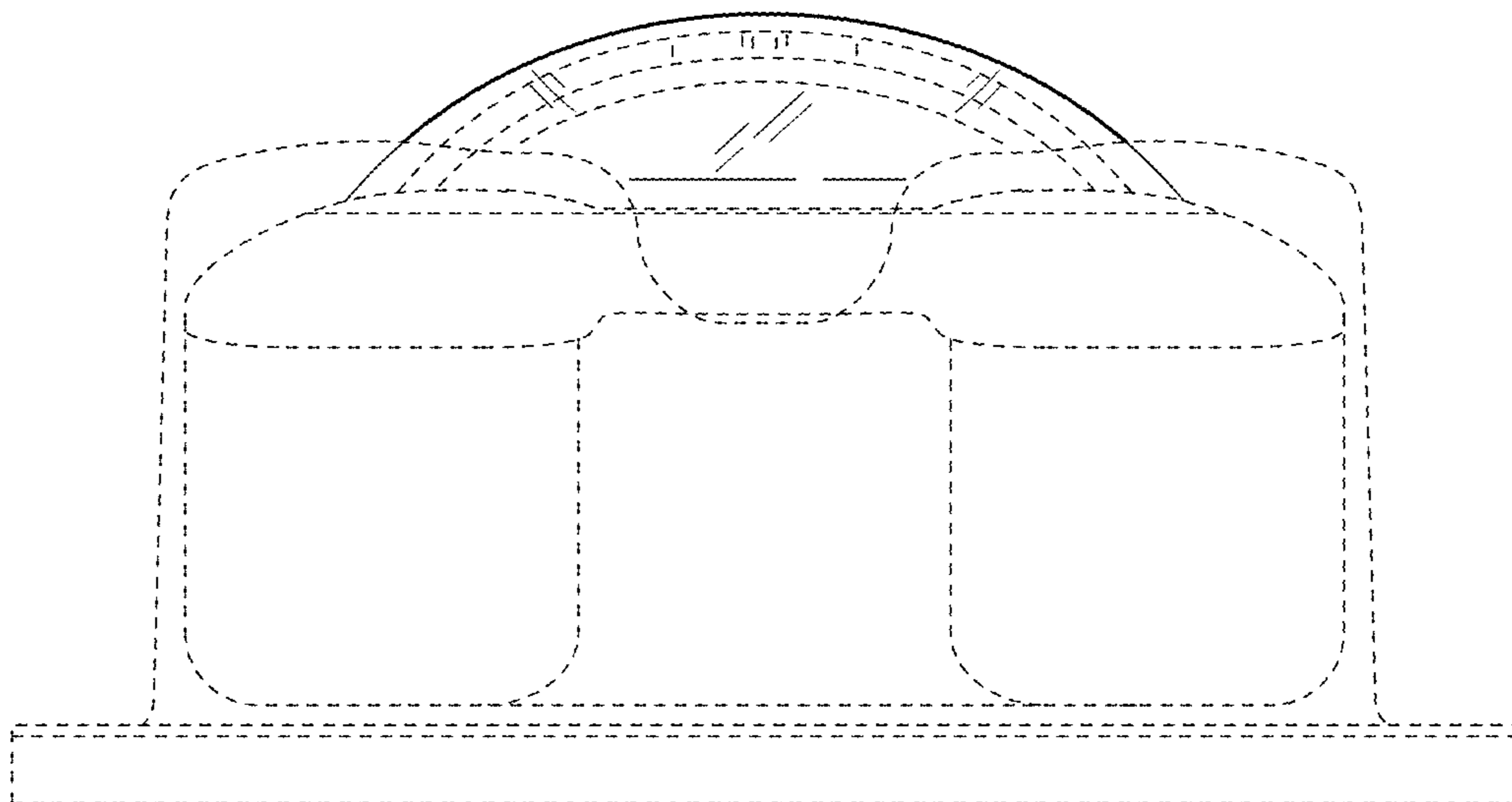


FIG. 7