

US00D871204S

(12) **United States Design Patent** (10) **Patent No.:** **US D871,204 S**
Park (45) **Date of Patent:** **** Dec. 31, 2019**

(54) **TRANSPARENT PACKAGING**

(71) Applicant: **Don Park**, Carlstadt, NJ (US)

(72) Inventor: **Don Park**, Carlstadt, NJ (US)

(**) Term: **15 Years**

(21) Appl. No.: **29/665,314**

(22) Filed: **Oct. 2, 2018**

(51) **LOC (12) Cl.** **09-01**

(52) **U.S. Cl.**
USPC **D9/415; D9/418**

(58) **Field of Classification Search**
USPC **D9/414-434**
See application file for complete search history.

(56) **References Cited**

U.S. PATENT DOCUMENTS

3,157,280	A *	11/1964	Perdue	B65D 75/366 D9/415
4,687,129	A *	8/1987	Cugley	B65D 43/162 206/470
5,353,935	A *	10/1994	Yeager	B65D 75/366 206/470
5,899,333	A *	5/1999	Williams	B65D 75/366 206/469
6,016,914	A *	1/2000	Gustafson	B65D 75/366 206/461
6,053,321	A *	4/2000	Kayser	B65D 43/162 206/470
6,409,569	B1 *	6/2002	Boone	B65D 75/22 206/5
D551,545	S *	9/2007	Tamemasa	B65D 75/22 D9/415
D606,392	S *	12/2009	Prevost	B65D 43/162 D9/415

(Continued)

Primary Examiner — Sandra L Morris

(74) *Attorney, Agent, or Firm* — John H. Choi & Associates

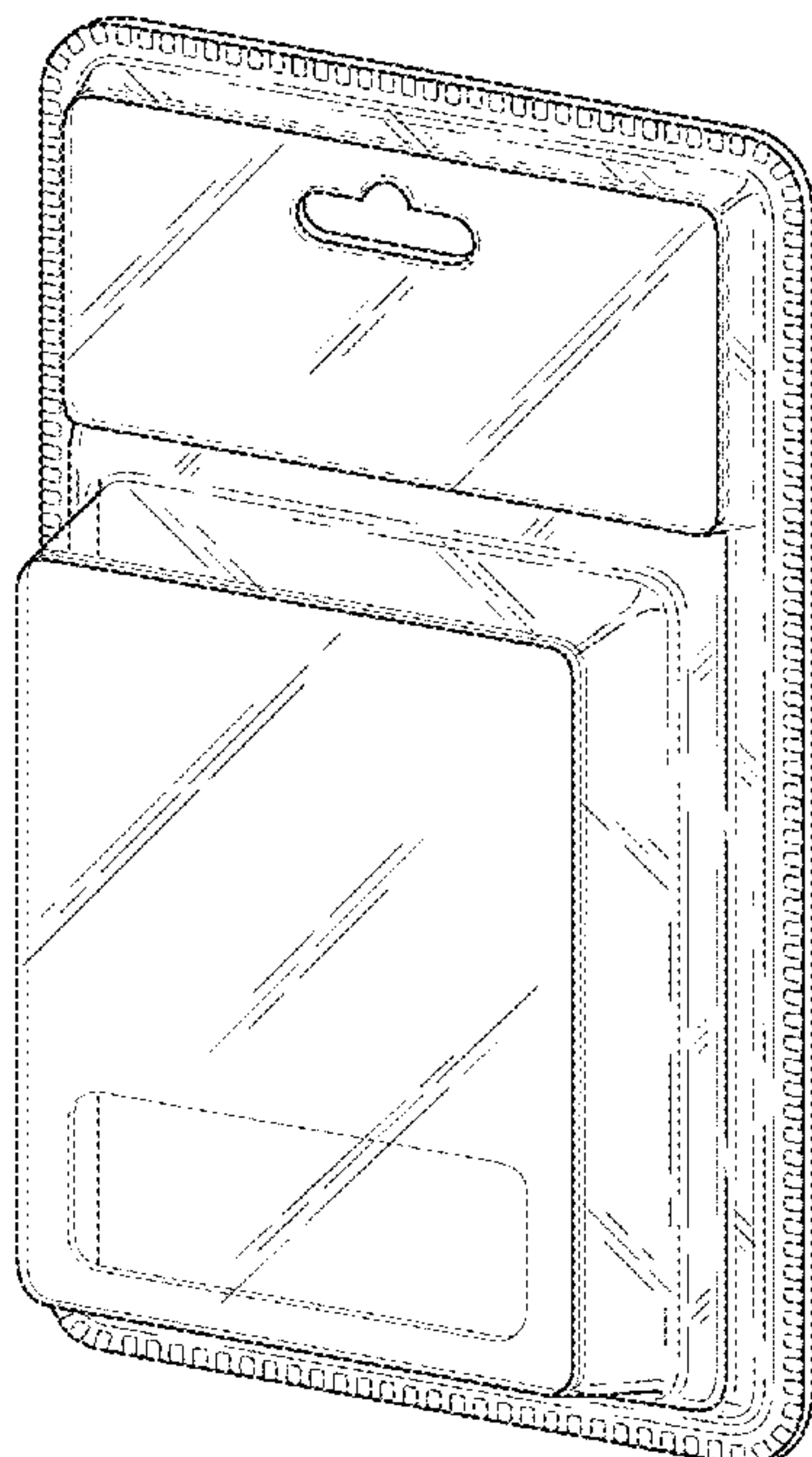
(57) **CLAIM**

The ornamental design for a transparent packaging, as shown and described.

DESCRIPTION

FIG. 1 is a top front side perspective view of an embodiment of the transparent packaging showing my new design; FIG. 2 is a front plan view of the packaging of FIG. 1; FIG. 3 is a rear plan view of the packaging of FIG. 1; FIG. 4 is a right side view of the packaging of FIG. 1, with the left side view being a mirror image of the right side view; FIG. 5 is a top plan view of the packaging of FIG. 1; FIG. 6 is a bottom plan view of the packaging of FIG. 1; FIG. 7 is another right side view of the packaging of FIG. 1, with a portion indicated by a circle; FIG. 8 is an enlarged view of the encircled portion of FIG. 7; FIG. 9 is a top front side perspective view of an alternative embodiment of the transparent packaging showing my new design, with a pair of dash-dot-dot broken lines representing indeterminate length; FIG. 10 is a front plan view of the packaging of FIG. 9; FIG. 11 is a rear plan view of the packaging of FIG. 9; FIG. 12 is a right side view of the packaging of FIG. 9 with the left side view being a mirror image of the right side view; FIG. 13 is a top plan view of the packaging of FIG. 9; and, FIG. 14 is a bottom plan view of the packaging of FIG. 9. The broken dashed lines in the figures depict portions of the transparent packaging that form no part of the claimed design.

1 Claim, 10 Drawing Sheets



(56)

References Cited

U.S. PATENT DOCUMENTS

D673,036 S	*	12/2012	Wolf	B65D 75/366 D9/420
D673,037 S	*	12/2012	Wolf	B65D 75/366 D9/420
D733,552 S	*	7/2015	Whalen, Jr.	B65D 75/366 D9/415
D818,817 S	*	5/2018	Baker	B65D 43/162 D9/415
D822,479 S	*	7/2018	Baker	B65D 75/366 D9/415

* cited by examiner

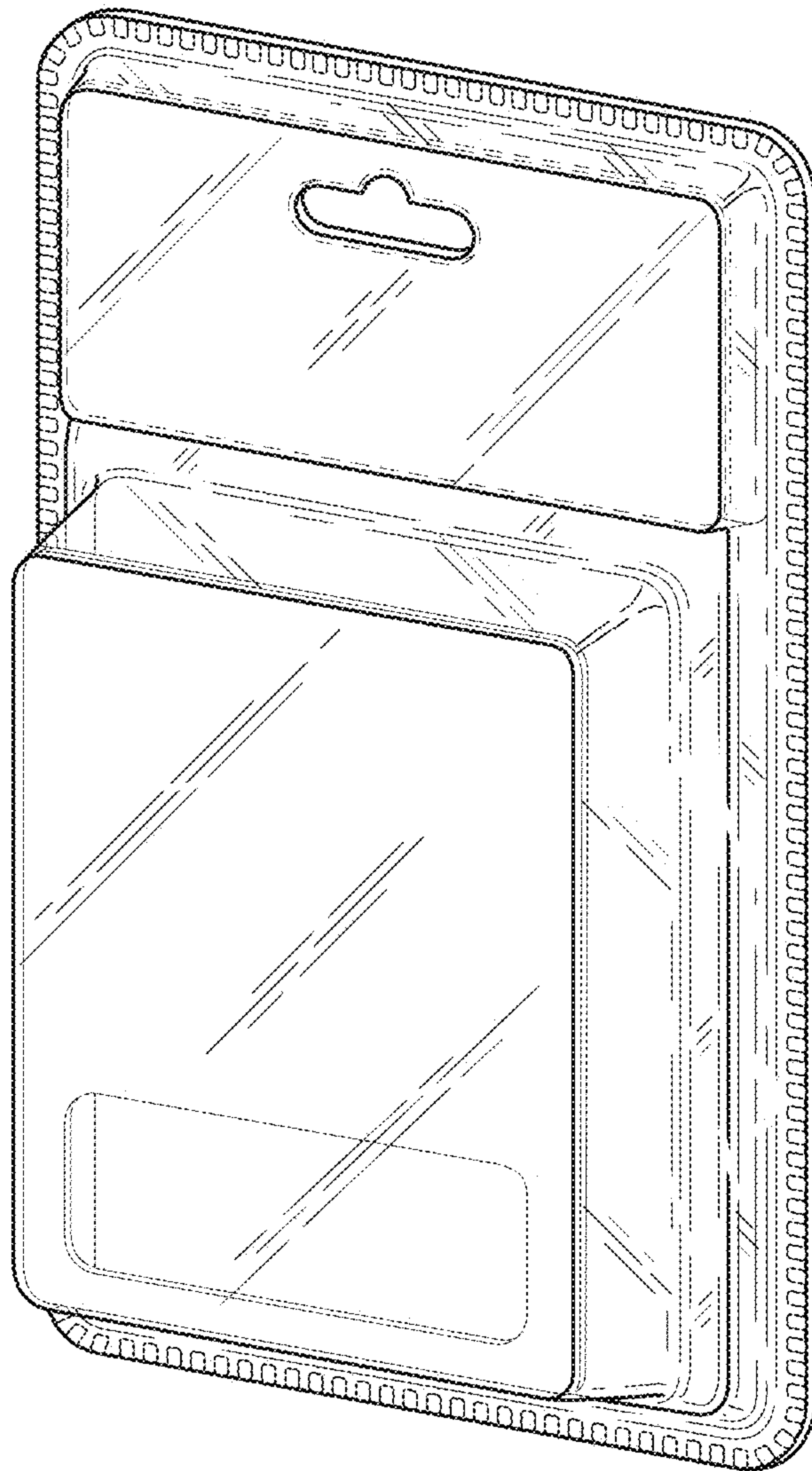


FIG. 1

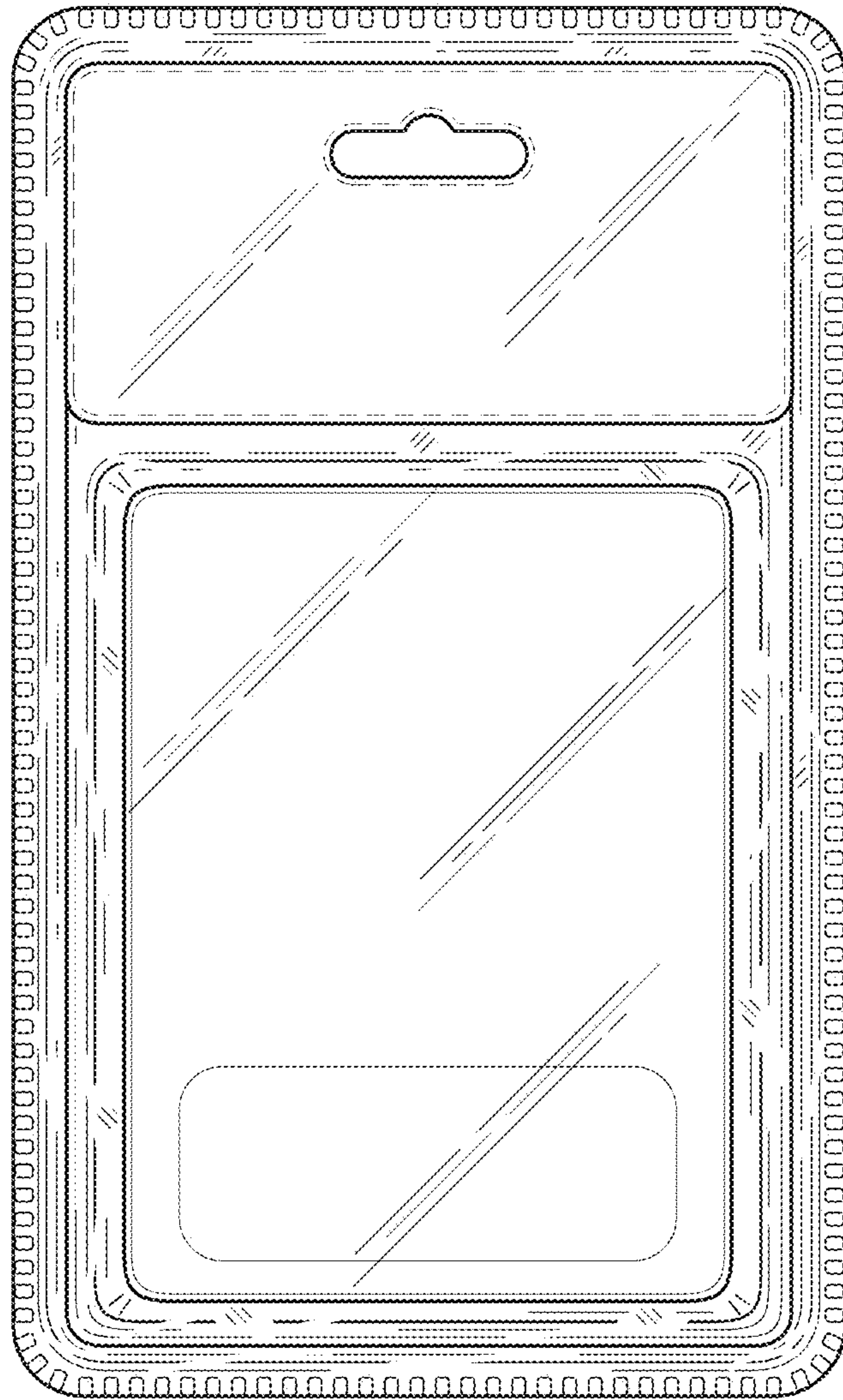


FIG. 2

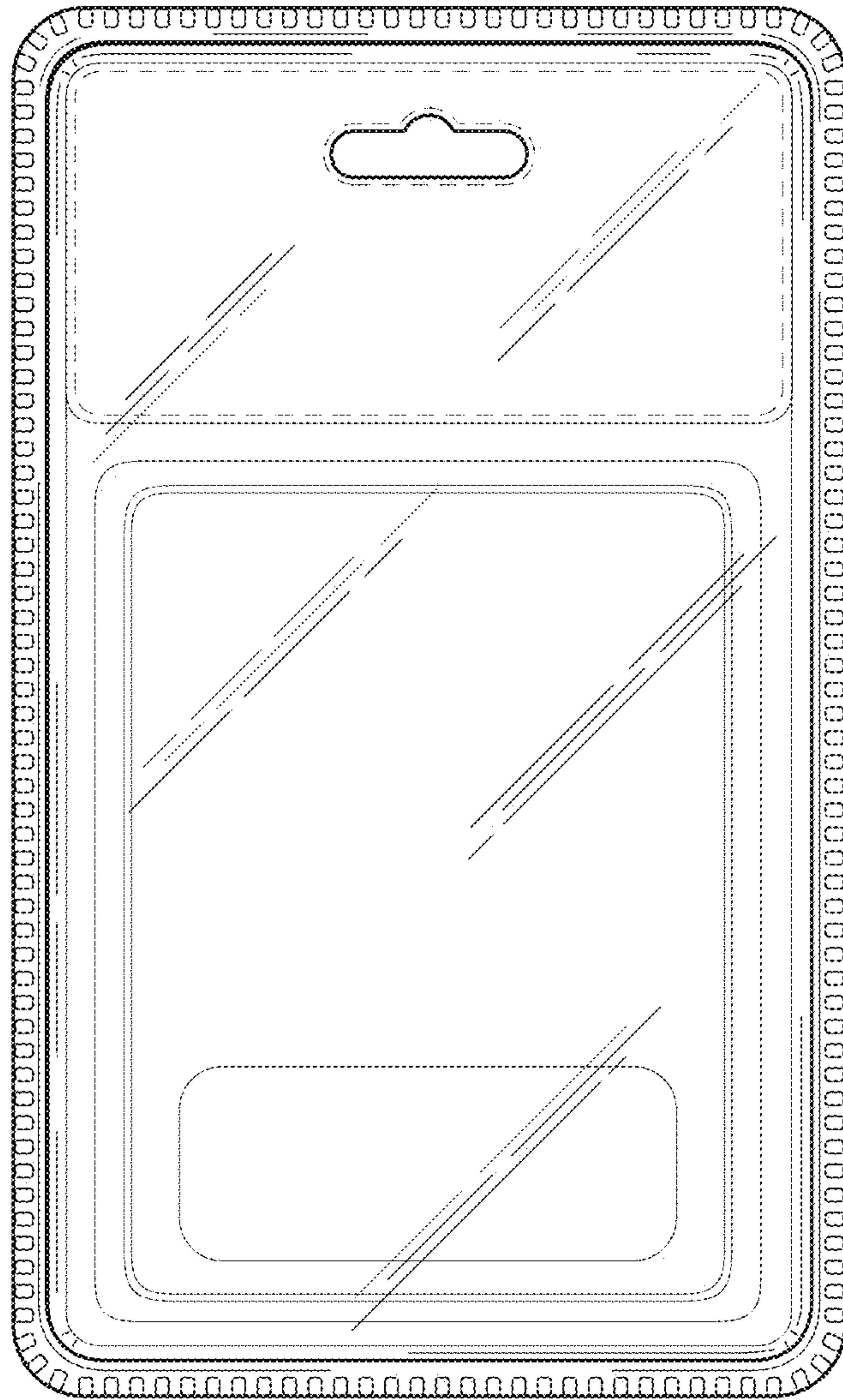


FIG. 3

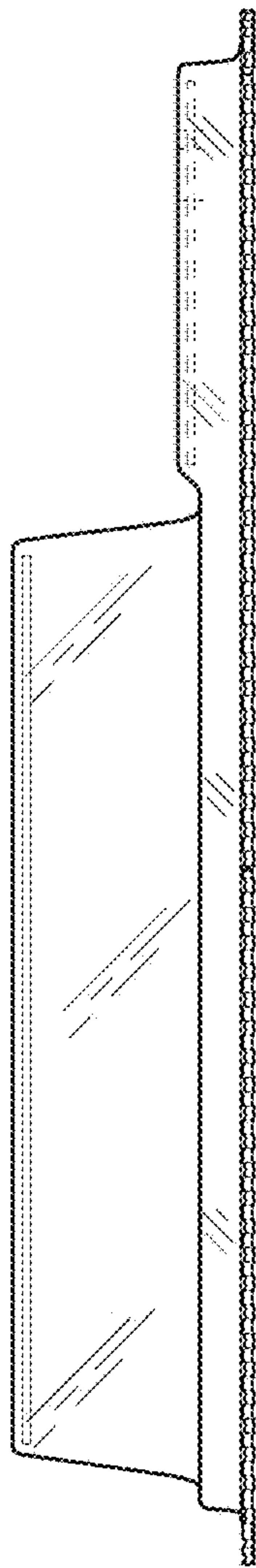


FIG. 4

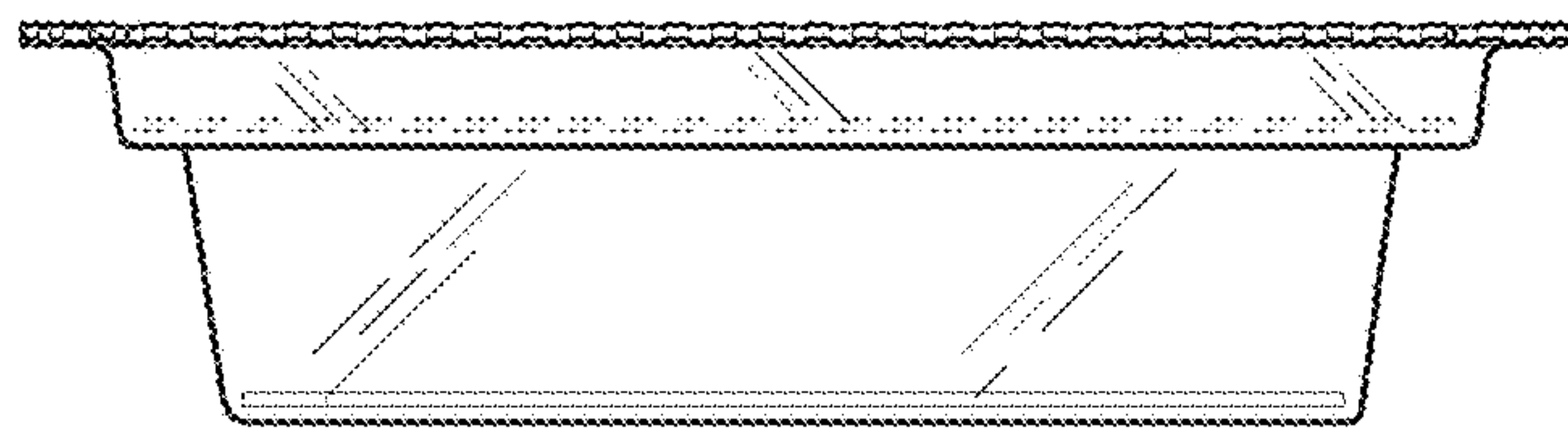


FIG. 5

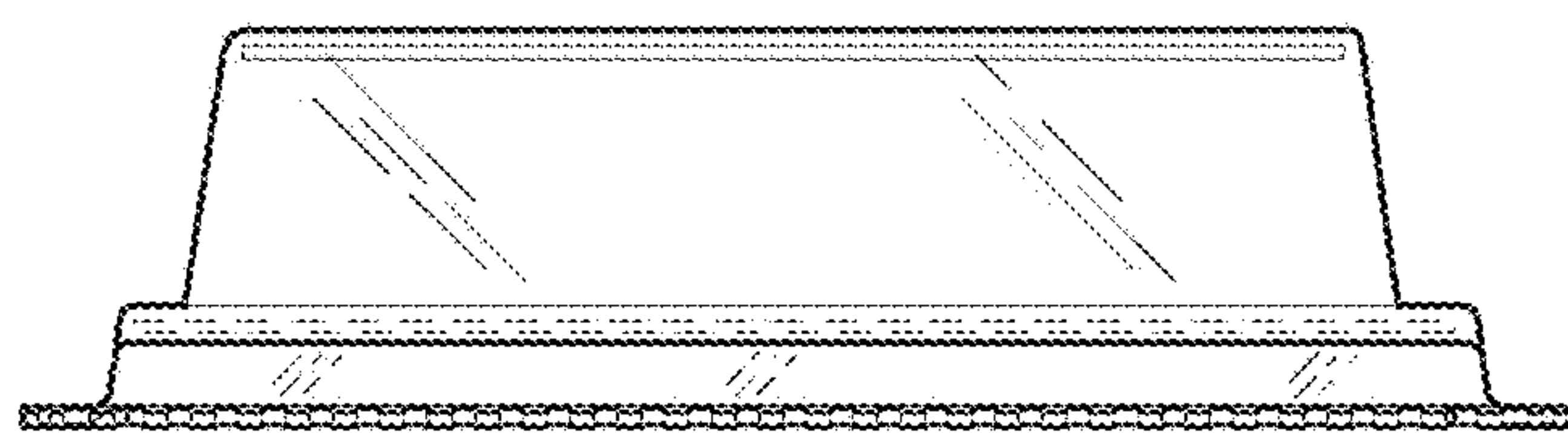


FIG. 6

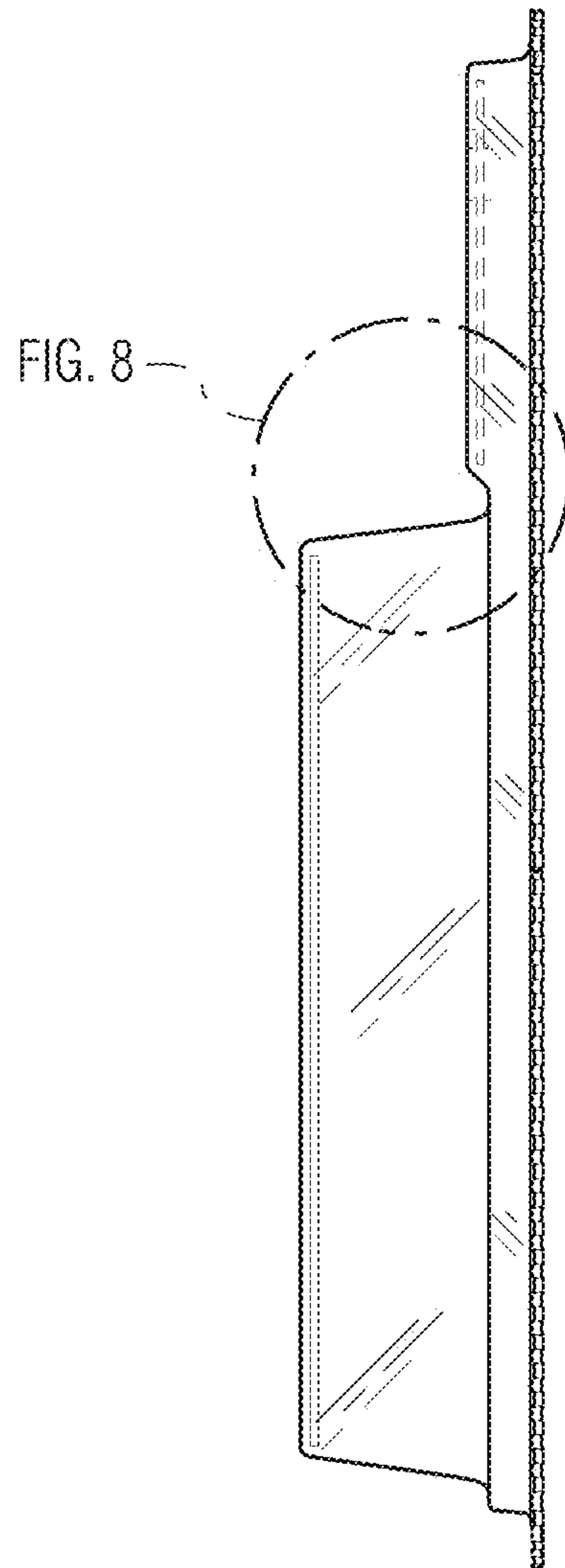


FIG. 7

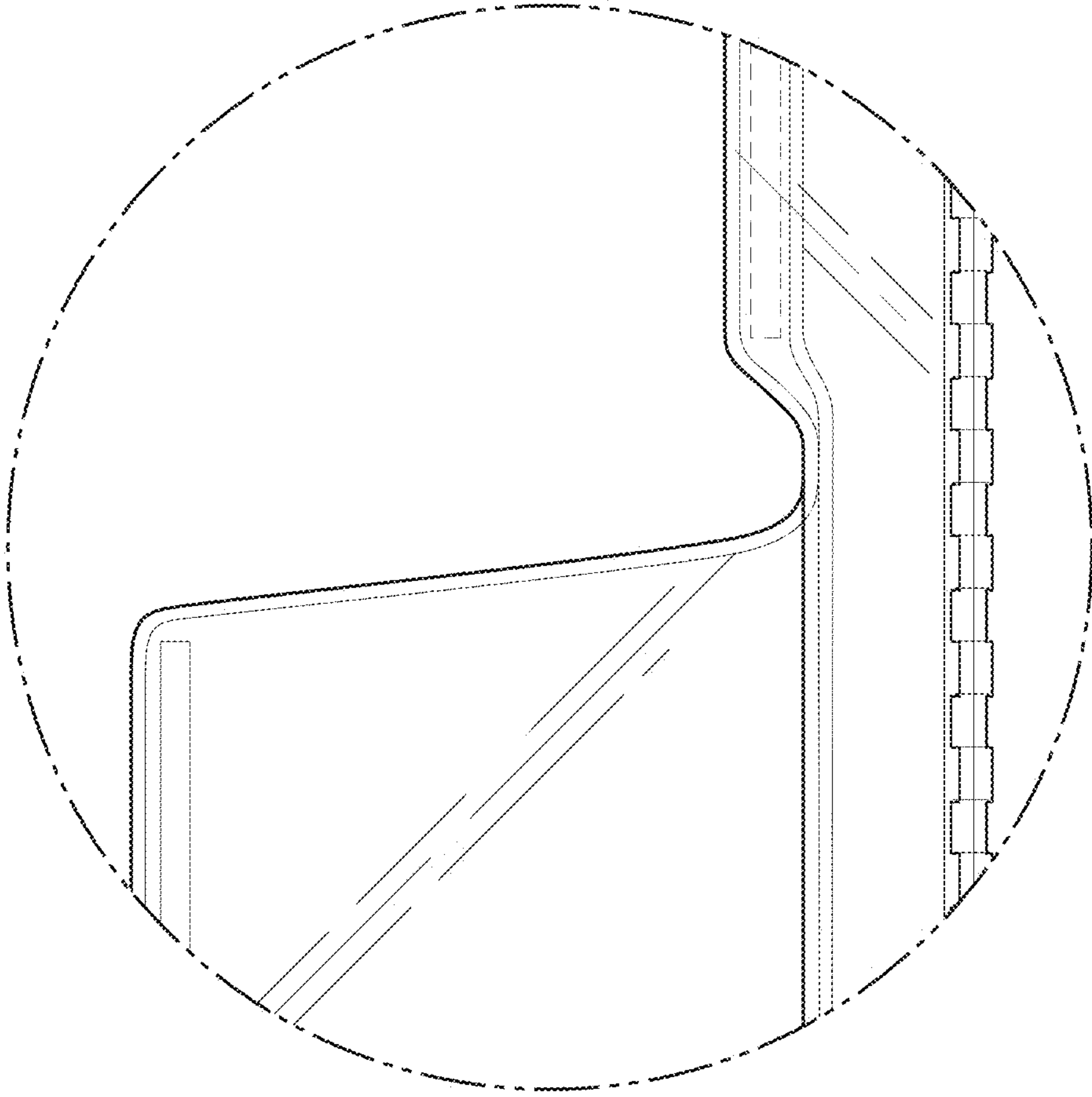


FIG. 8

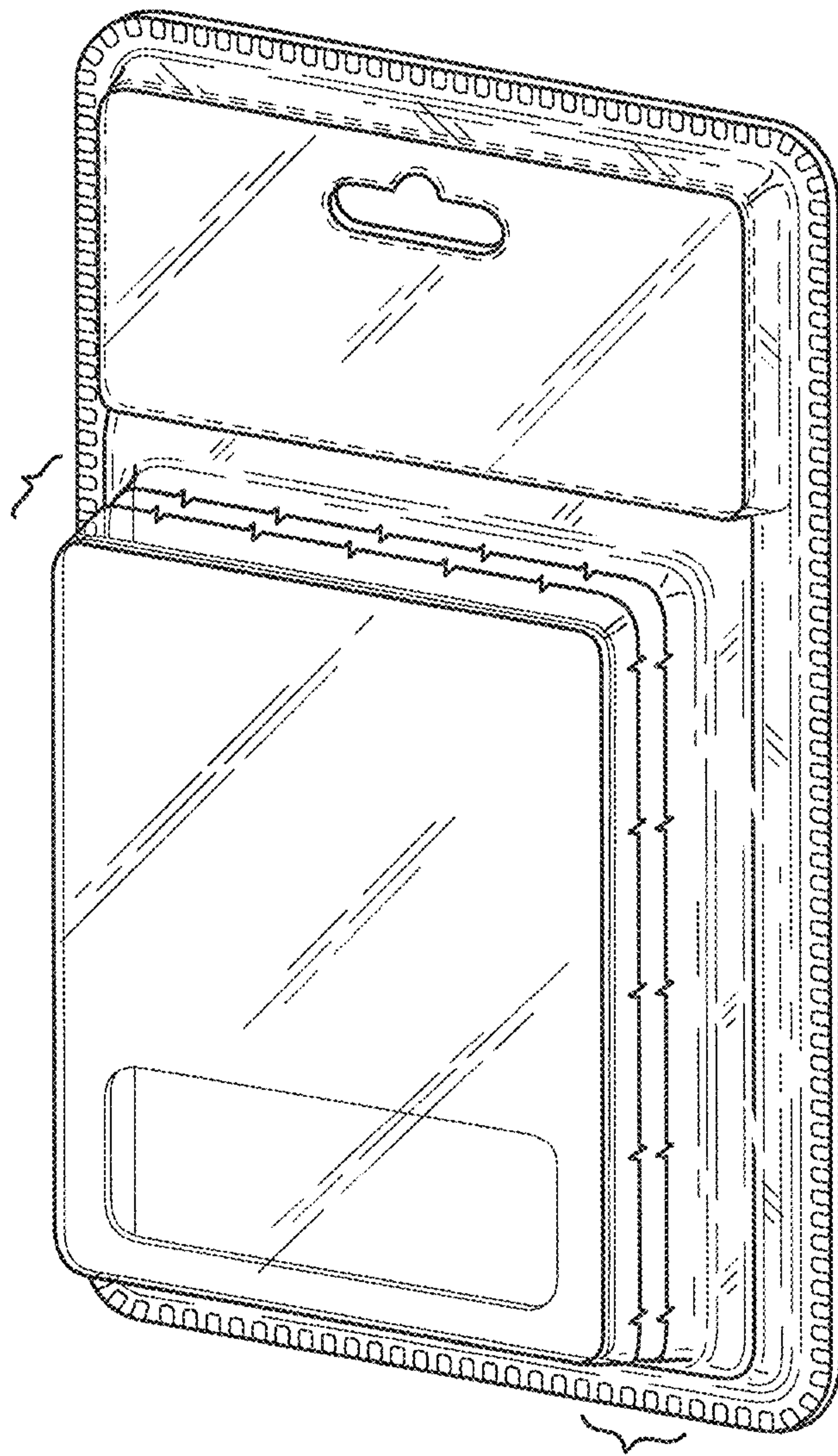


FIG. 9

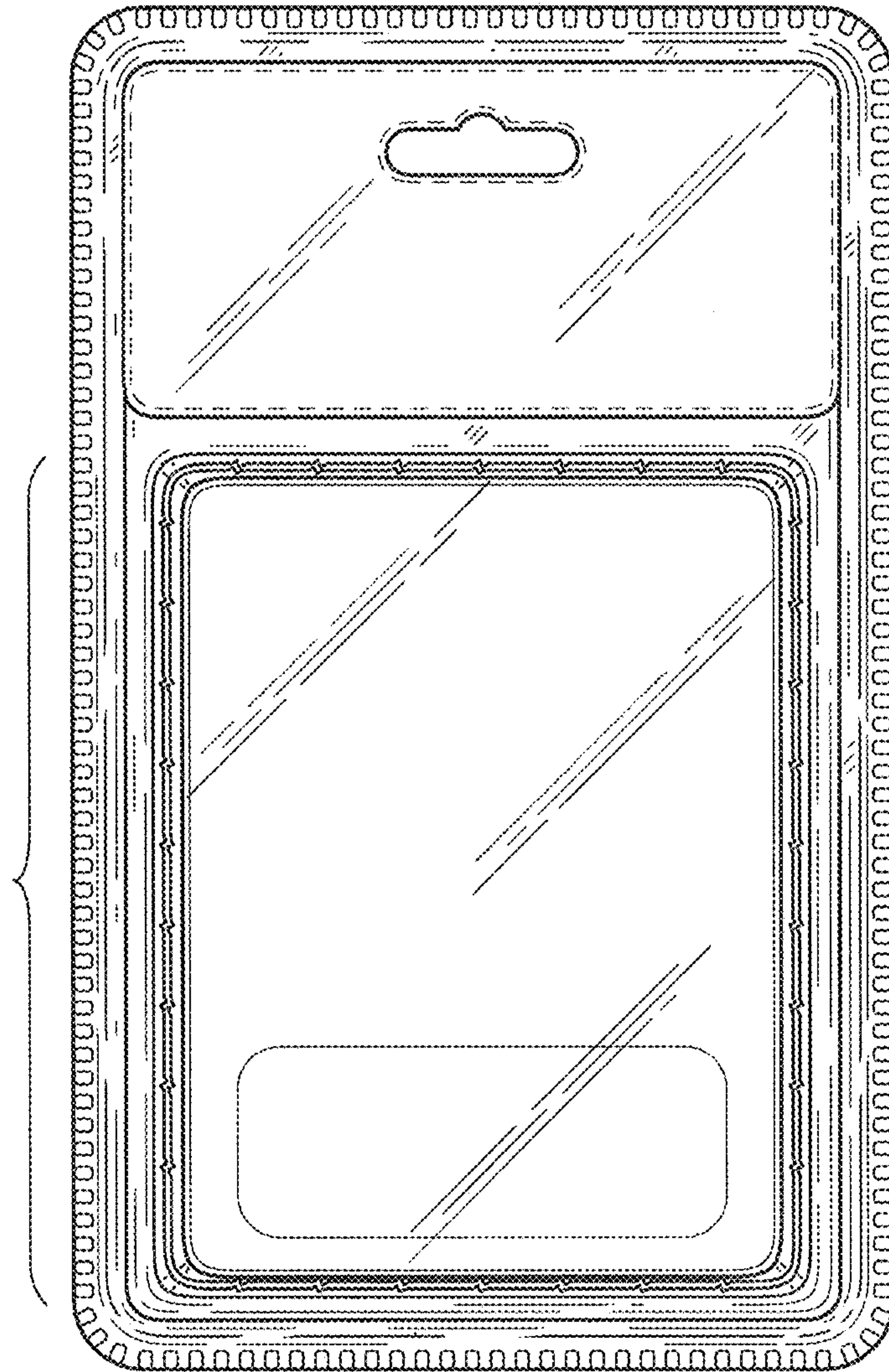


FIG. 10

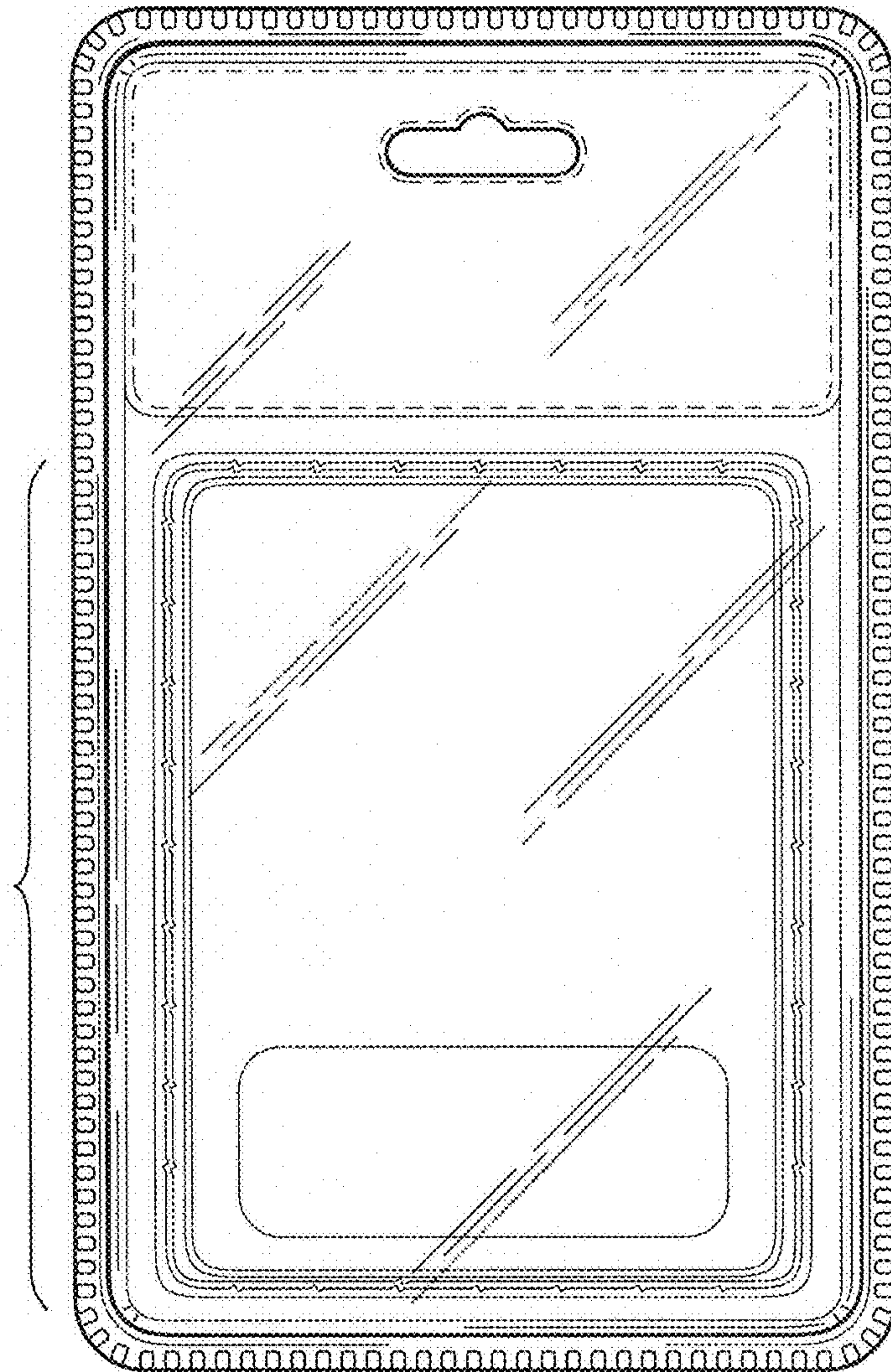


FIG. 11

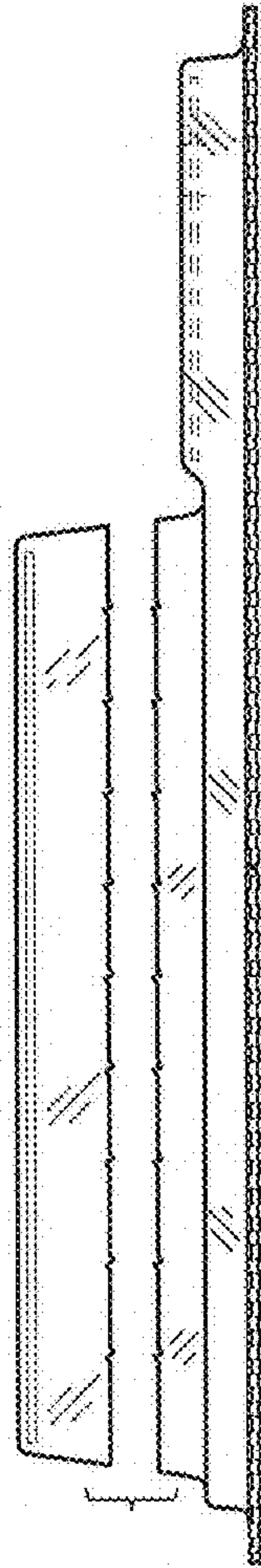


FIG. 12

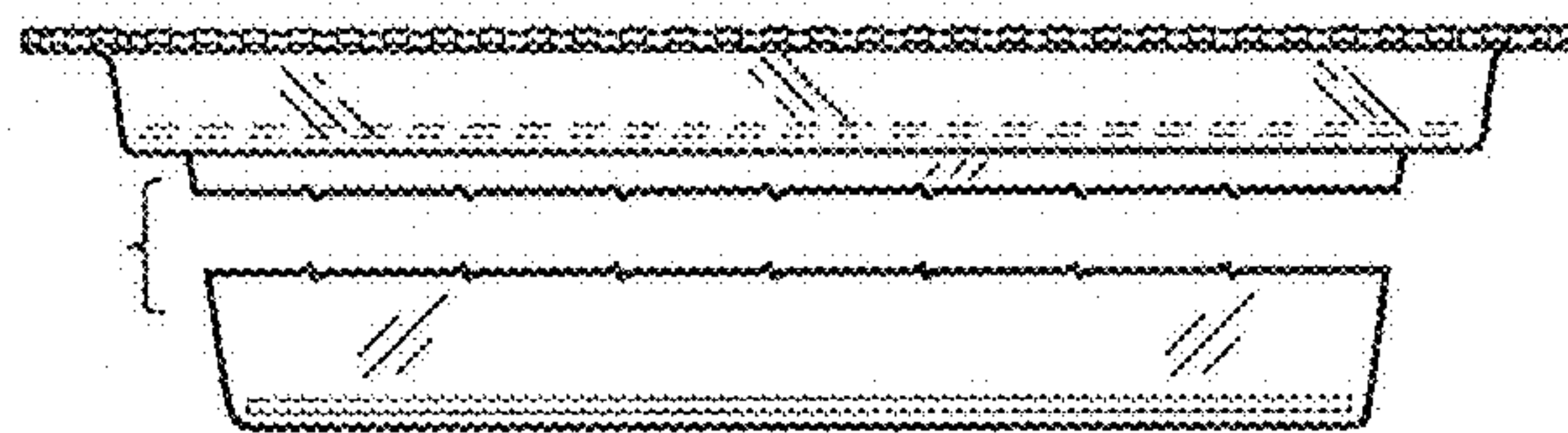


FIG. 13

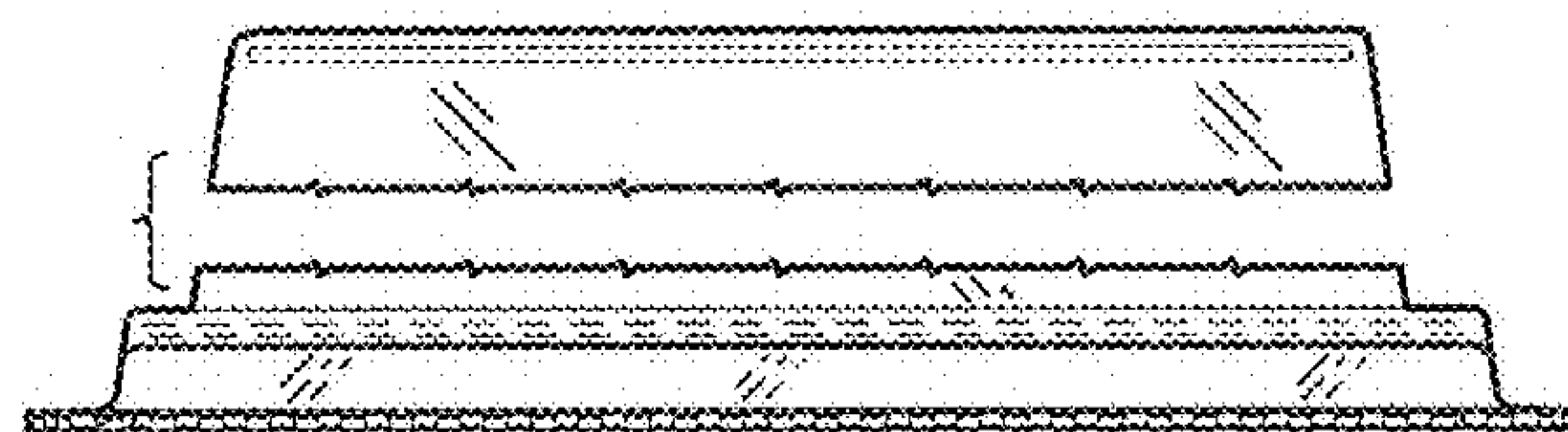


FIG. 14