



US00D871202S

(12) **United States Design Patent**
Quinabo

(10) **Patent No.:** **US D871,202 S**

(45) **Date of Patent:** **** Dec. 31, 2019**

(54) **DOOR JAMMER**

(71) Applicant: **Noa Quinabo**, Pukalani, HI (US)

(72) Inventor: **Noa Quinabo**, Pukalani, HI (US)

(**) Term: **15 Years**

(21) Appl. No.: **29/615,082**

(22) Filed: **Aug. 25, 2017**

(51) **LOC (12) Cl.** **08-09**

(52) **U.S. Cl.**
USPC **D8/402**

(58) **Field of Classification Search**
USPC ... D8/47, 374, 402, 330-331, 354, 400, 499
CPC E05C 17/50; E05C 17/54; E05C 17/44;
E05C 17/46
See application file for complete search history.

(56) **References Cited**

U.S. PATENT DOCUMENTS

5,281,949 A	1/1994	Durley et al.	
D368,021 S *	3/1996	Mikiel	D8/402
6,564,424 B1	5/2003	Audisio	
7,014,229 B1 *	3/2006	Stelmach	E05C 17/44 292/342
7,640,627 B2	1/2010	Lowen et al.	
7,644,964 B2 *	1/2010	Bushey	E05C 17/54 16/82
7,904,992 B2 *	3/2011	Agster	E05C 17/025 16/374
8,410,918 B1	4/2013	Stroud	
8,752,332 B2	6/2014	Thiele et al.	
9,115,517 B2 *	8/2015	Clay	E05C 17/54
D856,128 S *	8/2019	Kazutaka	D8/402

2013/0069375 A1 3/2013 Jeffries

* cited by examiner

Primary Examiner — Keli L Hill

Assistant Examiner — Harold E Blackwell, II

(74) *Attorney, Agent, or Firm* — Peter A. Hurley; Richard L. Miller

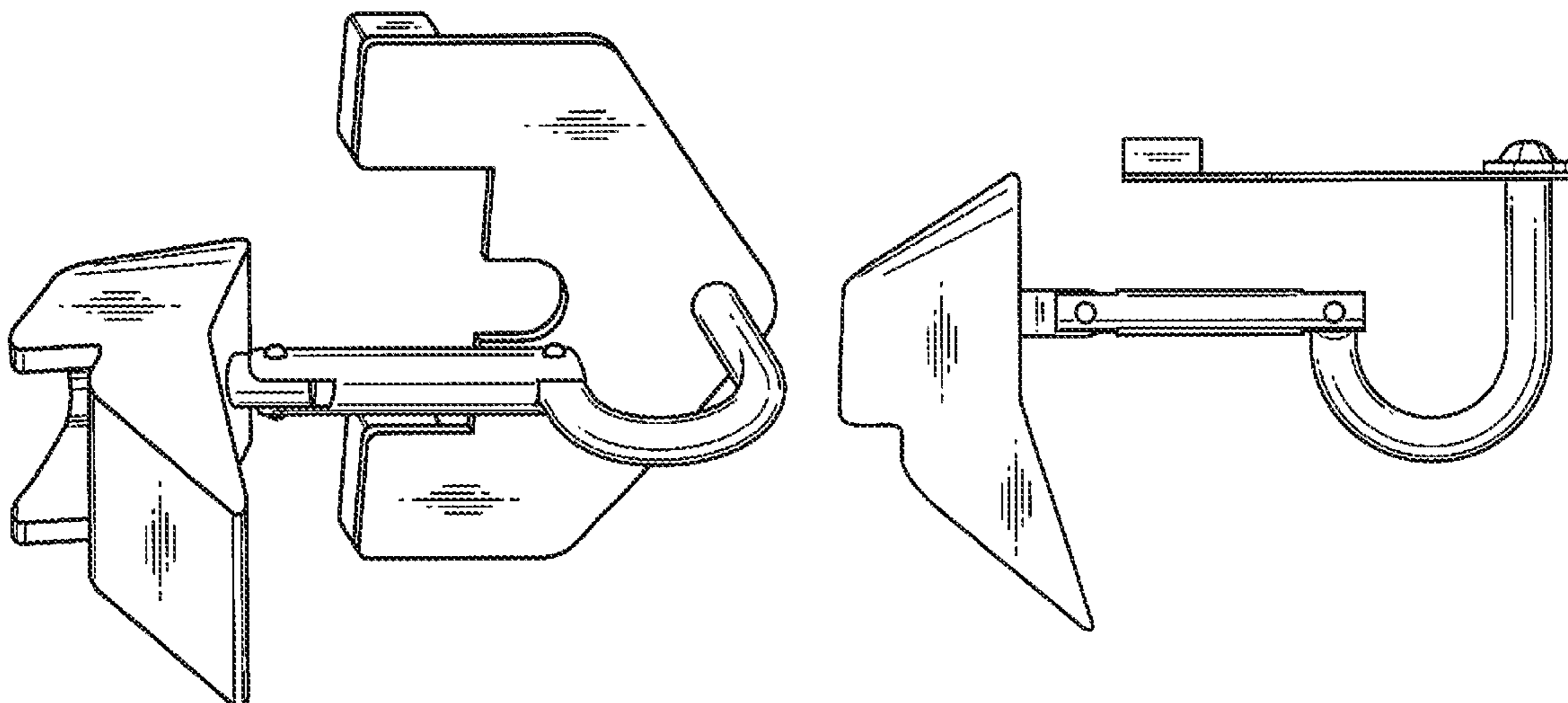
(57) **CLAIM**

The ornamental design for a door jammer, as shown and described.

DESCRIPTION

FIG. 1 is a top left front perspective view of a door jammer showing my new design;
 FIG. 2 is a top plan view thereof taken in the direction of arrow 2 in FIG. 7, it being understood that a bottom plan view is a mirror image thereof;
 FIG. 3 is a left side elevational view thereof, taken in the direction of arrow 3 in FIG. 7;
 FIG. 4 is a right side elevational view thereof, taken in the direction of arrow 4 in FIG. 7.
 FIG. 5 is a front perspective view thereof, taken in the direction of arrow 5 in FIG. 7;
 FIG. 6 is a rear perspective view thereof, taken in the direction of arrow 6 in FIG. 7; and,
 FIG. 7 is a view identical to FIG. 1 with descriptive legend directional arrows included which are necessary for better understanding of the drawing in accordance with 37 CFR 1.84(o) and appropriate with good engineering practices, so as to best indicate in what directions previous views are taken so that nothing regarding the design sought to be patented is ambiguous or left to conjecture.

1 Claim, 4 Drawing Sheets



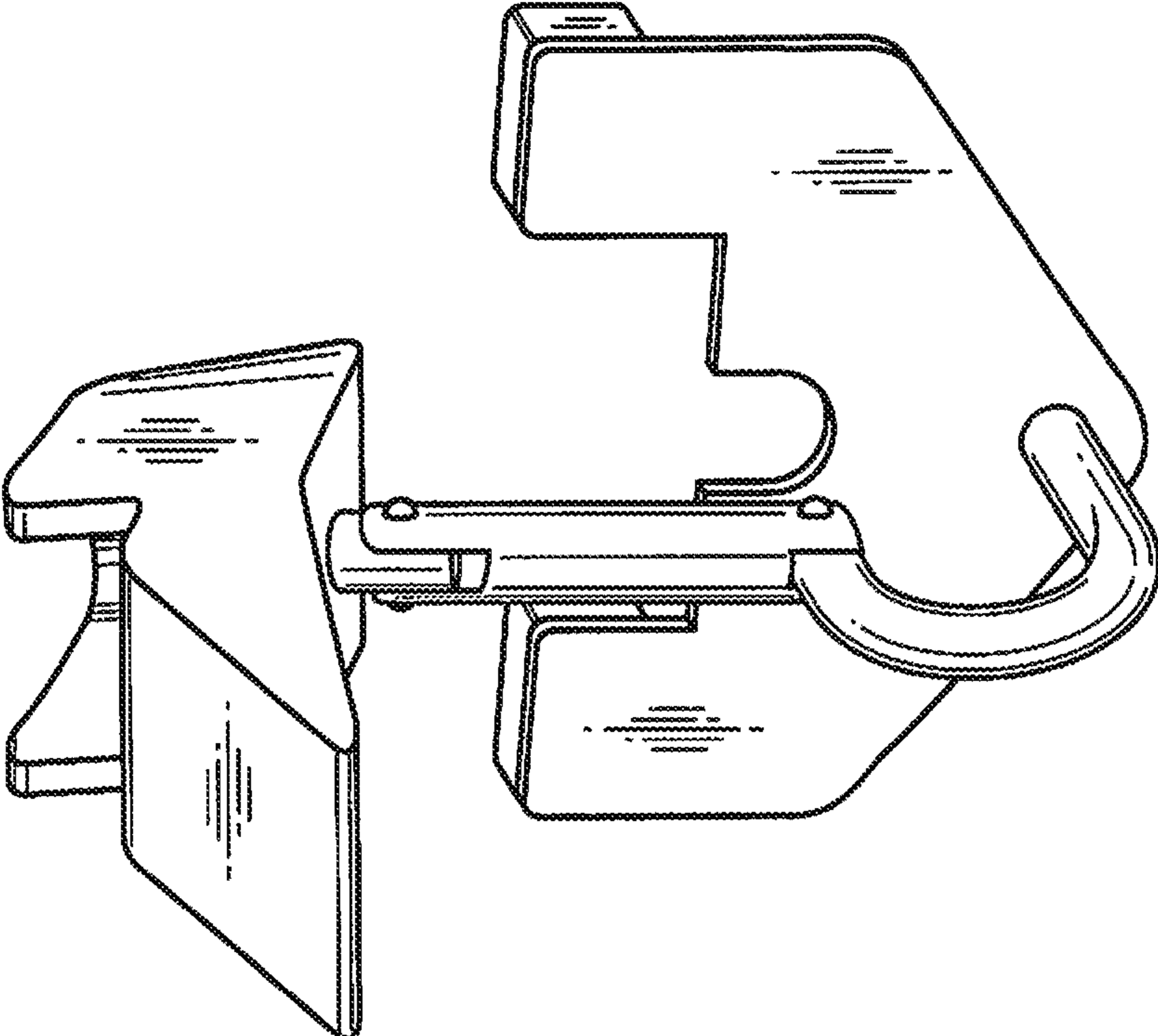


FIG. 1

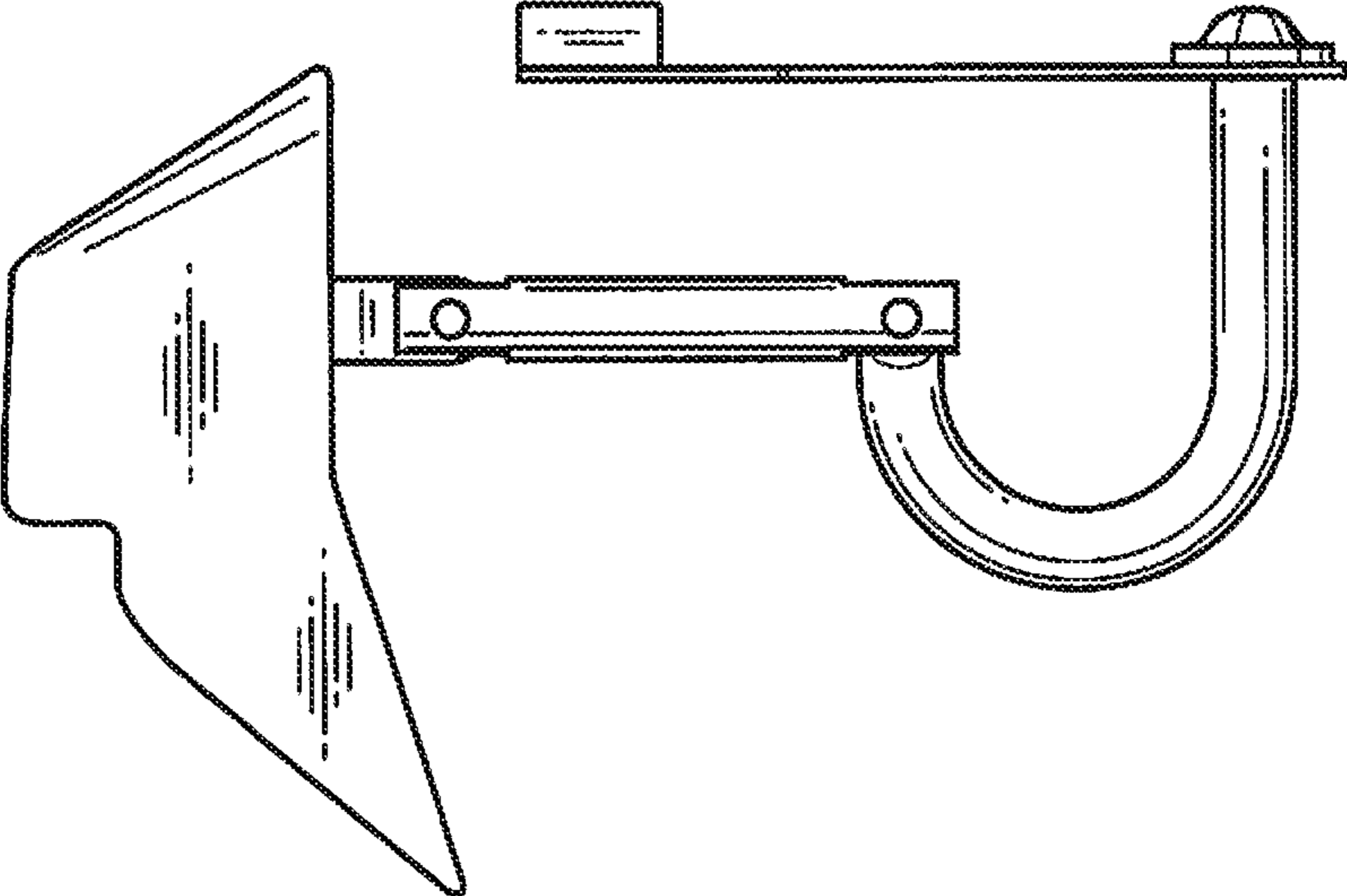


FIG. 2

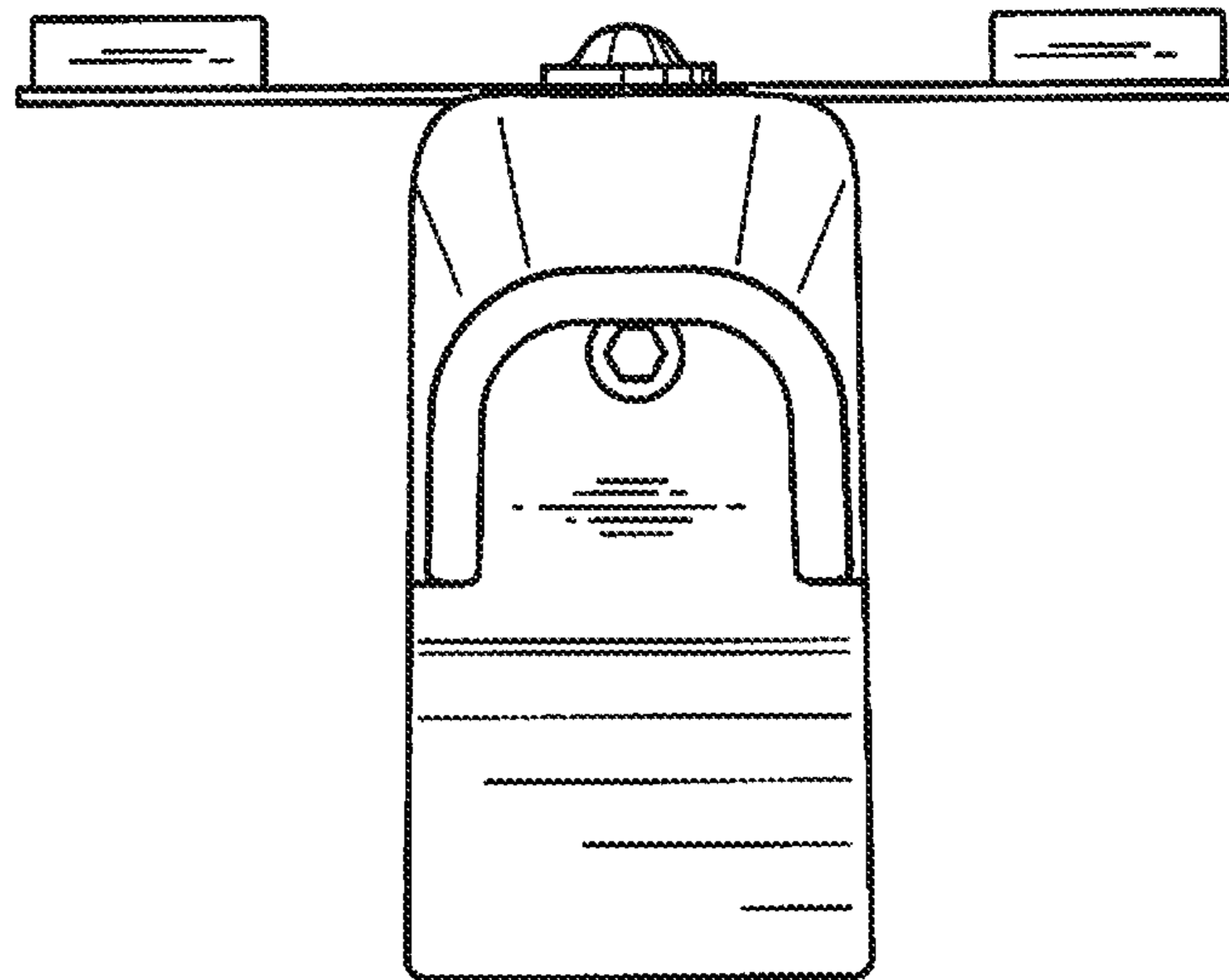


FIG. 3

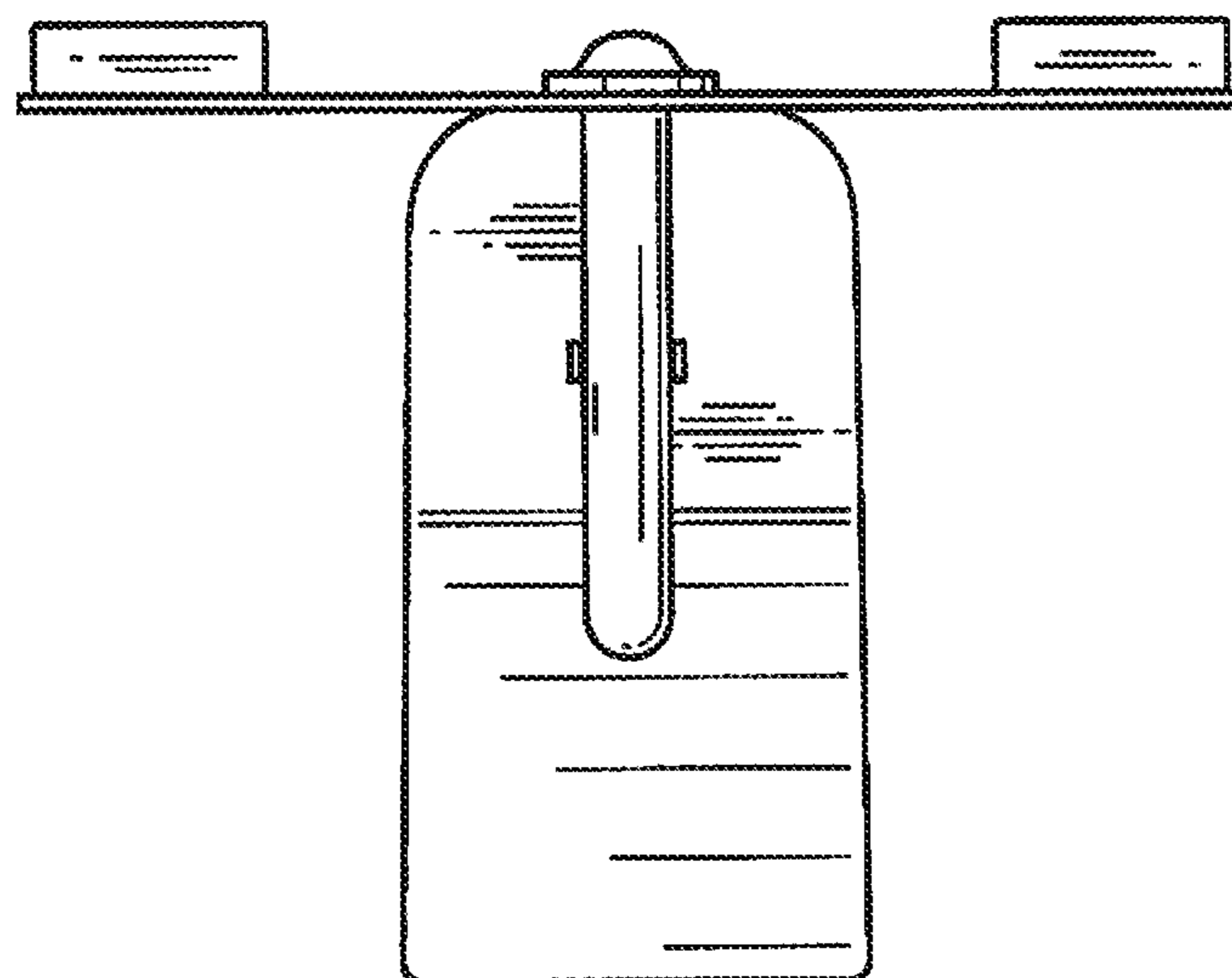


FIG. 4

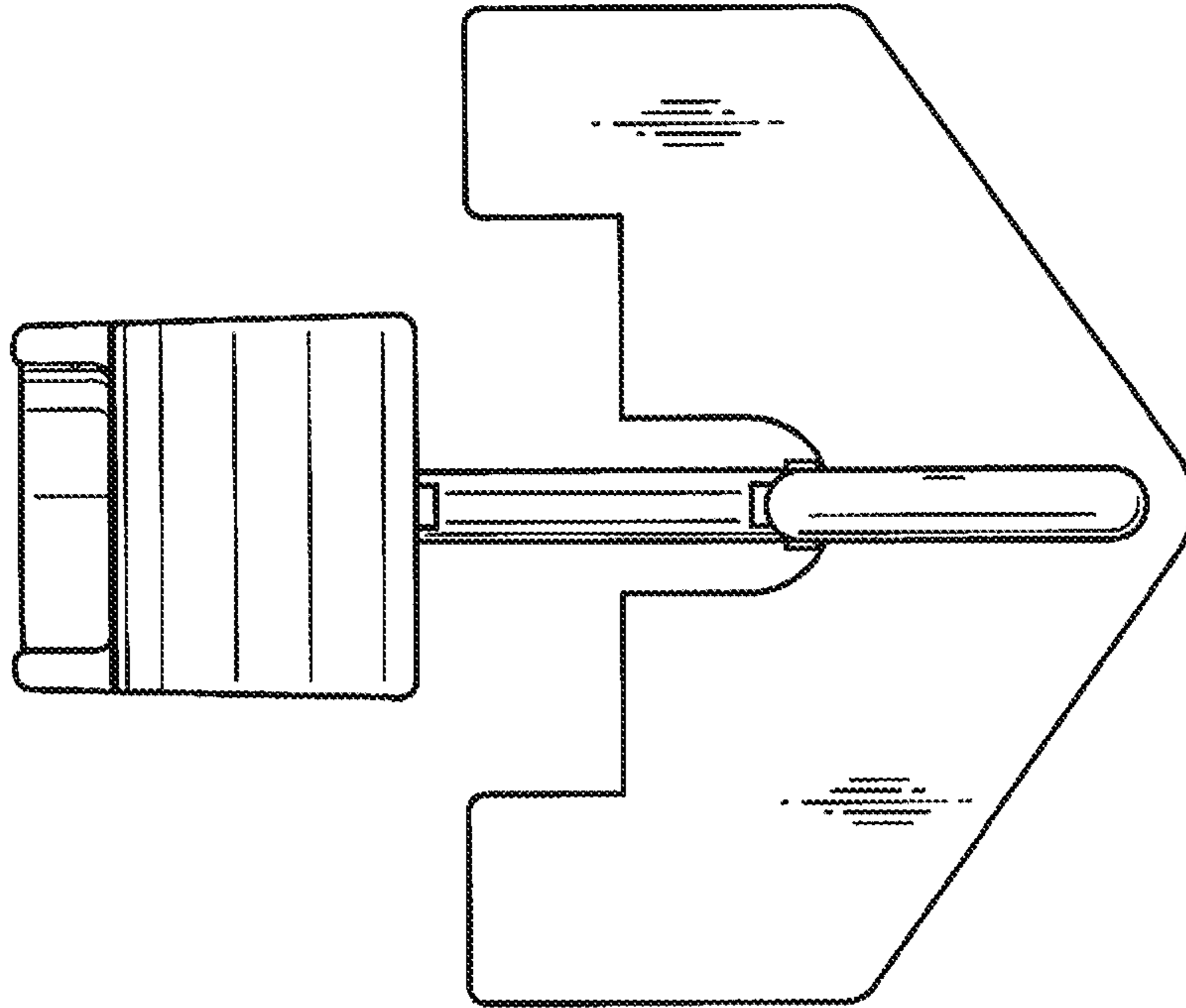


FIG. 5

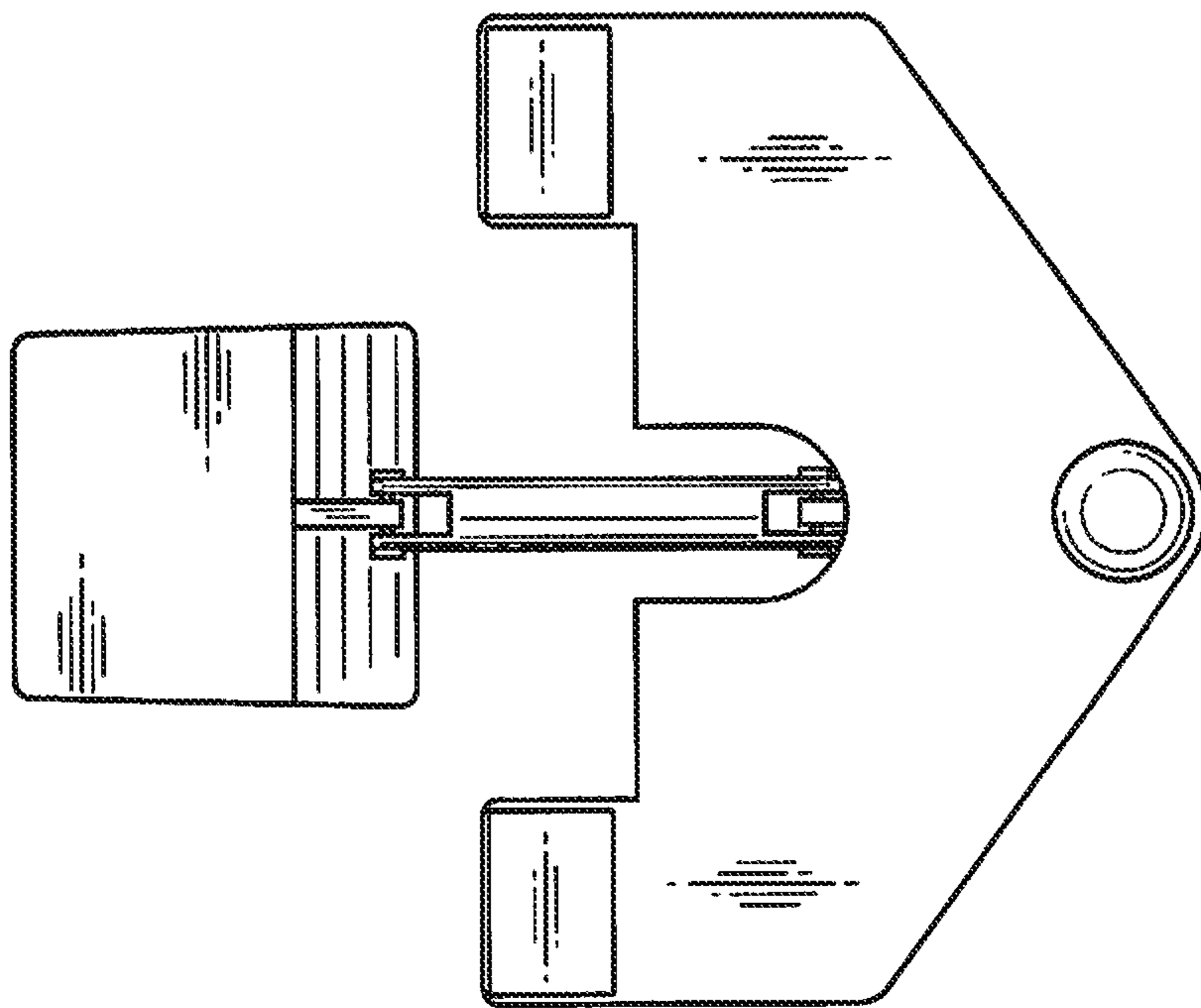


FIG. 6

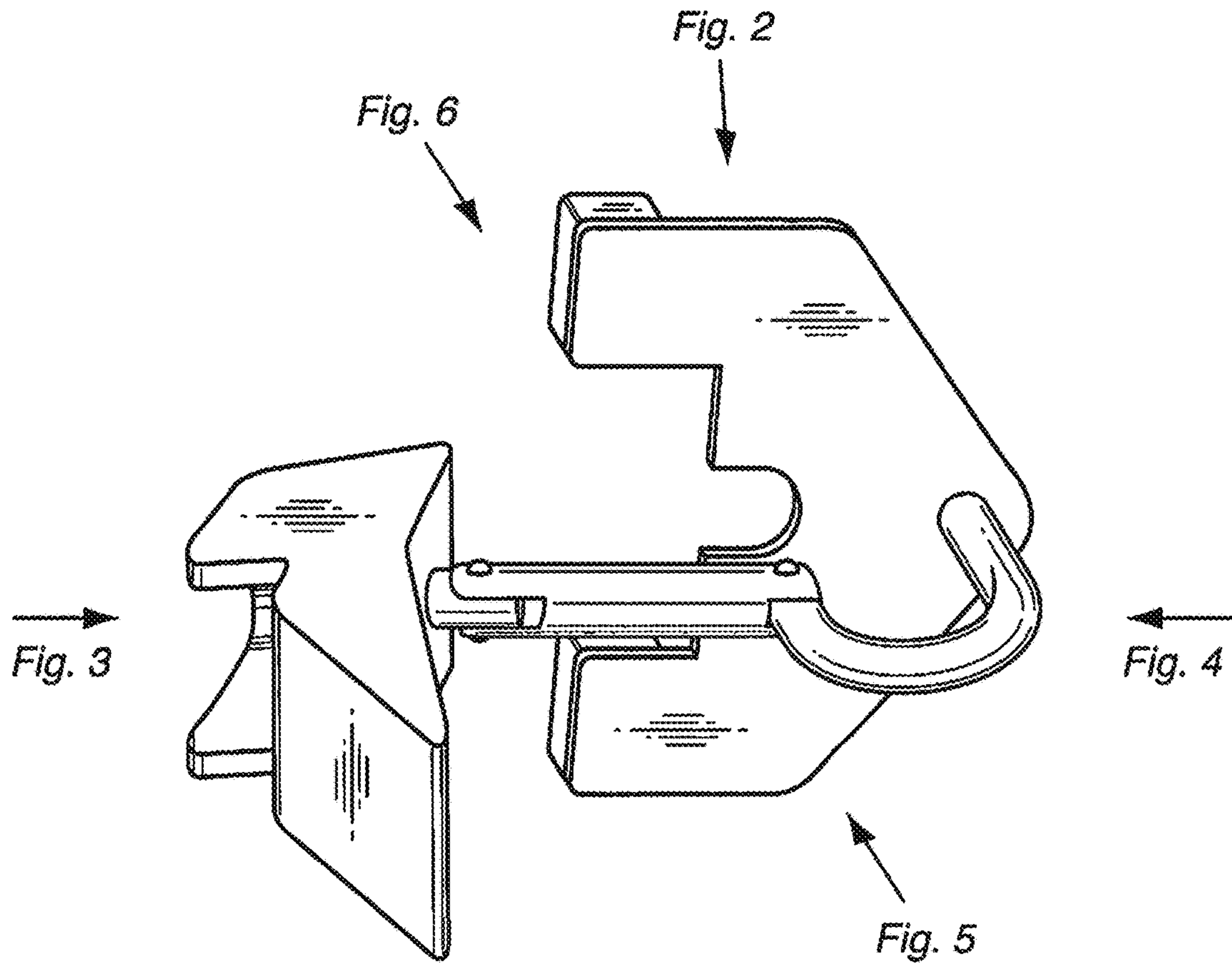


FIG. 7