

US00D871197S

(12) **United States Design Patent**  
**Huneau et al.**

(10) **Patent No.:** **US D871,197 S**

(45) **Date of Patent:** **\*\* Dec. 31, 2019**

(54) **HOSE REEL**

(71) Applicant: **CPA POOL PRODUCTS, INC.**,  
Blainville (CA)

(72) Inventors: **Alexandre Huneau**, Laval (CA); **Eric Belleau**, Outremont (CA); **Johnathan Côté**, Boucherville (CA)

(73) Assignee: **CPA POOL PRODUCTS, INC.**,  
Blainville (CA)

(\*\*) Term: **15 Years**

(21) Appl. No.: **29/635,792**

(22) Filed: **Feb. 2, 2018**

(51) **LOC (12) Cl.** ..... **08-05**

(52) **U.S. Cl.**  
USPC ..... **D8/359**

(58) **Field of Classification Search**  
USPC ..... D08/373, 358, 359, 354, 71, 330, 336,  
D08/351, 356, 360.1, 363, 364, 367, 370,  
D08/372, 379, 381, 382, 395, 396;  
D06/349, 352; D09/426, 502, 750;  
D10/72, 73, 89; D11/79, 93; D13/103,  
D13/107; D19/67; D21/673, 674, 675,  
D21/839, 840; D25/19, 62, 68, 69;  
D26/40, 49; D29/122, 124; D30/153,  
D30/155

CPC ..... B65H 75/40; B65H 75/4407; B65H  
75/4471; B65H 2701/34; B65H 2701/32;  
B65H 2511/142; B65H 29/008; B65H  
2701/33; B65H 54/585; B65H 51/22;  
B65H 75/08; B65H 75/02; B65H  
2301/41485; B65H 75/4468; B65H  
2301/414323; B65H 2301/414325; B65H  
16/02; B65H 2301/4131; B65H 75/403;  
B65H 75/441; B65D 85/66; B65D 85/67;  
B66D 3/006; B66D 3/18; B66D 3/26;  
B66D 3/02; B66D 3/14; B63B 21/18;  
B63B 21/26; B65B 57/005; A61G  
7/1051; A61G 7/1061; B66B 11/08;

A62C 33/04; B08B 2203/0276; B21C  
47/28; H02G 11/02; A01K 89/003; H04M  
1/15; A01D 34/822; A47L 9/26;  
(Continued)

(56) **References Cited**

**U.S. PATENT DOCUMENTS**

D349,039 S \* 7/1994 Goodman ..... D34/24  
D390,095 S \* 2/1998 Spear ..... D8/359  
(Continued)

**OTHER PUBLICATIONS**

Melnor 75' Flat Water Hose With Deluxe Reel (Certified Refur-  
bished), posted as early as Nov. 4, 2015, [retrieved Aug. 18, 2019].  
Retrieved from Internet, <URL: [https://www.amazon.com/melnor-  
flat-water-hose-deluxe/dp/b010bjisc6](https://www.amazon.com/melnor-flat-water-hose-deluxe/dp/b010bjisc6) >.\*

(Continued)

*Primary Examiner* — Karen E Kearney

*Assistant Examiner* — Kristin E Reed

(74) *Attorney, Agent, or Firm* — Hodgson Russ LLP

(57) **CLAIM**

The ornamental design for a hose reel, as shown and  
described.

**DESCRIPTION**

FIG. 1 is a front perspective view of a hose reel showing our  
new design;

FIG. 2 is a rear perspective view thereof;

FIG. 3 is a left side elevational view thereof;

FIG. 4 is a right side elevational view thereof;

FIG. 5 is a front elevational view thereof;

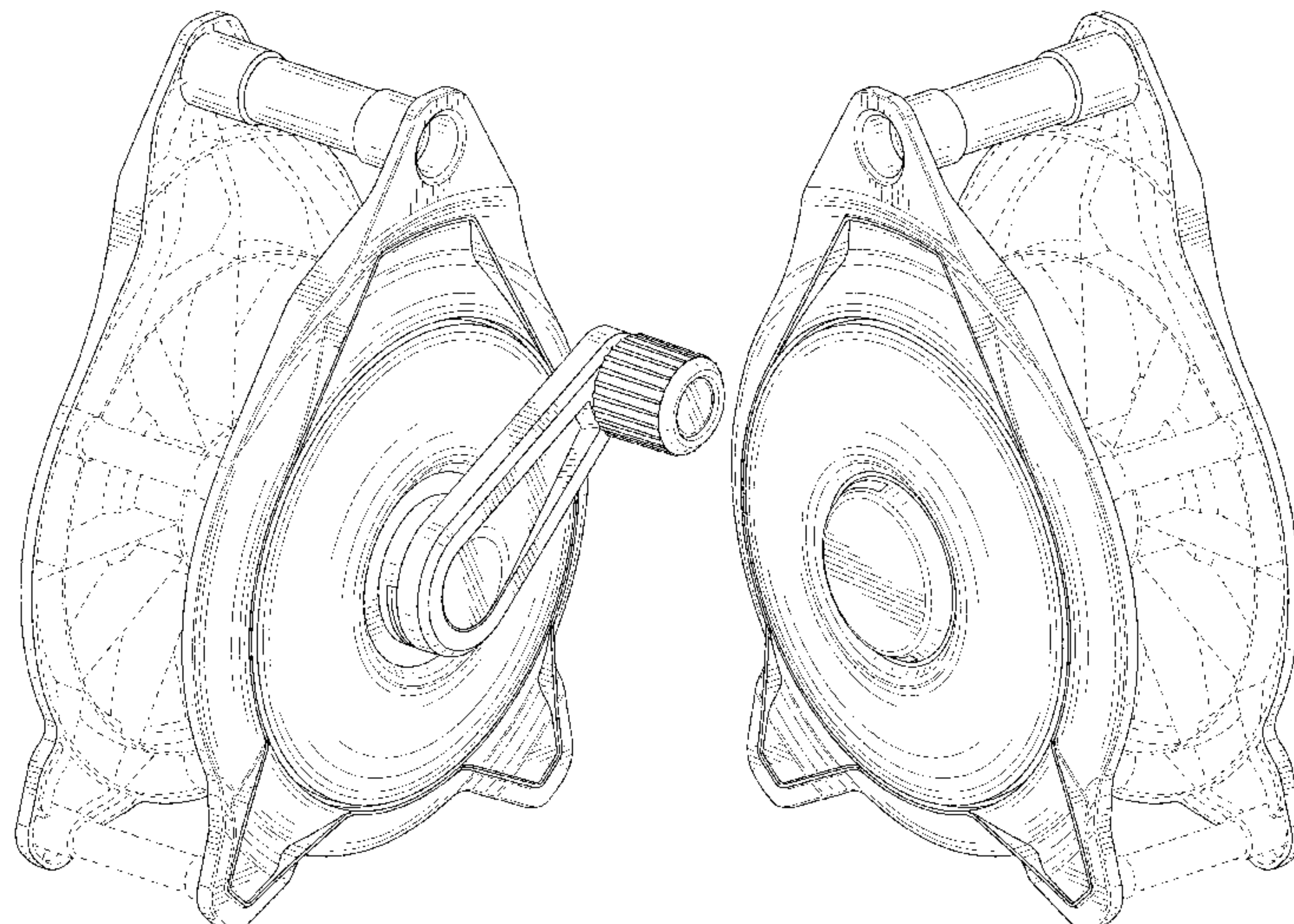
FIG. 6 is a rear elevational view thereof;

FIG. 7 is a top plan view thereof; and,

FIG. 8 is a bottom plan view thereof.

The broken lines shown in the drawings depict portions of  
the hose reel that form no part of the claimed design.

**1 Claim, 8 Drawing Sheets**



(58) **Field of Classification Search**

CPC ..... H04R 1/1033; Y10S 24/909; E05C 19/10;  
 E05C 17/50; E05C 3/045; E05C 3/30;  
 E05C 19/02; E05C 19/026; A47G  
 25/0614; A47G 25/18; A47G 25/32;  
 A47G 7/047; A47G 7/045; A47G 7/042;  
 A47G 7/044; F16B 12/44; F16B 12/46;  
 F16B 5/0614; F16B 12/02; A47B  
 88/0055; E04F 11/1812; E04B 1/2612;  
 E04B 2001/2415; E04B 1/5818; E04B  
 1/5831; F16L 1/0246; A01G 9/024; A01G  
 25/14; A01G 27/001; A01G 9/042; A01G  
 27/005; A01G 31/001; A01G 9/02; A01G  
 9/083; A01G 9/12

See application file for complete search history.

(56) **References Cited**

U.S. PATENT DOCUMENTS

6,619,313 B2 \* 9/2003 Boughton ..... B65H 75/4442  
 137/355.16

D483,248 S \* 12/2003 Roman ..... B65H 75/40  
 D8/359  
 D501,788 S \* 2/2005 Richardson ..... D34/24  
 D666,080 S \* 8/2012 Boehler ..... D8/359  
 D672,634 S \* 12/2012 Phillips ..... D8/358  
 8,783,597 B2 \* 7/2014 Nagler ..... B65H 75/4407  
 137/355.12  
 D787,921 S \* 5/2017 Vanttilä ..... D8/359  
 9,738,488 B2 \* 8/2017 Kopp ..... B65H 75/4465  
 D840,215 S \* 2/2019 Khubani ..... D8/359  
 2017/0210590 A1 \* 7/2017 Kopp ..... B65H 75/4465  
 2018/0334075 A1 \* 11/2018 Frank ..... A61B 17/1327

OTHER PUBLICATIONS

Kokido GEOS Portable Swimming Pool Vacuum Hose Storage  
 Reel, posted as early as Dec. 11, 2012, [retrieved Aug. 18, 2019].  
 Retrieved from Internet, <URL: <https://www.amazon.com/Kokido-Portable-Swimming-Vacuum-Storage/dp/B007RXRMFO> >.\*

\* cited by examiner



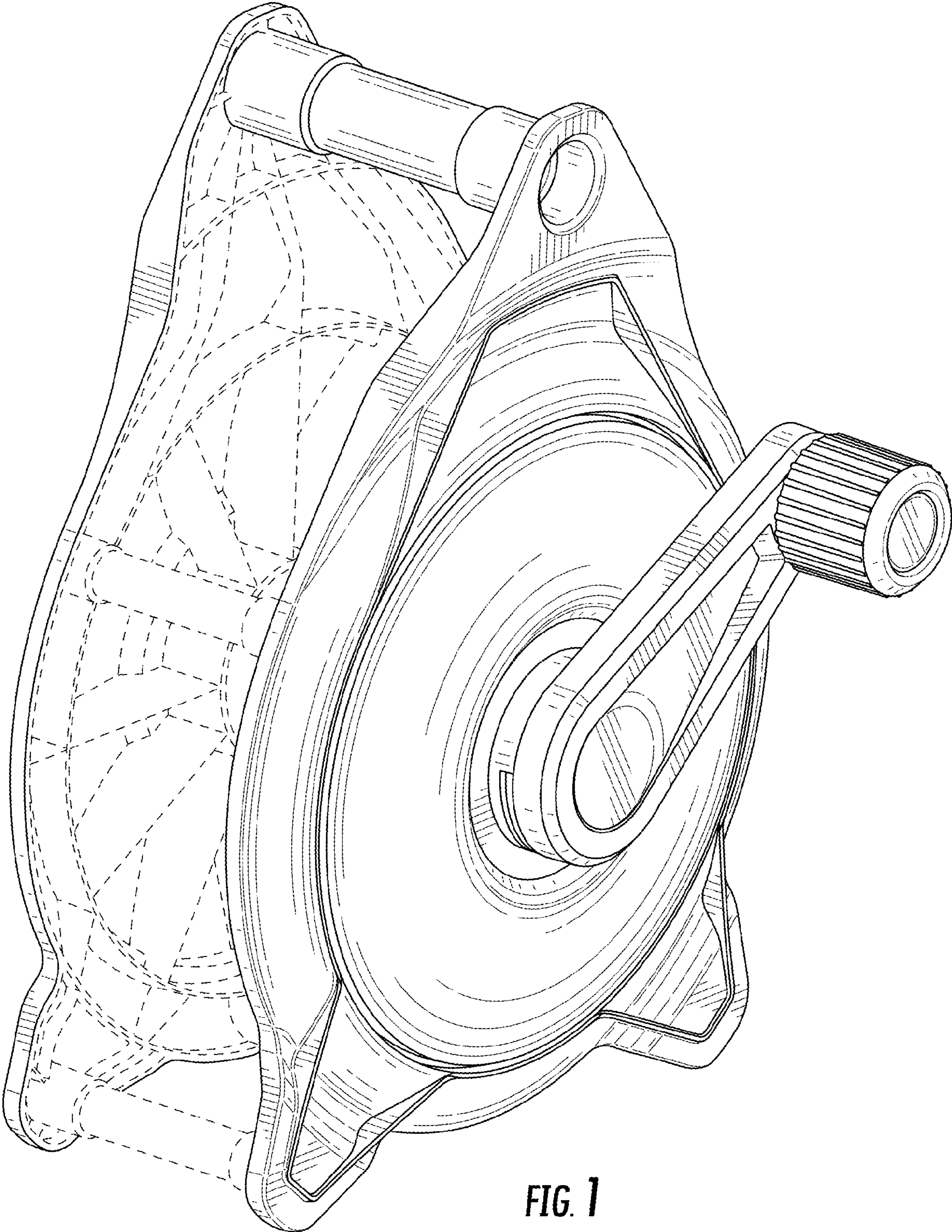
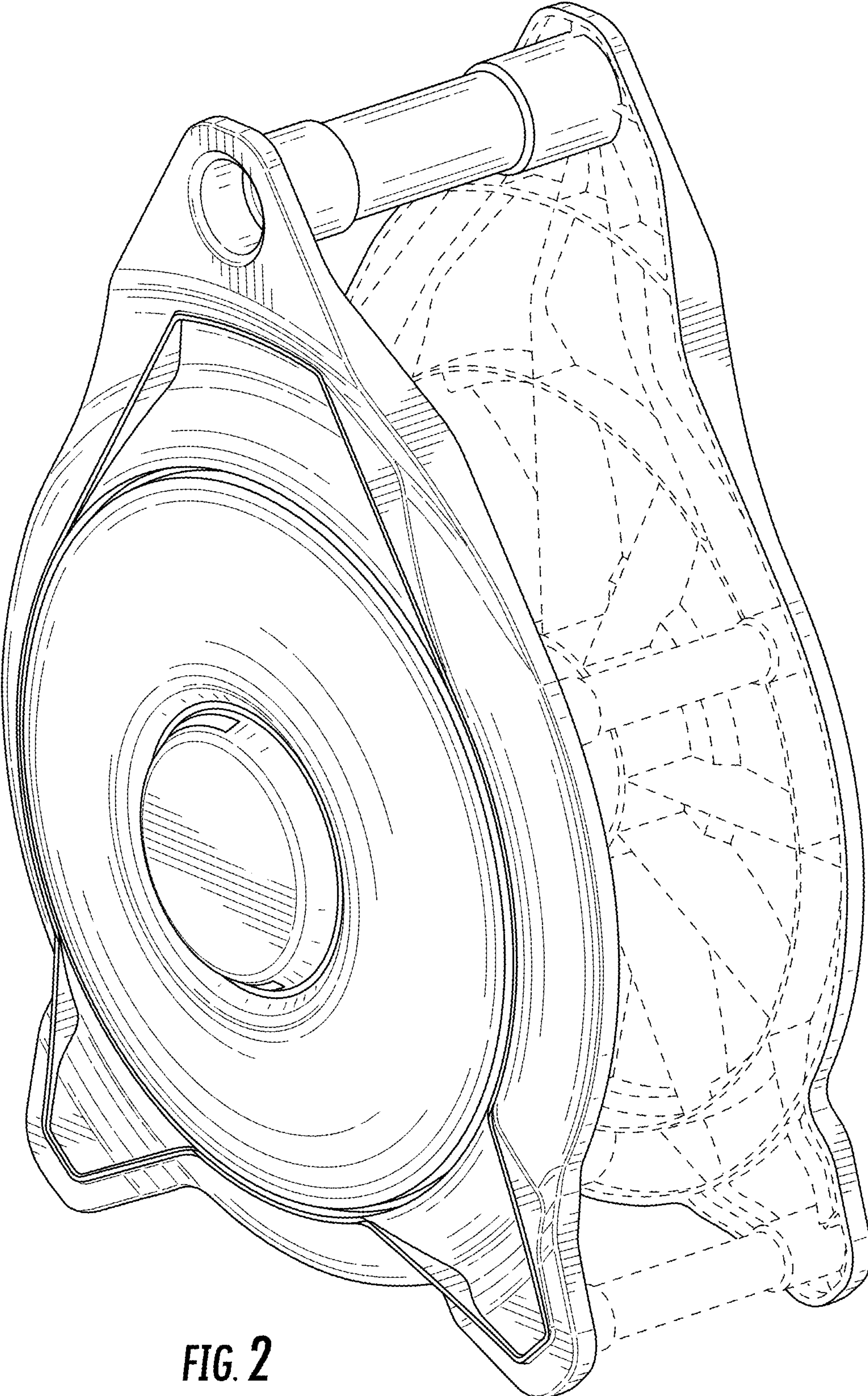


FIG. 1



**FIG. 2**



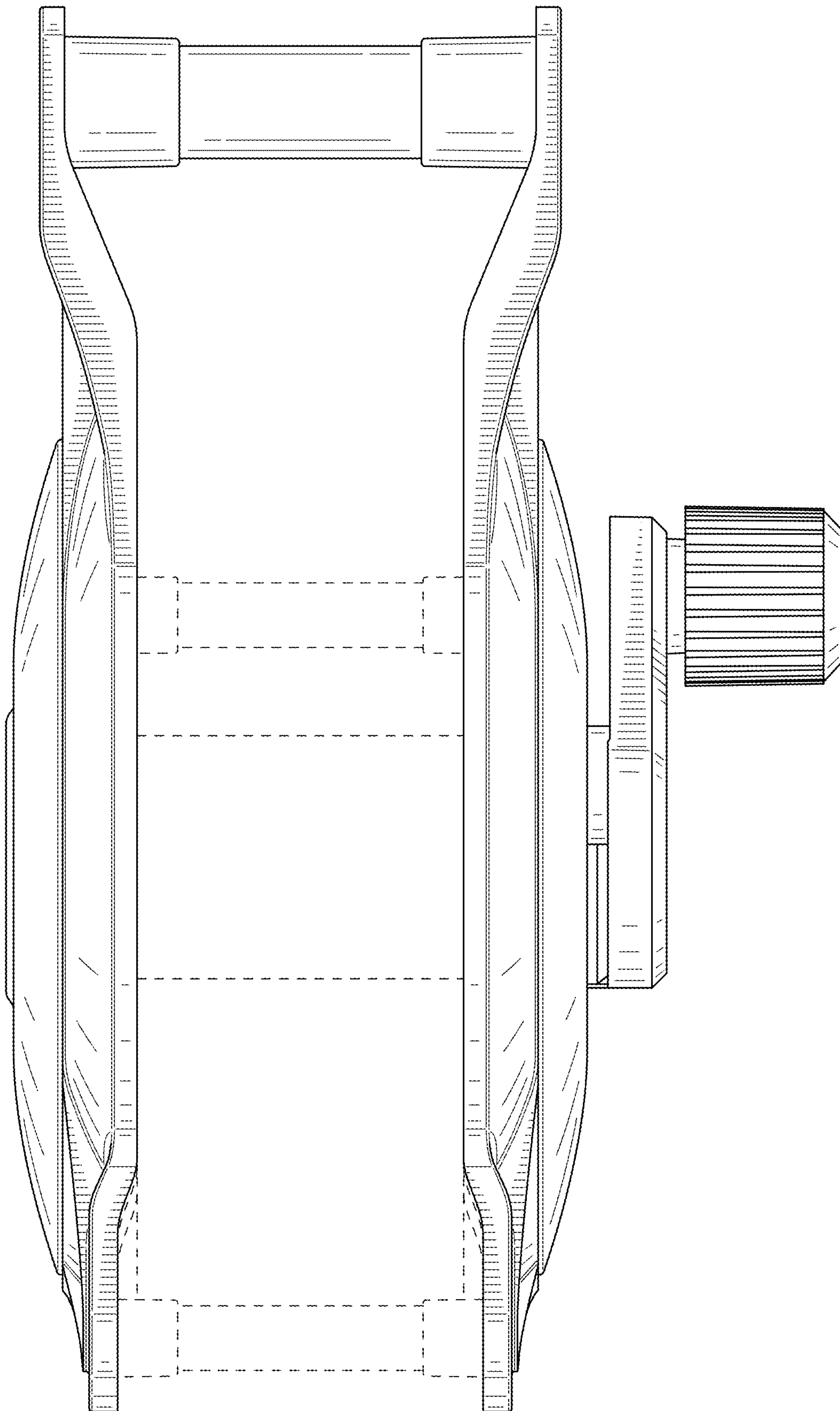


FIG. 3

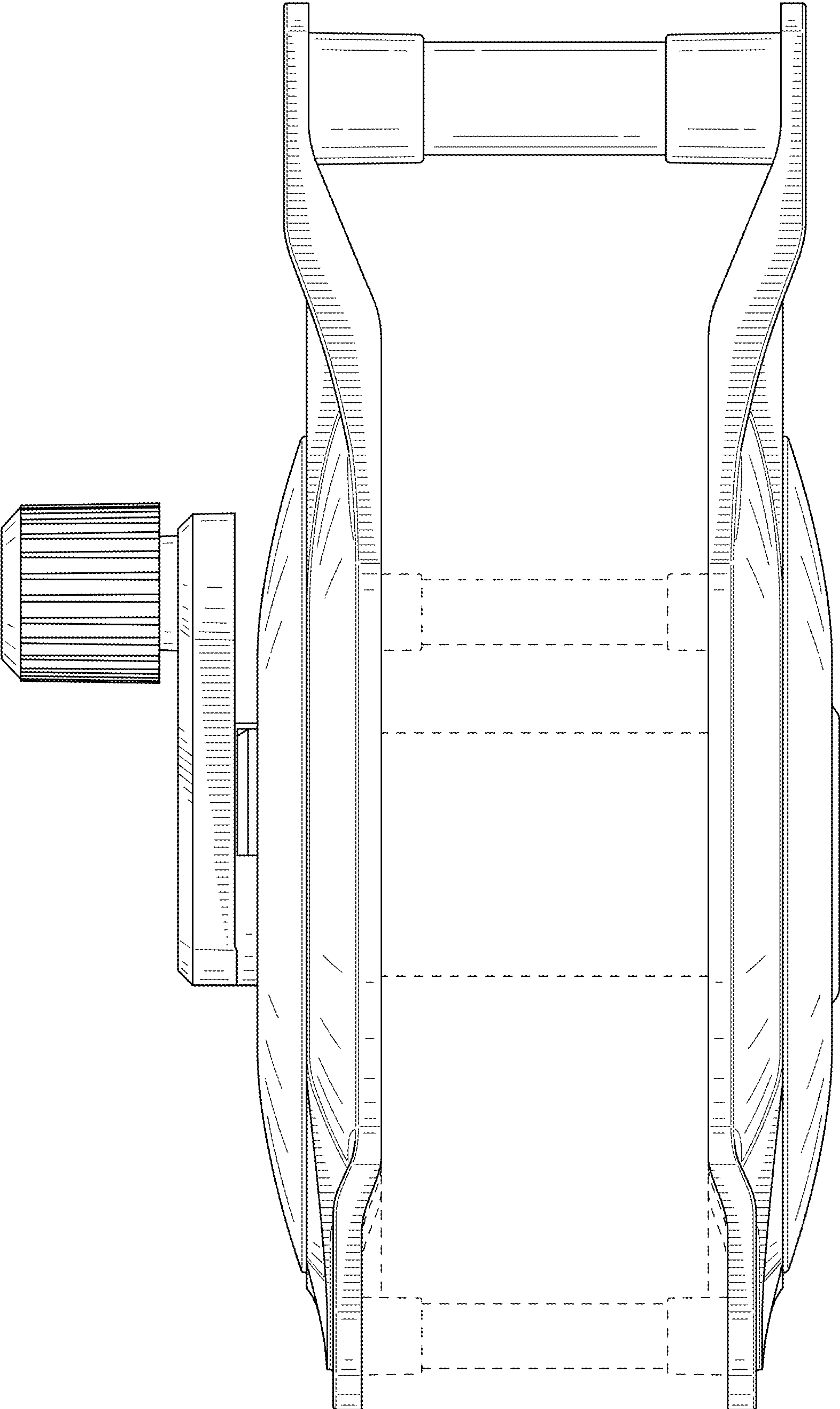


FIG. 4

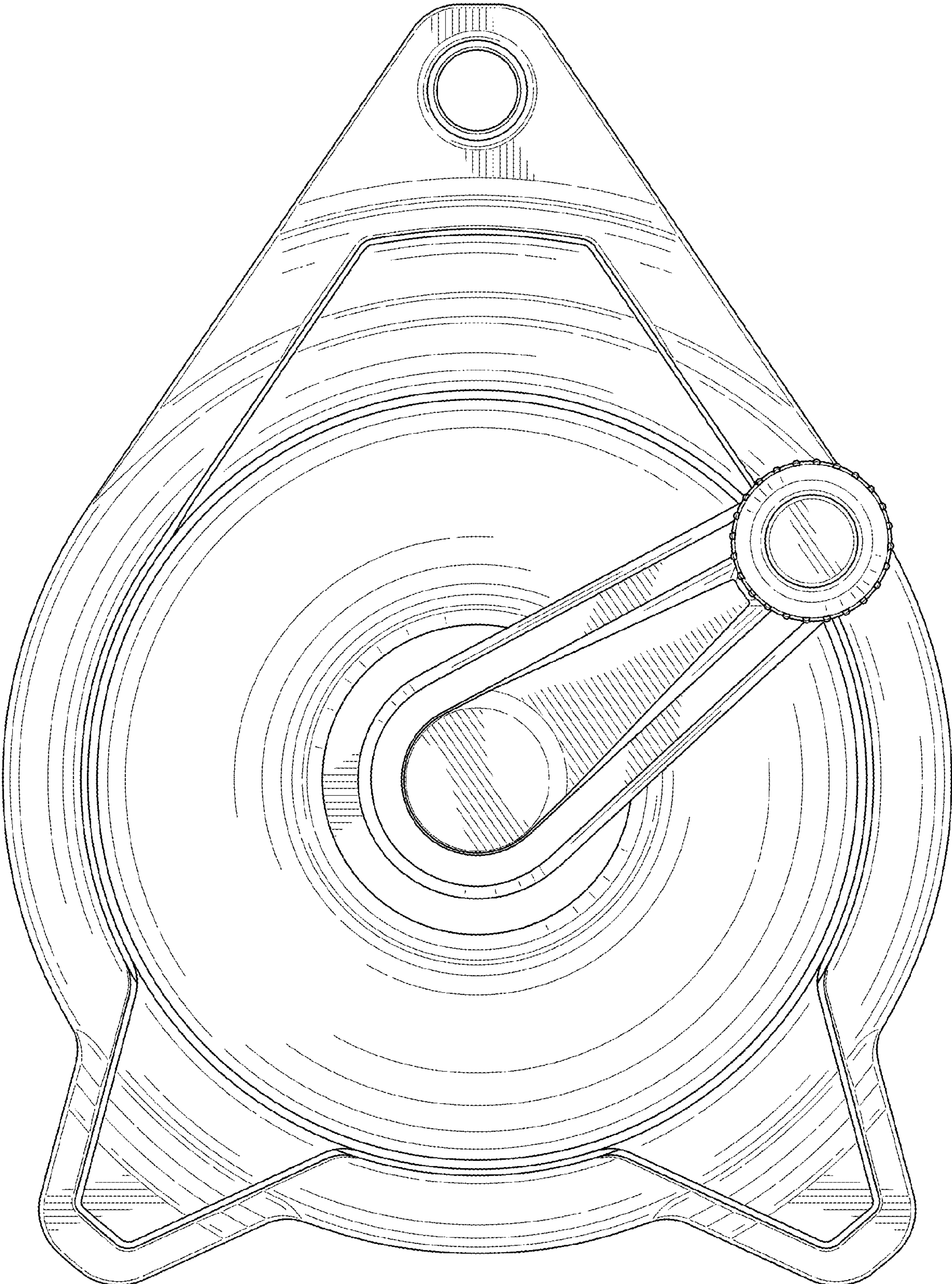


FIG. 5



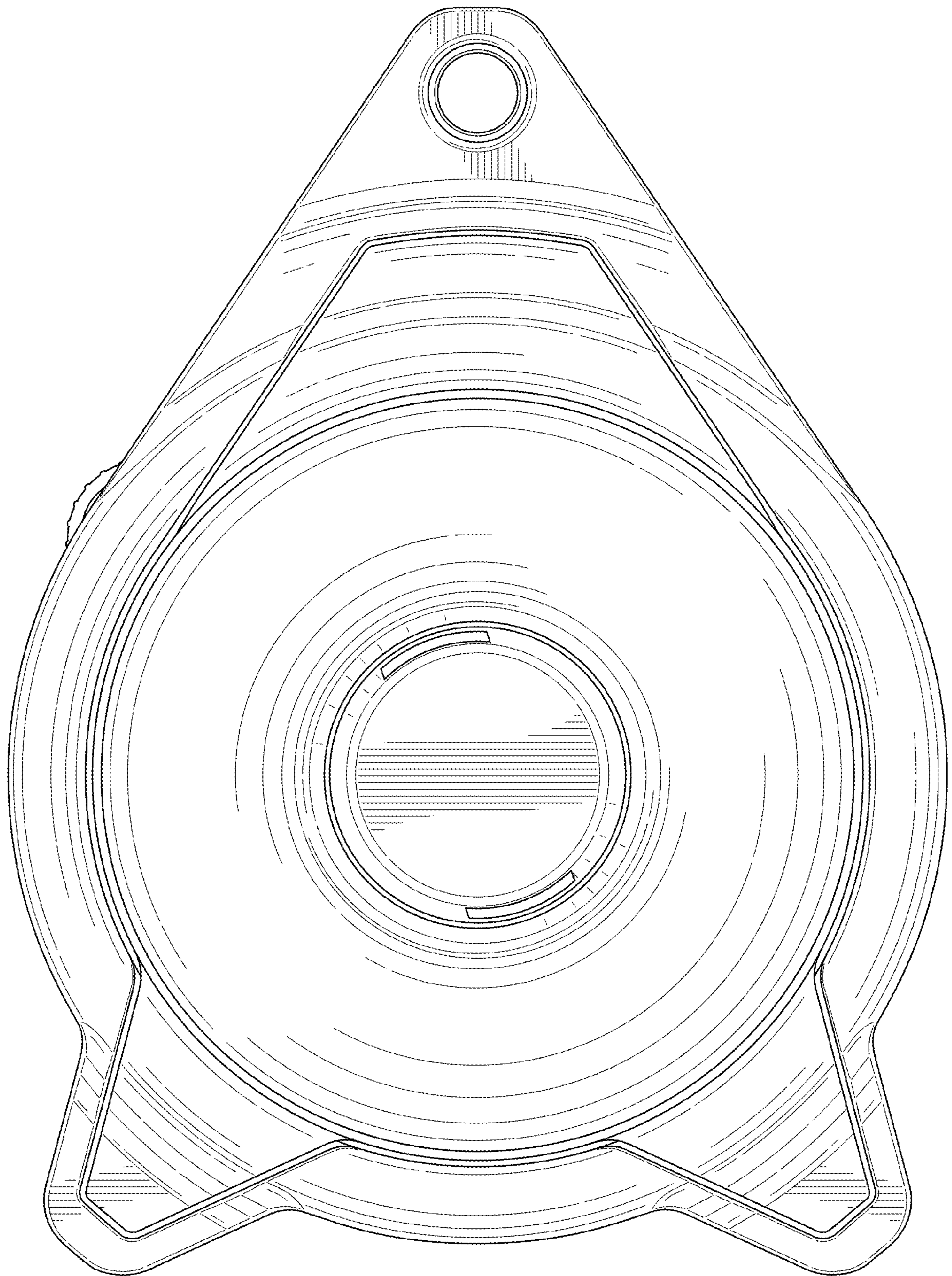
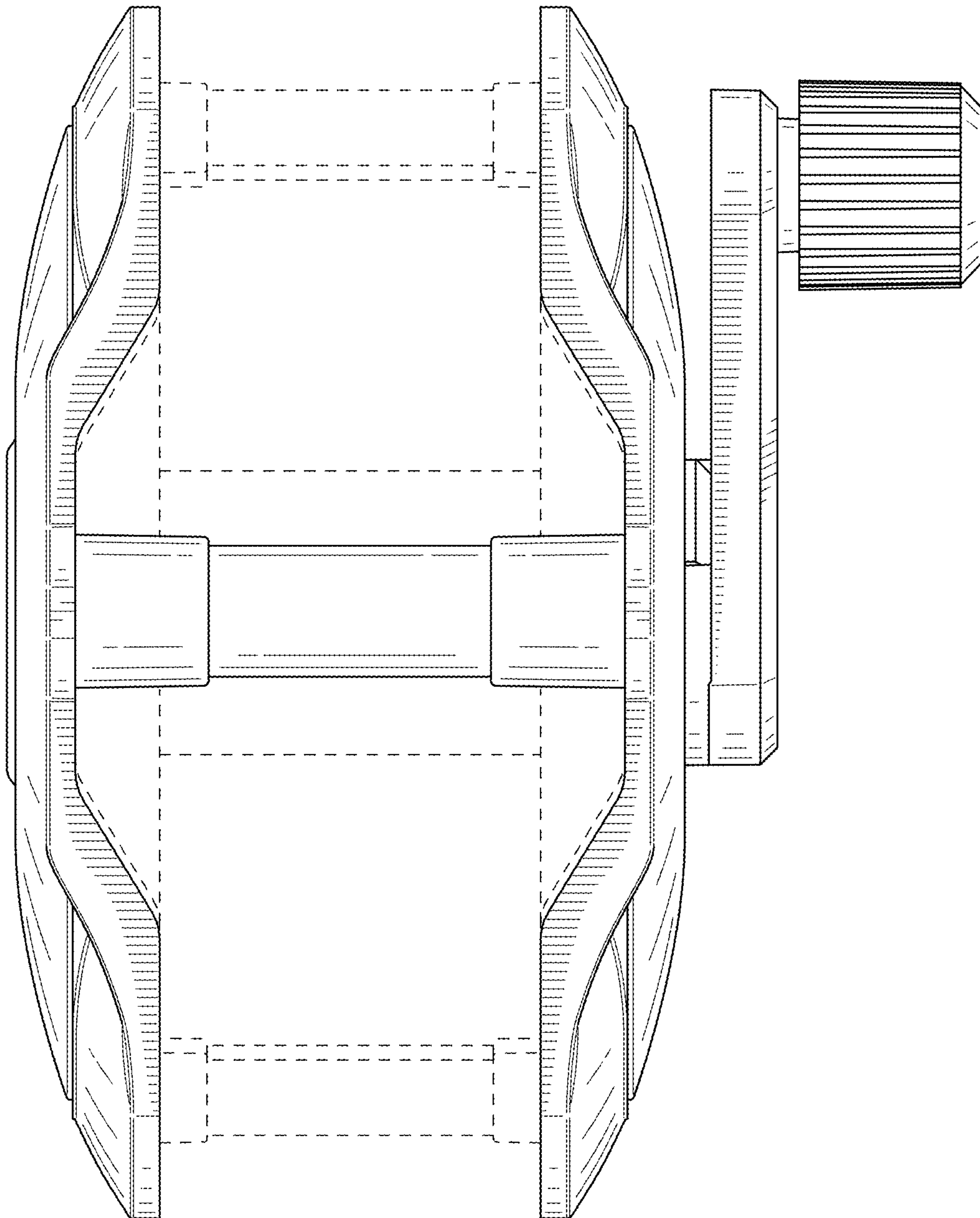


FIG. 6





**FIG. 7**

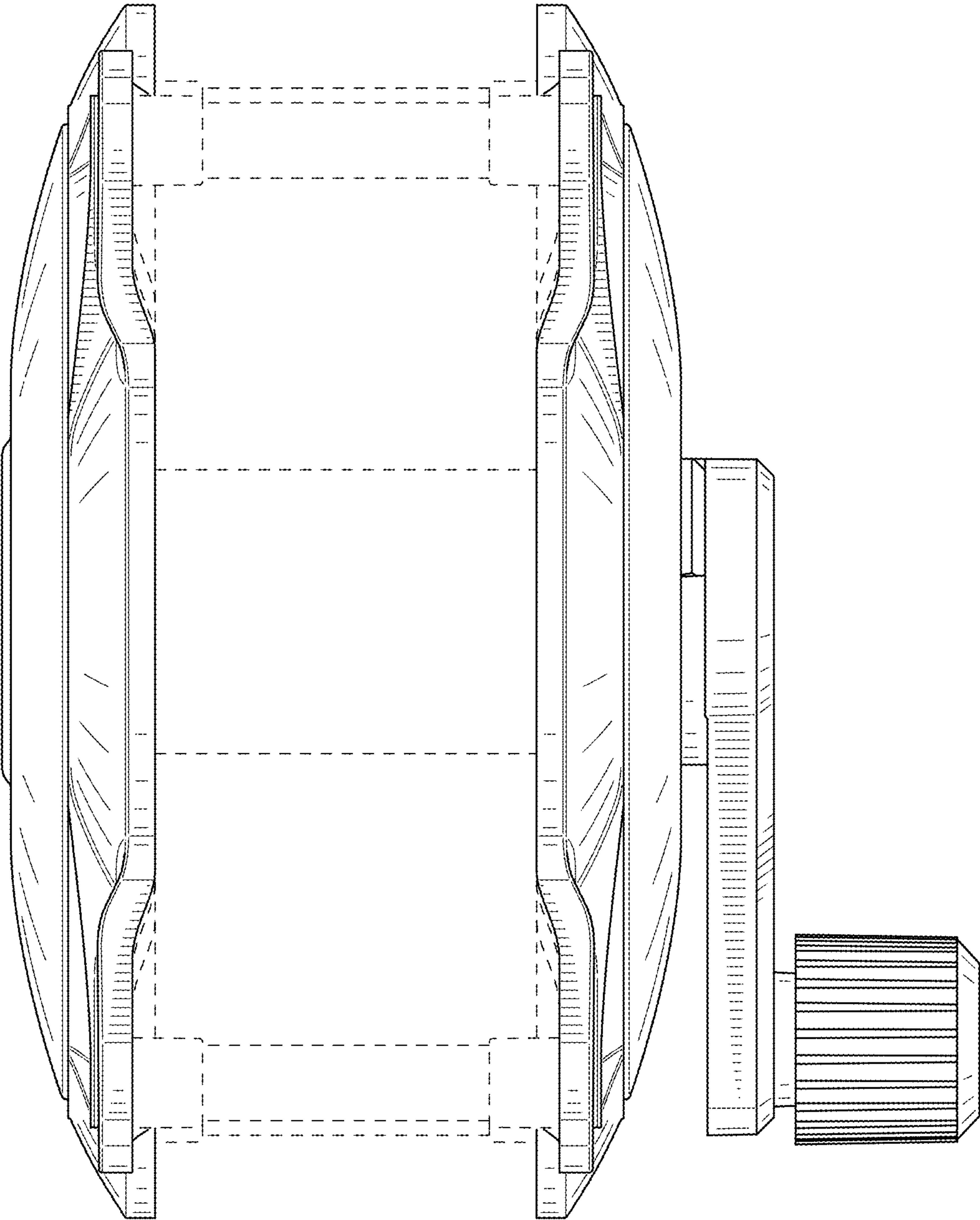


FIG. 8