



US00D871196S

(12) **United States Design Patent** (10) **Patent No.:** **US D871,196 S**  
**Schweiss** (45) **Date of Patent:** **\*\* Dec. 31, 2019**

(54) **STRAP ATTACHMENT**

(71) Applicant: **Michael L. Schweiss**, Fairfax, MN (US)

(72) Inventor: **Michael L. Schweiss**, Fairfax, MN (US)

(73) Assignee: **SORREL QUARTERS, LLC**, Hector, MN (US)

(\*\*) Term: **15 Years**

(21) Appl. No.: **29/693,026**

(22) Filed: **May 30, 2019**

6,199,617 B1	3/2001	Schweiss	
D499,976 S	12/2004	Neufeglise	
6,866,080 B2	3/2005	Schweiss	
D520,337 S	5/2006	Albarado	
D548,044 S	8/2007	Tang	
D611,544 S	3/2010	Liptan	
D616,286 S	5/2010	Foresman	
D619,497 S *	7/2010	Paik	D11/218
D619,498 S *	7/2010	Paik	D11/218
D649,907 S *	12/2011	Kataguchi	D11/218
D661,573 S *	6/2012	Paik	D8/367
D668,580 S *	10/2012	Kax	D11/218
D686,059 S *	7/2013	Paik	D8/356
D695,593 S *	12/2013	Nunez Farfan	D8/354
D703,098 S	4/2014	Quan	
D709,546 S	7/2014	Goff	
D725,988 S	4/2015	Smalley	
D731,921 S *	6/2015	Kung	D11/218

(Continued)

**Related U.S. Application Data**

(62) Division of application No. 29/651,345, filed on May 22, 2018, now Pat. No. Des. 863,043.

(51) **LOC (12) Cl.** ..... **09-06**

(52) **U.S. Cl.**  
USPC ..... **D8/356**

(58) **Field of Classification Search**  
USPC ..... D8/356, 354, 349; D30/139; D11/218  
See application file for complete search history.

(56) **References Cited**

**U.S. PATENT DOCUMENTS**

1,009,108 A	11/1911	Soss	
2,566,872 A	9/1951	Bernhardt	
3,972,090 A	8/1976	Holmes	
4,881,298 A	11/1989	Turnbull	
5,285,555 A *	2/1994	Bell	A44B 11/10 24/171
D344,966 S	3/1994	Friedman	
D370,284 S	5/1996	Farchione	
D373,902 S	9/1996	Wang	
D374,394 S	10/1996	Mele	

*Primary Examiner* — Cynthia R Underwood

(74) *Attorney, Agent, or Firm* — Richard John Bartz

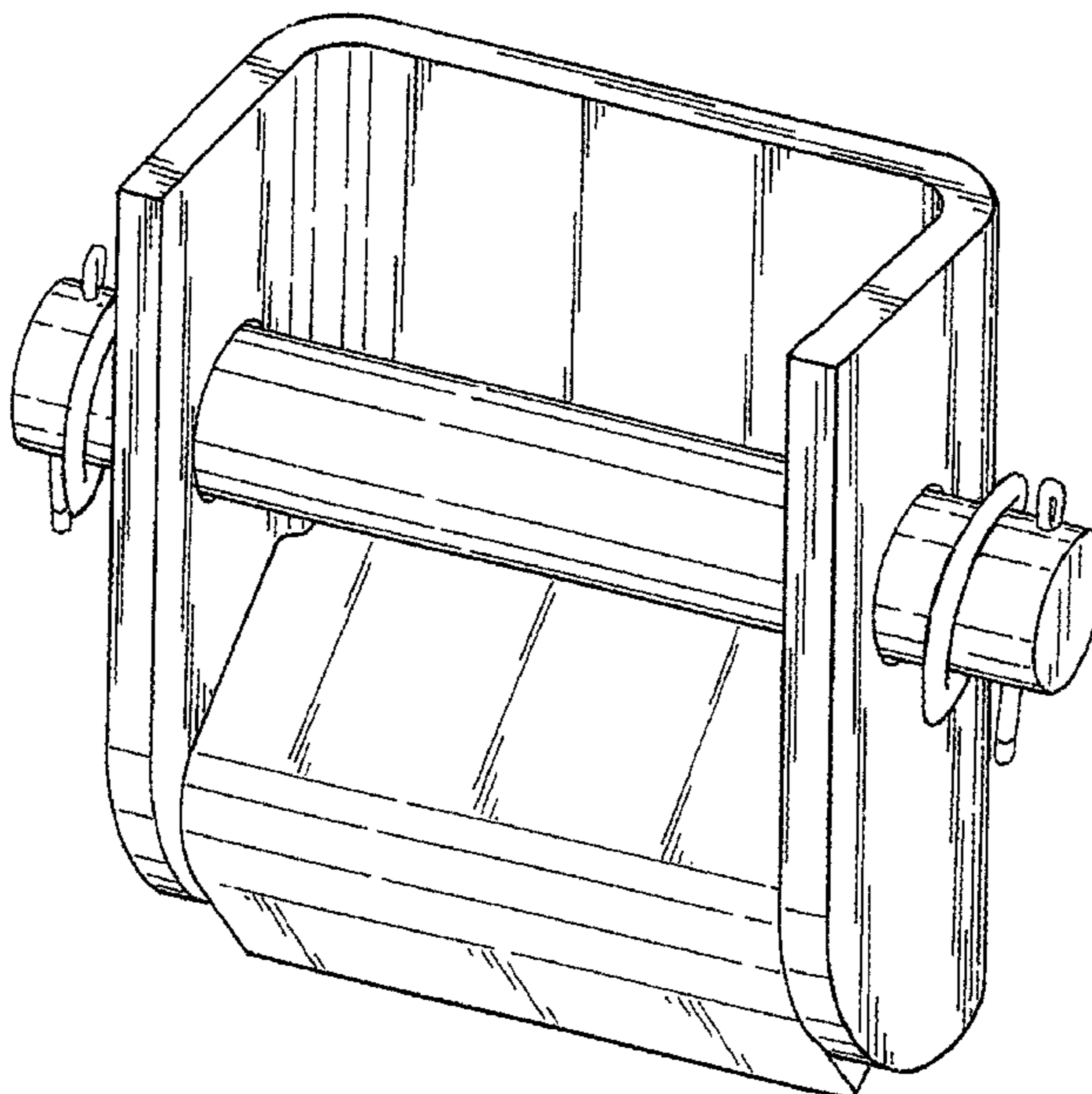
(57) **CLAIM**

The ornamental design of a strap attachment, as shown and described.

**DESCRIPTION**

FIG. 1 is a perspective view of a strap attachment of my new design;  
 FIG. 2 is a top plan view thereof;  
 FIG. 3 is a bottom plan view thereof;  
 FIG. 4 is a front elevational view thereof;  
 FIG. 5 is a right side elevational view thereof;  
 FIG. 6 is a left side elevational view thereof; and  
 FIG. 7 is a sectional view taken along the line 7-7 of FIG. 2;  
 FIG. 8 is a sectional view taken along the line 8-8 of FIG. 2; and,  
 FIG. 9 is a rear elevational view thereof.

**1 Claim, 4 Drawing Sheets**



(56)

**References Cited**

U.S. PATENT DOCUMENTS

D741,148	S	*	10/2015	Liu	.....	D11/218
D748,966	S	*	2/2016	Morinaga	.....	D8/323
D754,114	S		4/2016	Curtis et al.		
9,315,139	B2		4/2016	Hyslop		
D758,828	S		6/2016	Corpuz, Jr.		
D763,665	S		8/2016	Hallare		
D768,461	S		10/2016	Mirick		
D784,113	S		4/2017	Rago		
D793,209	S		8/2017	Galpchian		
D808,244	S		1/2018	Fraijo		
D808,251	S	*	1/2018	Hetrick	.....	D8/356
D809,894	S		2/2018	Schweiss		
D811,195	S		2/2018	Wang		
D817,146	S		5/2018	Weldon		
D826,700	S		8/2018	Feng		
D837,028	S		1/2019	Schweiss		
D837,925	S	*	1/2019	Gorsuch	.....	D22/108
D859,962	S	*	9/2019	Fretz	.....	D8/356
2008/0265543	A1		10/2008	Davis		
2017/0074019	A1		3/2017	Schweiss		

\* cited by examiner

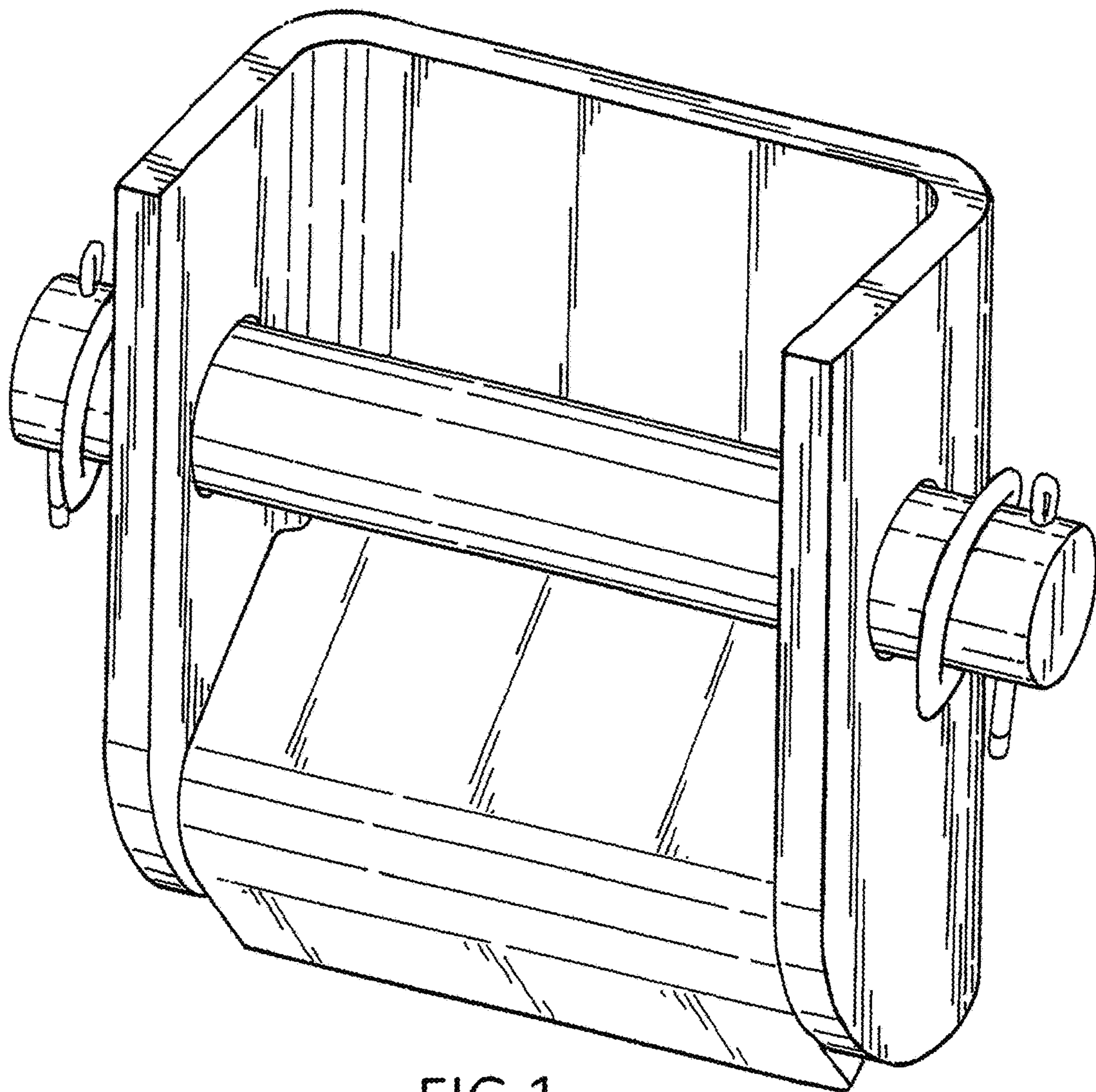


FIG. 1

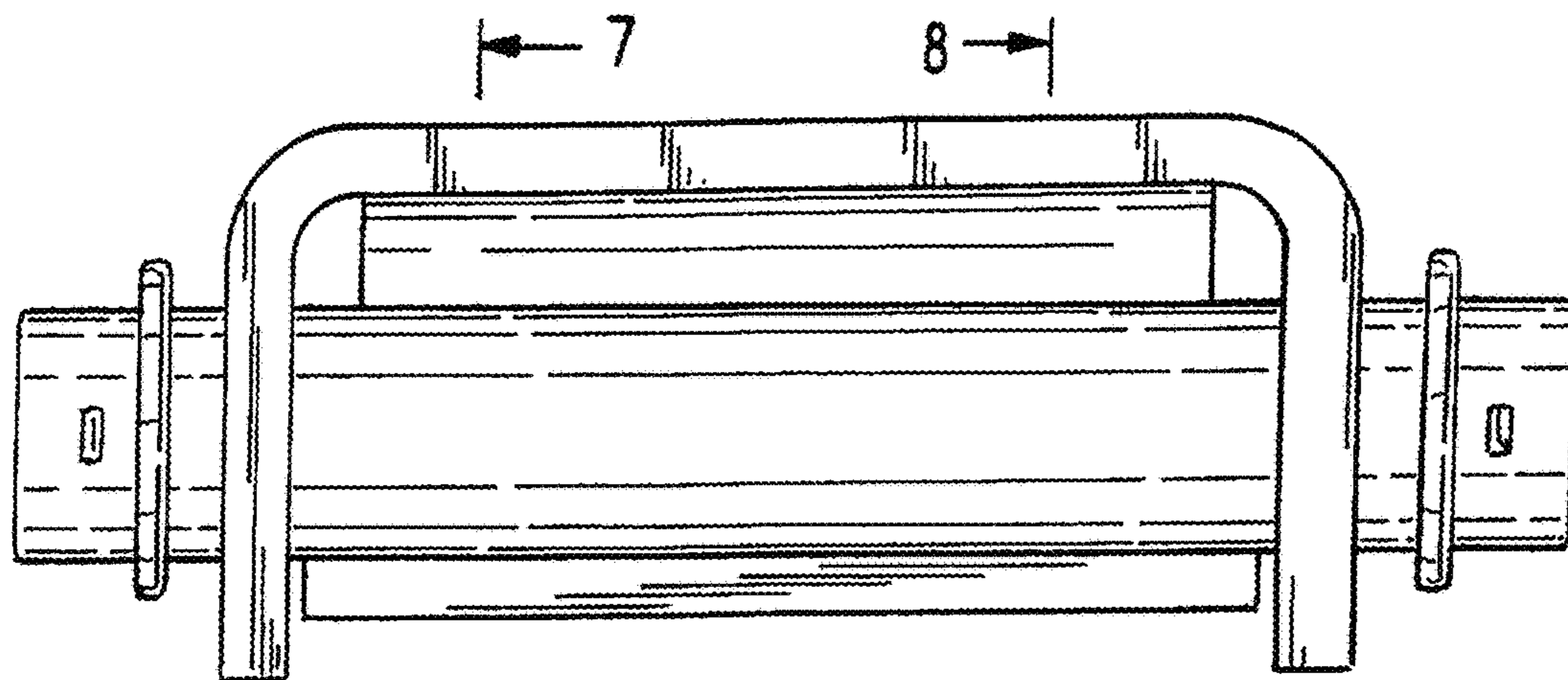


FIG. 2

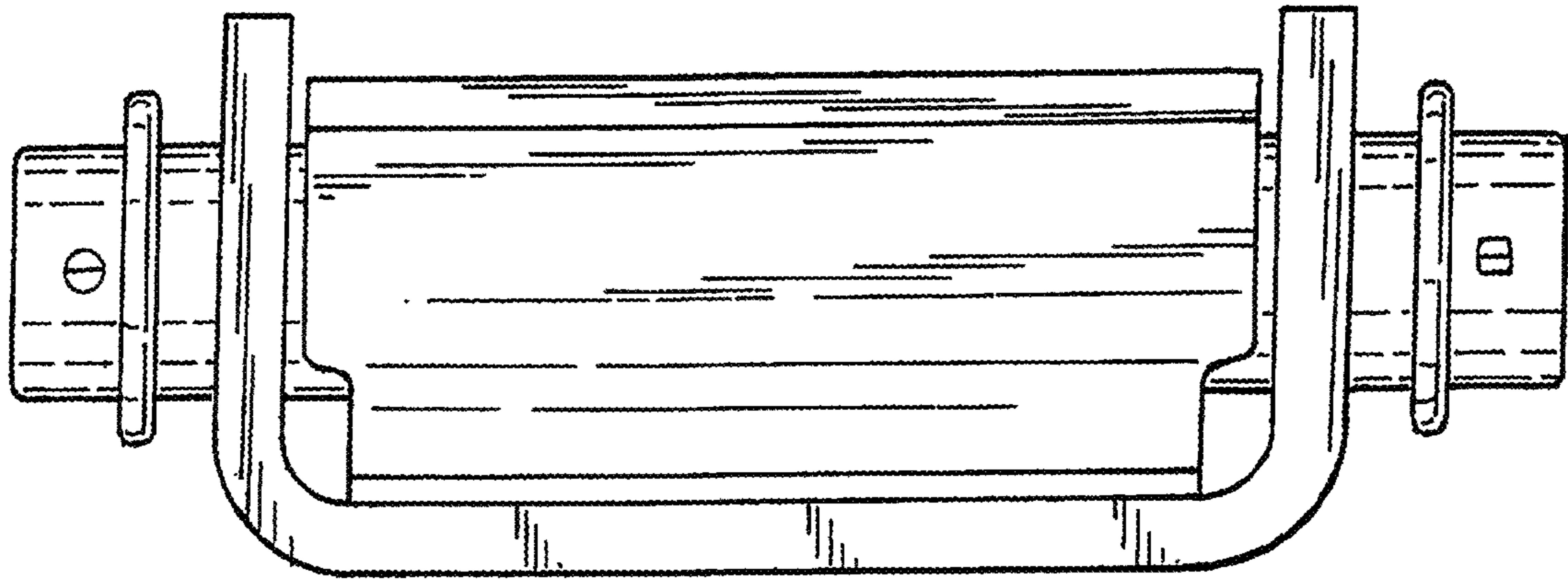


FIG. 3

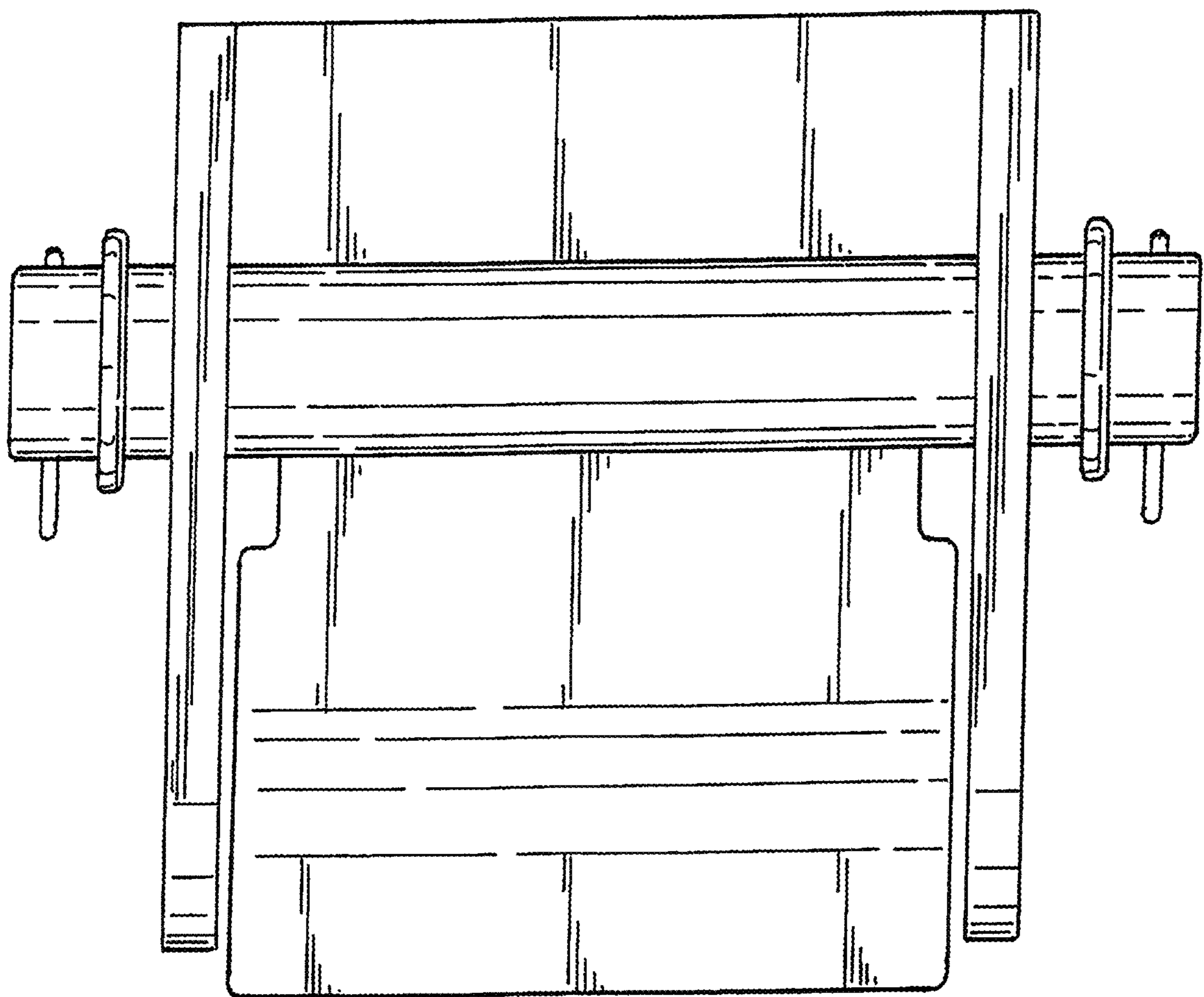


FIG. 4

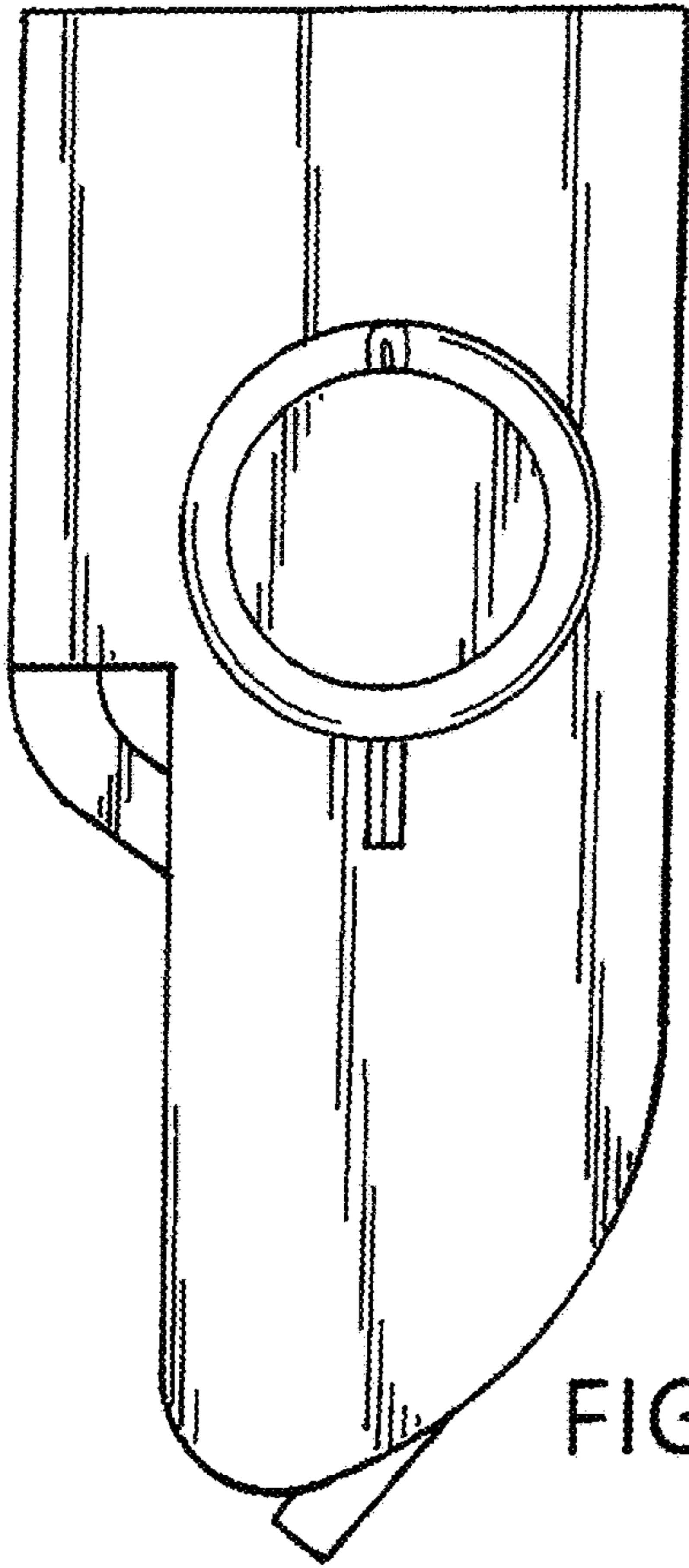


FIG. 5

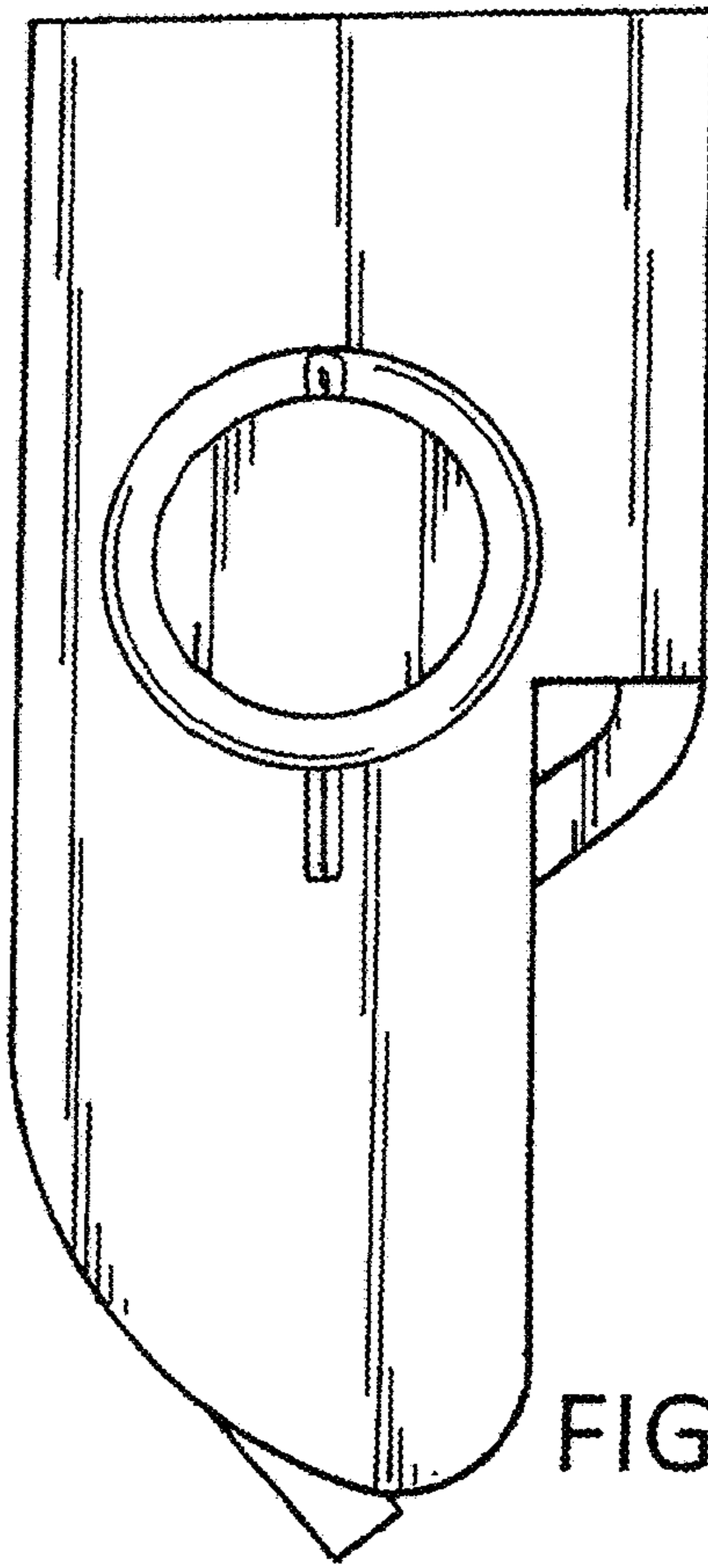


FIG. 6

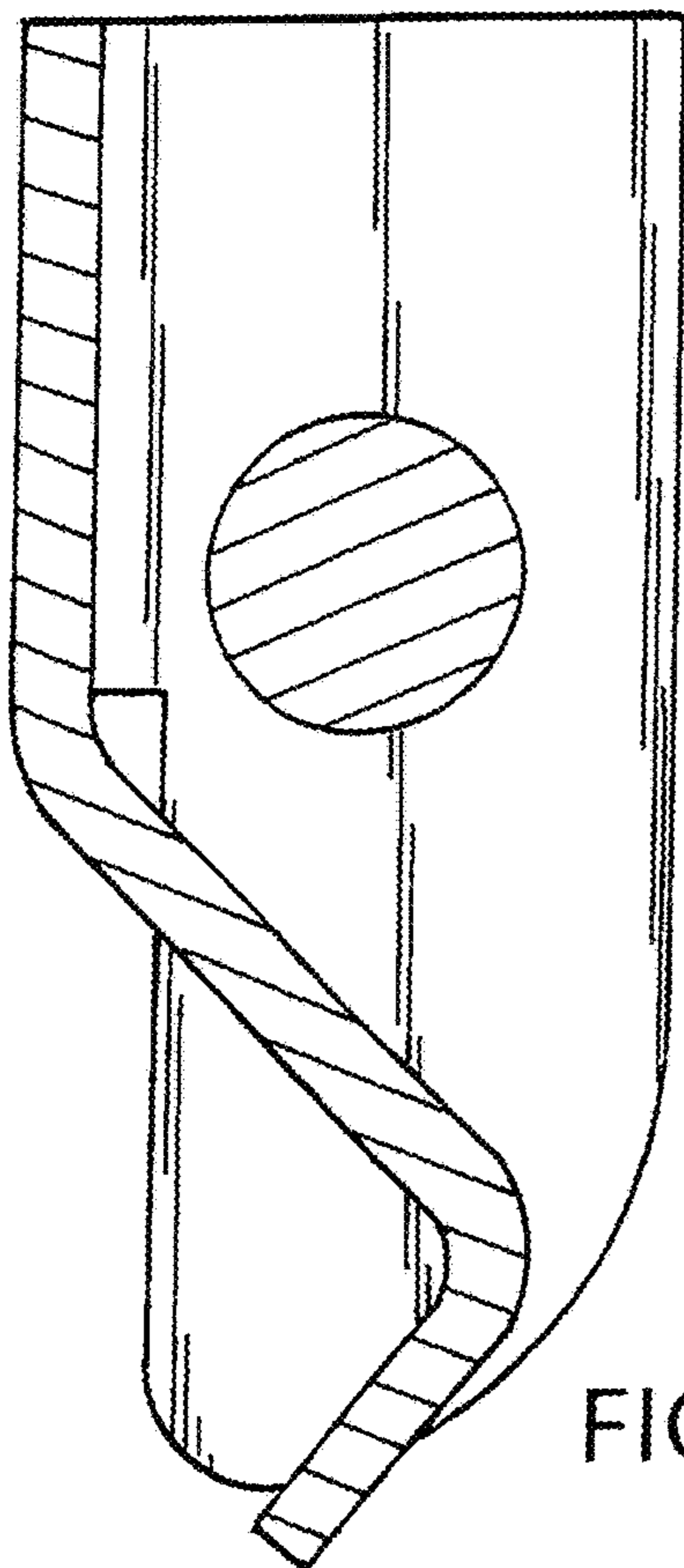


FIG. 7

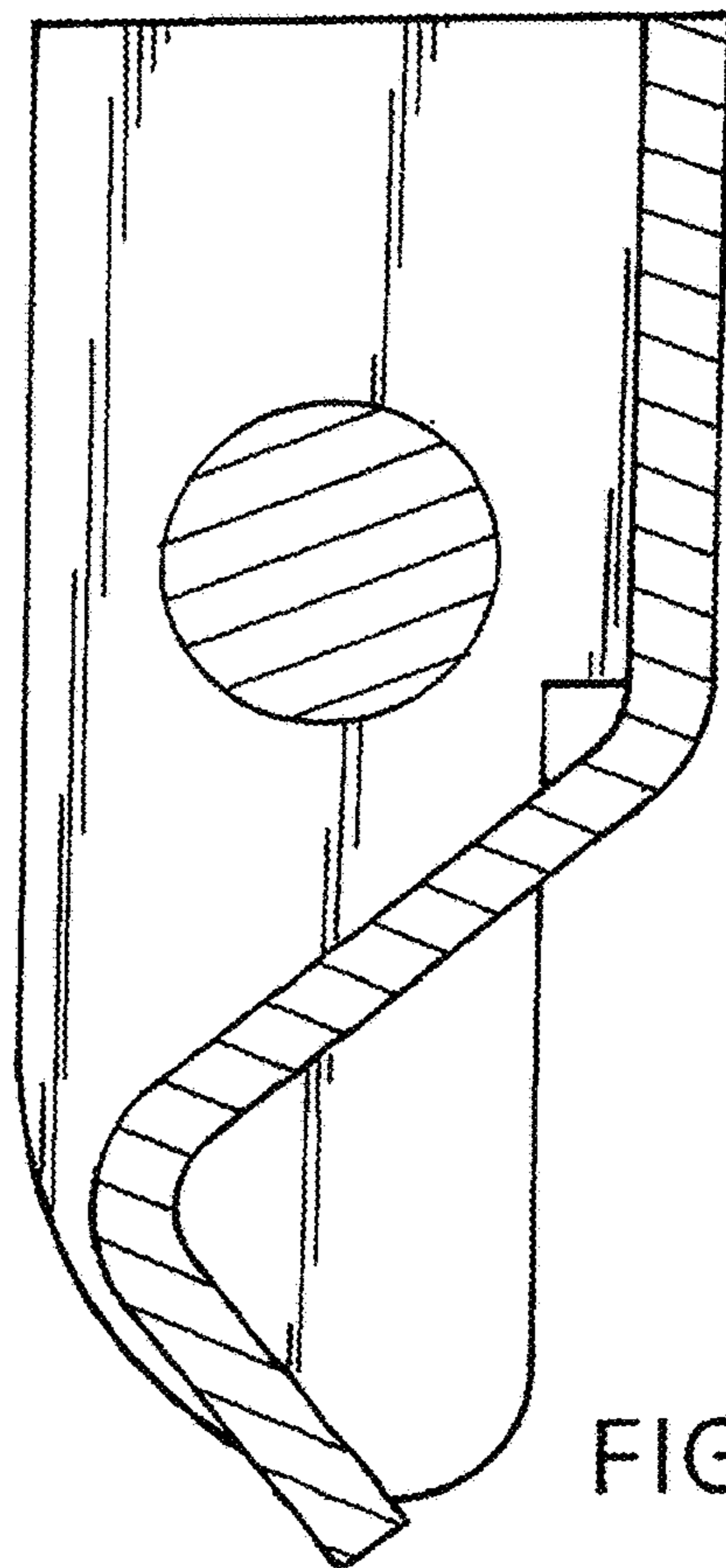


FIG. 8

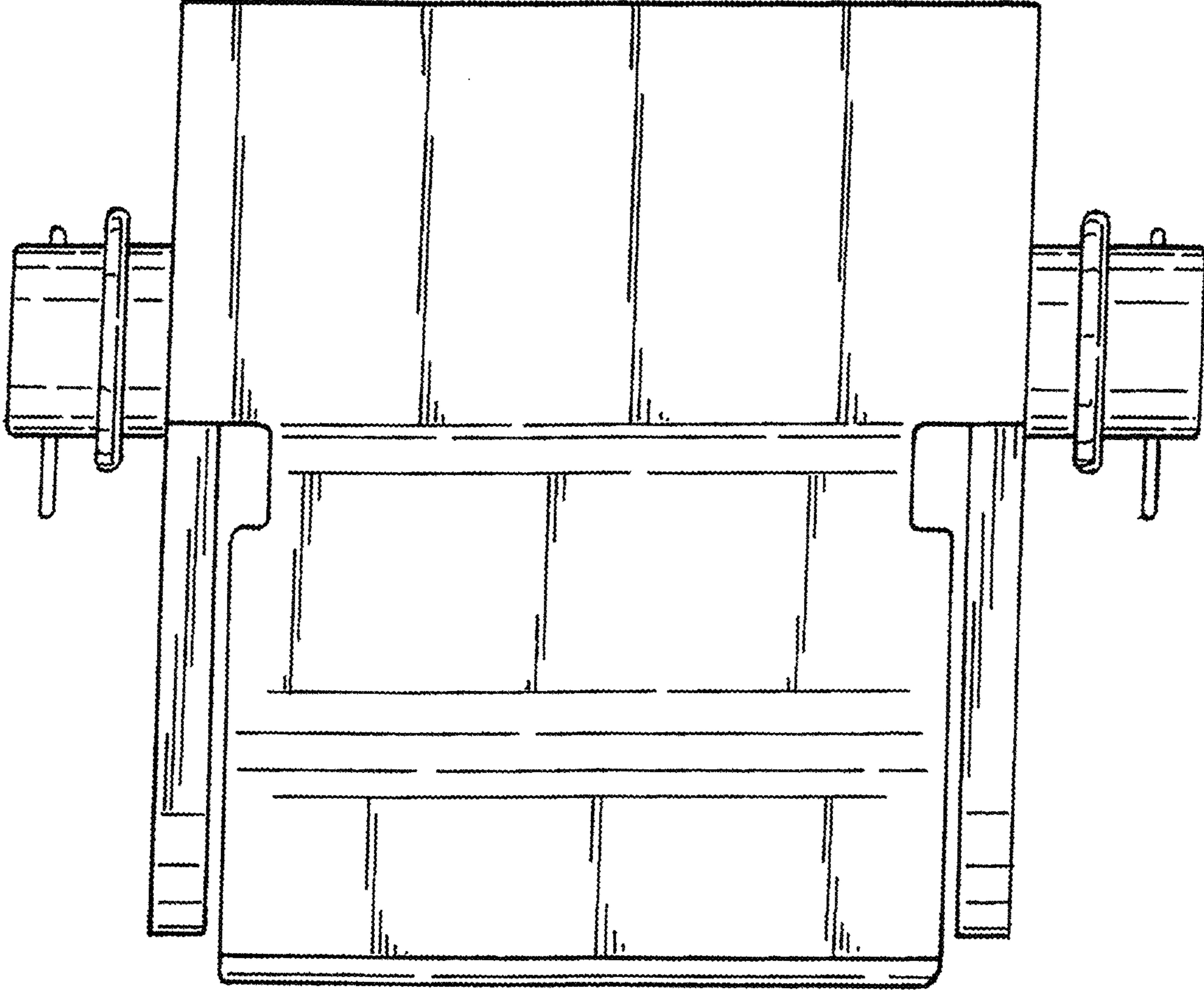


FIG. 9