



US00D871195S

(12) **United States Design Patent**
Truett et al.

(10) **Patent No.:** **US D871,195 S**

(45) **Date of Patent:** **** Dec. 31, 2019**

(54) **CONDUIT BOX SPACER**

(71) Applicant: **ABB Schweiz AG**, Baden (CH)

(72) Inventors: **Matthew Truett**, Simpsonville, SC (US); **Christopher A. Stockton**, Greenville, SC (US); **Patrick Cromer**, Anderson, SC (US)

(73) Assignee: **ABB Schweiz AG**, Baden (CH)

(**) Term: **15 Years**

(21) Appl. No.: **29/675,526**

(22) Filed: **Jan. 3, 2019**

(51) **LOC (12) Cl.** **09-06**

(52) **U.S. Cl.**
USPC **D8/356**

(58) **Field of Classification Search**
USPC D8/356, 354, 349
CPC B65B 13/00
See application file for complete search history.

(56) **References Cited**

U.S. PATENT DOCUMENTS

D323,102 S *	1/1992	Kipling	D8/331
D466,433 S *	12/2002	Goto	D11/87
D569,349 S *	5/2008	Preston	D13/156
D649,444 S *	11/2011	Gallagher, Jr.	D8/383
D660,138 S *	5/2012	Gallagher, Jr.	D11/87
D667,796 S *	9/2012	Boussekey	D13/156
D675,579 S *	2/2013	Rucker	D13/156
8,602,370 B2 *	12/2013	McKenzie	A47G 25/1464 248/215
D708,052 S *	7/2014	Symons	D8/394
D709,359 S *	7/2014	Symons	D8/396
D758,838 S *	6/2016	Symons	D8/383
D761,088 S *	7/2016	Leonard	D8/356
D763,666 S *	8/2016	Wengreen	D8/356
D765,037 S *	8/2016	Hebert	D13/156

D766,185 S *	9/2016	Hagarty	D13/152
D776,517 S *	1/2017	Sterling	D8/356
D782,287 S *	3/2017	Chen	D8/356
D785,572 S *	5/2017	Abraham	D13/152
D795,044 S *	8/2017	McNutt	D13/156
D803,667 S *	11/2017	Chen	D8/356
D805,370 S *	12/2017	Ng	D8/356
D811,579 S *	2/2018	Chang	D24/109
D813,015 S *	3/2018	O'Brien	D8/356
D826,874 S *	8/2018	Mench	D13/184
D826,875 S *	8/2018	Mench	D13/184
D832,084 S *	10/2018	Lin	D8/356
D835,497 S *	12/2018	Rindy	D8/356

(Continued)

Primary Examiner — Cynthia R Underwood

(74) *Attorney, Agent, or Firm* — Leydig, Voit & Mayer, Ltd.

(57) **CLAIM**

The ornamental design for a conduit box spacer, as shown and described.

DESCRIPTION

FIG. 1 is a perspective view taken from the front, top, and right side of a conduit box spacer in accordance with the new design.

FIG. 2 is a left side view of the conduit box spacer of FIG. 1.

FIG. 3 is a right side view of the conduit box spacer of FIG. 1.

FIG. 4 is a front view of the conduit box spacer of FIG. 1.

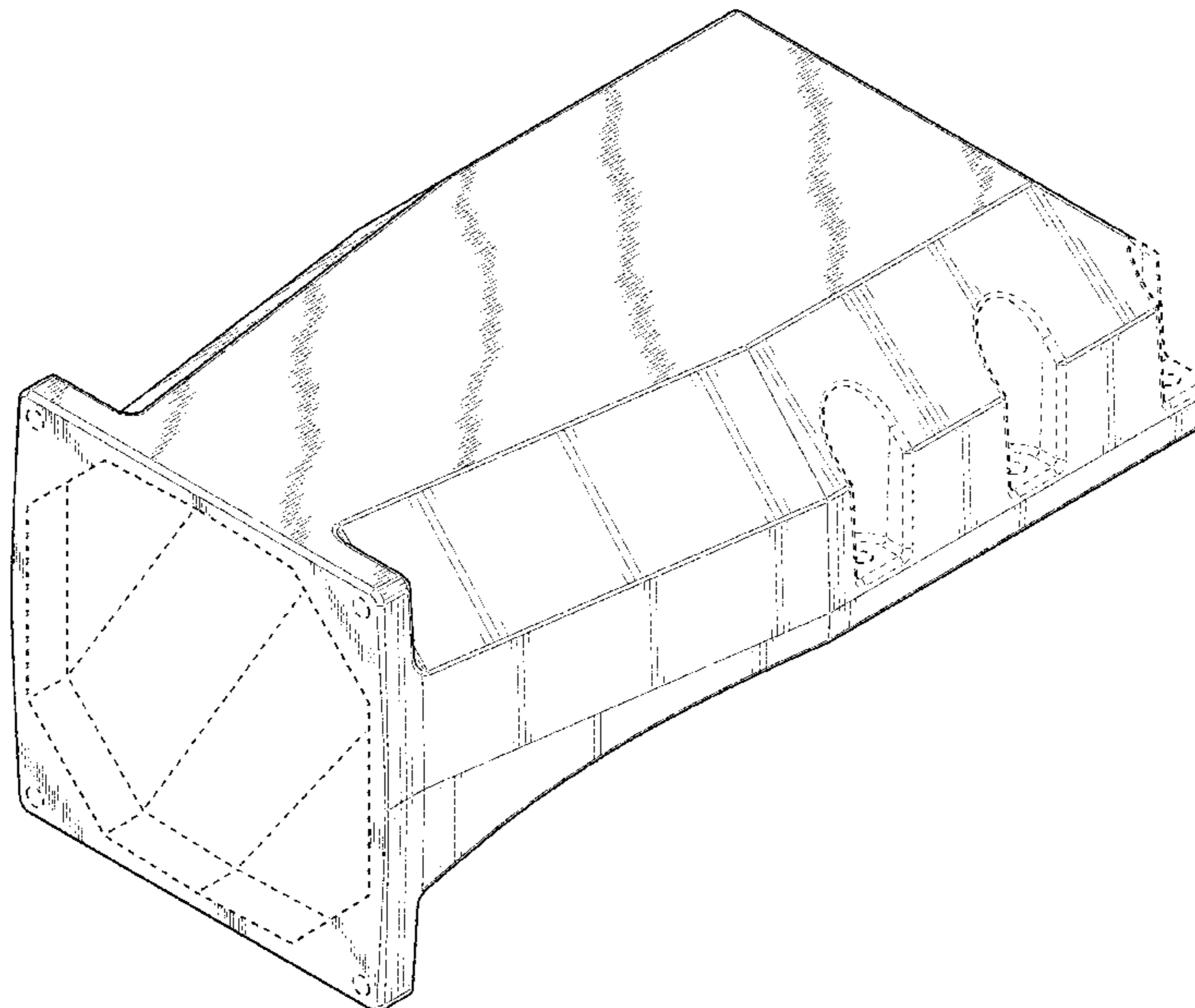
FIG. 5 is a rear view of the conduit box spacer of FIG. 1.

FIG. 6 is a top plan view of the conduit box spacer of FIG. 1; and,

FIG. 7 is a bottom plan view of the conduit box spacer of FIG. 1.

The broken lines shown in the drawings illustrate portions of the conduit box spacer that form no part of claimed design.

1 Claim, 6 Drawing Sheets



(56)

References Cited

U.S. PATENT DOCUMENTS

D850,386 S * 6/2019 Otzelberger D13/152
D864,117 S * 10/2019 Byrne D13/139.4
2005/0164545 A1* 7/2005 Rosenthal H01R 13/72
439/501
2010/0148018 A1* 6/2010 Schoenau F16L 3/222
248/74.4

* cited by examiner

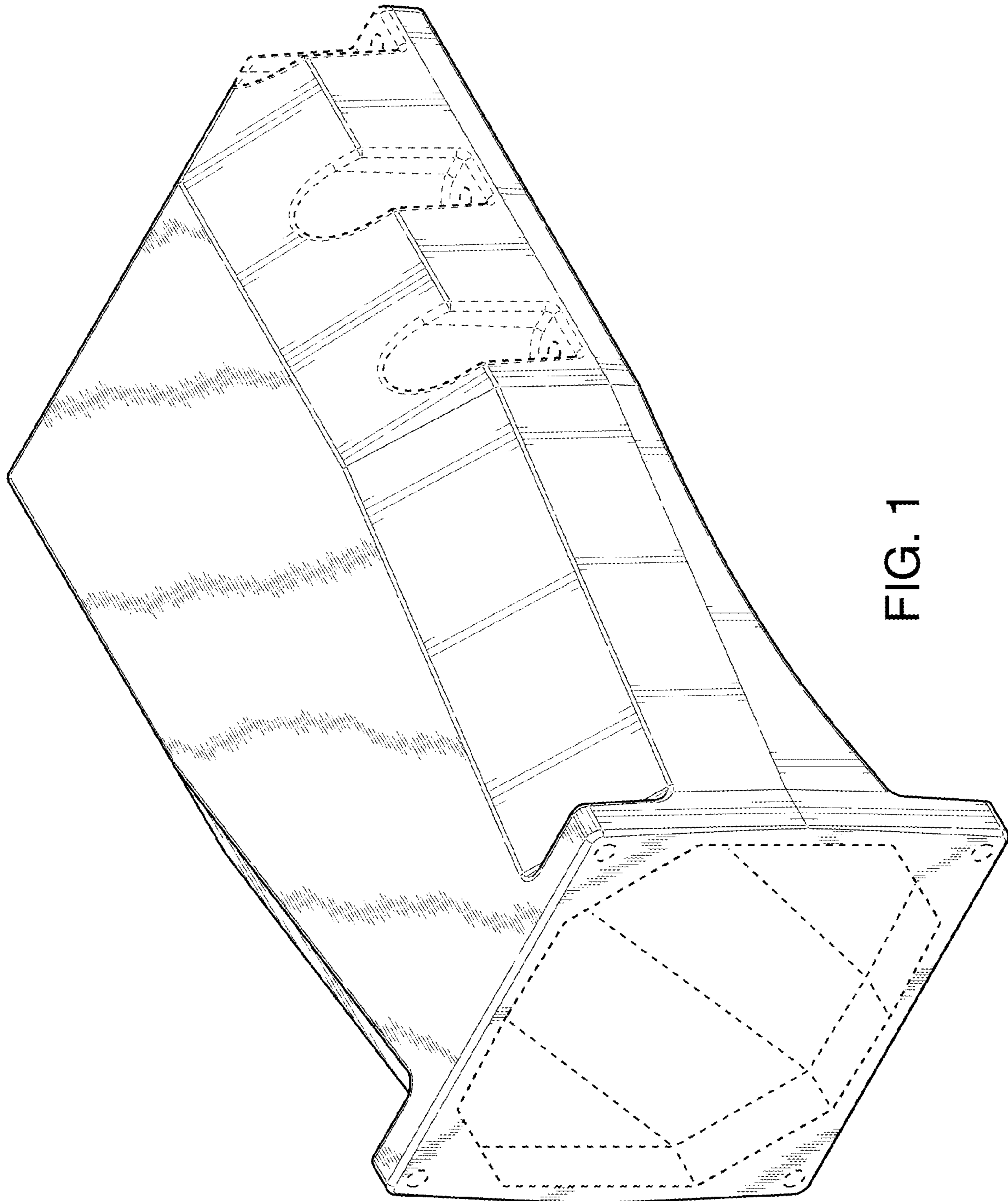


FIG. 1

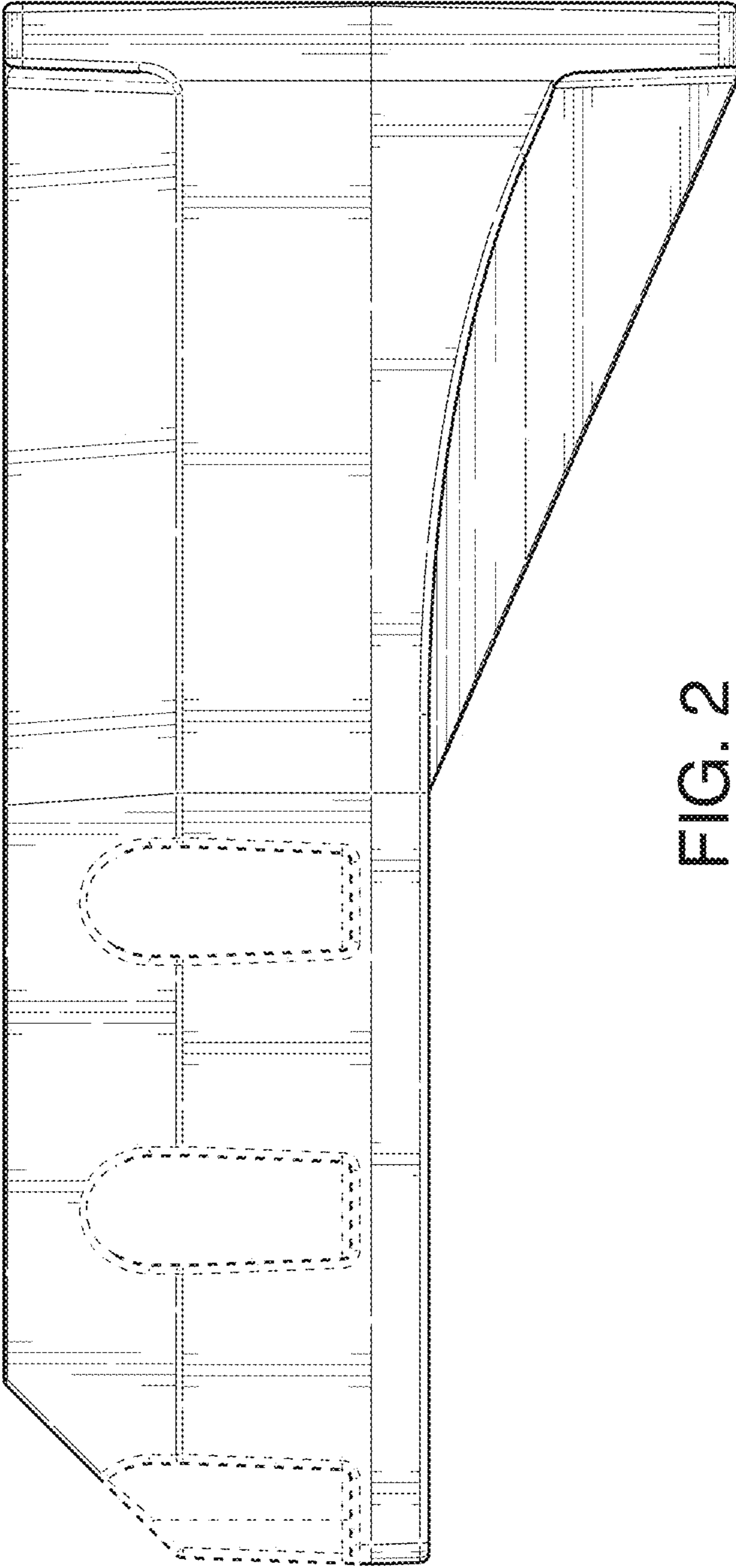


FIG. 2

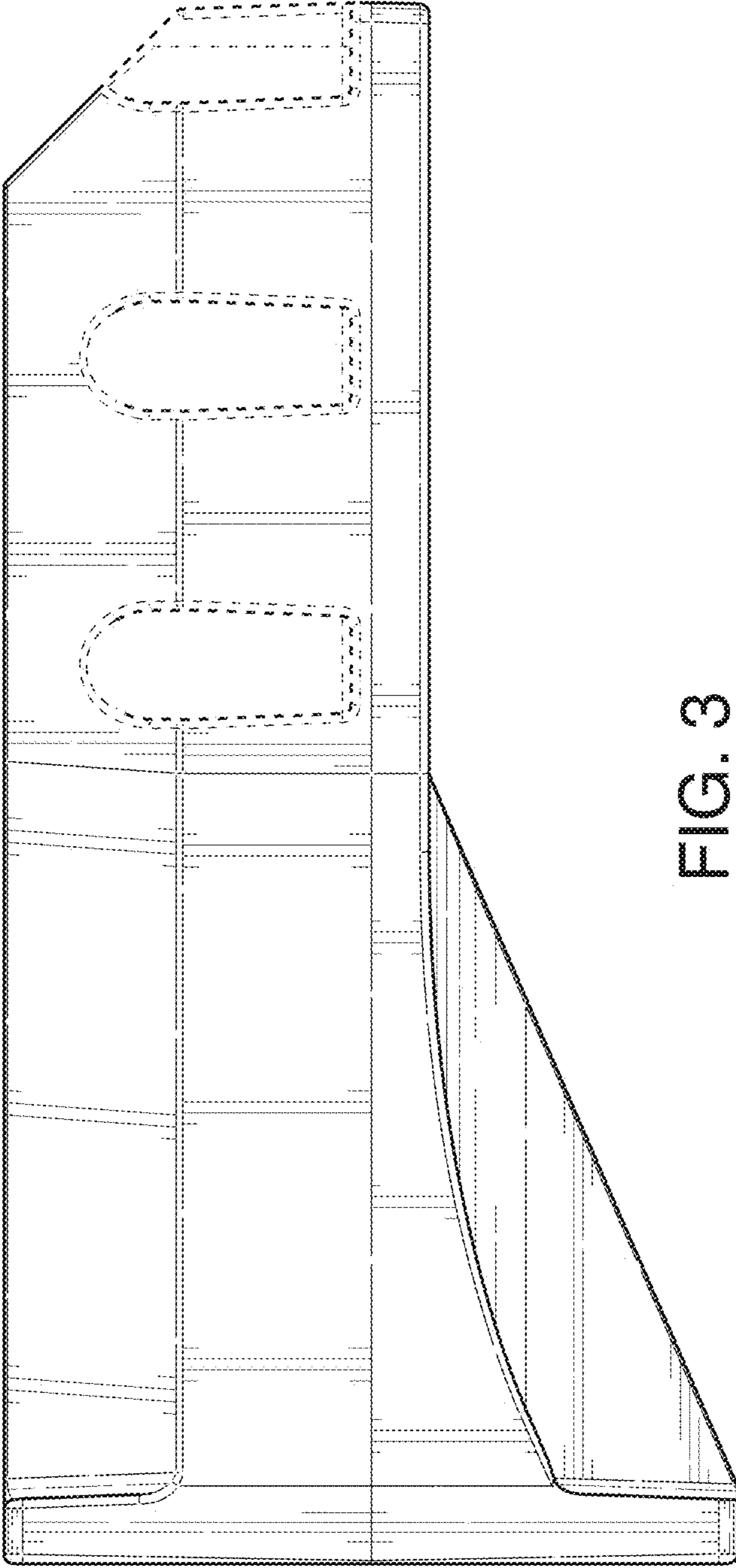


FIG. 3

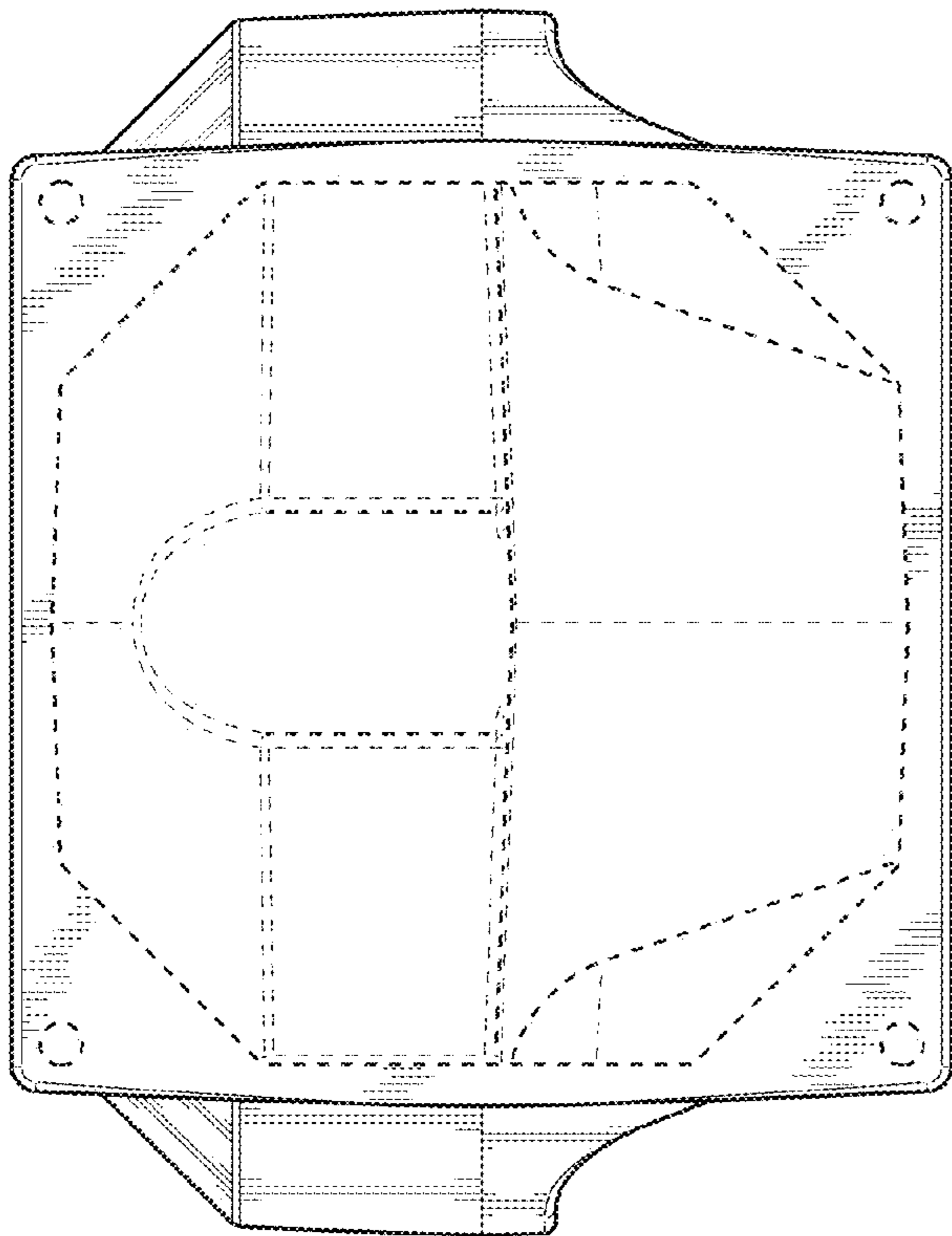


FIG. 4

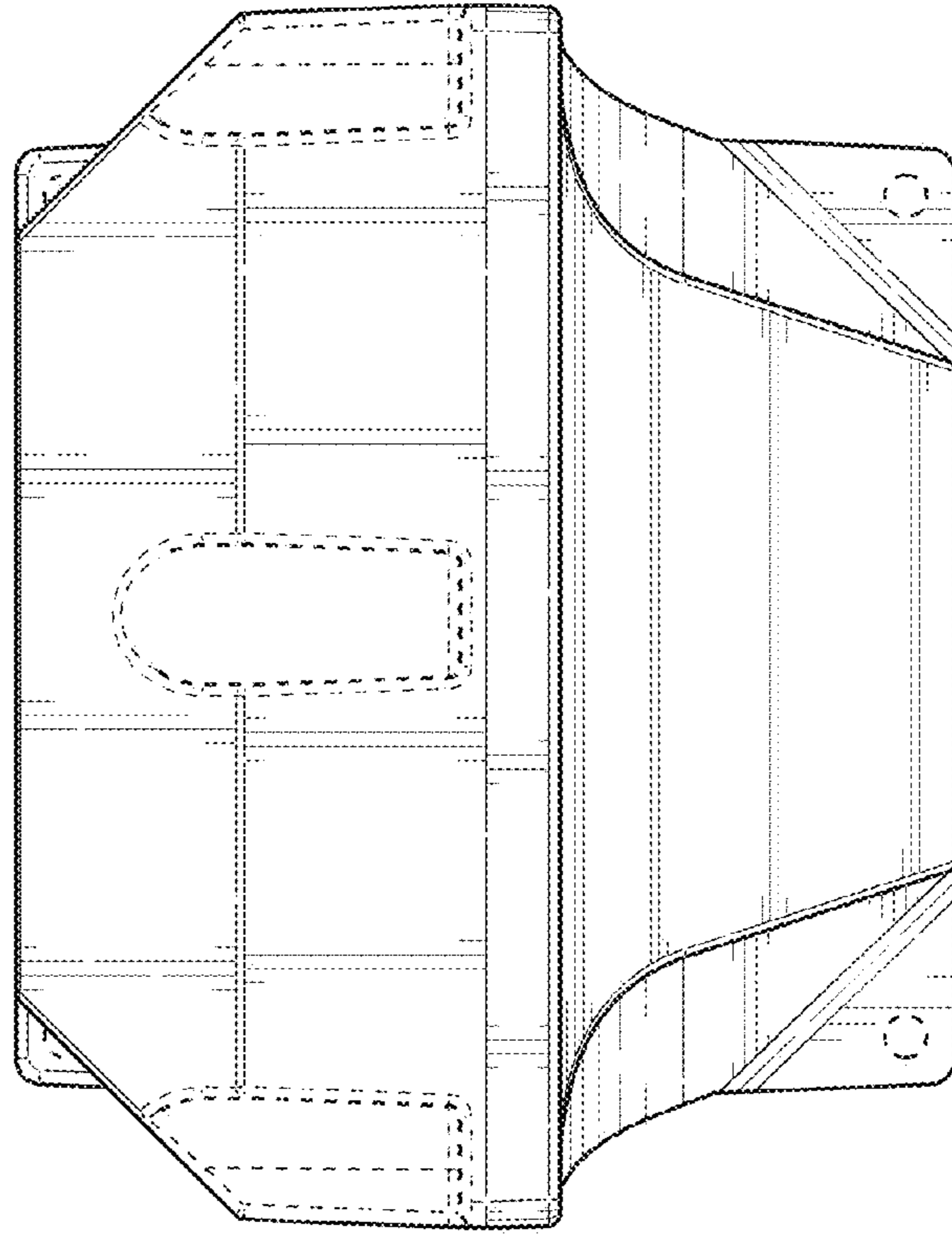


FIG. 5

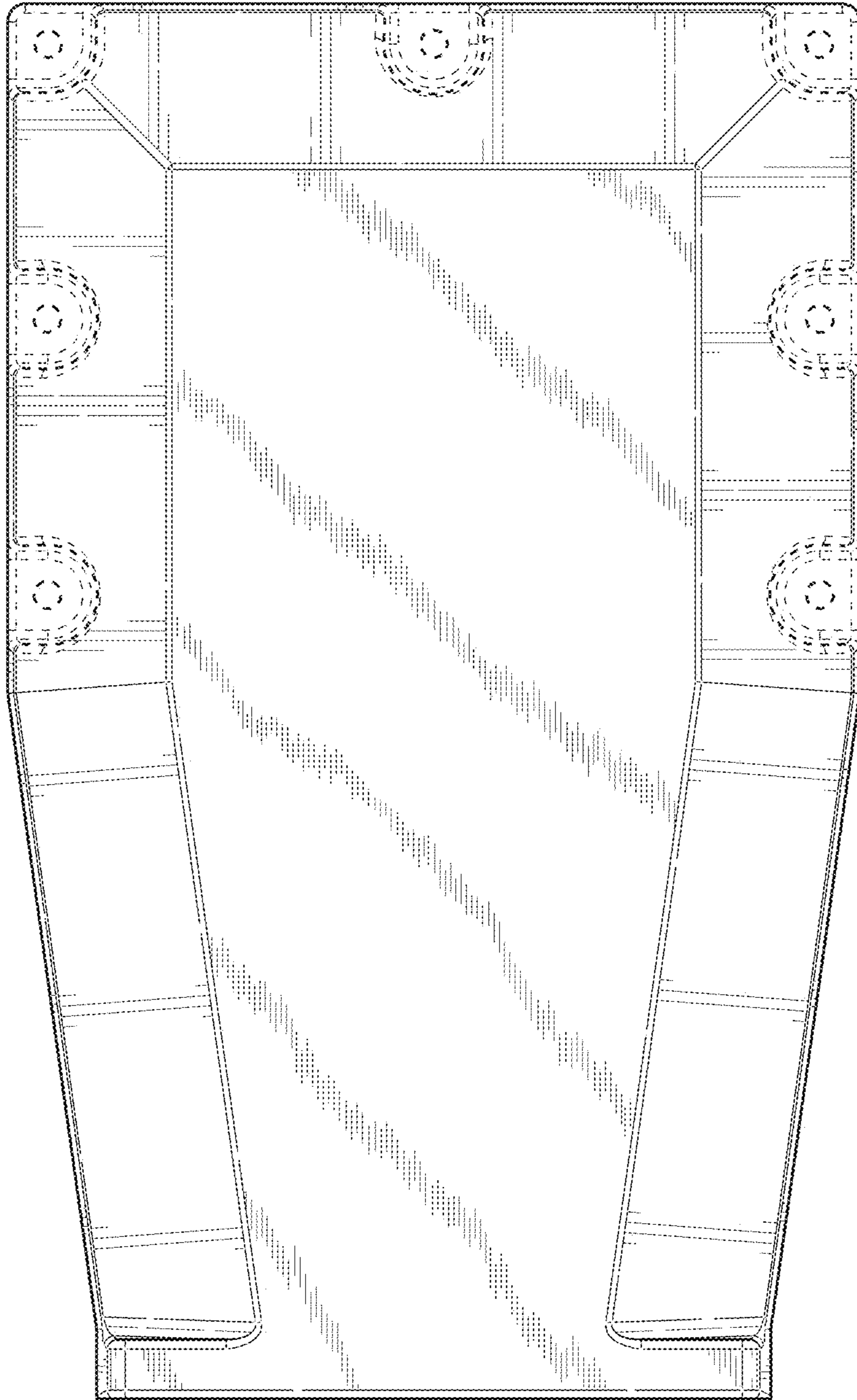


FIG. 6

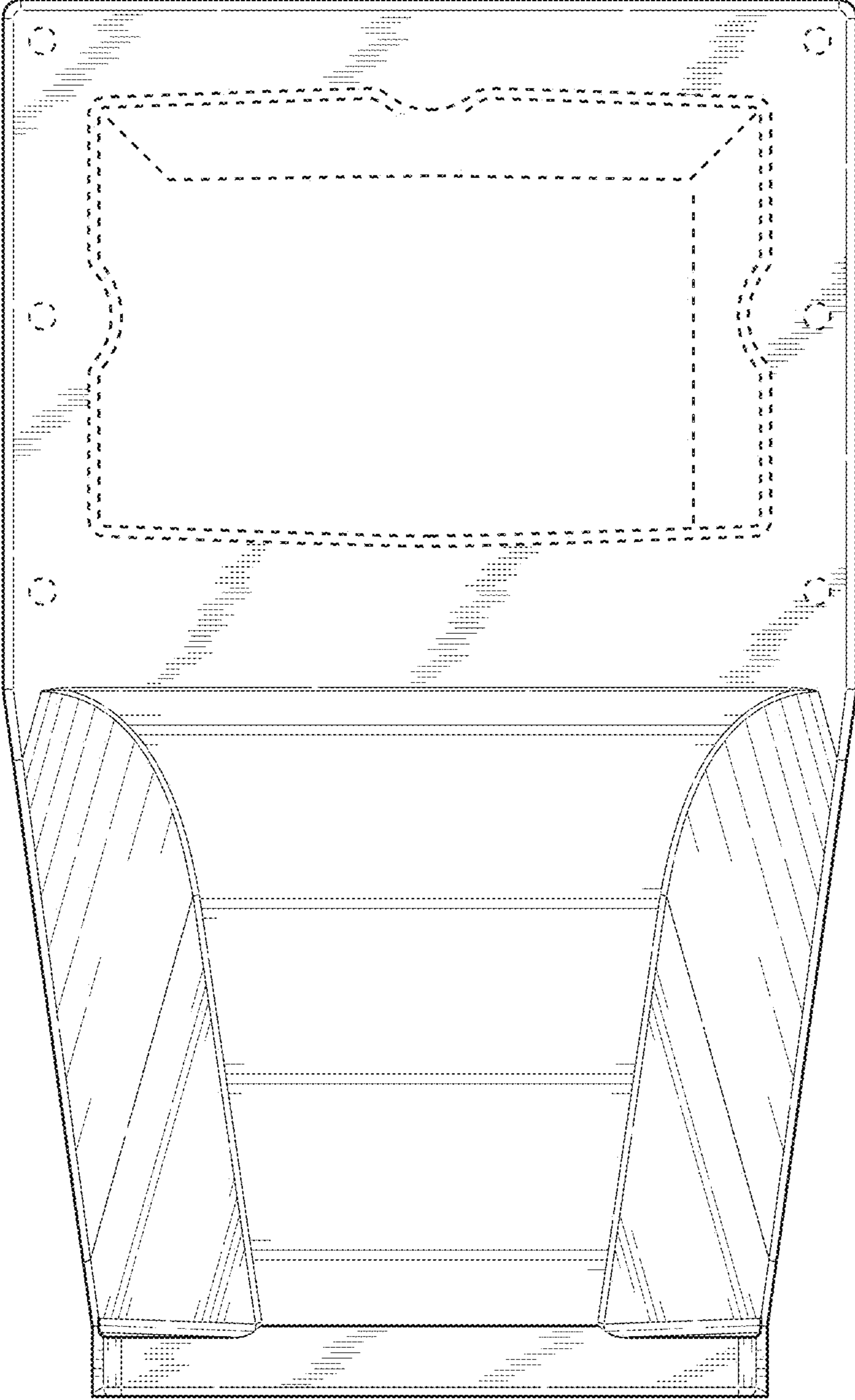


FIG. 7