



US00D871194S

(12) **United States Design Patent**
Watanabe et al.

(10) **Patent No.:** **US D871,194 S**

(45) **Date of Patent:** **** Dec. 31, 2019**

(54) **PAD**

(71) Applicant: **HIRATA CORPORATION,**
Kumamoto (JP)

(72) Inventors: **Hiroki Watanabe,** Kumamoto (JP);
Tetsuya Sakai, Kumamoto (JP)

(73) Assignee: **HIRATA CORPORATION,**
Kumamoto (JP)

(**) Term: **15 Years**

(21) Appl. No.: **29/674,813**

(22) Filed: **Dec. 26, 2018**

(30) **Foreign Application Priority Data**

Jun. 28, 2018 (JP) 2018-014257

(51) **LOC (12) Cl.** **09-06**

(52) **U.S. Cl.**
USPC **D8/356**

(58) **Field of Classification Search**
USPC D8/356, 354, 349; D13/155; 320/107;
403/322.2
CPC H02J 7/0026; H02J 7/0021; H02J 7/0027;
Y02E 60/12; F16B 45/00; F16B 7/042
See application file for complete search history.

(56) **References Cited**

U.S. PATENT DOCUMENTS

- 3,062,475 A * 11/1962 Miller, Jr. A01K 97/06
242/405.1
- 4,150,798 A * 4/1979 Aragon H02G 11/02
191/12.2 R
- 4,390,142 A * 6/1983 Cheng H02G 11/02
242/388.1
- 4,802,638 A * 2/1989 Burger B65H 75/143
242/388.1
- 4,968,010 A * 11/1990 Odobasic B60G 11/48
267/140.11

- 5,873,540 A * 2/1999 Hardin B65H 75/143
206/406
- 6,234,418 B1 * 5/2001 Donaldson B65H 75/28
191/12.2 R
- 6,554,218 B2 * 4/2003 Buyce B65H 75/143
242/388.6

(Continued)

OTHER PUBLICATIONS

Jul. 19, 2019, Korean Office Action issued for related KR Appli-
cation No. 30-2018-0061726.

(Continued)

Primary Examiner — Cynthia R Underwood
(74) *Attorney, Agent, or Firm* — Paratus Law Group,
PLLC

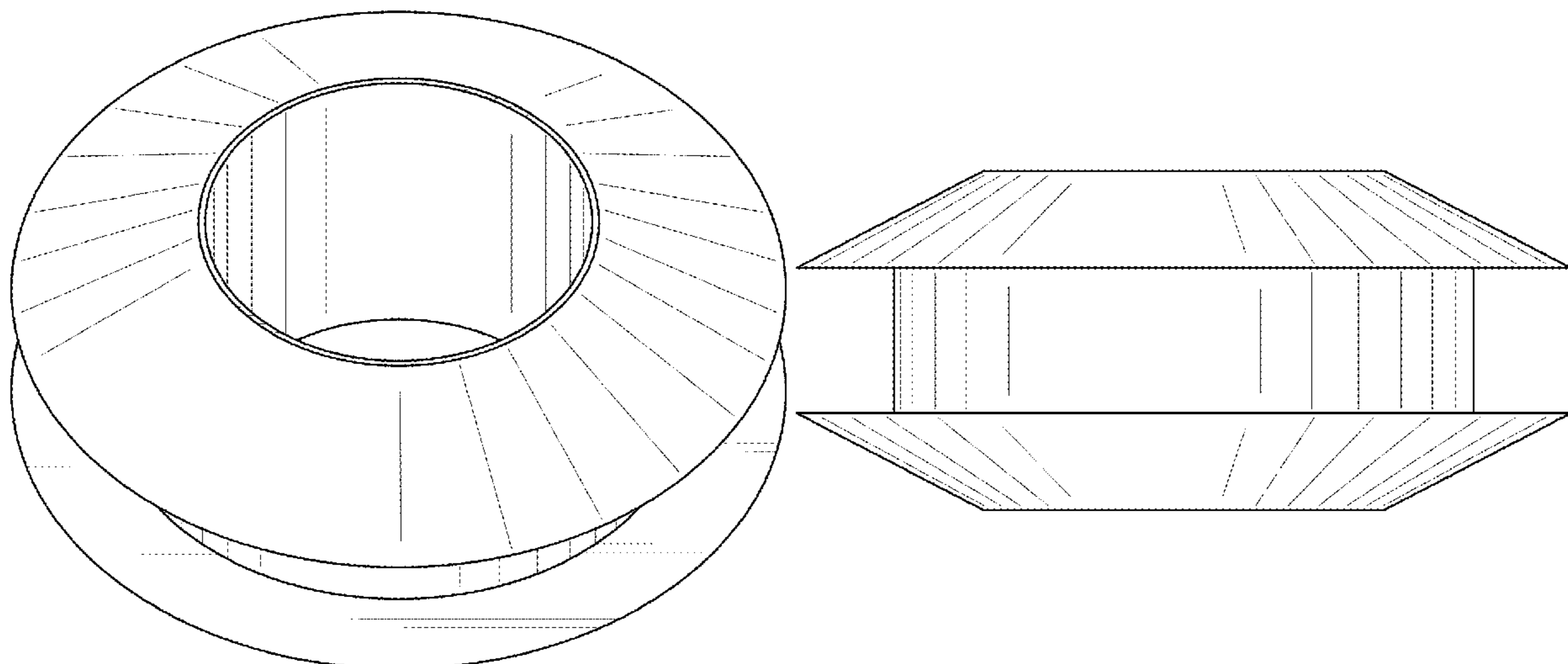
(57) **CLAIM**

The ornamental design for a pad, as shown and described.

DESCRIPTION

FIG. 1 is a perspective view of a pad showing our new design;
 FIG. 2 is a front view thereof, a rear view being a mirror image thereof;
 FIG. 3 is a right side view thereof, a left side view being a mirror image thereof;
 FIG. 4 is a top view thereof, a bottom view being a mirror image thereof;
 FIG. 5 is a cross sectional view taken along line 5-5 in FIG. 2;
 FIG. 6 is a perspective view thereof shown reduced in scale and in an environment of use; and,
 FIG. 7 is another perspective view thereof shown reduced in scale and in an environment of use.
 The broken lines shown in the drawings are for the purpose of illustrating environmental structure and form no part of the claimed design.

1 Claim, 5 Drawing Sheets



(56)

References Cited

U.S. PATENT DOCUMENTS

6,966,791 B1 * 11/2005 Farr B65H 75/406
 206/303
 7,077,693 B1 * 7/2006 Symons H01R 13/72
 191/12.4
 D539,117 S * 3/2007 Sealey D8/349
 D542,123 S * 5/2007 Symons D8/356
 D554,017 S * 10/2007 Hampton D10/119.1
 D563,206 S * 3/2008 Bakker D8/356
 7,387,275 B1 * 6/2008 Hui A01K 89/00
 242/588.3
 7,399,199 B2 * 7/2008 Symons H01R 13/72
 439/242
 D591,678 S * 5/2009 Whitley D13/133
 D598,480 S * 8/2009 Kanemitsu D15/148
 7,654,484 B2 * 2/2010 Mogensen A61M 5/1418
 242/402
 7,686,830 B2 * 3/2010 Collier A61B 17/0401
 24/115 N
 D631,730 S * 2/2011 Skillman B65H 75/143
 D8/356
 D644,306 S * 8/2011 Douglass, III D23/269
 D645,334 S * 9/2011 Kanemitsu D8/360
 D685,771 S * 7/2013 Bertenthal D14/223
 8,474,105 B2 * 7/2013 Naquin B63B 21/20
 24/115 R
 D692,293 S * 10/2013 Toscani D8/356

D716,640 S * 11/2014 Martinson D8/356
 D722,621 S * 2/2015 Gray D15/28
 D735,020 S * 7/2015 Bradford D8/356
 9,187,291 B2 * 11/2015 Alexandre B65H 75/34
 D748,455 S * 2/2016 Symons D8/356
 D774,877 S * 12/2016 Gonzalez D8/356
 9,874,039 B2 * 1/2018 Haas E04H 15/64
 2002/0145073 A1 * 10/2002 Swanson A61F 15/002
 242/588.3
 2003/0122023 A1 * 7/2003 Pitcher B65H 75/143
 242/388.1
 2004/0178398 A1 * 9/2004 Miller F16H 55/44
 254/390
 2008/0200064 A1 * 8/2008 Chong H02G 3/22
 439/571
 2011/0036676 A1 * 2/2011 Skillman B65H 75/143
 191/12.4
 2012/0305868 A1 * 12/2012 Callahan H02G 3/12
 254/134.3 R

OTHER PUBLICATIONS

Uxcell Wire Protector Oil Resistant Armature Rubber Grommet
 5mm Inner Dia 100pcs Black, May 28, 2018, Retrieved from:
[https://www.amazon.com/uxcell-protector-resistant-armature-grommets/
 dp/B07DC7YFPL/re.](https://www.amazon.com/uxcell-protector-resistant-armature-grommets/dp/B07DC7YFPL/re)

* cited by examiner

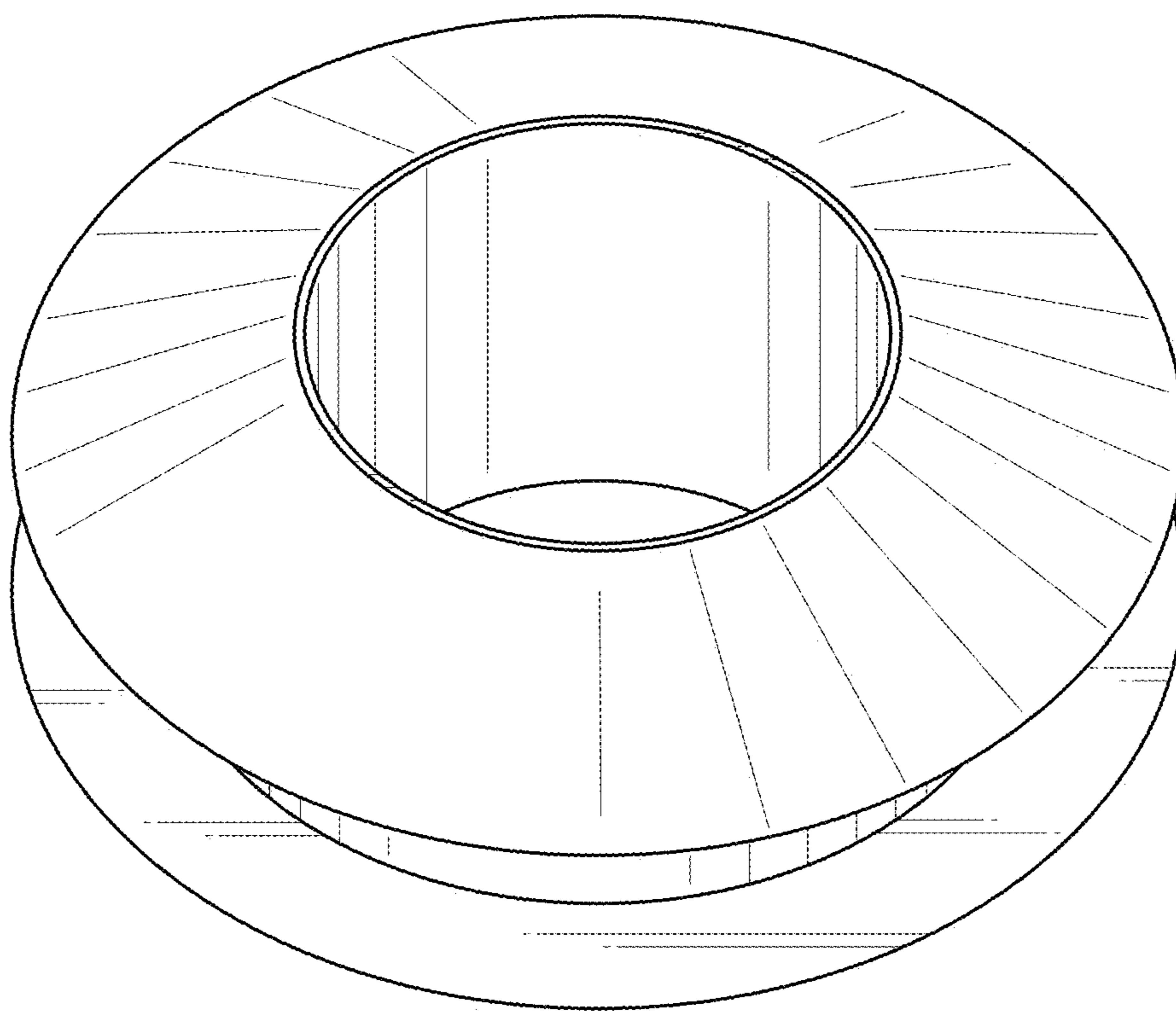


FIG. 1

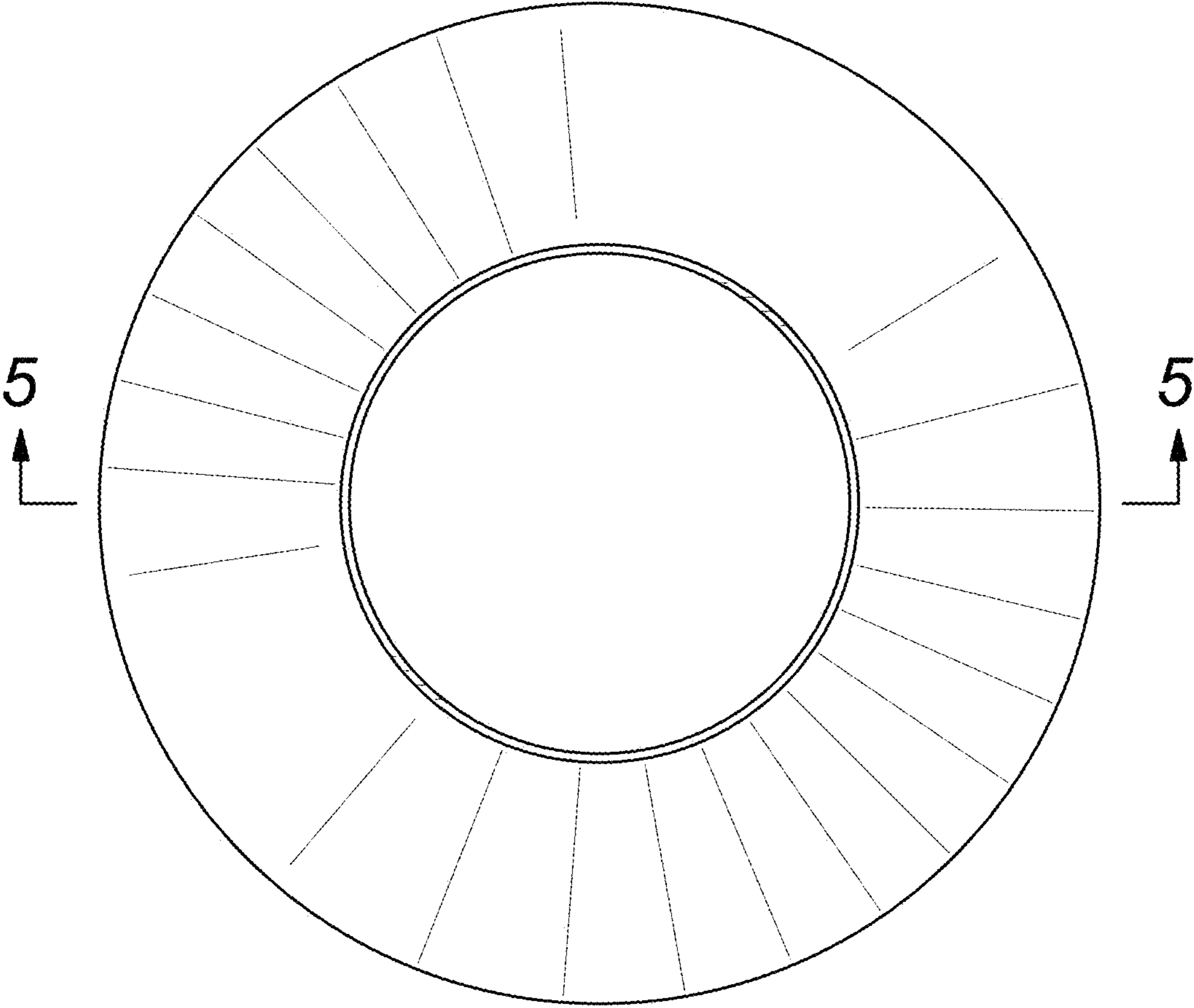


FIG. 2

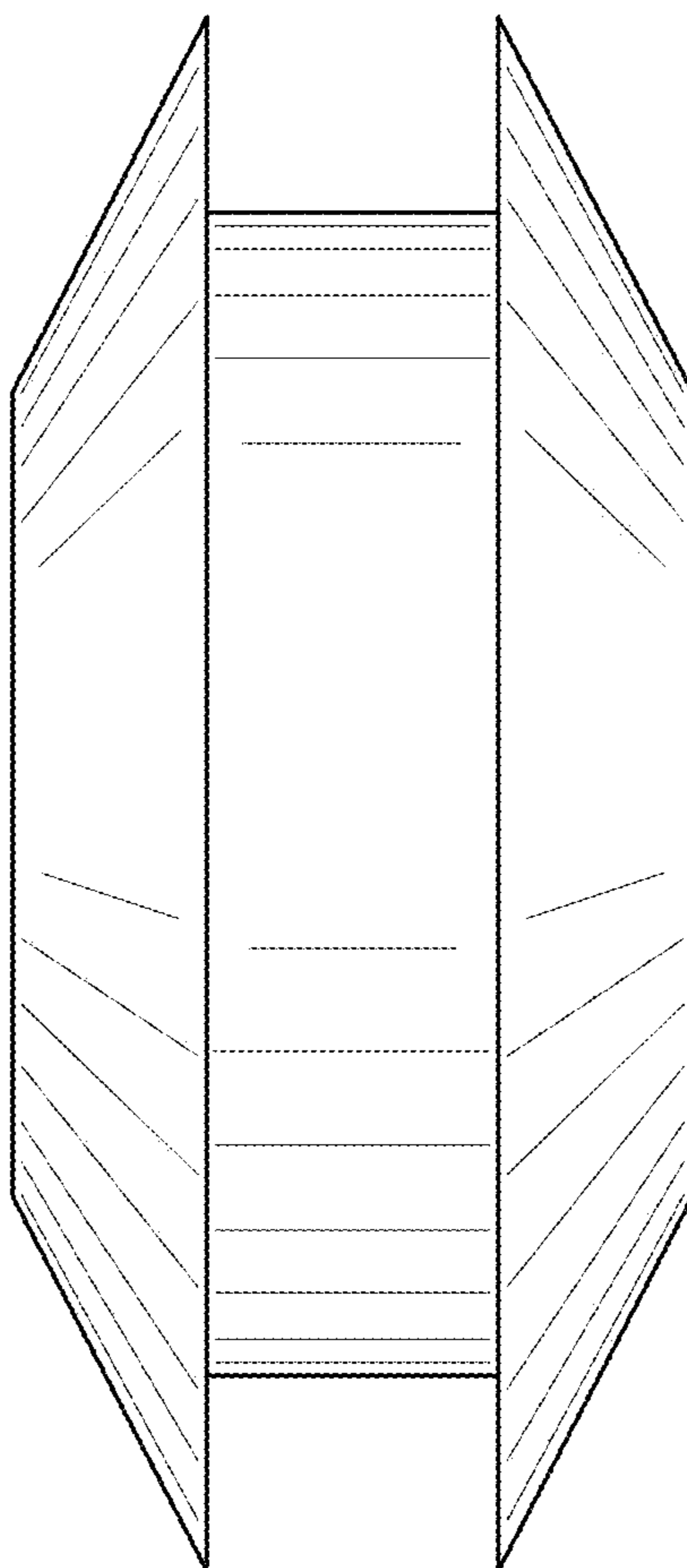


FIG. 3

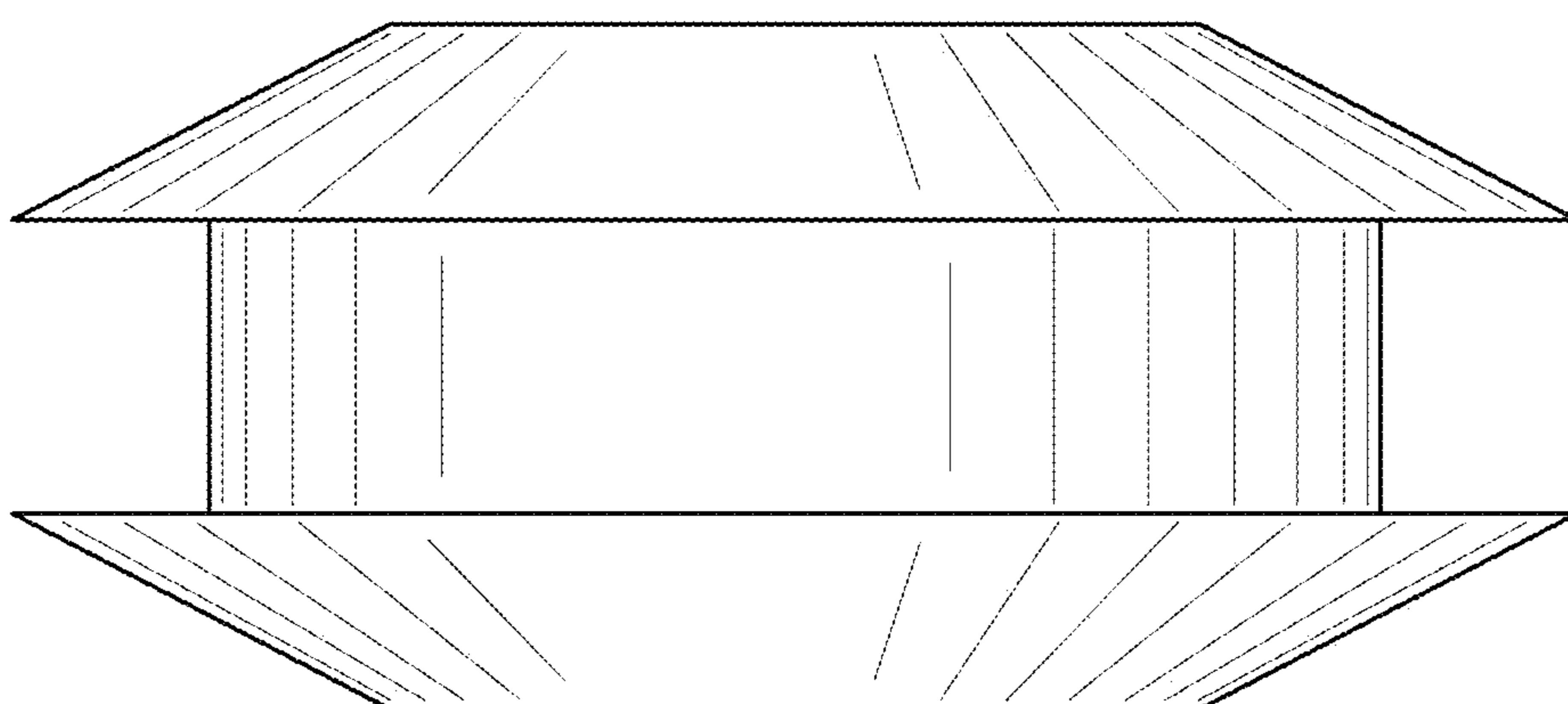


FIG. 4

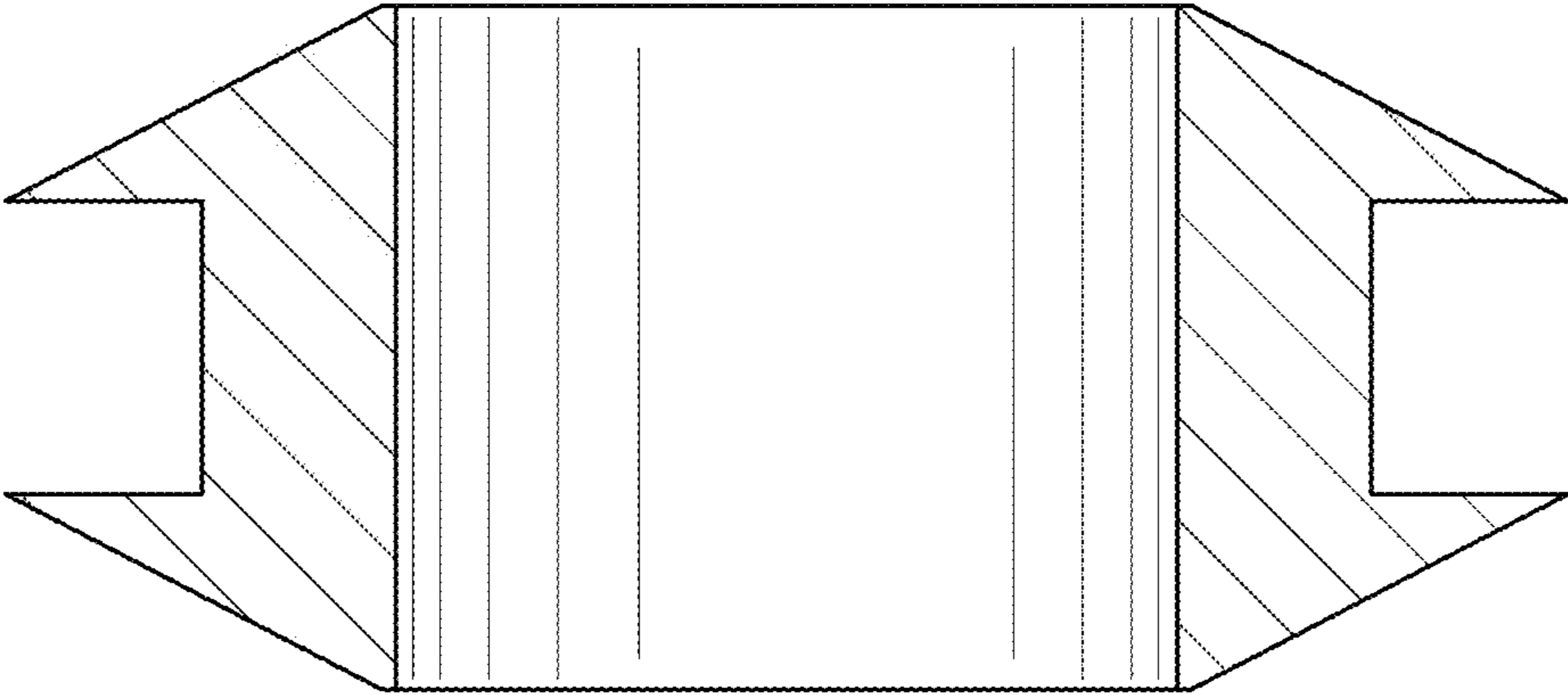


FIG. 5

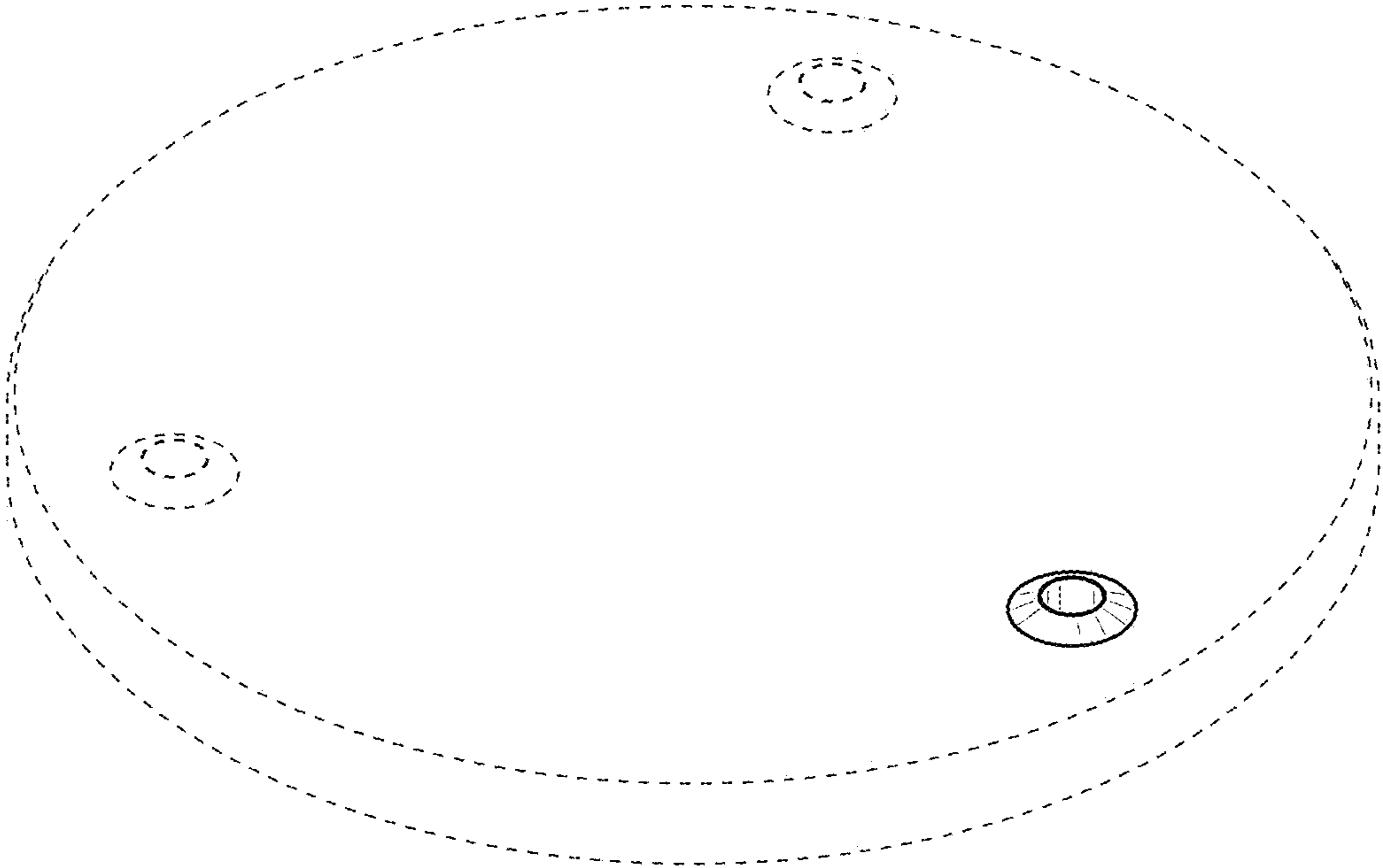


FIG. 6

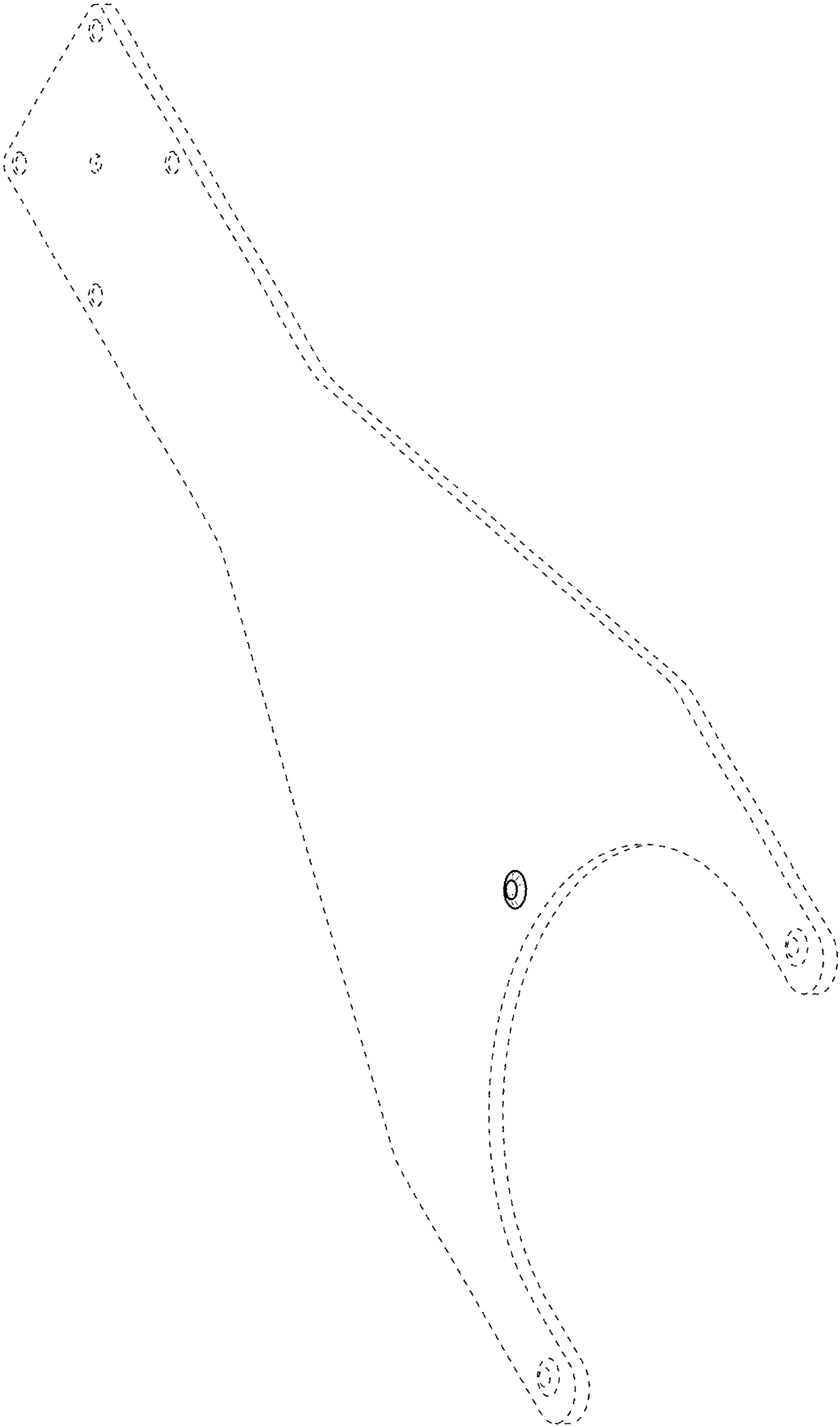


FIG. 7