



US00D871192S

(12) **United States Design Patent** (10) **Patent No.:** **US D871,192 S**  
**Lee** (45) **Date of Patent:** **\*\* Dec. 31, 2019**

(54) **SPIRAL-GROOVED HOSE REEL**  
(71) Applicant: **Stephen Lee**, Uxbridge (CA)  
(72) Inventor: **Stephen Lee**, Uxbridge (CA)  
(\*\*) Term: **15 Years**

D672,635 S \* 12/2012 Phillips ..... D8/359  
D673,030 S \* 12/2012 Phillips ..... D8/359  
D742,204 S \* 11/2015 Fortier ..... D8/358  
D742,205 S \* 11/2015 Fortier ..... D8/358  
D801,785 S \* 11/2017 Thuma ..... D8/358  
D854,402 S \* 7/2019 Thuma ..... D8/359  
2004/0188558 A1 \* 9/2004 Moon ..... B65H 75/403  
242/403.1  
2004/0206849 A1 10/2004 Harrington  
2009/0139583 A1 6/2009 Tannahill  
2018/0146653 A1 5/2018 Saito

(21) Appl. No.: **29/673,751**

(22) Filed: **Dec. 18, 2018**

(51) **LOC (12) Cl.** ..... **09-06**

(52) **U.S. Cl.**  
USPC ..... **D8/356; D8/359**

(58) **Field of Classification Search**  
USPC ..... D8/356, 354, 349, 358, 359; D13/155;  
320/107; 403/322.2; D3/201;  
137/355.27  
CPC ..... H02J 7/0026; H02J 7/0021; H02J 7/0027;  
Y02E 60/12; F16B 45/00; F16B 7/042  
See application file for complete search history.

**FOREIGN PATENT DOCUMENTS**

GB 909001 10/1962

\* cited by examiner

*Primary Examiner* — Cynthia R Underwood

(57) **CLAIM**

I claim the ornamental design for a spiral-grooved hose reel, as shown and described.

**DESCRIPTION**

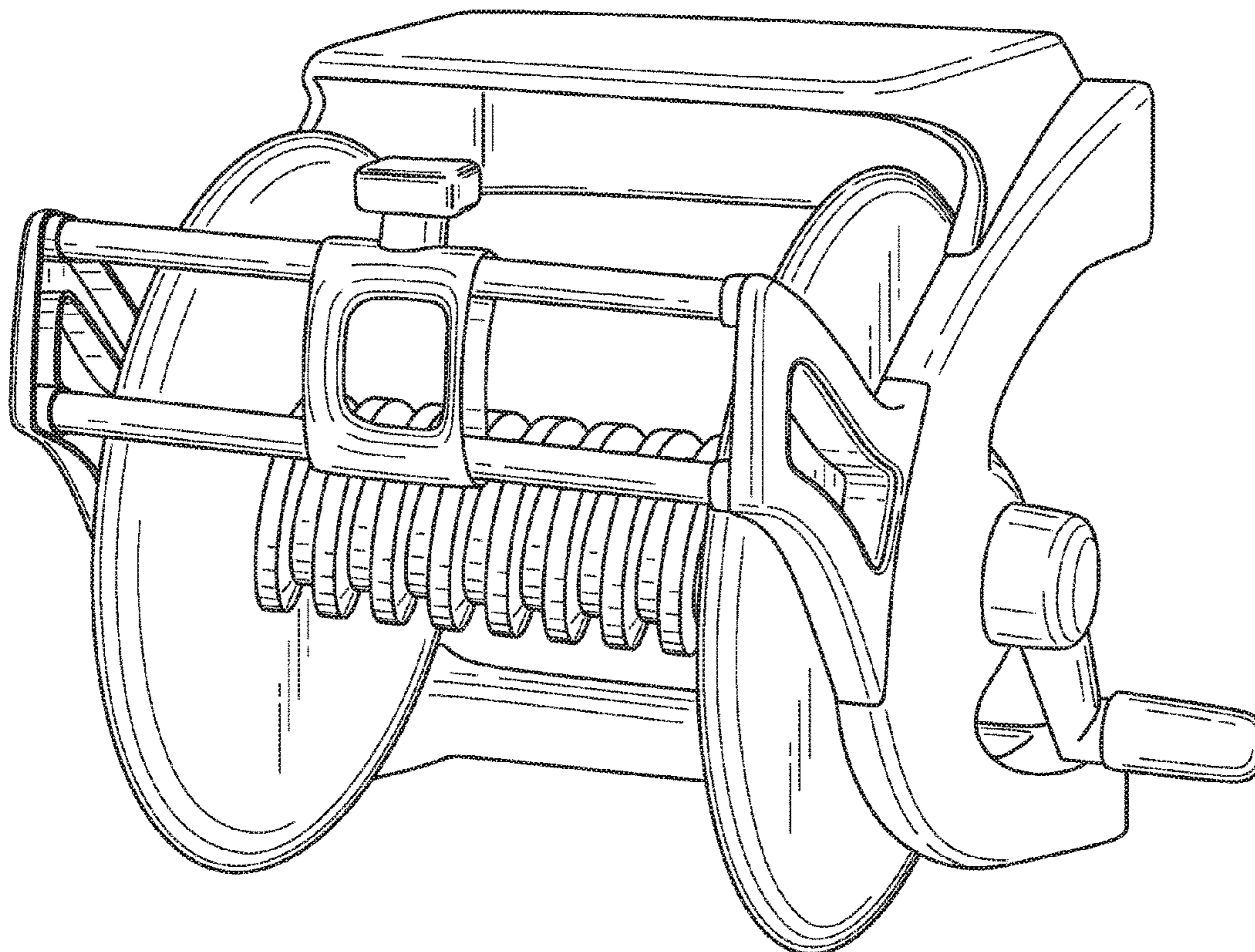
FIG. 1 is a front view of the spiral-grooved hose reel.  
FIG. 2 is a rear view of the claimed design.  
FIG. 3 is a left side view of the claimed design.  
FIG. 4 is a right side view of the claimed design.  
FIG. 5 is a top view of the claimed design.  
FIG. 6 is a bottom view of the claimed design; and,  
FIG. 7 is a perspective view of the claimed design.

(56) **References Cited**

**U.S. PATENT DOCUMENTS**

1,017,532 A 4/1911 Glenn  
2,787,500 A 4/1957 Miller  
5,624,084 A 4/1997 Kopetzky  
6,932,106 B1 \* 8/2005 Wang ..... B65H 75/40  
137/355.26  
D654,649 S 2/2012 Blaszcak  
D672,634 S \* 12/2012 Phillips ..... D8/358

**1 Claim, 7 Drawing Sheets**



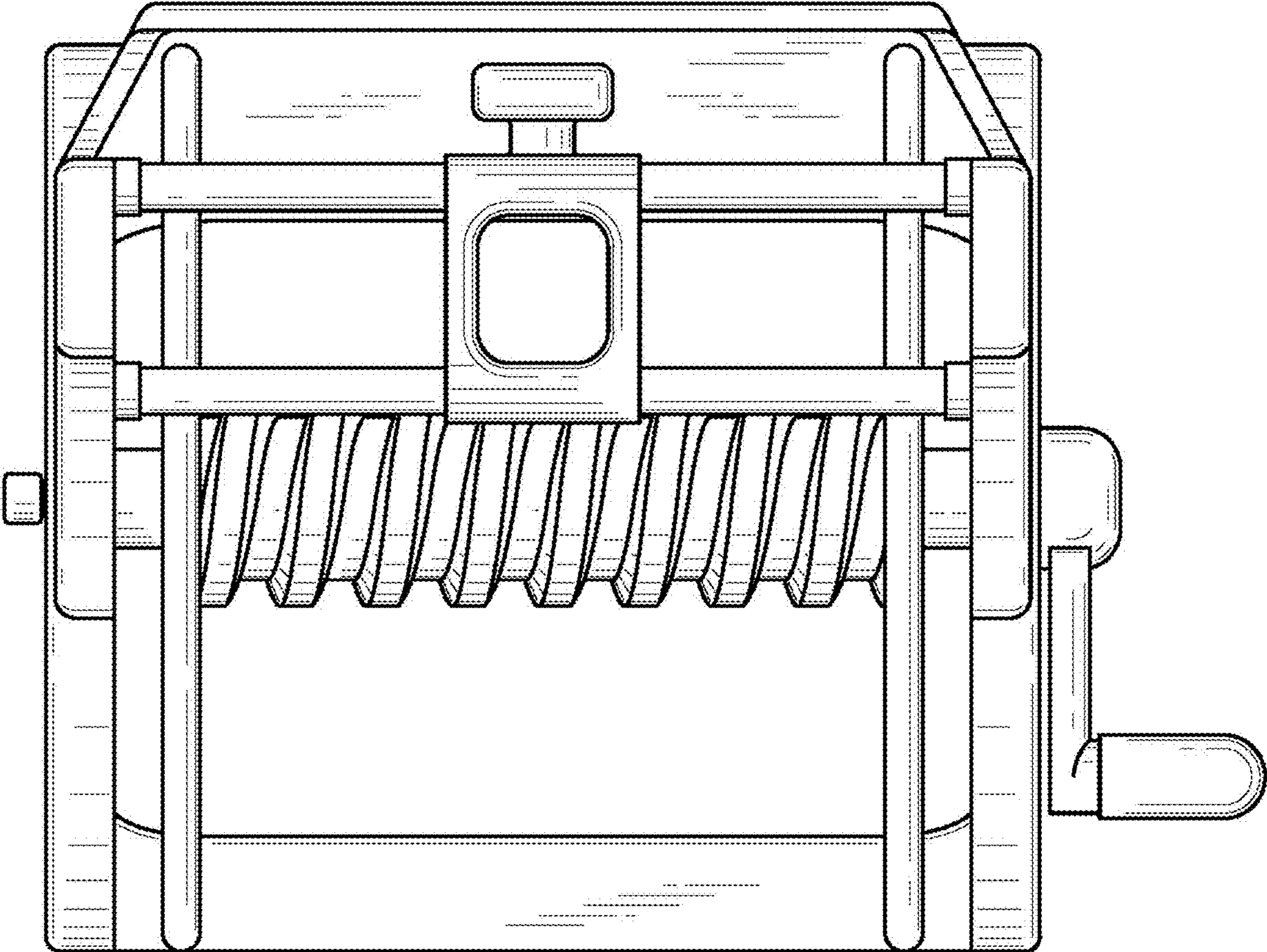


FIG. 1

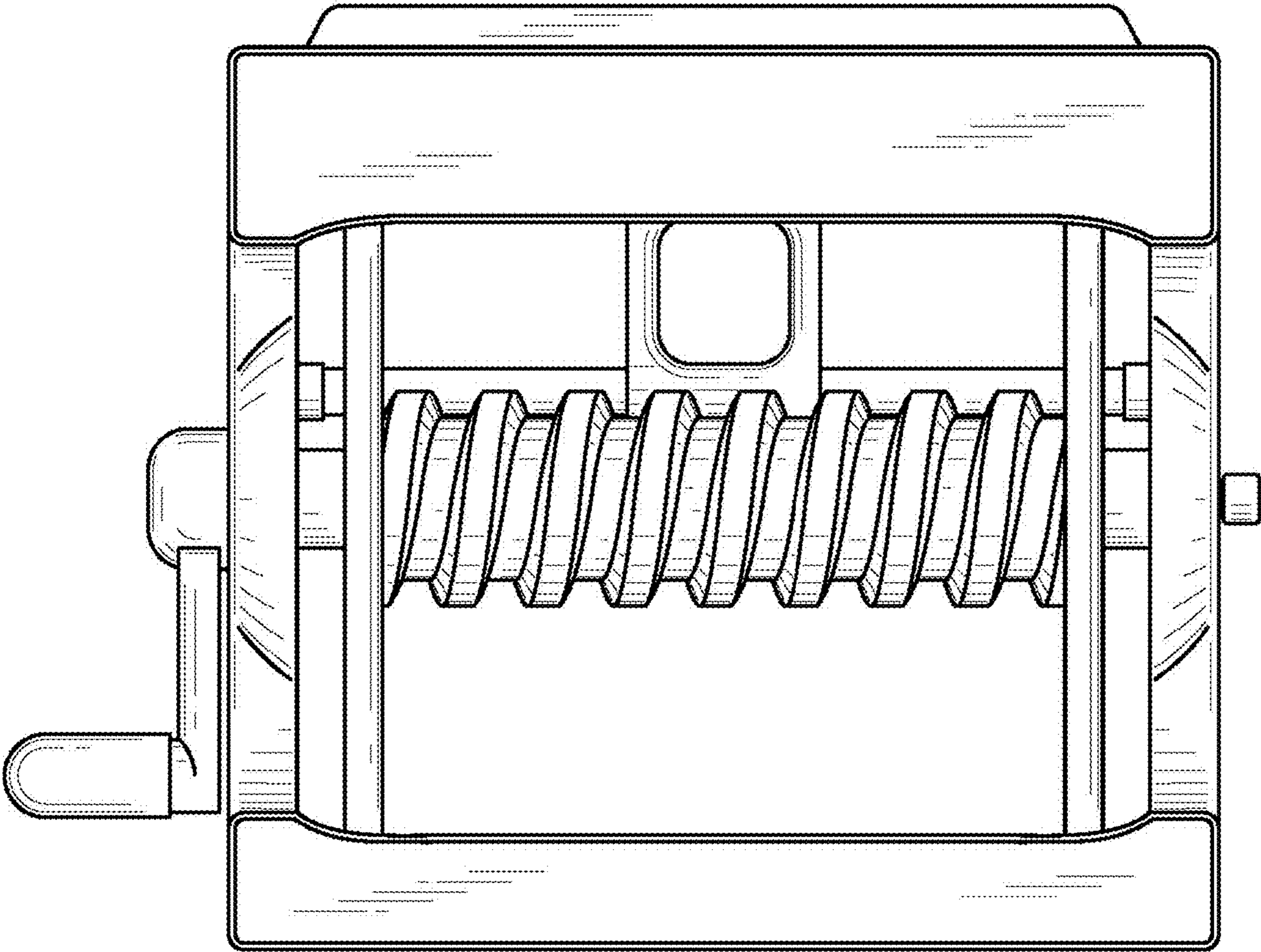


FIG. 2

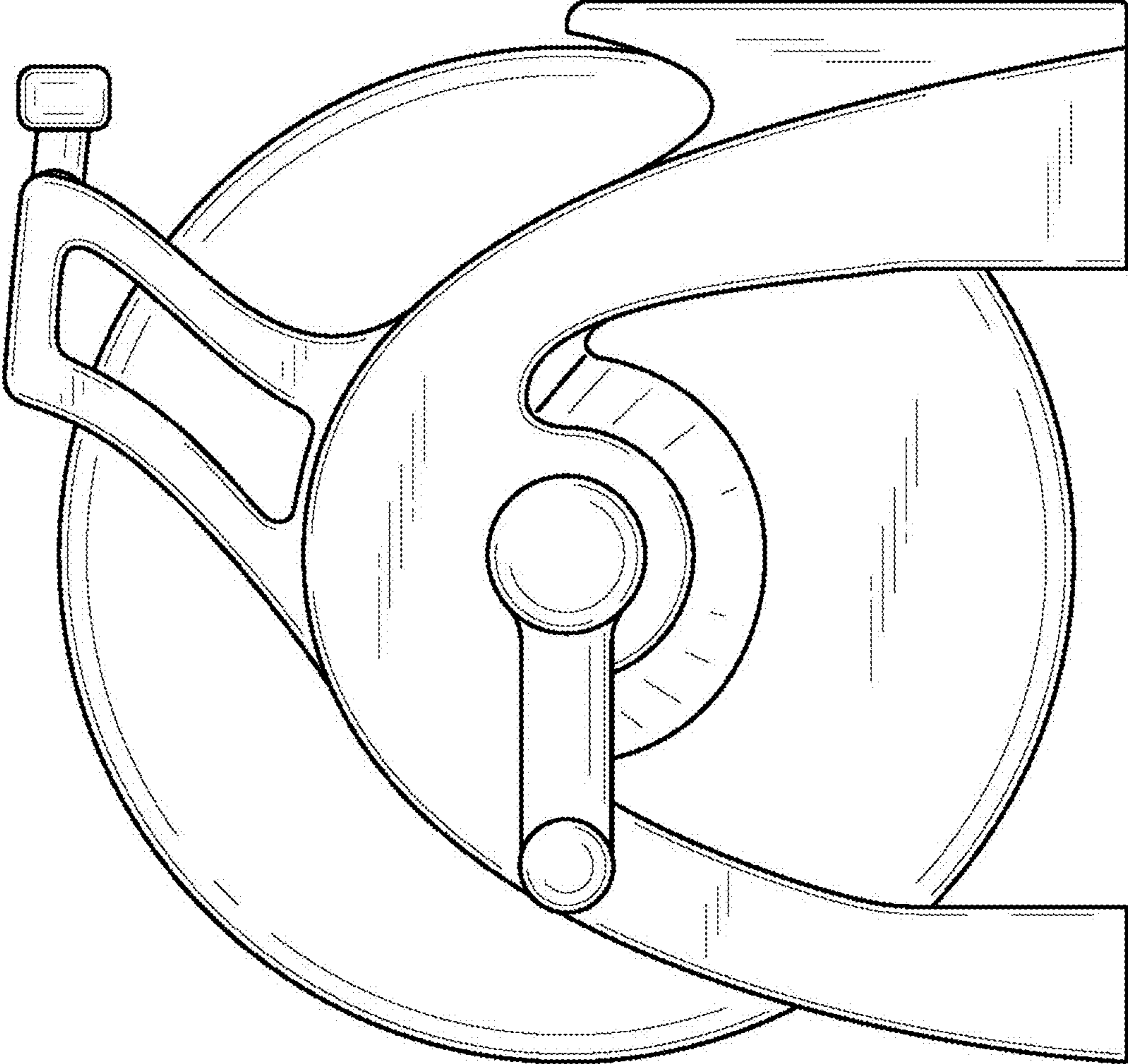


FIG. 3

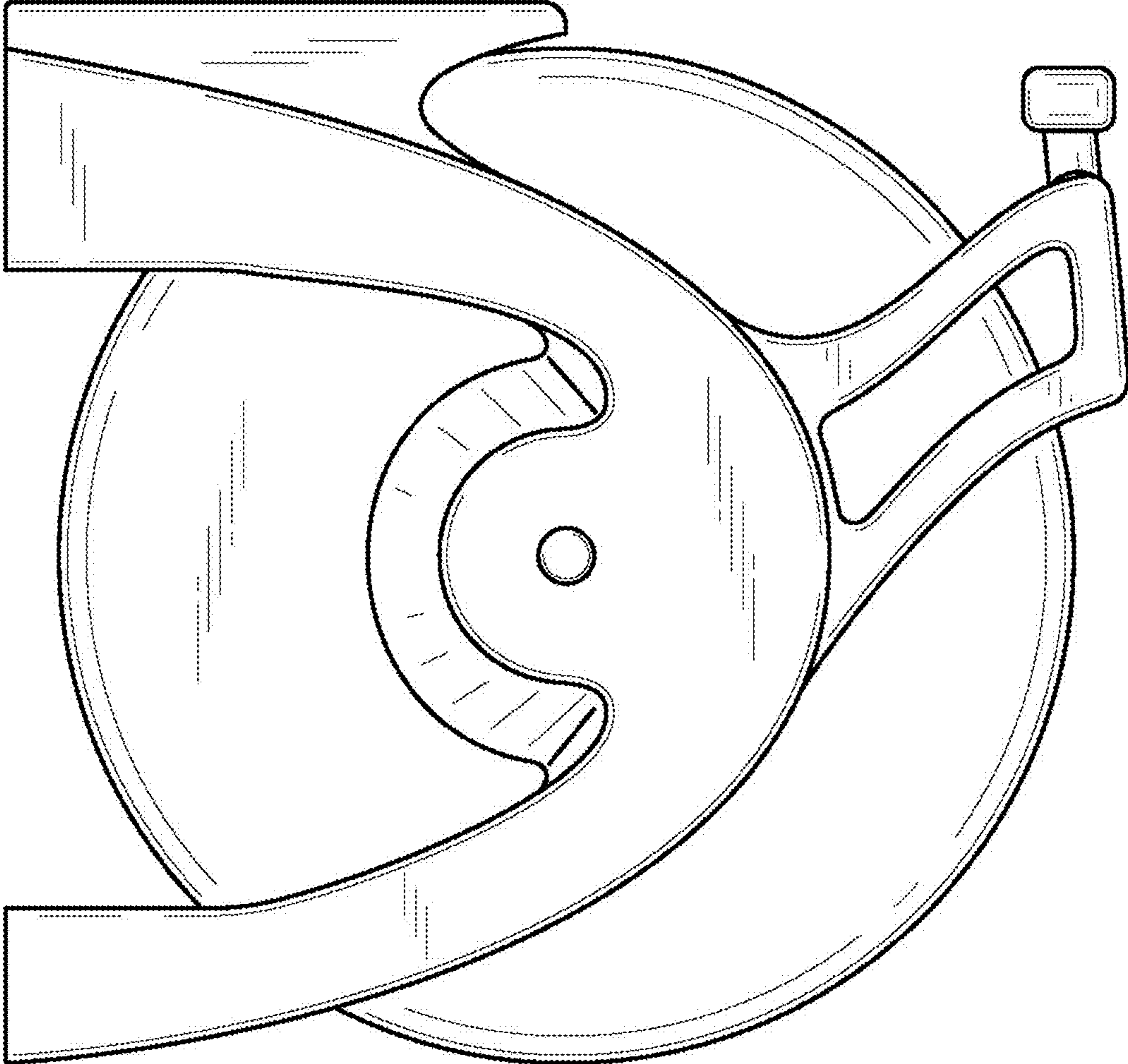


FIG. 4

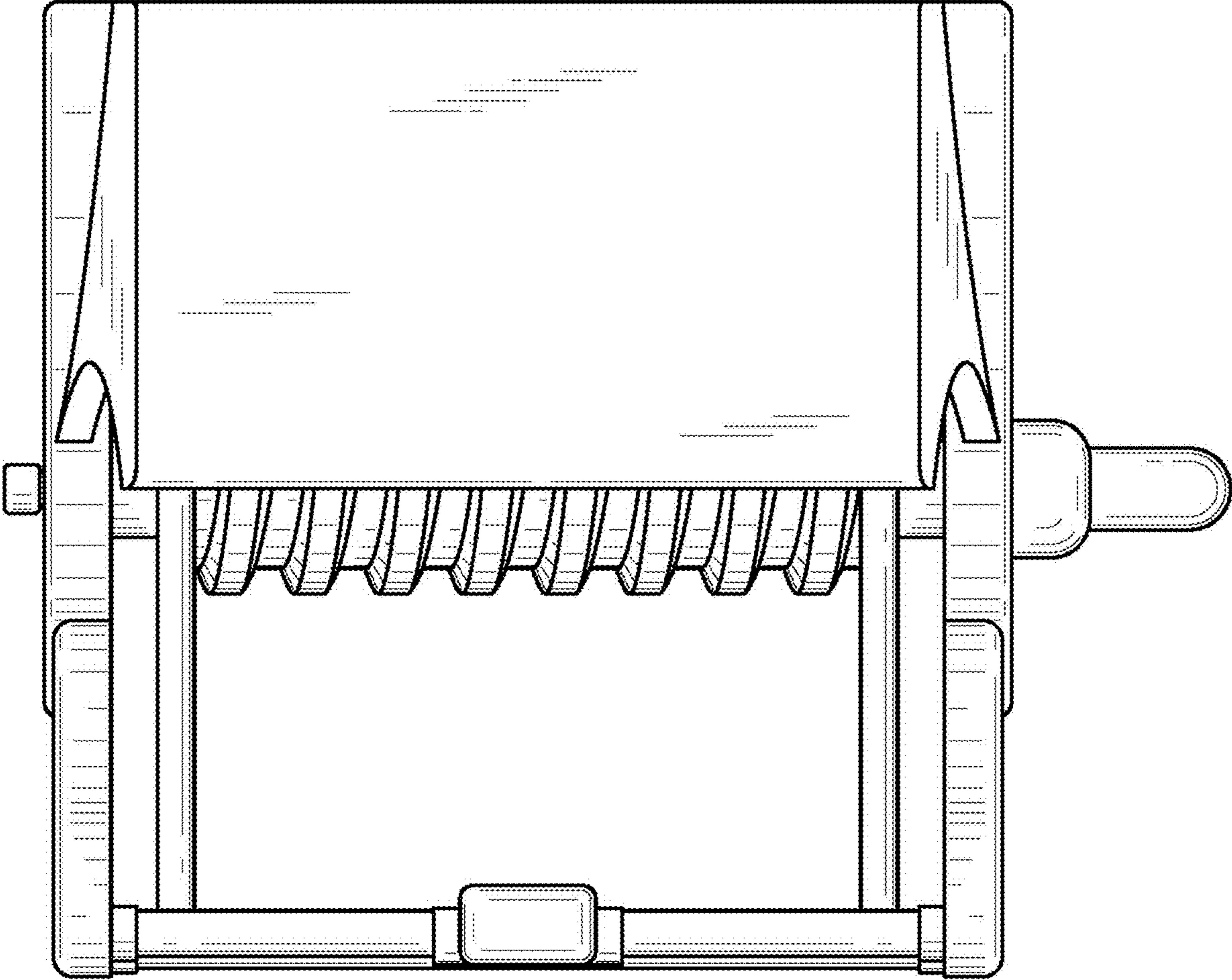


FIG. 5

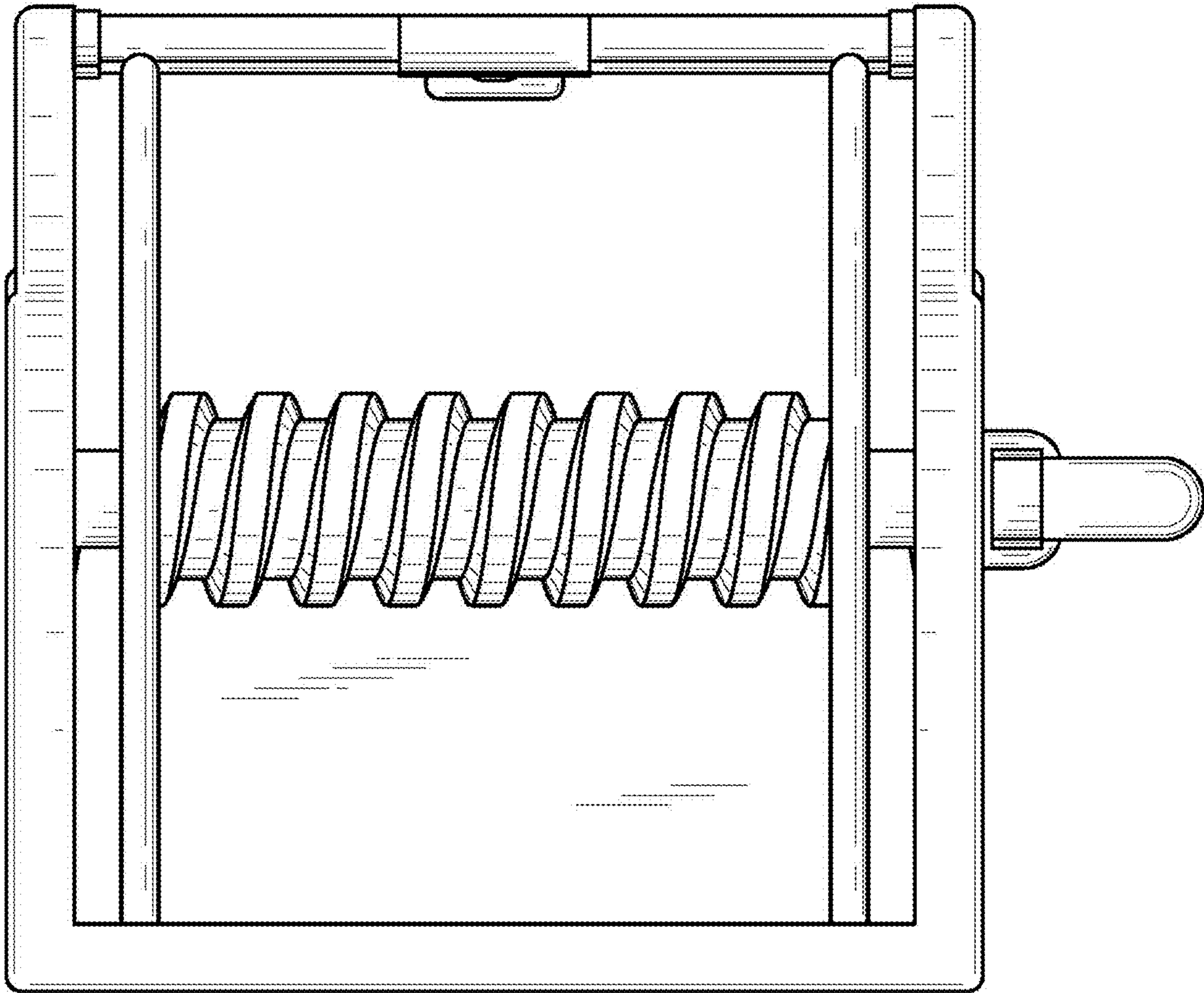


FIG. 6

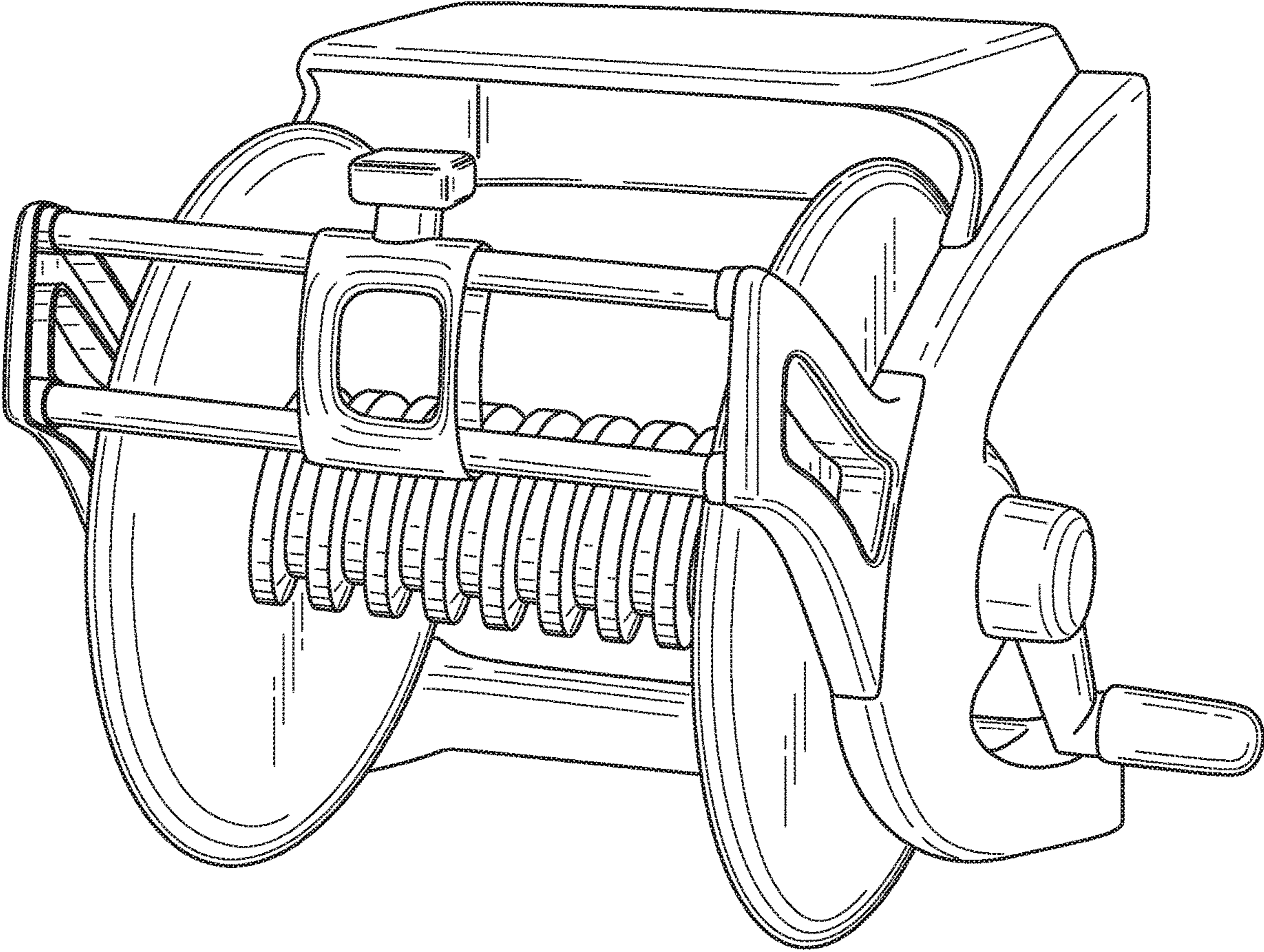


FIG. 7