



US00D871189S

(12) **United States Design Patent** (10) **Patent No.:** **US D871,189 S**
Kovacs (45) **Date of Patent:** **** Dec. 31, 2019**

- (54) **ICE FLAG FOR A SNOW FENCE**
- (71) Applicant: **PMC Industries, Inc.**, Plainville, CT (US)
- (72) Inventor: **Tamas Kovacs**, Burlington, CT (US)
- (73) Assignee: **PMC INDUSTRIES, INC.**, Plainville, CT (US)
- (**) Term: **15 Years**
- (21) Appl. No.: **29/660,836**
- (22) Filed: **Aug. 22, 2018**

- D433,459 S * 11/2000 Balchin D20/44
- D473,662 S * 4/2003 Shaw D25/119
- D512,104 S * 11/2005 Lowry D20/44
- D549,996 S * 9/2007 Guiles H02S 40/12
D25/119
- 7,703,256 B2 * 4/2010 Haddock F16B 5/0004
52/24
- D713,425 S * 9/2014 Irion D15/32
- D750,544 S * 3/2016 Burhanidust D12/223
- D751,024 S * 3/2016 Burhanidust D12/223
- D802,799 S * 11/2017 Walker D25/121
- 9,973,142 B2 * 5/2018 Stearns H02S 40/12
- D824,045 S * 7/2018 Singh D25/119
- D835,980 S * 12/2018 Kovacs D8/499
- D847,381 S * 4/2019 Ksiezopolski D25/119
- D859,140 S * 9/2019 Kovacs D8/499
- 2017/0073974 A1 * 3/2017 Kovacs E04D 13/10
- 2018/0119425 A1 * 5/2018 Kovacs F24S 25/33

Related U.S. Application Data

- (60) Division of application No. 35/001,332, filed on Mar. 1, 2017 (U.S. filing date under 35 U.S.C. 384), and having an international filing date of Mar. 1, 2017, now Pat. No. Des. 835,980, which is a continuation of application No. 15/254,892, filed on Sep. 1, 2016, now Pat. No. 9,850,661.

- (51) **LOC (12) Cl.** **08-99**
- (52) **U.S. Cl.**
USPC **D8/99**
- (58) **Field of Classification Search**
USPC D8/499
CPC E04D 13/10; E04D 13/00
See application file for complete search history.

(56) **References Cited**

U.S. PATENT DOCUMENTS

- D330,850 S * 11/1992 Roick D8/367
- D330,851 S * 11/1992 Roick D8/367
- D359,149 S * 6/1995 Nozaki D34/29

* cited by examiner

Primary Examiner — Robert M. Spear

(74) *Attorney, Agent, or Firm* — Damian Wasserbauer, Esq.; Wasserbauer Law LLC

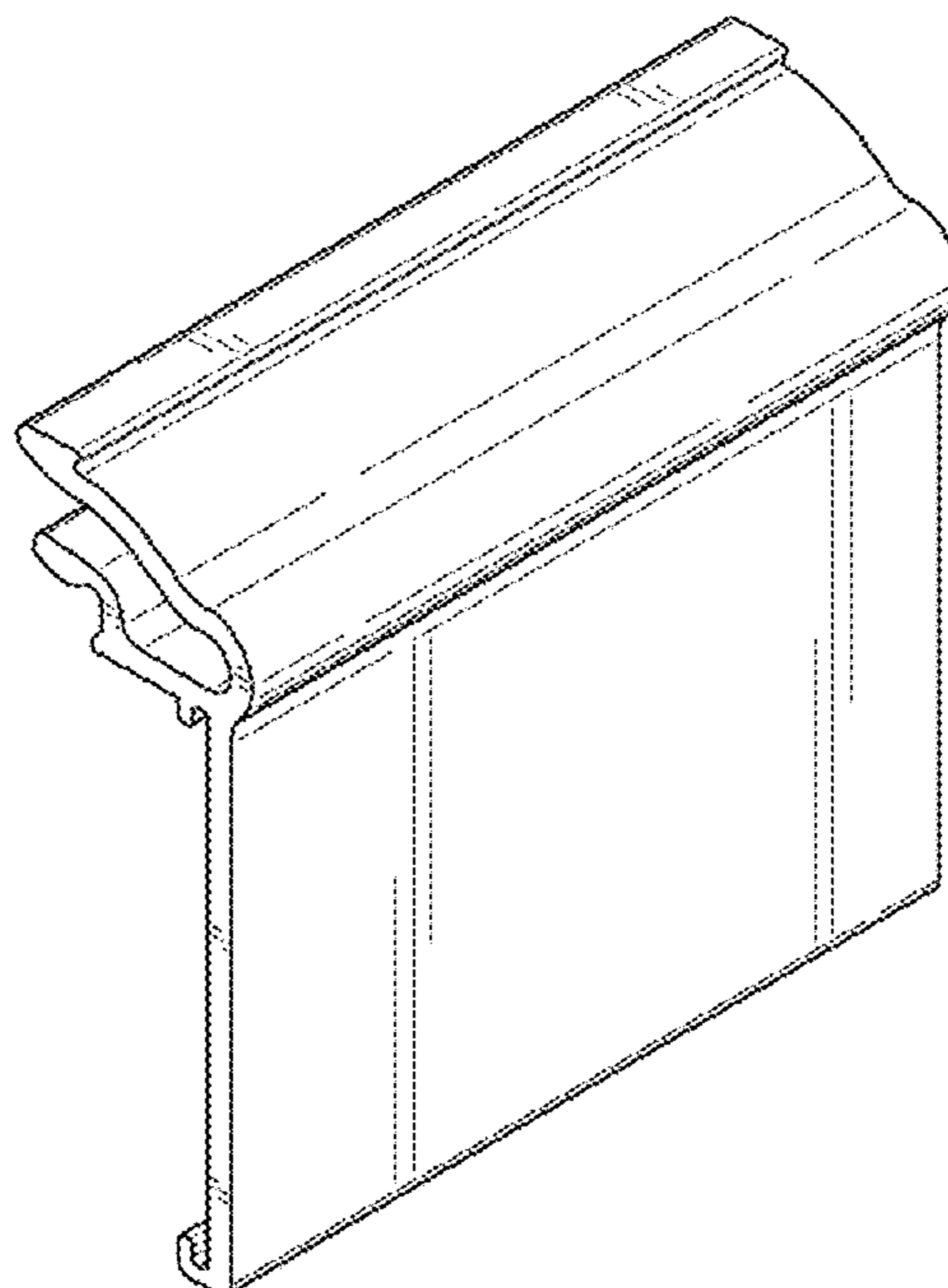
(57) **CLAIM**

The ornamental design for an ice flag for a snow fence, as shown and described.

DESCRIPTION

FIG. 1 is a perspective of an ice flag for a snow fence of the present invention;
FIG. 2 is a front view thereof;
FIG. 3 is a back view thereof;
FIG. 4 is a top view thereof;
FIG. 5 is a bottom view thereof; and,
FIG. 6 is a left side view thereof, the right side view is a mirror image of the left side view.

1 Claim, 6 Drawing Sheets



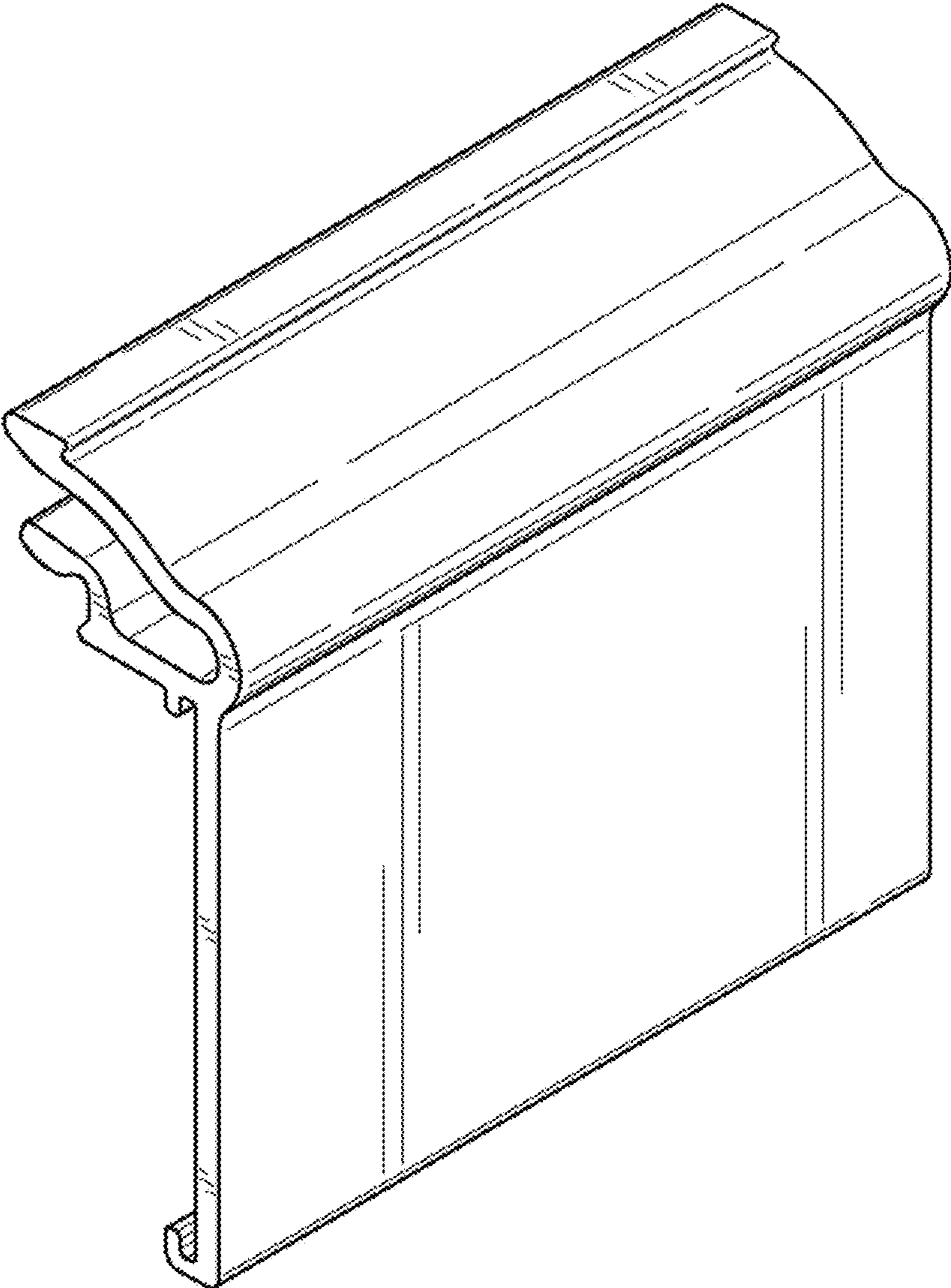


FIG. 1

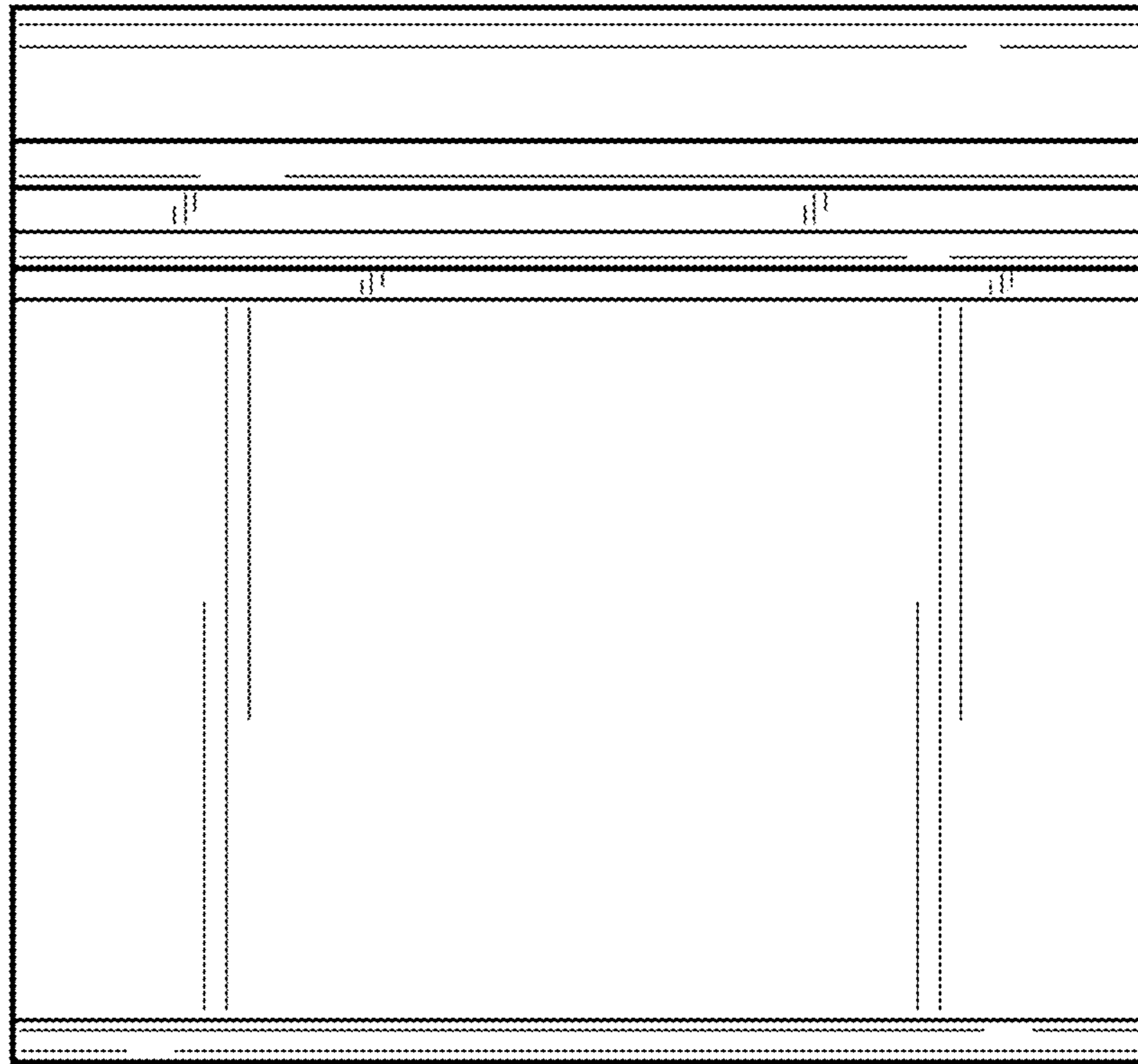


FIG. 2



FIG. 3

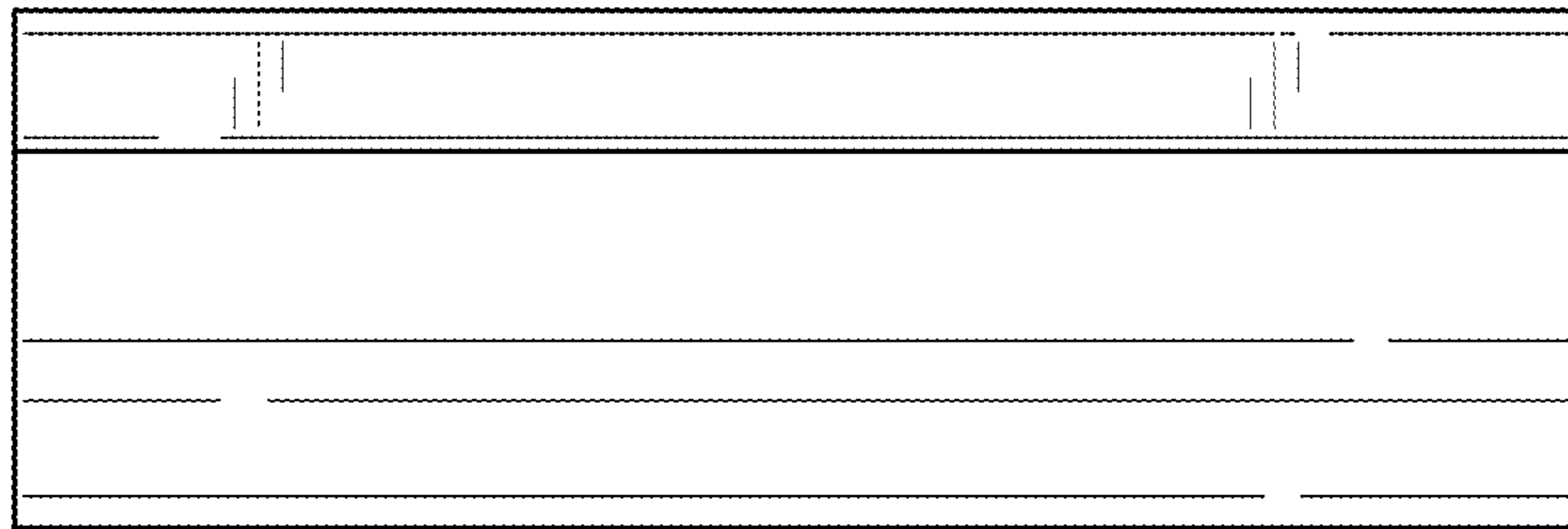


FIG. 4

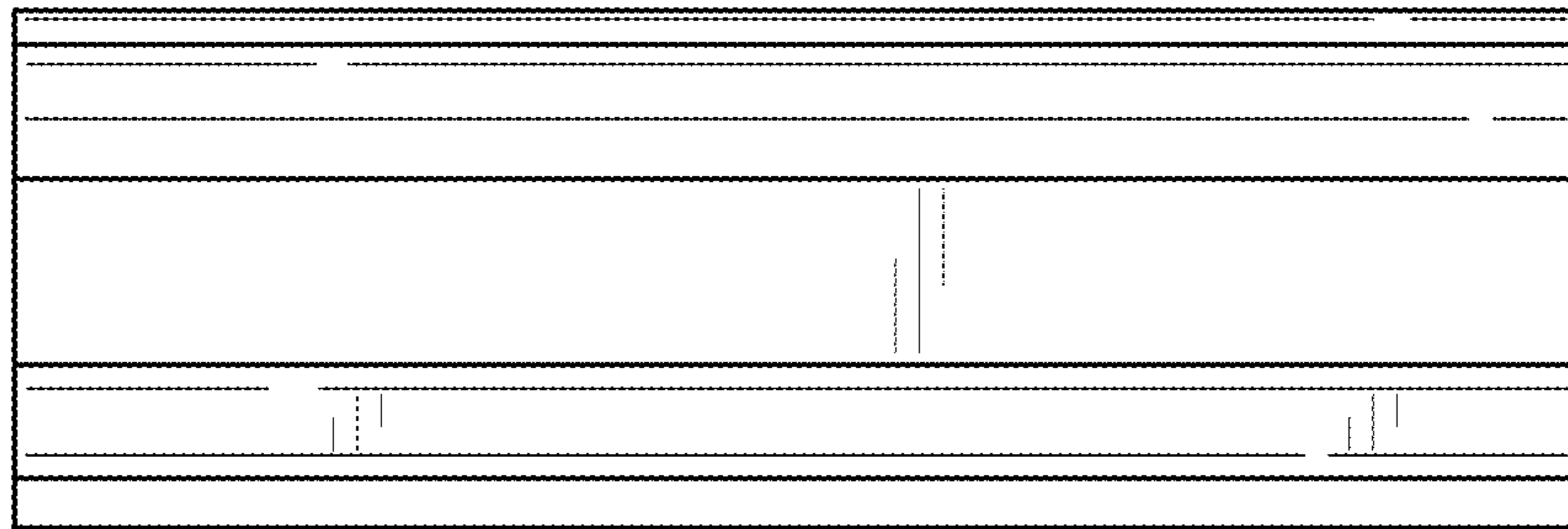


FIG. 5

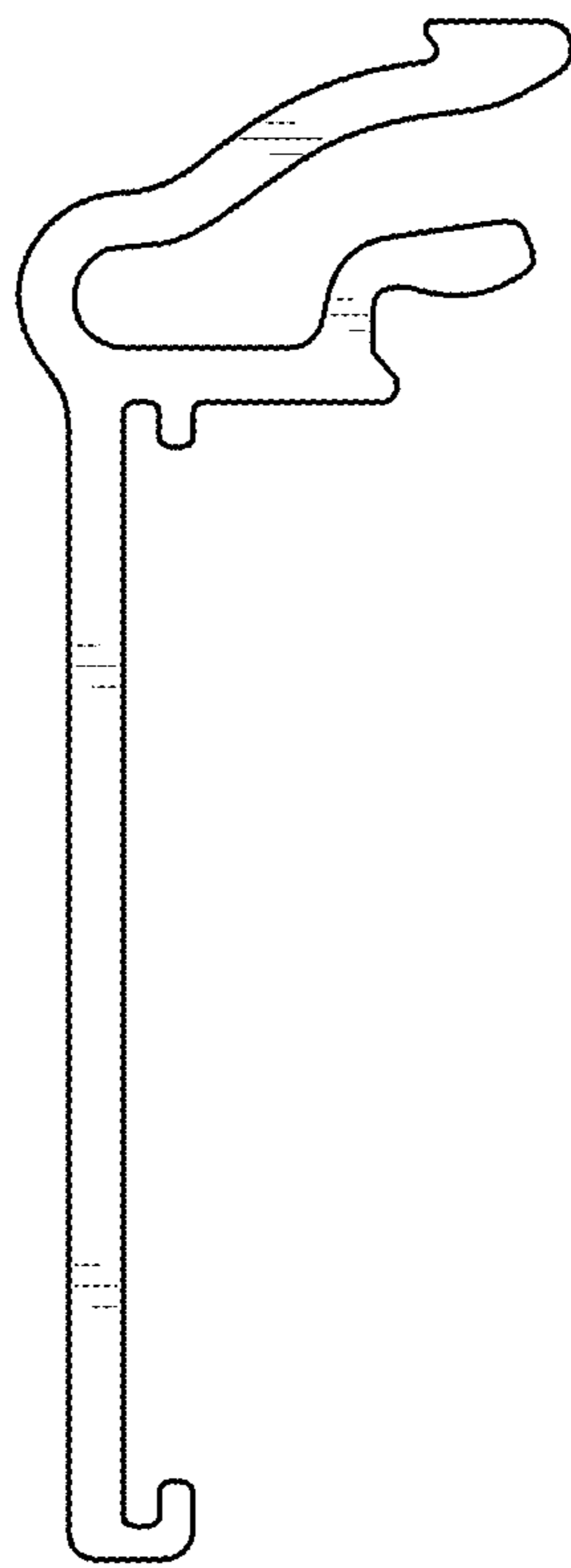


FIG. 6