



US00D871188S

(12) **United States Design Patent** (10) **Patent No.:** **US D871,188 S**
Kovacs (45) **Date of Patent:** **** Dec. 31, 2019**

- (54) **TOP BLOCK FOR A SNOW FENCE**
- (71) Applicant: **PMC Industries, Inc.**, Plainville, CT (US)
- (72) Inventor: **Tamas Kovacs**, Burlington, CT (US)
- (73) Assignee: **PMC INDUSTRIES, INC.**, Plainville, CT (US)
- (**) Term: **15 Years**
- (21) Appl. No.: **29/660,833**
- (22) Filed: **Aug. 22, 2018**

- 5,271,194 A * 12/1993 Drew E04D 13/10
248/231.71
- 6,688,047 B1 * 2/2004 McNichol E04D 13/10
52/25
- D536,243 S * 2/2007 McNichol E04D 13/10
D8/499
- 8,065,838 B2 * 11/2011 Hockman E04D 13/10
52/25
- 8,272,172 B2 * 9/2012 Li F24S 25/33
52/24
- D689,763 S * 9/2013 McCarthy E05D 1/04
D8/499
- 9,850,661 B2 * 12/2017 Kovacs E04D 13/10
- D835,980 S * 12/2018 Kovacs D8/499
- 2013/0168525 A1 * 7/2013 Haddock E04D 13/10
248/505
- 2016/0177984 A1 * 6/2016 Kovacs B25B 5/003
361/825

Related U.S. Application Data

- (60) Division of application No. 35/001,332, filed on Mar. 1, 2017 (U.S. filing date under 35 U.S.C. 384), and having an international filing date of Mar. 1, 2017, now Pat. No. Des. 835,980, which is a continuation of application No. 15/254,892, filed on Sep. 1, 2016, now Pat. No. 9,850,661.
- (51) **LOC (12) Cl.** **08-99**
- (52) **U.S. Cl.**
USPC **D8/99**
- (58) **Field of Classification Search**
USPC D8/499
CPC E04D 13/10; E04D 13/00
See application file for complete search history.

(56) **References Cited**

U.S. PATENT DOCUMENTS

- D270,516 S * 9/1983 Achille E04D 13/10
D8/354
- 4,571,897 A * 2/1986 Kerr E04D 3/28
52/13
- 4,594,829 A * 6/1986 Herrgord E05D 1/04
52/282.3

* cited by examiner

Primary Examiner — Robert M. Spear
(74) *Attorney, Agent, or Firm* — Damian Wasserbauer, Esq.; Wasserbauer Law LLC

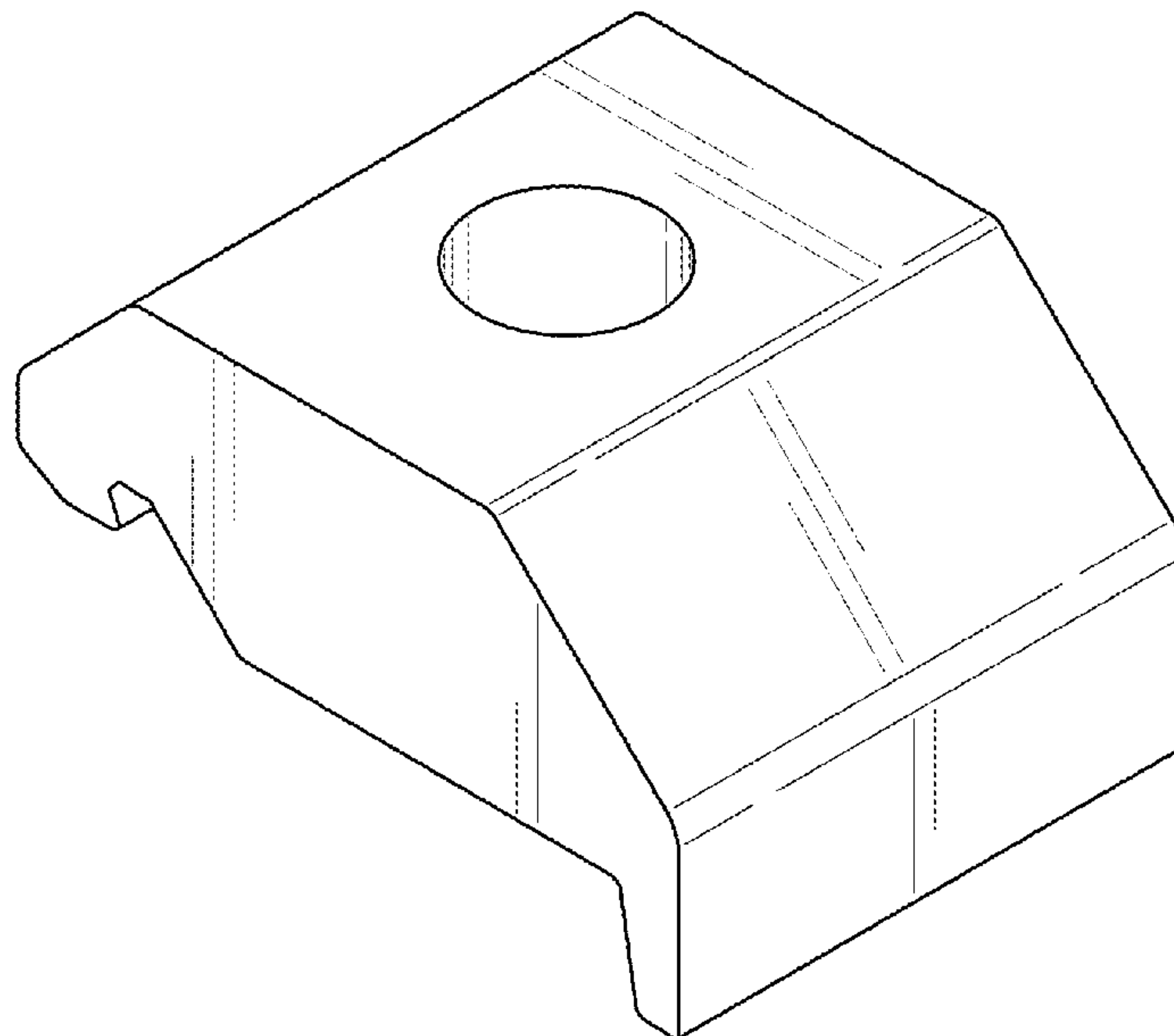
(57) **CLAIM**

The ornamental design for a top block for a snow fence, as shown and described.

DESCRIPTION

FIG. 1 is a perspective of a top block for a snow fence of the present invention;
FIG. 2 is a front view thereof;
FIG. 3 is a back view thereof;
FIG. 4 is a top view thereof;
FIG. 5 is a bottom view thereof; and,
FIG. 6 is a left side view thereof, the right side view is a mirror image of the left side view.
The parts shown by means of broken lines in the reproductions are not part of the claimed design.

1 Claim, 6 Drawing Sheets



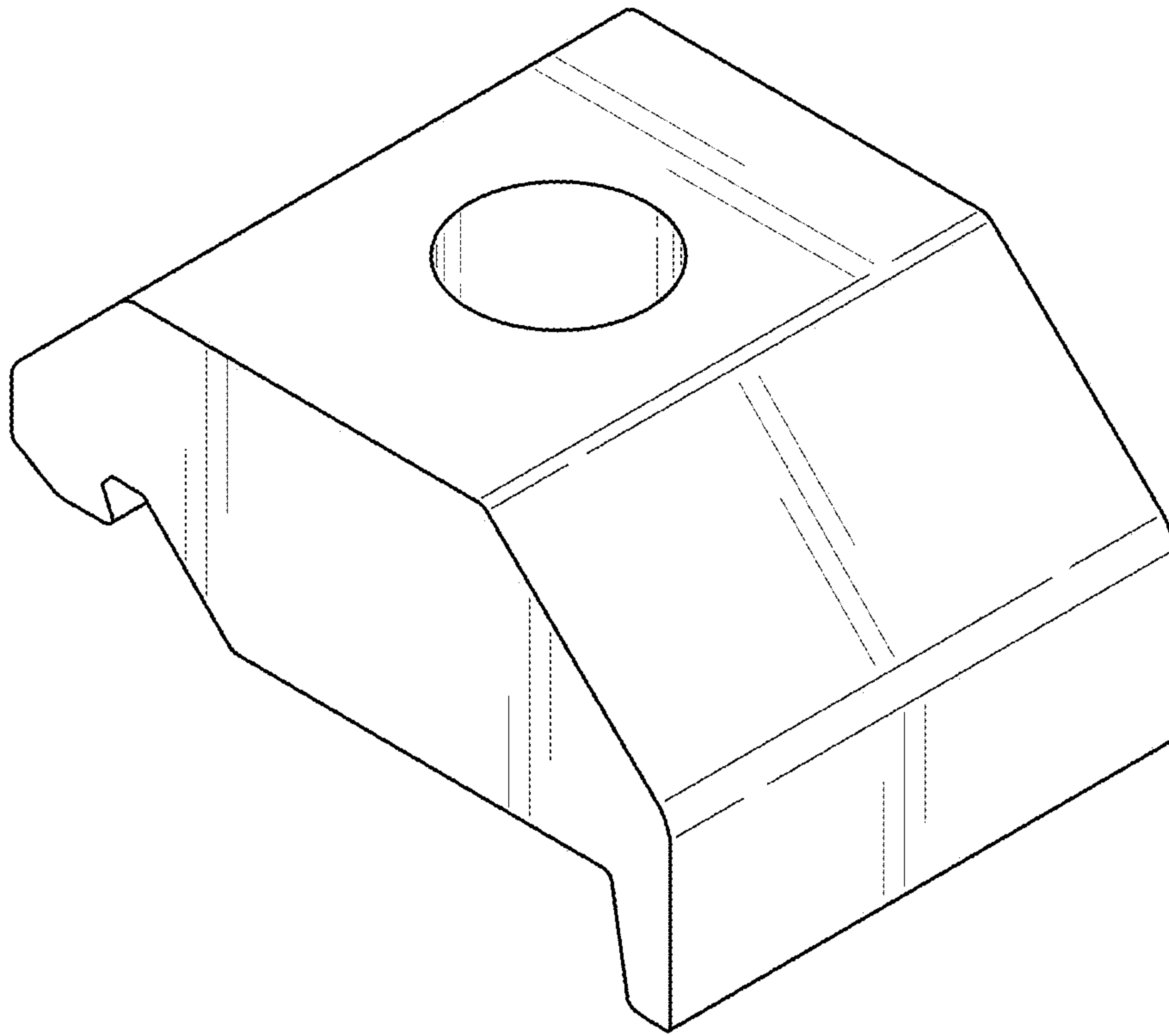


FIG. 1

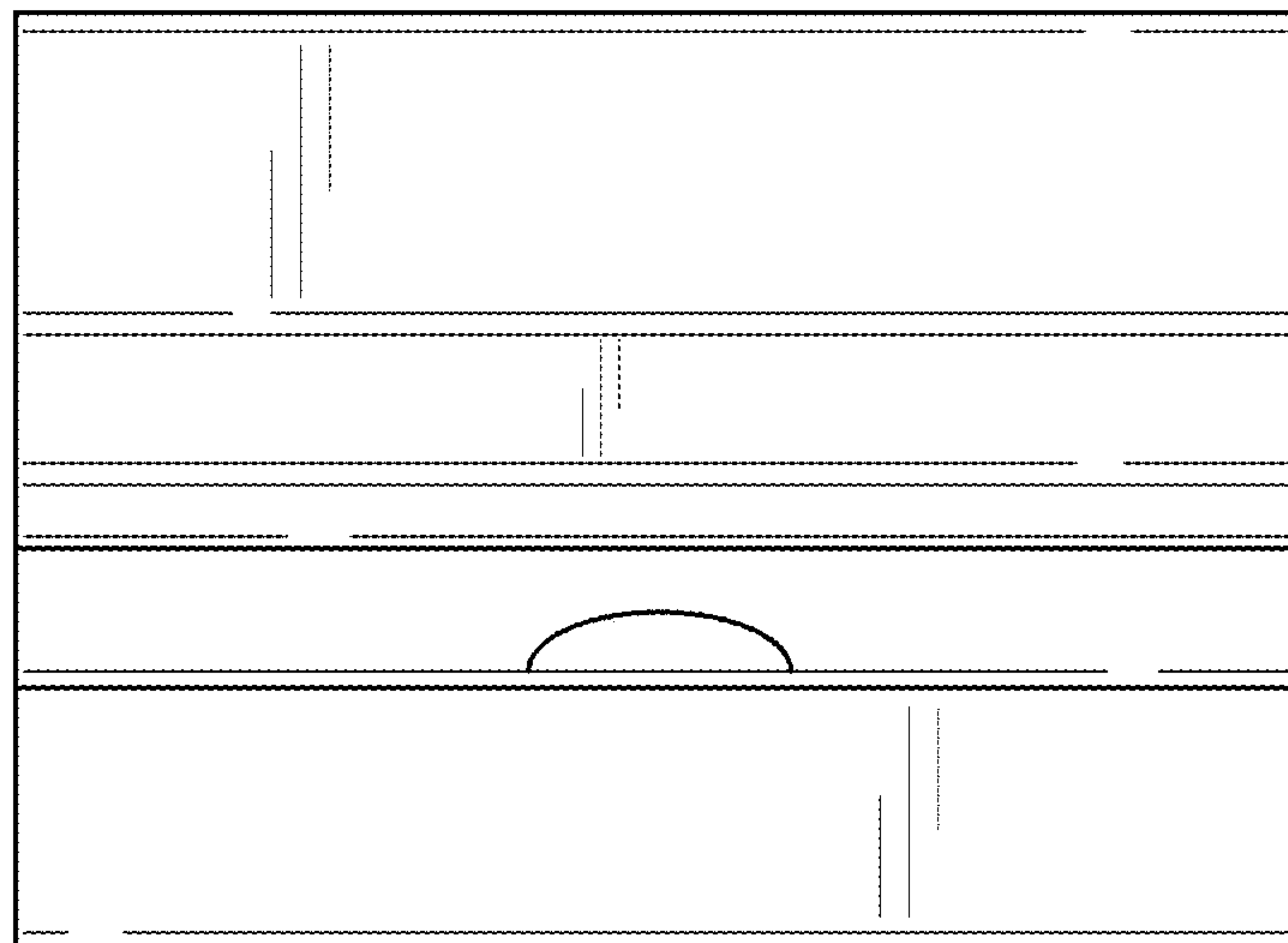


FIG. 2

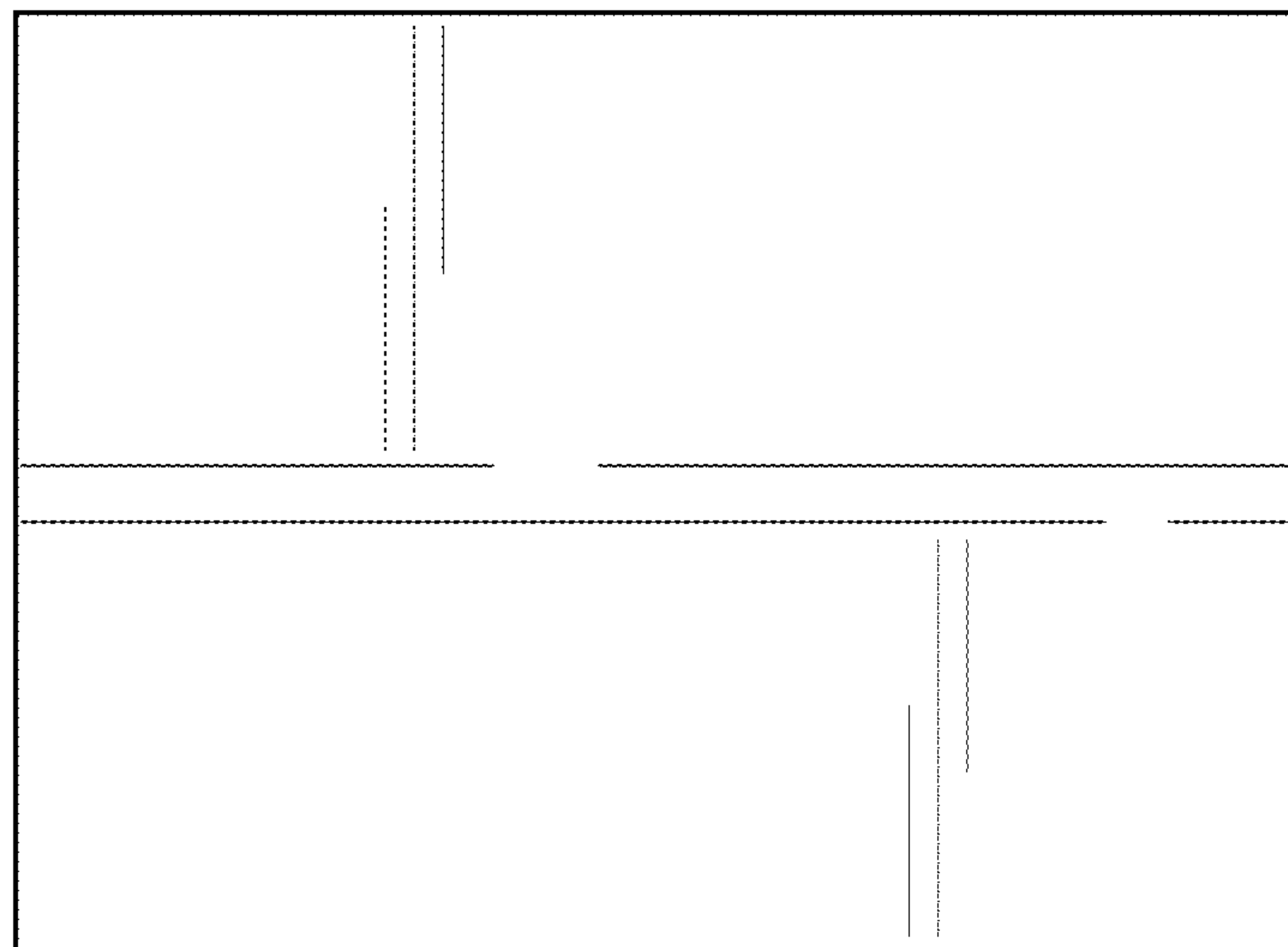


FIG. 3

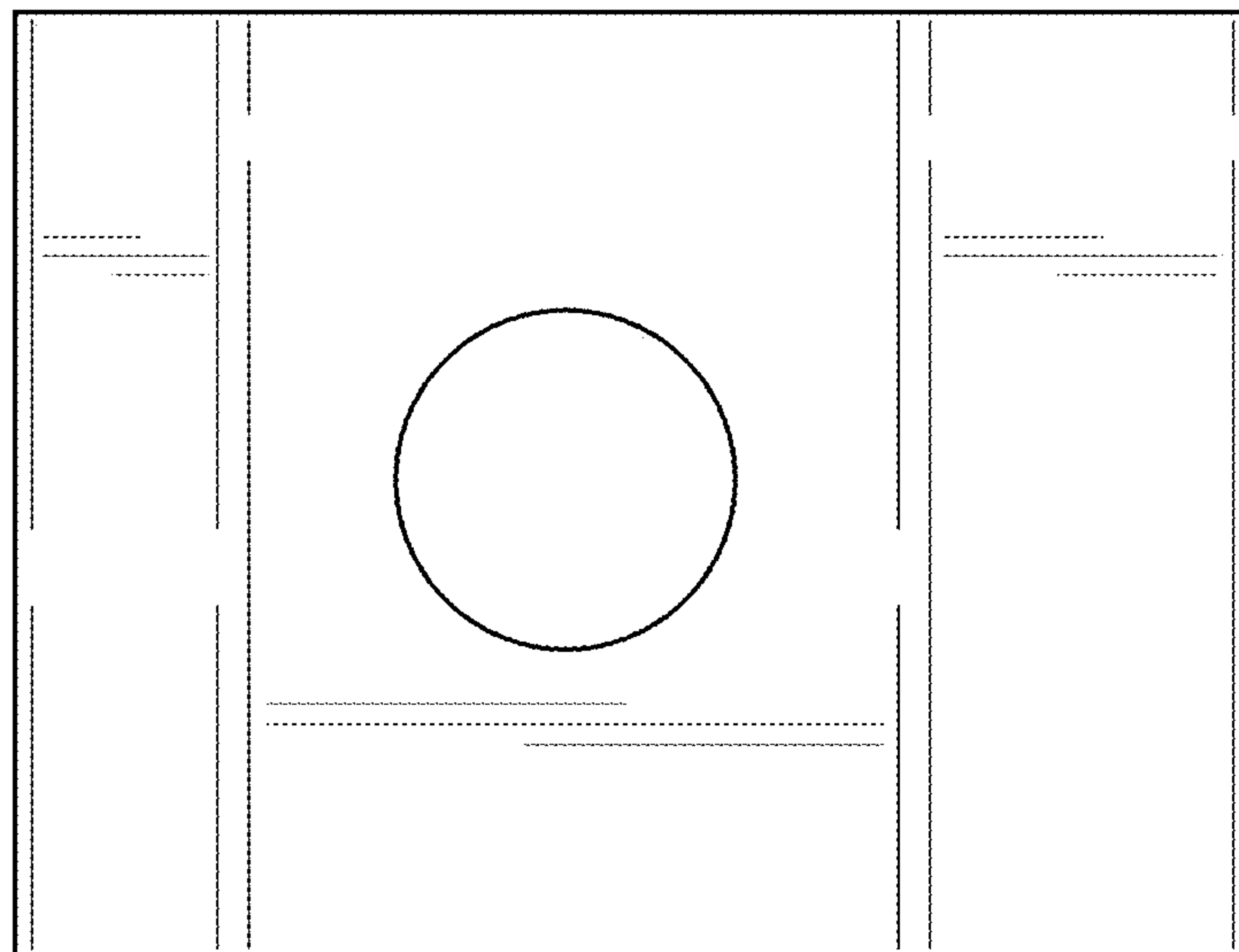


FIG. 4

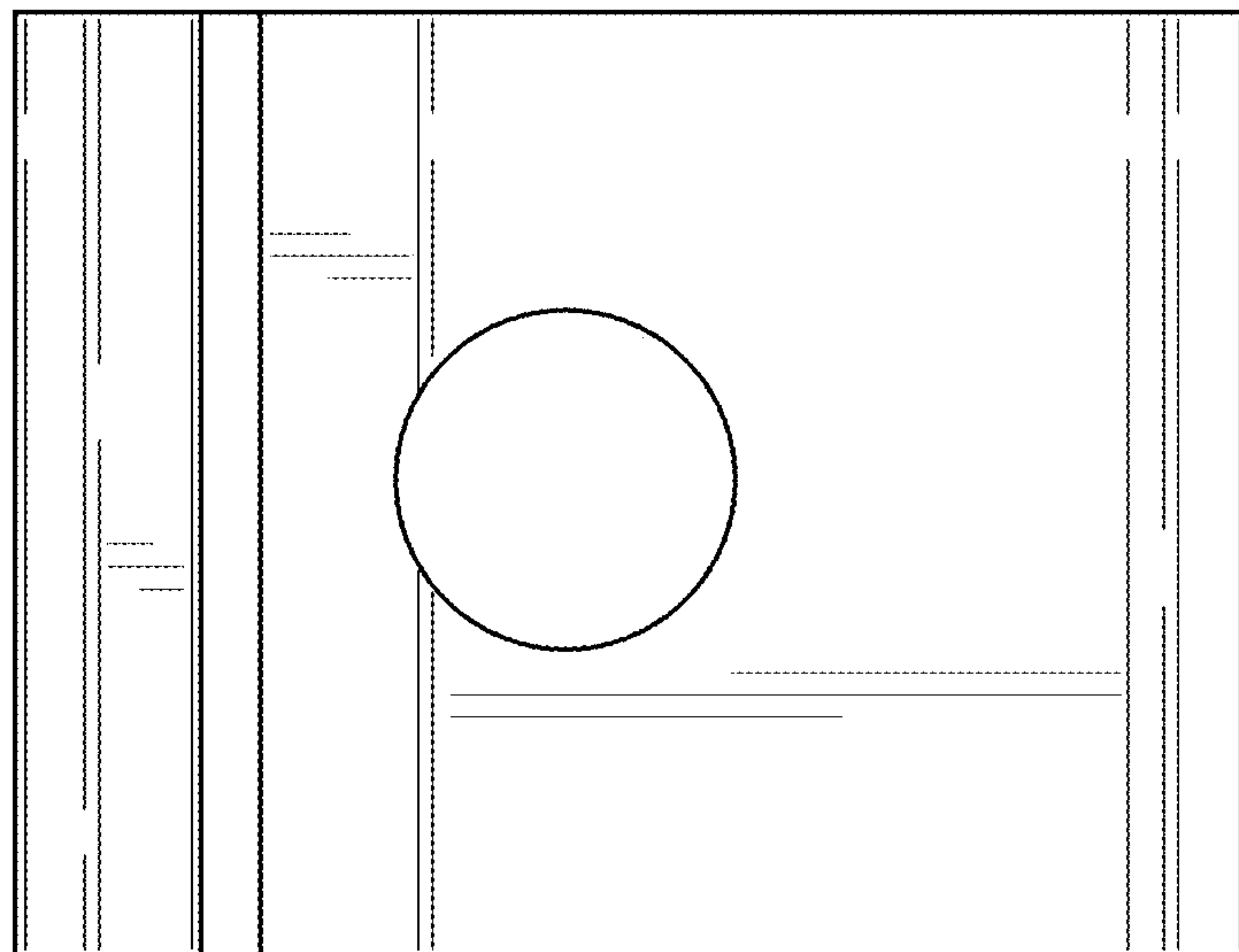


FIG. 5

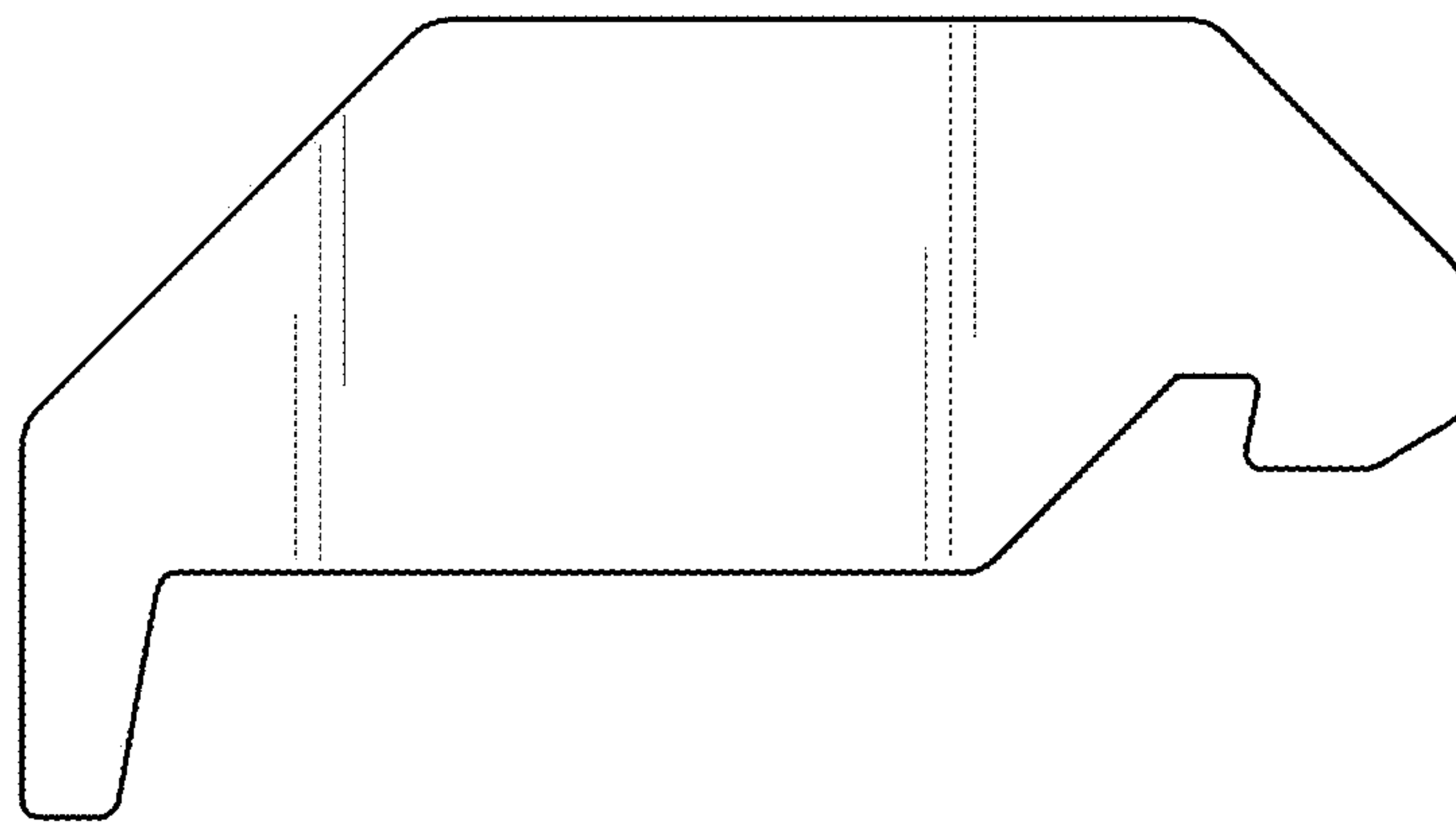


FIG. 6